



US00D668620S

(12) **United States Design Patent**
Convert et al.

(10) **Patent No.:** **US D668,620 S**

(45) **Date of Patent:** **** Oct. 9, 2012**

(54) **CONTACT**

(75) Inventors: **Nicolas Convert**, Gex (FR); **Jean-Marie Buchilly**, Bottens (CH); **Stéphane Rohrbach**, Ballens (CH)

(73) Assignee: **Fischer Connectors Holding SA**, St-Prex (CH)

(**) Term: **14 Years**

(21) Appl. No.: **29/405,148**

(22) Filed: **Oct. 28, 2011**

(30) **Foreign Application Priority Data**

Apr. 29, 2011 (CH) 138010

(51) **LOC (9) Cl.** **13-03**

(52) **U.S. Cl.** **D13/154; D13/147**

(58) **Field of Classification Search** D13/118, D13/120, 133, 147, 154, 184, 199; 439/82, 439/83, 567, 636, 660, 692, 844, 849, 850–852, 439/857, 862, 865–867, 870, 877, 884–891

See application file for complete search history.

(56) **References Cited**

U.S. PATENT DOCUMENTS

D421,421	S	*	3/2000	Kashio	D13/147
6,196,886	B1	*	3/2001	Sato	439/885
D528,985	S	*	9/2006	Peng	D13/147
D578,075	S	*	10/2008	Yang	D13/154
D589,899	S	*	4/2009	Huang et al.	D13/147
D596,128	S	*	7/2009	Hung et al.	D13/147
7,611,386	B1	*	11/2009	Zhang et al.	439/660
D617,741	S	*	6/2010	Fennell	D13/154
D648,682	S	*	11/2011	Huang	D13/147

* cited by examiner

Primary Examiner — Daniel Bui

(74) *Attorney, Agent, or Firm* — Nixon & Vanderhye P.C.

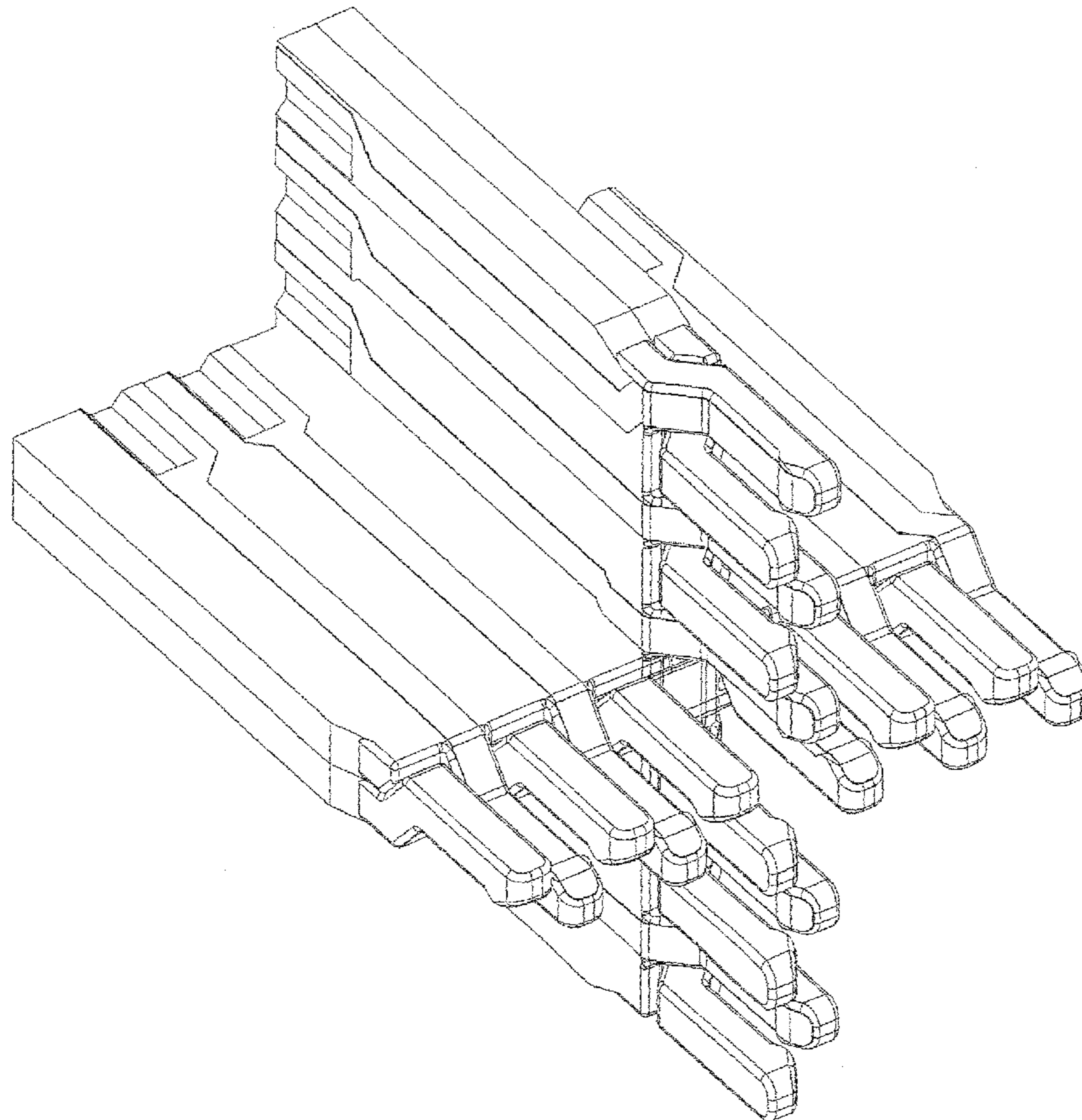
(57) **CLAIM**

The ornamental design for a contact, as shown and described.

DESCRIPTION

FIG. 1 is a top perspective view of a contact;
FIG. 2 is a front elevational view thereof;
FIG. 3 is a rear elevational view thereof;
FIG. 4 is a top plan view thereof;
FIG. 5 is a bottom plan view thereof;
FIG. 6 is a right elevational view thereof; and,
FIG. 7 is a left elevational view thereof.

1 Claim, 7 Drawing Sheets



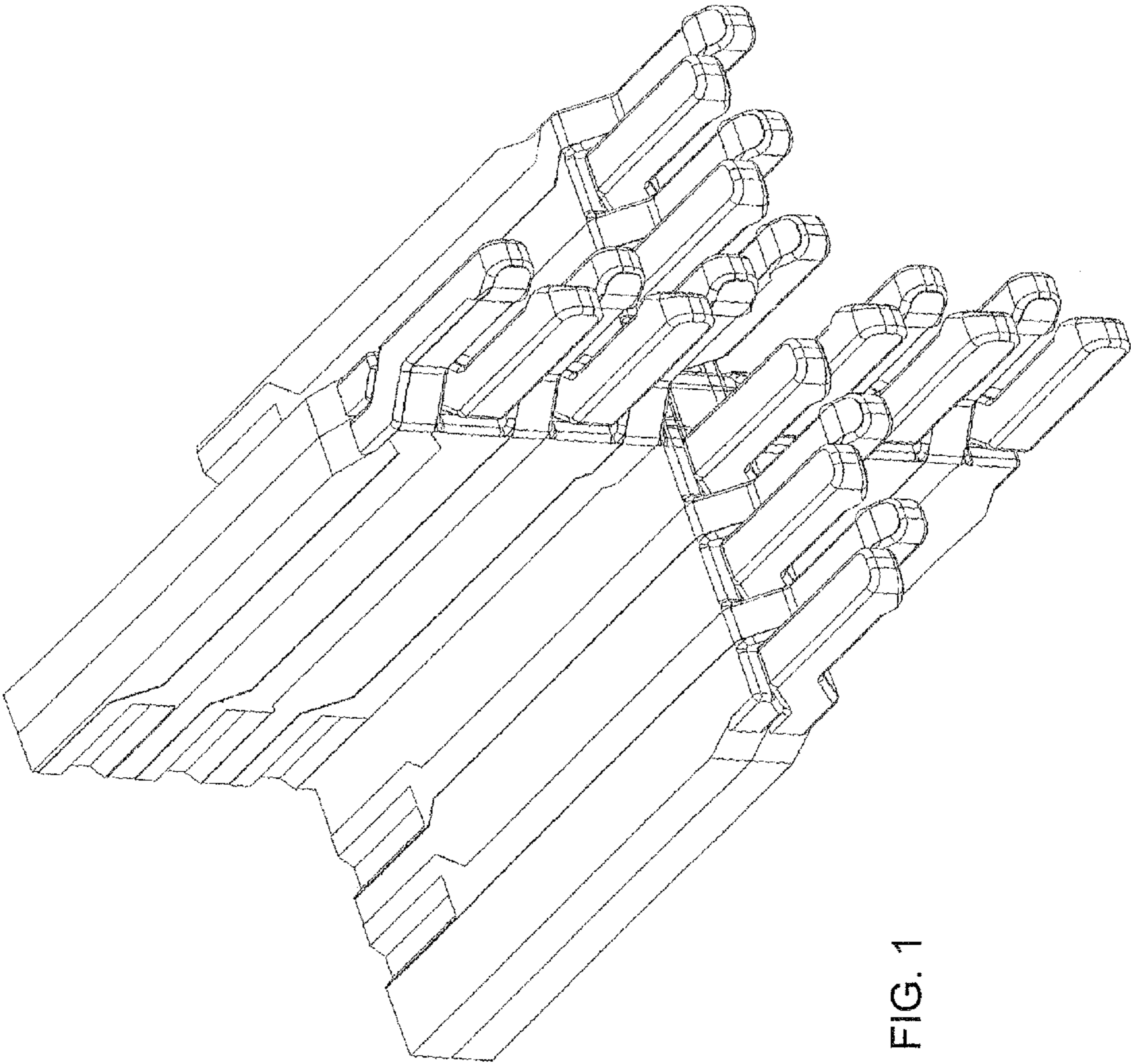


FIG. 1

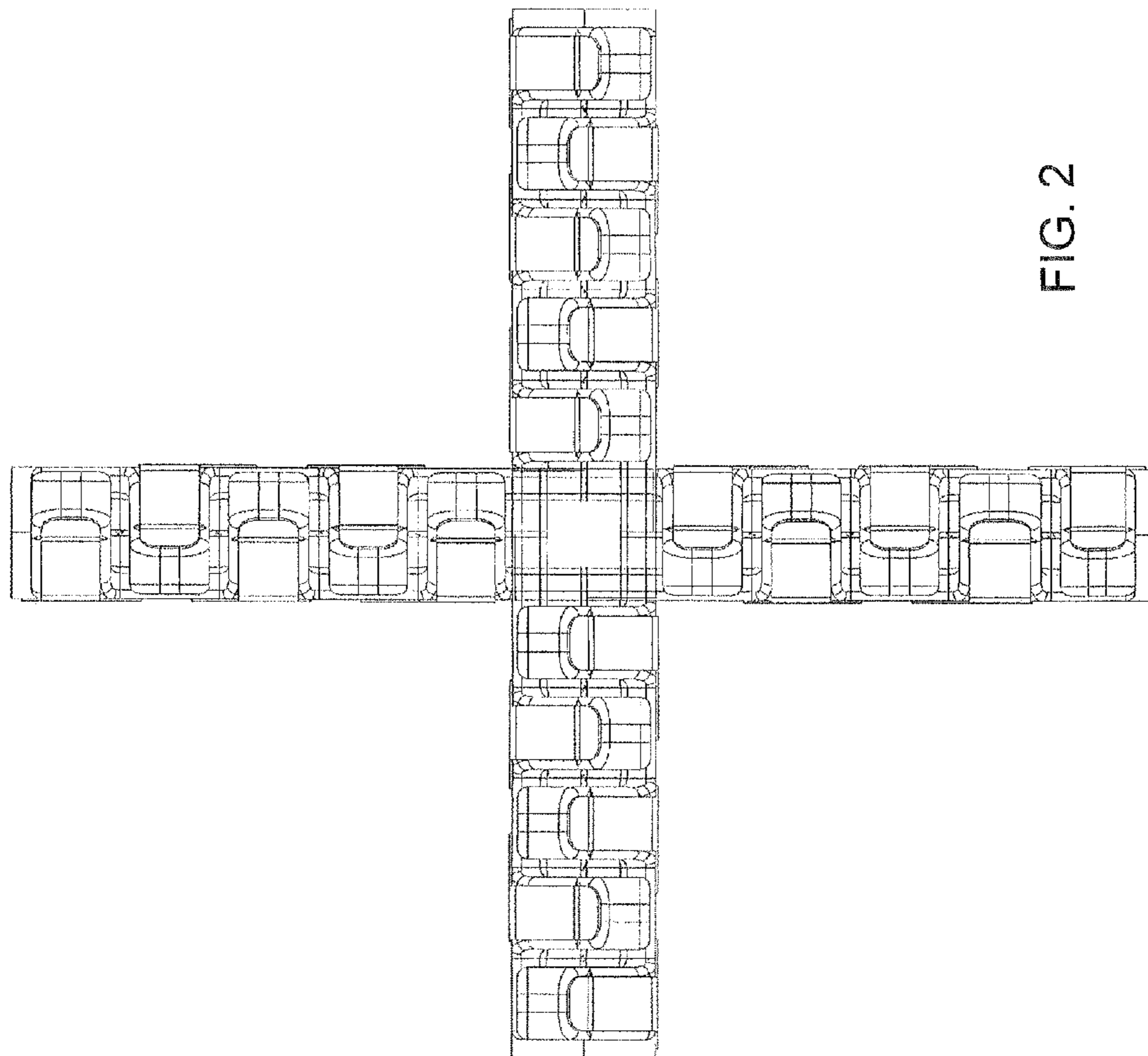


FIG. 2

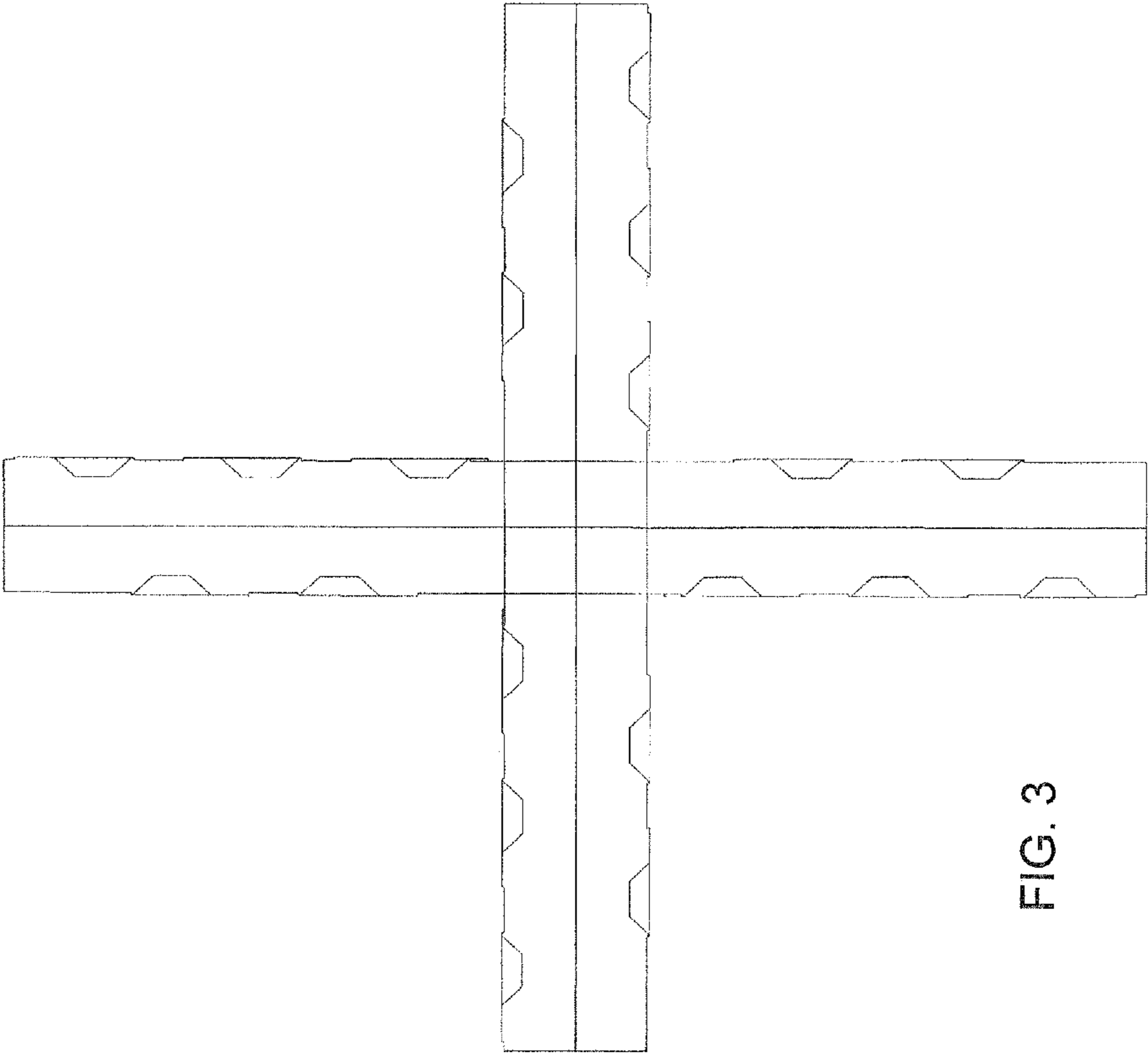


FIG. 3

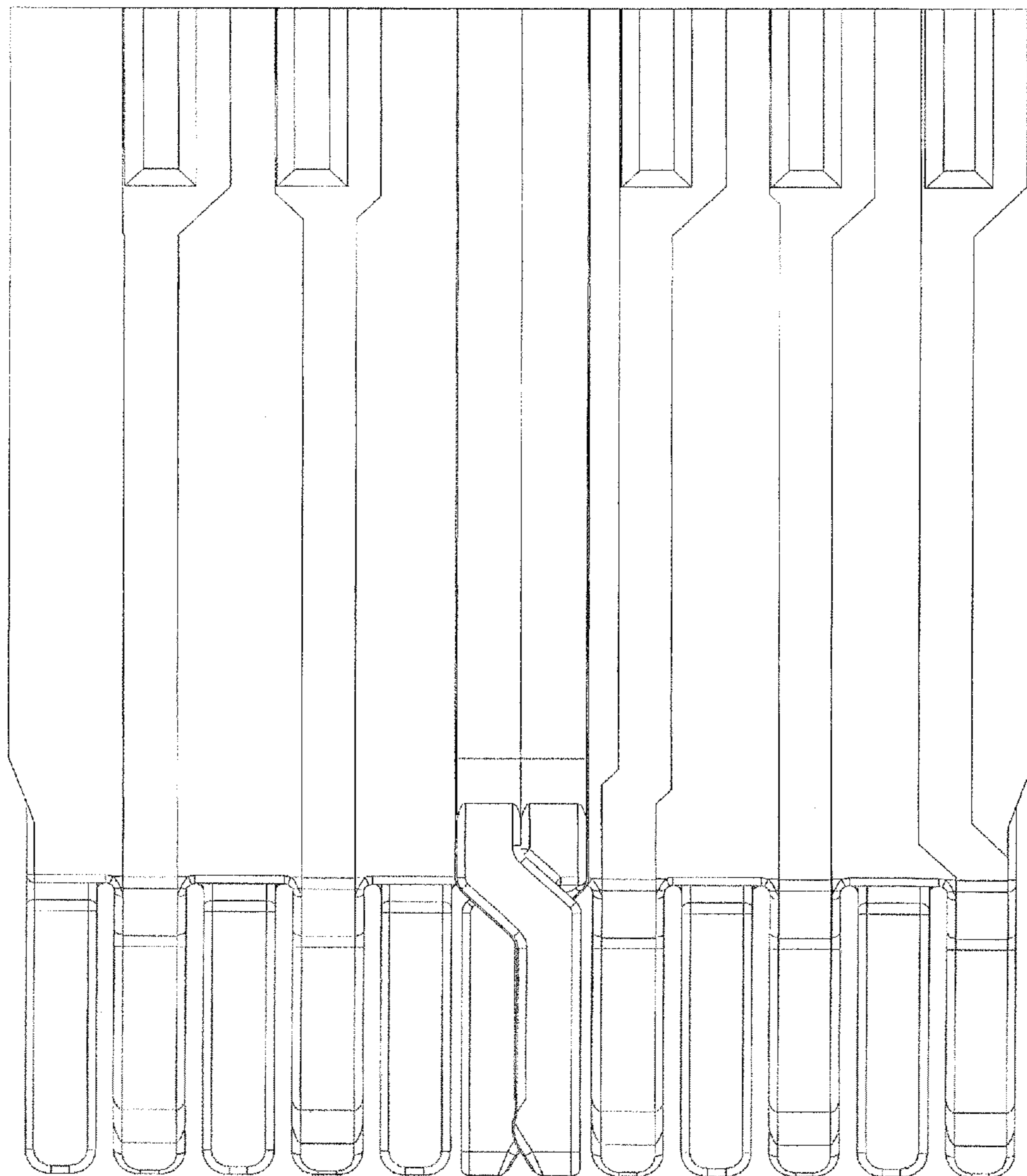


FIG. 4

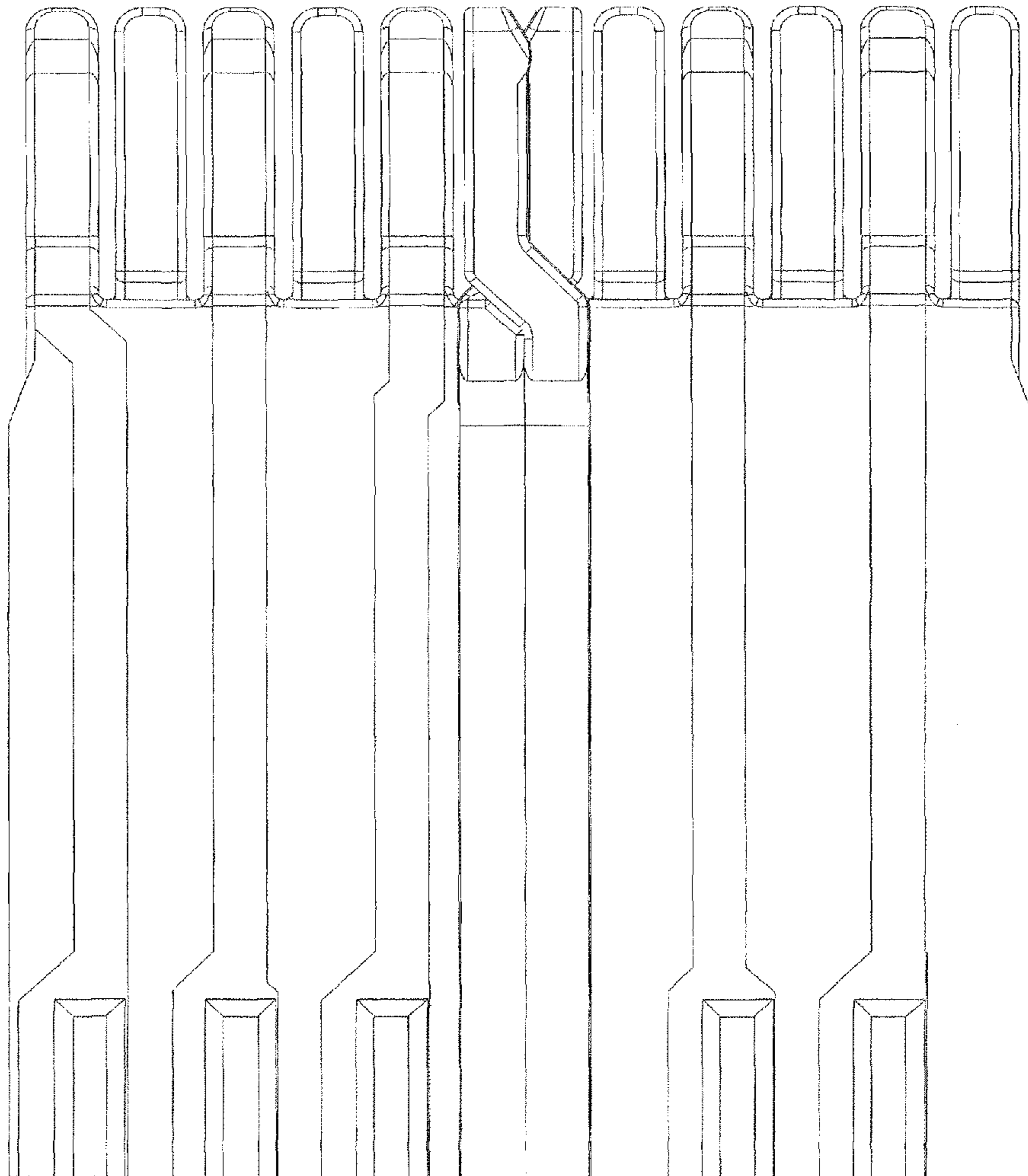


FIG. 5

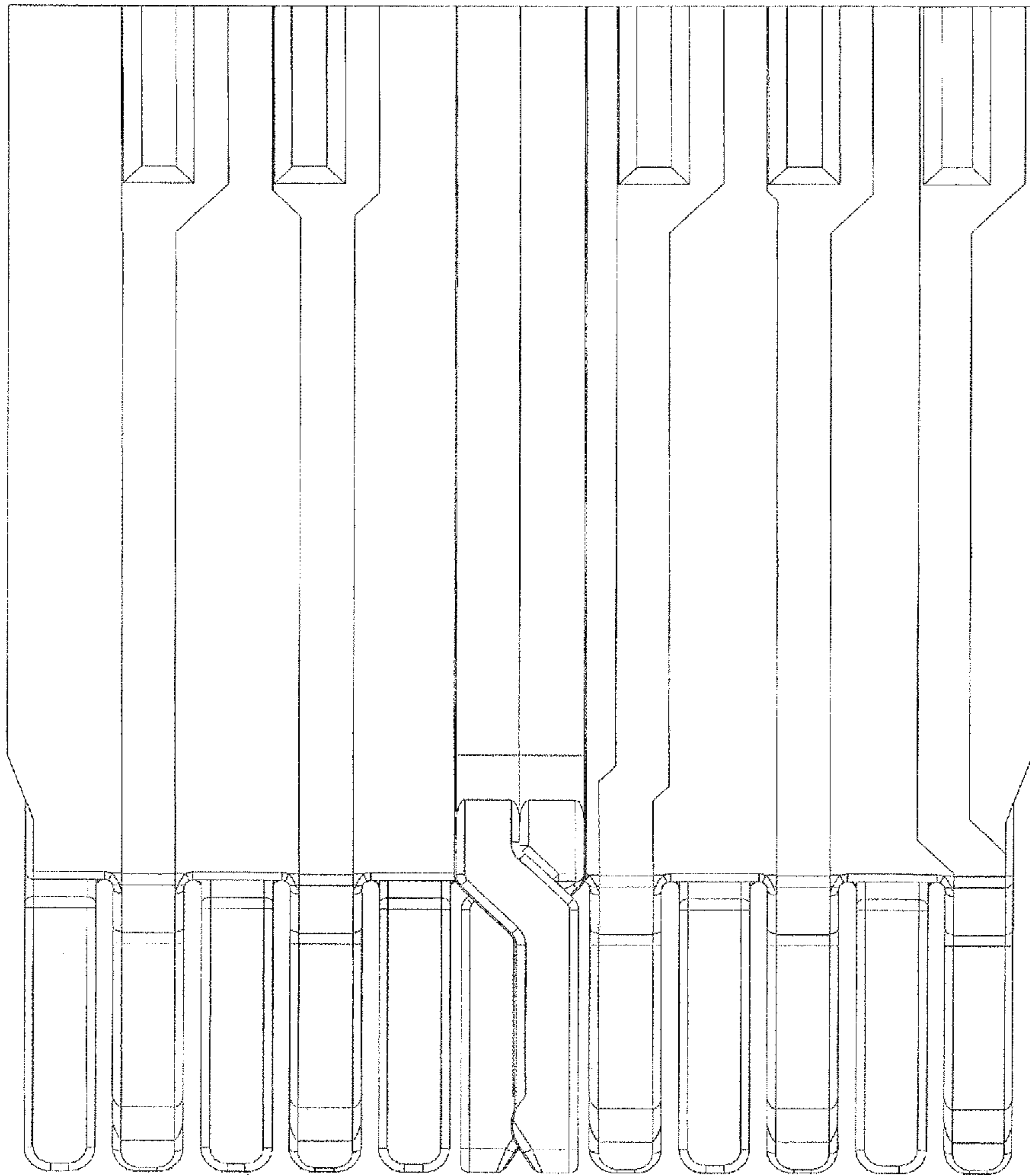


FIG. 6

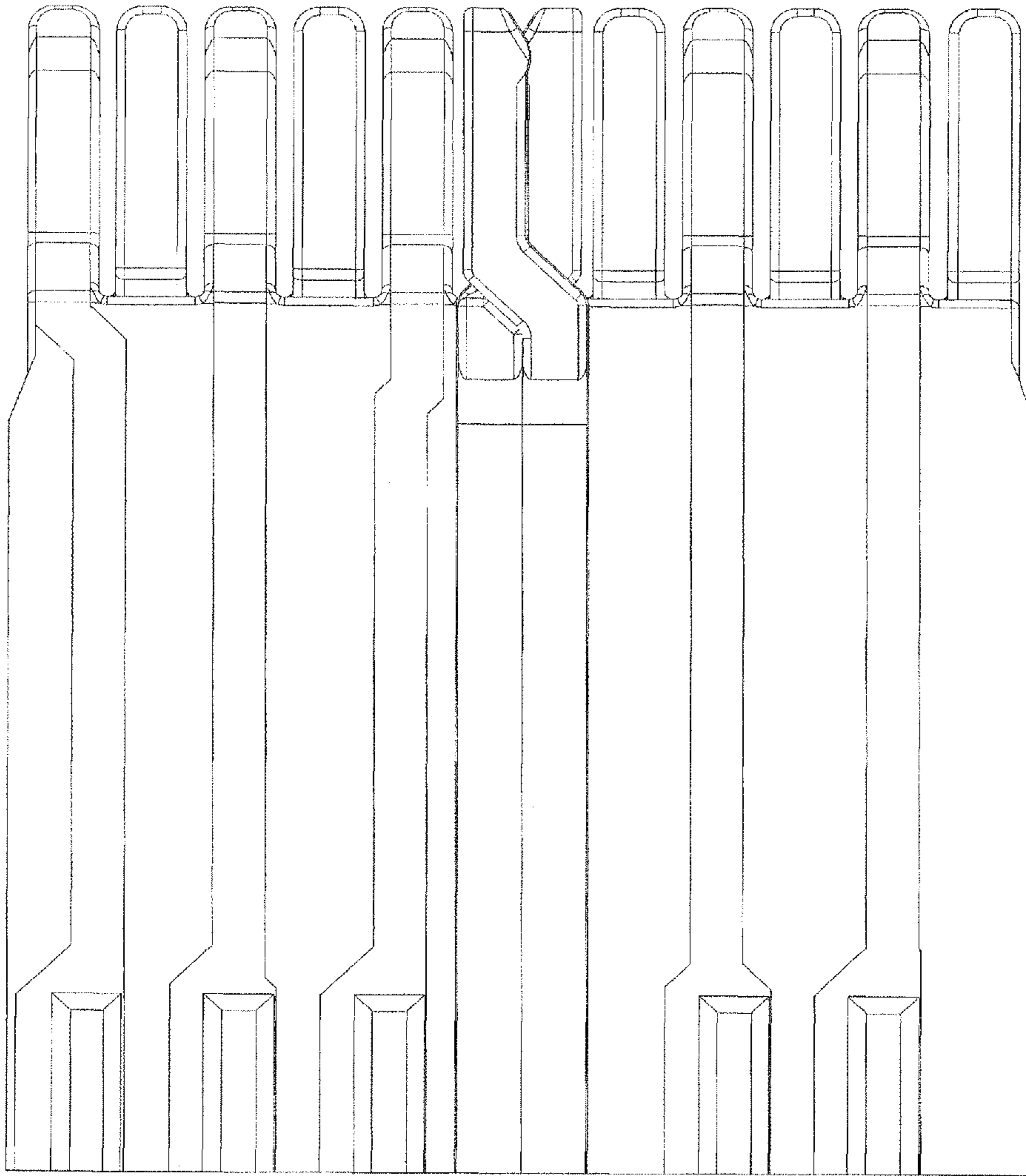


FIG. 7