



US00D668618S

(12) **United States Design Patent**
Smith

(10) **Patent No.:** **US D668,618 S**

(45) **Date of Patent:** **** Oct. 9, 2012**

(54) **ELECTRICAL COUPLING**

(75) **Inventor:** **Lawrence J. Smith**, Stamford, CT (US)

(73) **Assignee:** **Bridgeport Fittings, Inc.**, Stratford, CT (US)

(**) **Term:** **14 Years**

(21) **Appl. No.:** **29/374,252**

(22) **Filed:** **Jul. 18, 2011**

(51) **LOC (9) Cl.** **13-03**

(52) **U.S. Cl.** **D13/149**

(58) **Field of Classification Search** D13/133,
D13/148, 149, 151, 154, 199; 439/92, 142,
439/320, 535, 557; D8/330, 331, 382, 383,
D8/394, 395; 248/49, 74.1, 62, 63; 174/65 R,
174/65 G, 68.1, 68.3, 69, 71 R, 72 C
See application file for complete search history.

(56) **References Cited**

U.S. PATENT DOCUMENTS

D201,183 S *	5/1965	Sanders	D13/152
D339,792 S *	9/1993	Nardi et al.	D13/149
D339,793 S *	9/1993	Nardi et al.	D13/149
D360,188 S *	7/1995	Kiely et al.	D13/152

D380,197 S *	6/1997	Garcia et al.	D13/152
6,355,884 B1	3/2002	Gretz		
7,075,007 B2	7/2006	Auray et al.		
D635,520 S *	4/2011	Kiely	D13/149

* cited by examiner

Primary Examiner — Thomas Johannes

(74) *Attorney, Agent, or Firm* — Ware, Fressola, Van Der Sluys & Adolphson, LLP

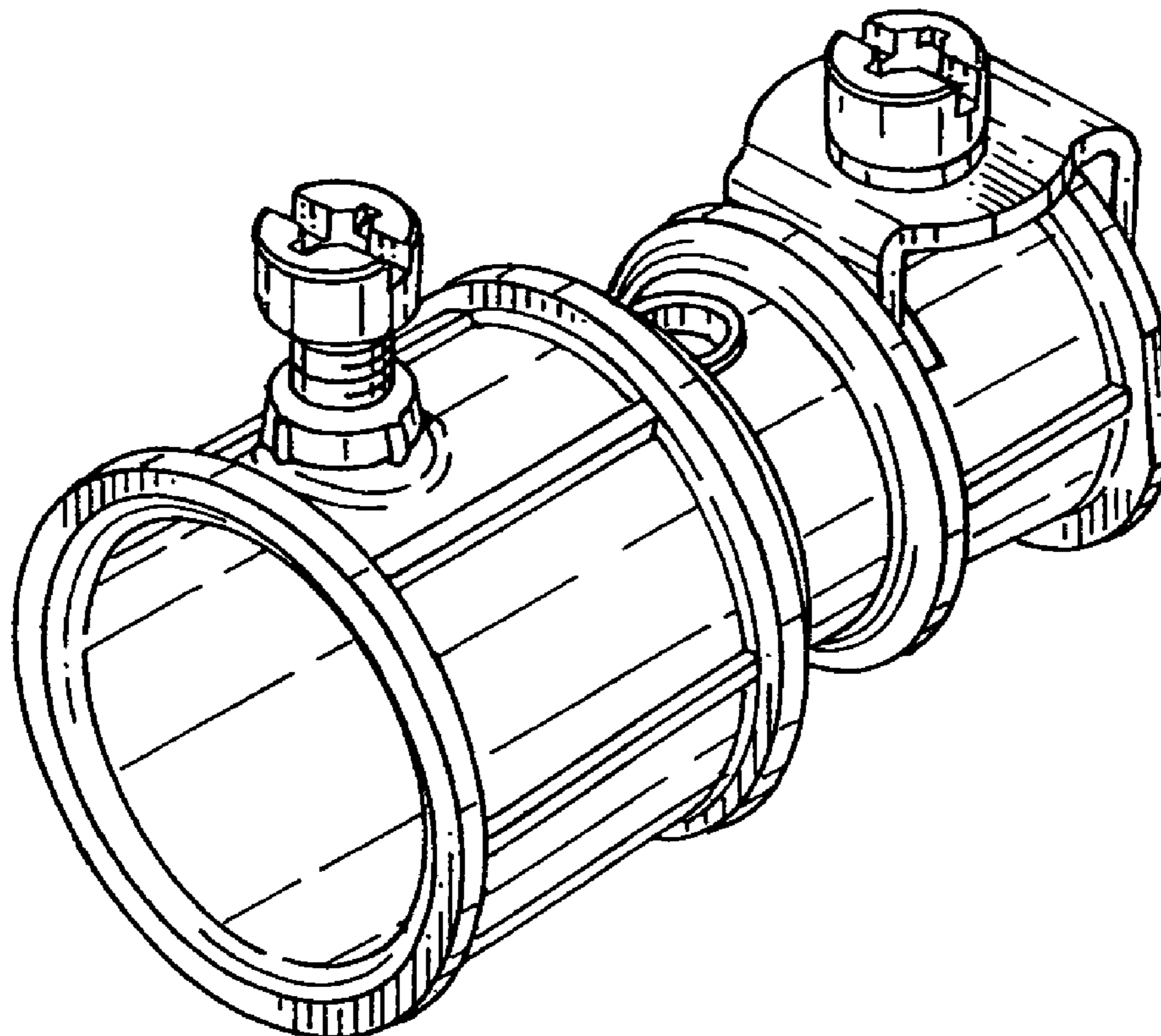
(57) **CLAIM**

The ornamental design for an electrical coupling, as shown and described.

DESCRIPTION

FIG. 1 is a front perspective view of an electrical coupling showing my new design;
FIG. 2 is a right side view thereof, the left side being a mirror image thereto;
FIG. 3 is a rear view thereof;
FIG. 4 is a front view thereof;
FIG. 5 is a top plan view thereof;
FIG. 6 is a bottom plan view thereof; and,
FIG. 7 is a cross-sectional view thereof taken along line 7-7 of FIG. 4.

1 Claim, 2 Drawing Sheets



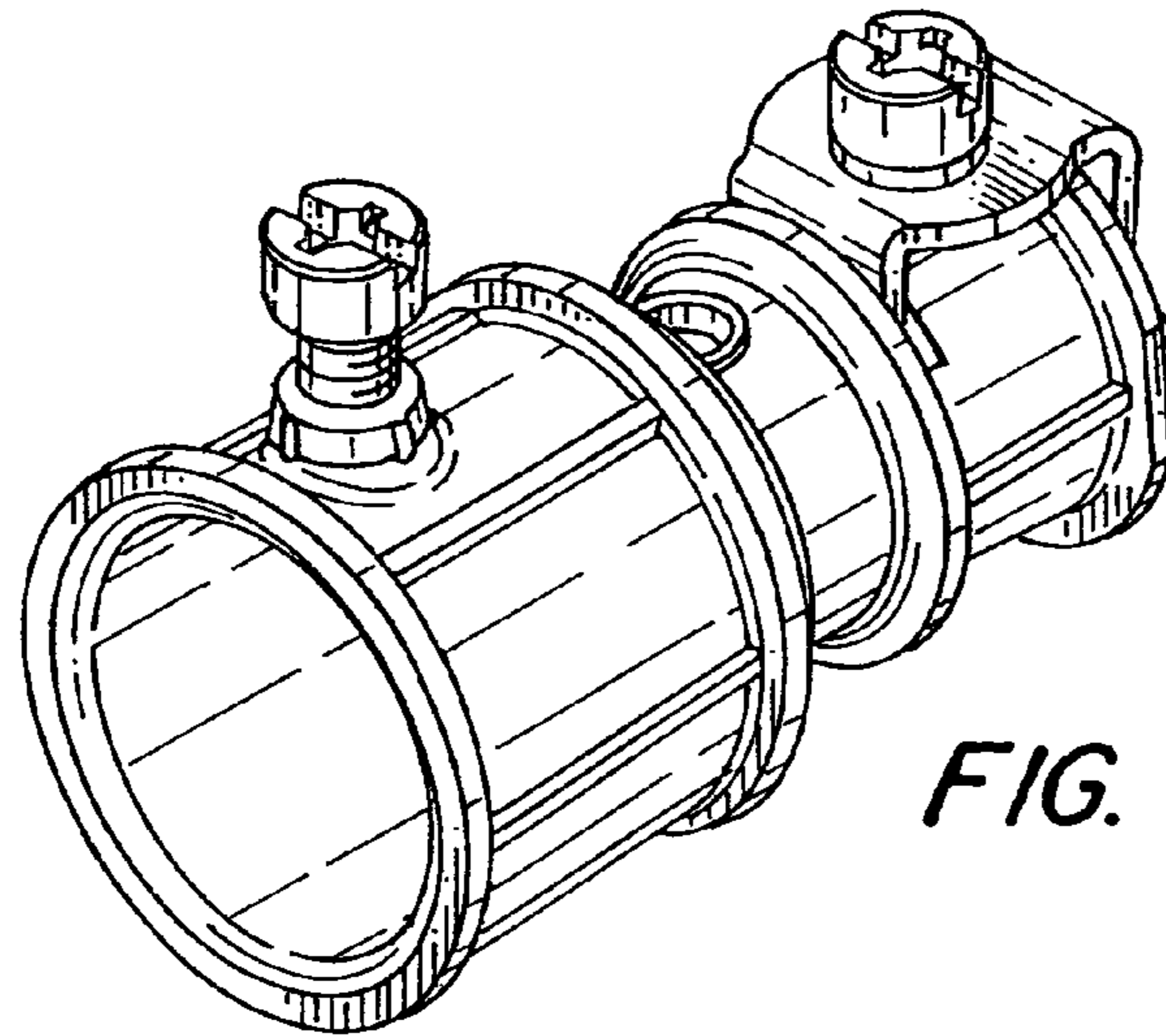


FIG. 1

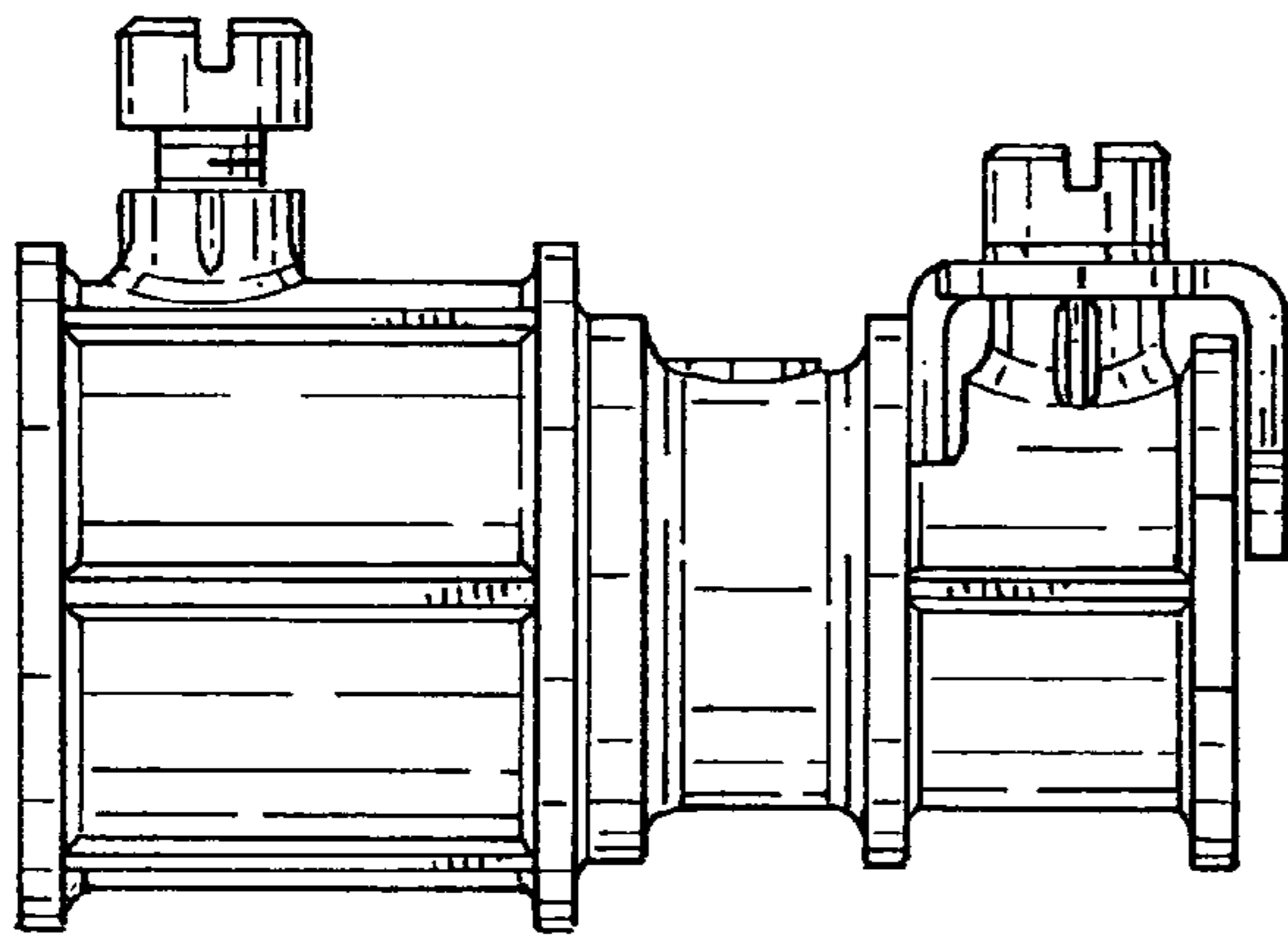


FIG. 2

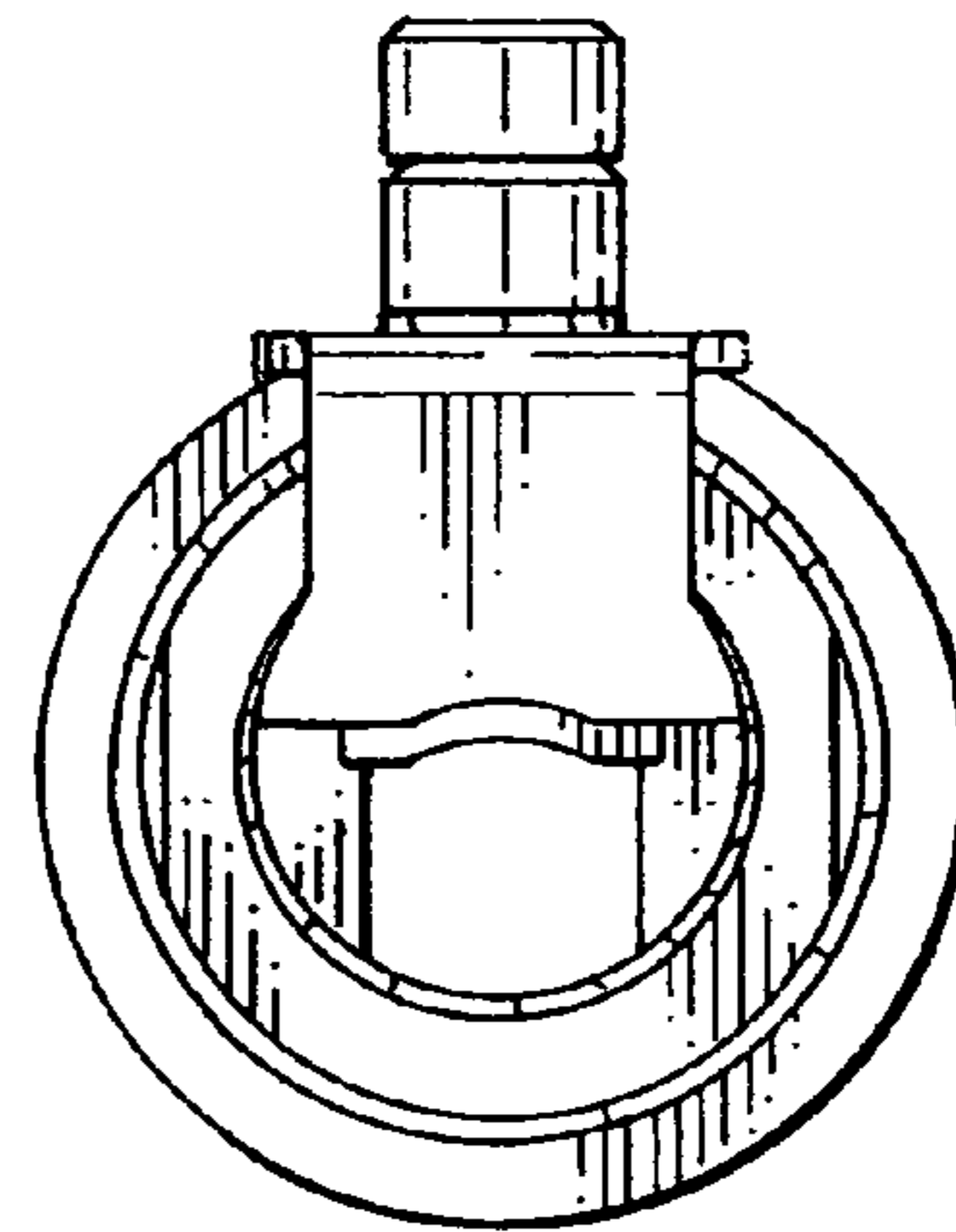


FIG. 3

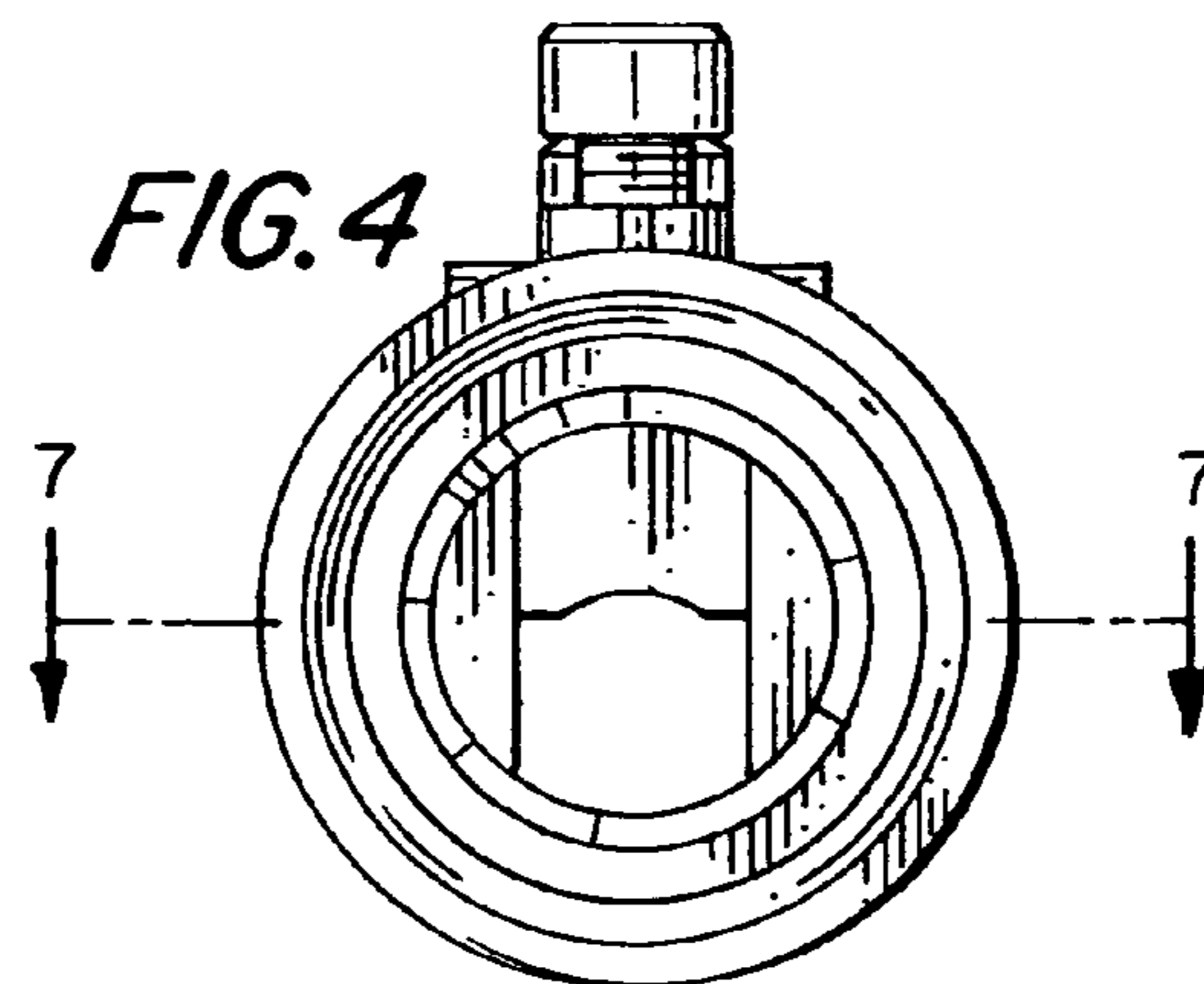


FIG. 4

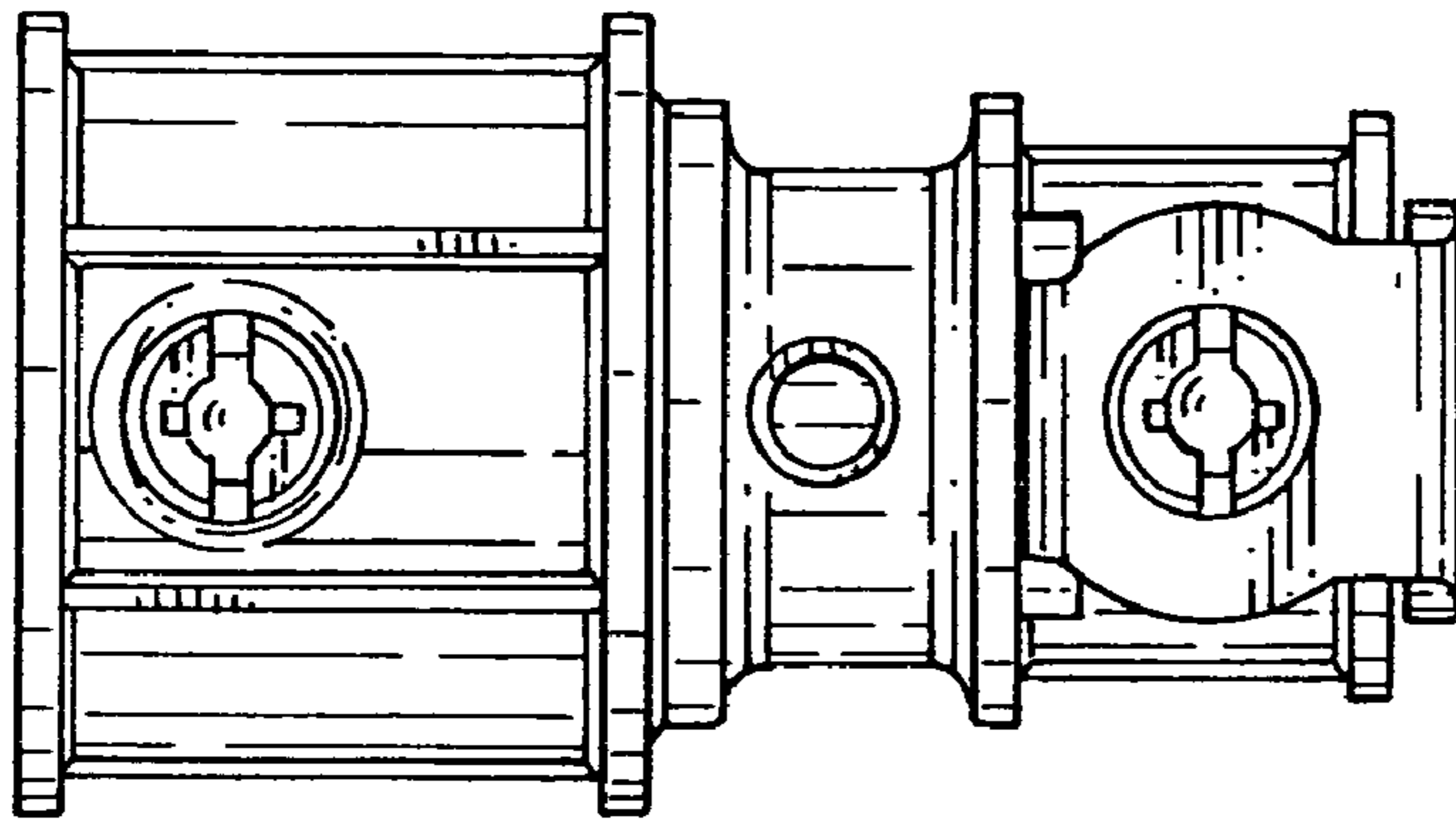


FIG. 5

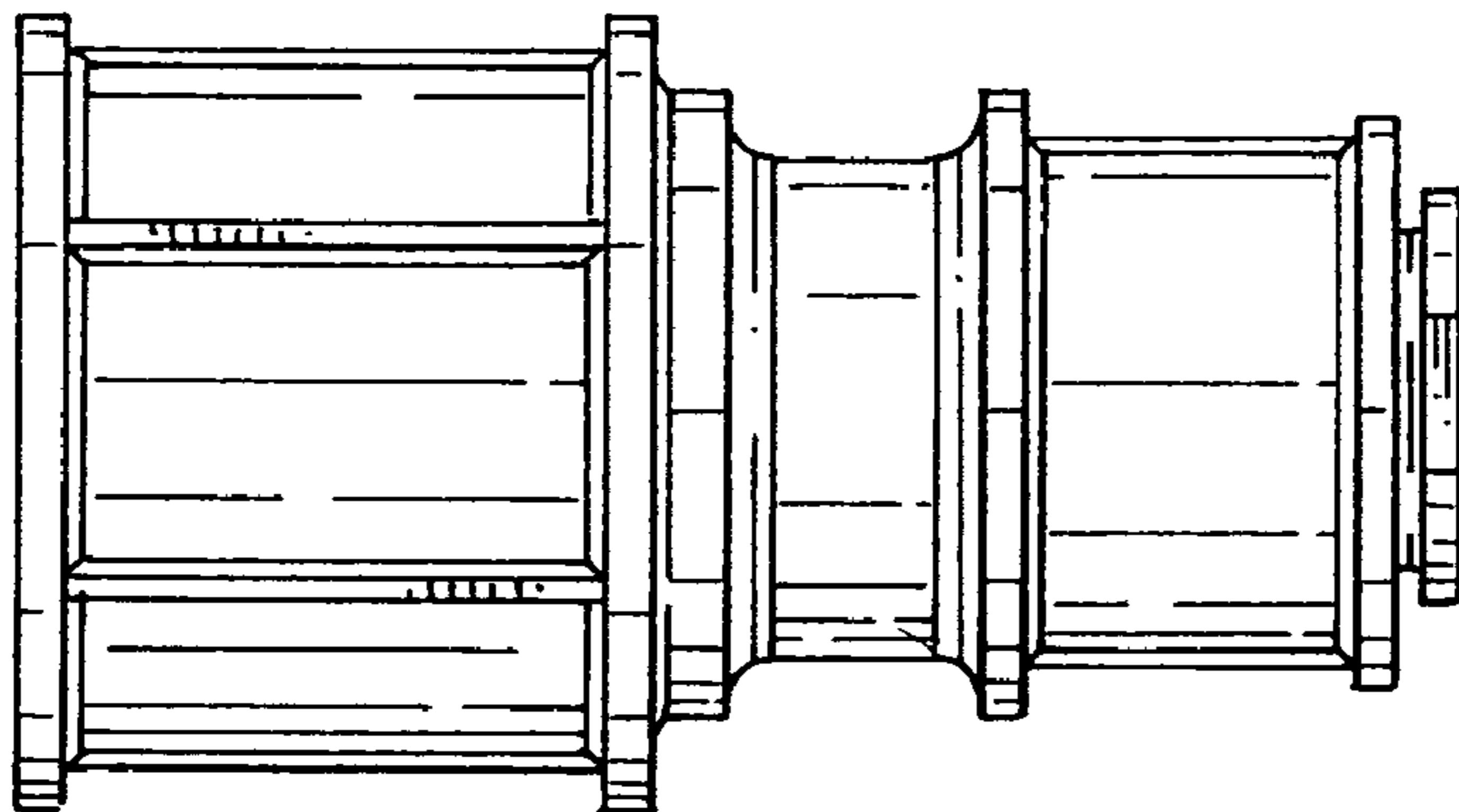


FIG. 6

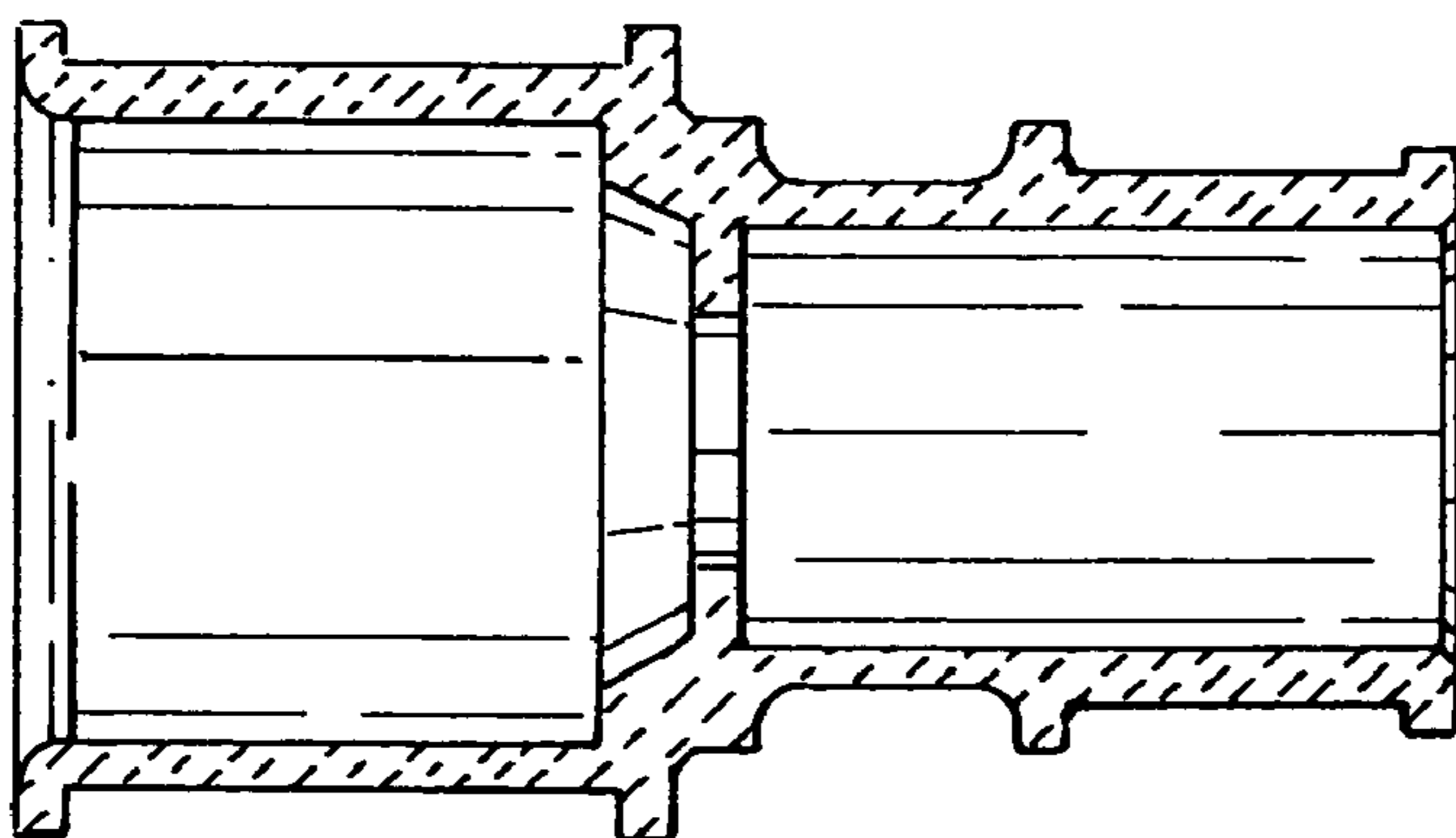


FIG. 7