

US00D668617S

(12) **United States Design Patent**
Kiely

(10) **Patent No.:** **US D668,617 S**
(45) **Date of Patent:** **** Oct. 9, 2012**

(54) **ELECTRICAL CONNECTOR**

(75) Inventor: **Kenneth M. Kiely**, Milford, CT (US)

(73) Assignee: **Bridgeport Fittings, Inc.**, Stratford, CT (US)

(**) Term: **14 Years**

(21) Appl. No.: **29/373,009**

(22) Filed: **Feb. 15, 2011**

6,140,582 A	10/2000	Sheehan	
6,262,369 B1	7/2001	Marik et al.	
6,916,988 B1 *	7/2005	Auray et al.	174/665
7,057,107 B2	6/2006	Auray et al.	
7,390,980 B1	6/2008	Gretz	
D581,877 S	12/2008	Kiely	
D596,578 S	7/2009	Kiely et al.	
D600,649 S	9/2009	Smith	
D600,650 S	9/2009	Smith	
D600,651 S	9/2009	Smith	
D601,094 S	9/2009	Smith	
D635,520 S *	4/2011	Kiely	D13/149
D648,279 S *	11/2011	Kiely	D13/149
2003/0040214 A1	2/2003	Kiely	

* cited by examiner

Related U.S. Application Data

(63) Continuation-in-part of application No. 29/348,398, filed on Dec. 30, 2009, now Pat. No. Des. 635,520.

(51) **LOC (9) Cl.** **13-03**

(52) **U.S. Cl.** **D13/149**

(58) **Field of Classification Search** D13/133, D13/148, 149, 151, 154, 199; 439/92, 142, 439/320, 535, 557; D8/330, 331, 382, 383, D8/394, 395; 248/49, 74.1, 62, 63; 174/65 R, 174/65 G, 68.1, 68.3, 69, 71 R, 72 C
See application file for complete search history.

Primary Examiner — Thomas Johannes

(74) *Attorney, Agent, or Firm* — Ware, Fressola, Van Der Sluys & Adolphson LLP

(57) **CLAIM**

The ornamental design for an electrical connector, as shown and described.

DESCRIPTION

FIG. 1 is a rear perspective view of the electrical connector of my design;
FIG. 2 is a front elevational view thereof;
FIG. 3 is a rear elevational view thereof;
FIG. 4 is a side elevational view thereof, the opposite side being a mirror image thereof;
FIG. 5 is a top plan view thereof; and,
FIG. 6 is a bottom plan view thereof.
The broken line portion of the figure drawings is included to show an unclaimed screw only and forms no part of the claimed design.

(56) **References Cited**

U.S. PATENT DOCUMENTS

2,643,136 A	6/1953	Schesser
3,174,776 A	3/1965	Komel
D336,282 S	6/1993	Guginsky
D339,793 S	9/1993	Nardi et al.
D360,188 S	7/1995	Kiely et al.
D380,197 S	6/1997	Garcia et al.
5,647,613 A	7/1997	Marik et al.
5,775,739 A	7/1998	Gretz
D404,362 S	1/1999	Auray et al.
5,894,109 A	4/1999	Marik

1 Claim, 1 Drawing Sheet

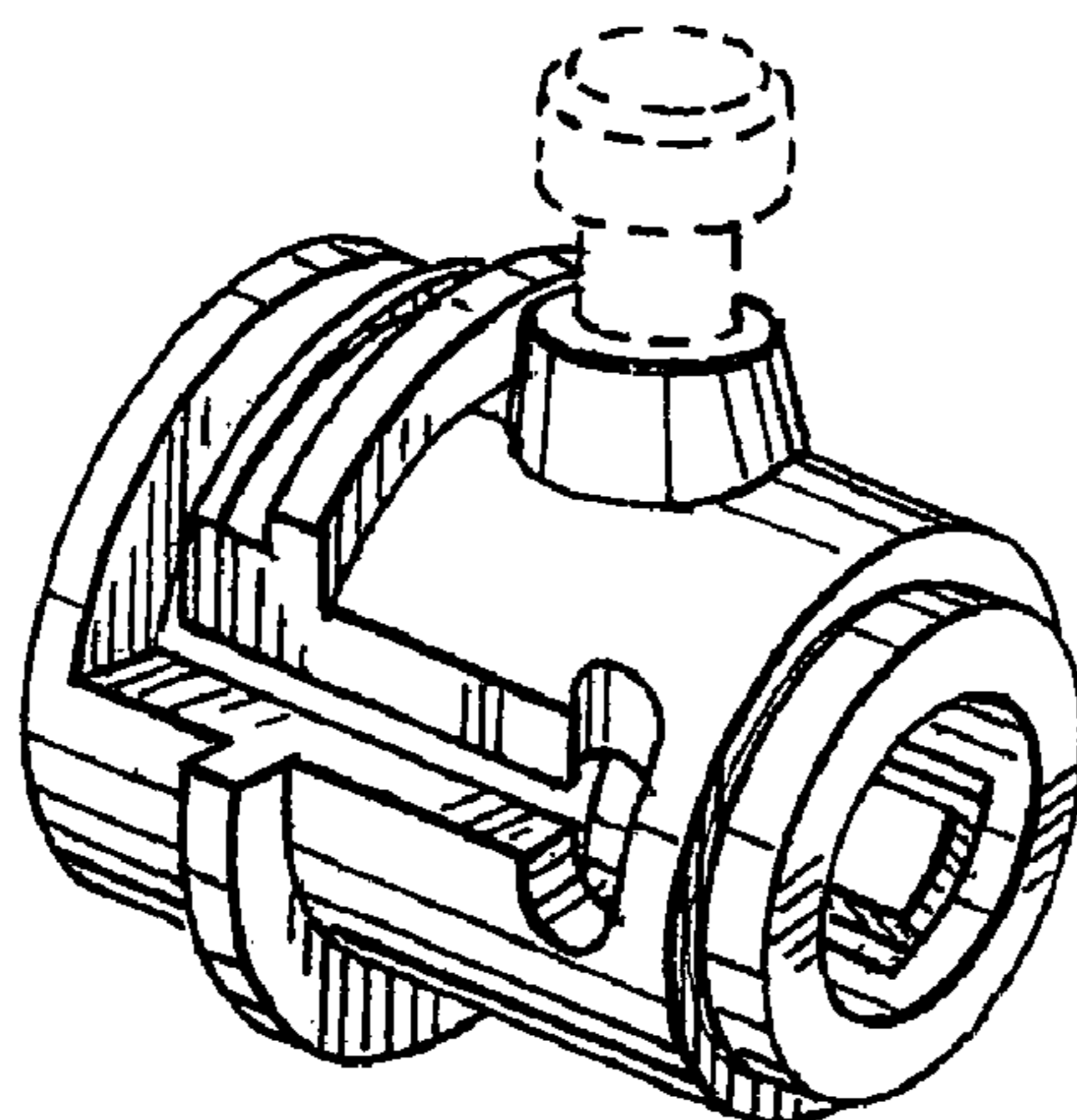


FIG. 1

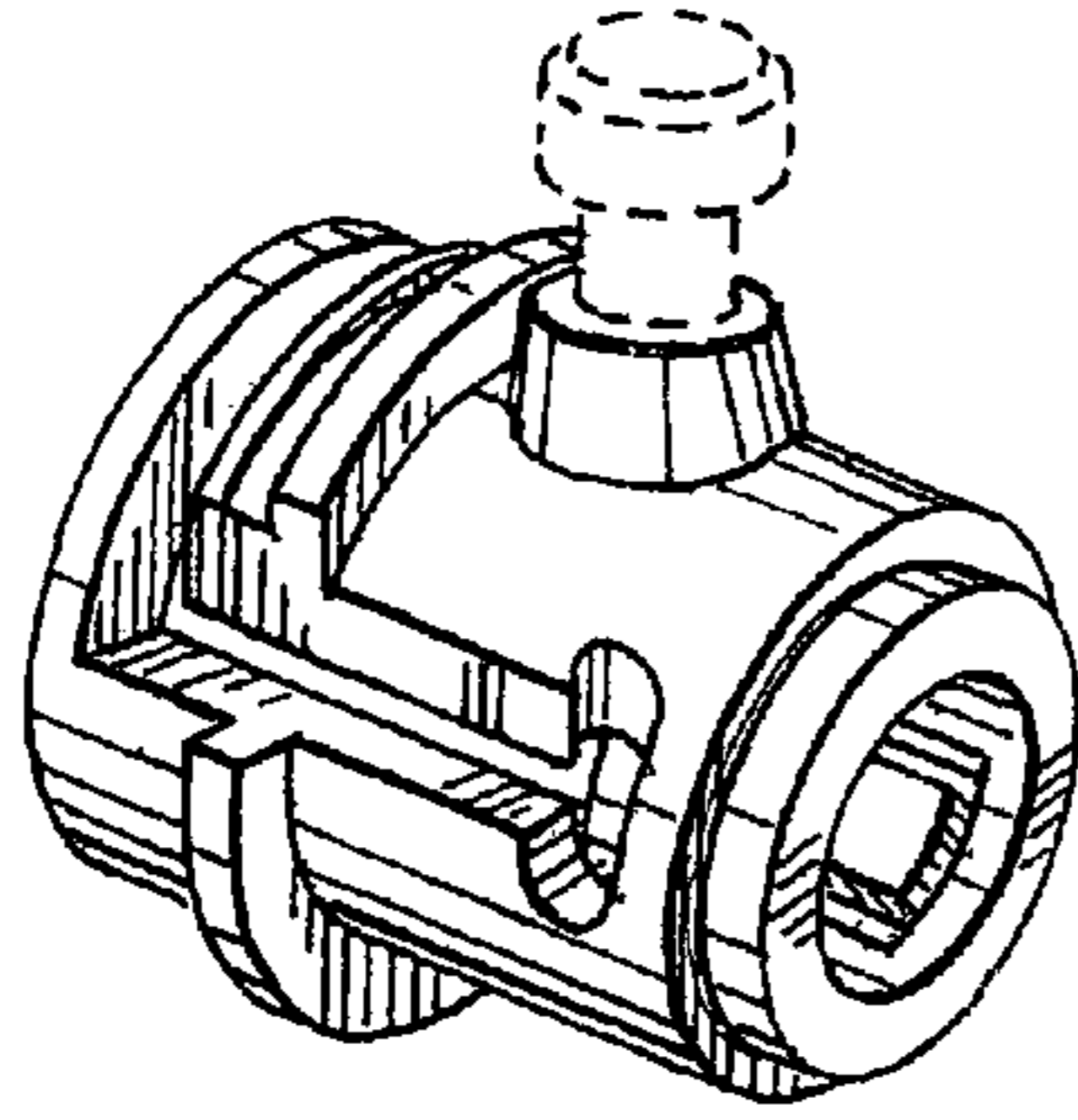


FIG. 2

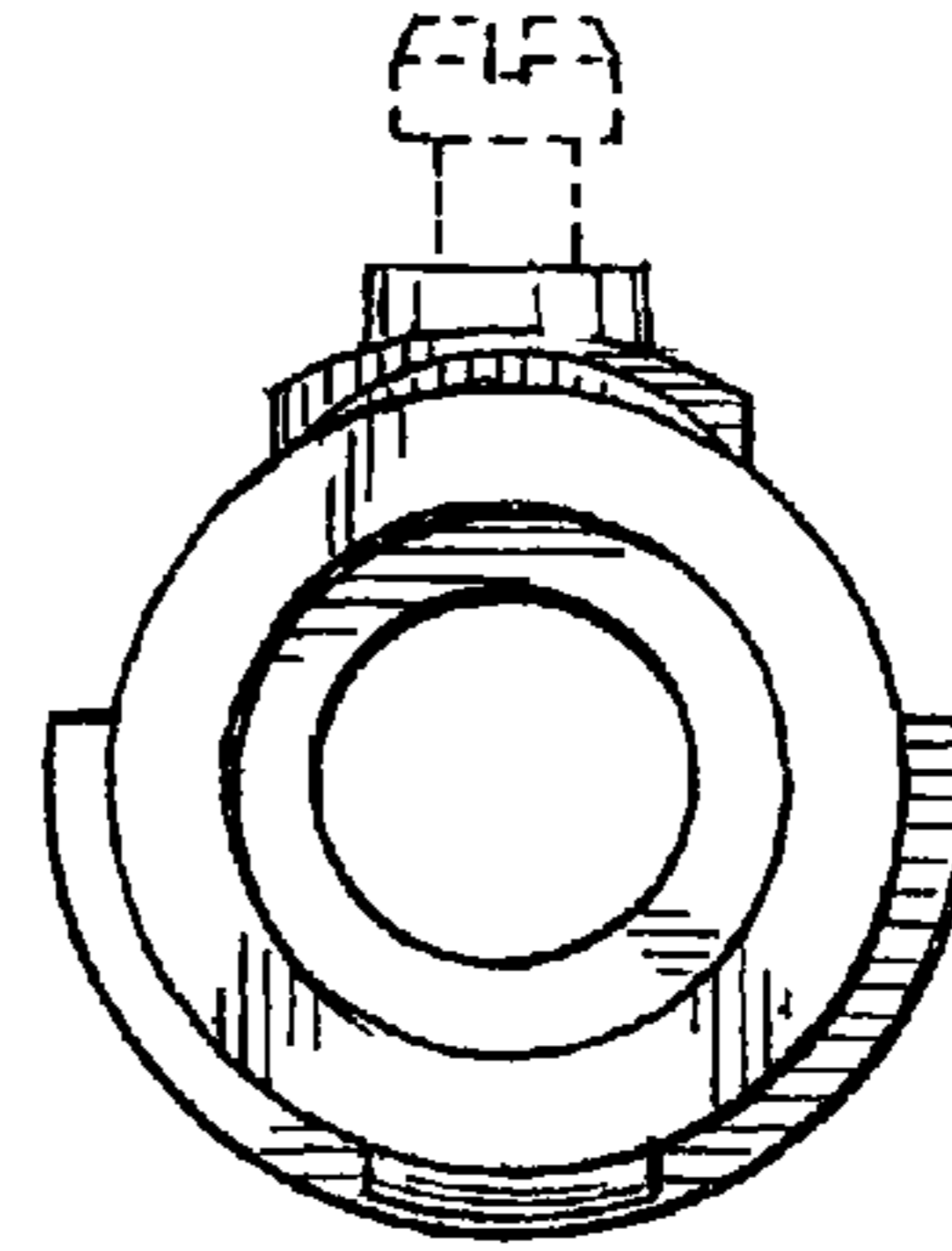


FIG. 3

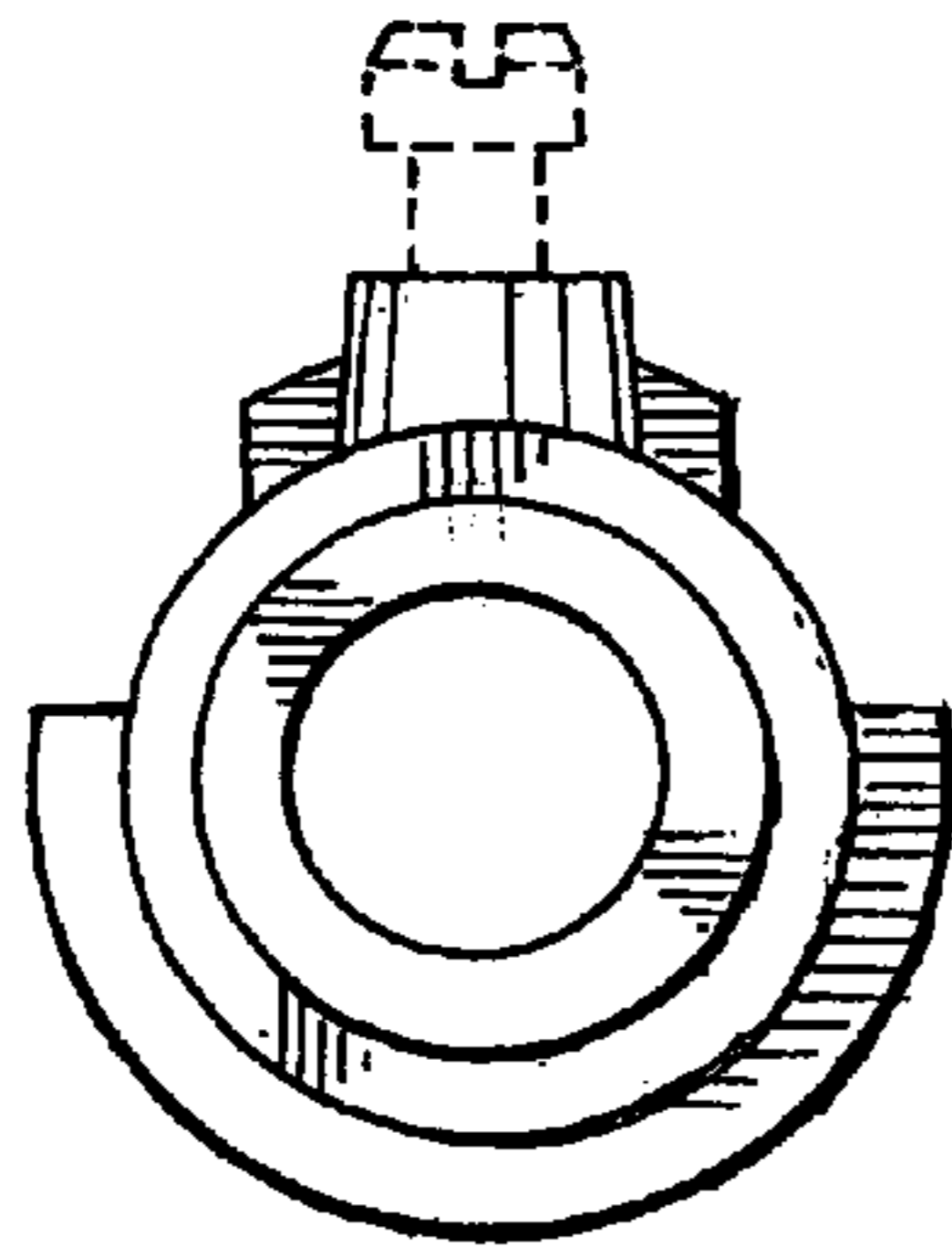


FIG. 4

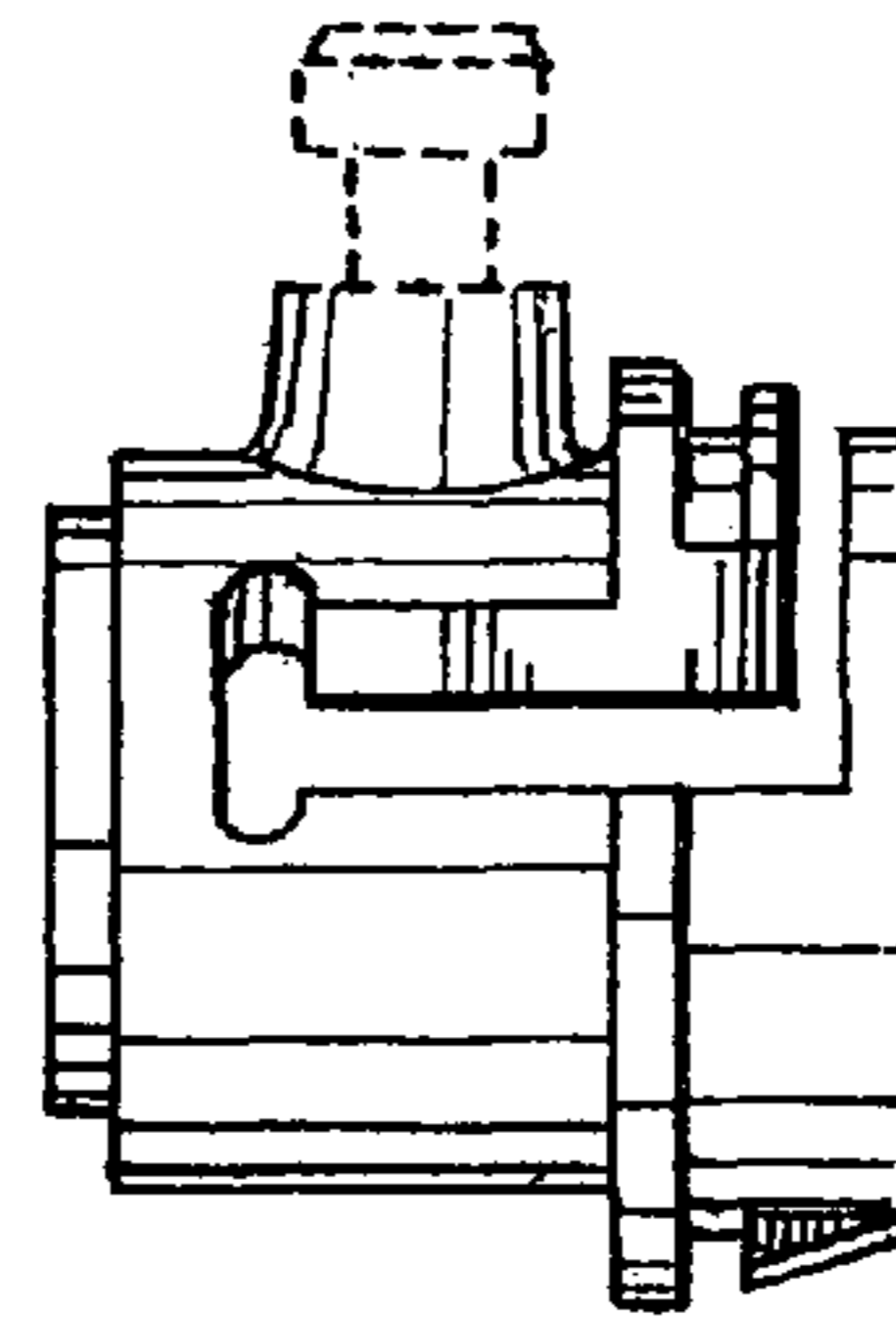


FIG. 5

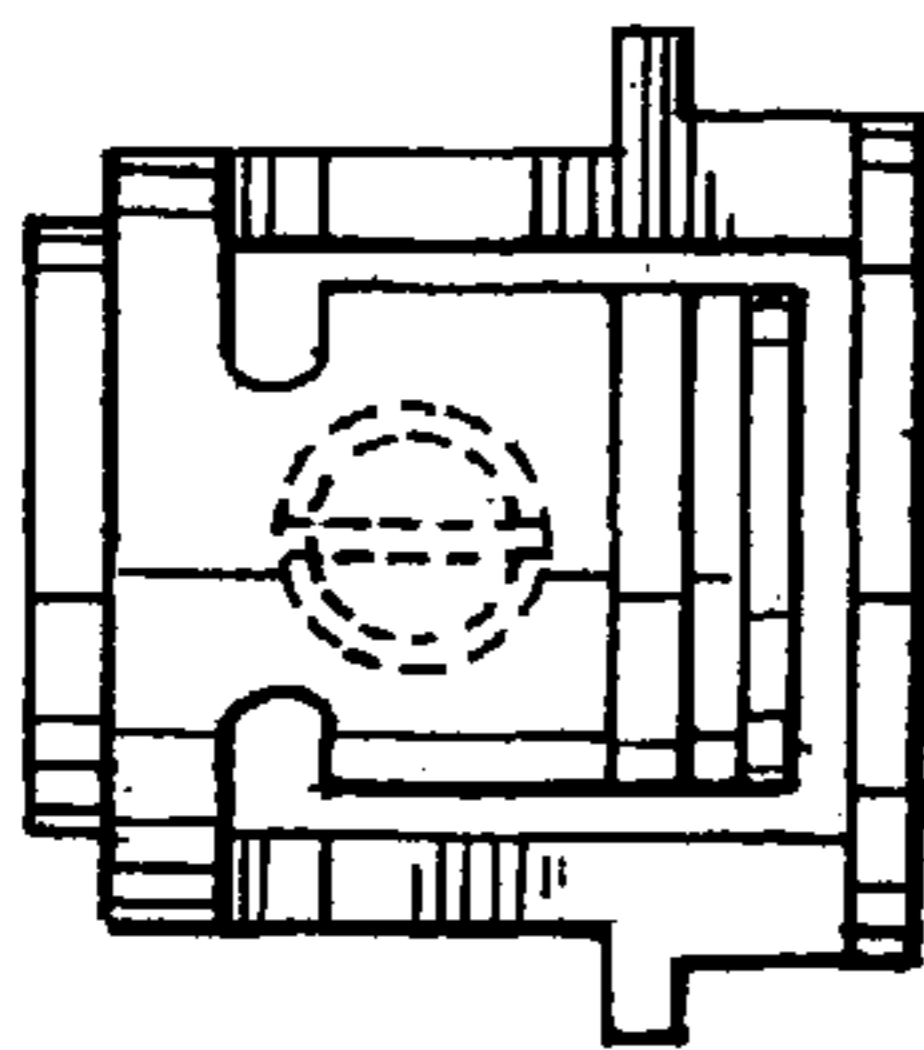


FIG. 6

