

US00D668616S

(12) **United States Design Patent**
Ohtsuji

(10) **Patent No.:** **US D668,616 S**

(45) **Date of Patent:** **** Oct. 9, 2012**

(54) **ELECTRICAL CONNECTOR**

(56) **References Cited**

(75) Inventor: **Takahisa Ohtsuji, Yao (JP)**
(73) Assignee: **Hosiden Corporation, Yao-shi (JP)**
(**) Term: **14 Years**
(21) Appl. No.: **29/418,112**
(22) Filed: **Apr. 12, 2012**

U.S. PATENT DOCUMENTS

D548,191	S	*	8/2007	Arai et al.	D13/147
D559,189	S	*	1/2008	Arai et al.	D13/147
D559,192	S		1/2008	Arai et al.		
D602,872	S		10/2009	Arai et al.		
D613,252	S	*	4/2010	Nagata et al.	D13/147
D617,736	S		6/2010	Masumoto et al.		
D627,739	S	*	11/2010	Arai et al.	D13/147
D628,161	S		11/2010	Arai et al.		
D633,048	S	*	2/2011	Arai et al.	D13/147
D654,877	S		2/2012	Ohtsuji		

* cited by examiner

Related U.S. Application Data

(62) Division of application No. 29/410,596, filed on Jan. 10, 2012, which is a division of application No. 29/386,998, filed on Mar. 8, 2011, now Pat. No. Des. 654,877.

Primary Examiner — Daniel Bui

(74) *Attorney, Agent, or Firm* — Rankin, Hill & Clark LLP

(57) **CLAIM**

The ornamental design for an electrical connector, as shown and described.

DESCRIPTION

(30) **Foreign Application Priority Data**

Sep. 10, 2010 (JP) 2010-021849
Sep. 10, 2010 (JP) 2010-021850
Sep. 10, 2010 (JP) 2010-021851

(51) **LOC (9) Cl.** **13-03**
(52) **U.S. Cl.** **D13/147**
(58) **Field of Classification Search** D13/147,
D13/154, 184, 199; 439/79, 108, 378, 567,
439/607.01, 607.04, 607.05, 607.17, 607.25,
439/607.34, 607.41, 607.53, 668, 680

See application file for complete search history.

FIG. 1 is a front, right side and bottom perspective view of an electrical connector showing my new design;
FIG. 2 is a rear, right side and top perspective view thereof;
FIG. 3 is a front elevation view thereof;
FIG. 4 is a rear elevation view thereof;
FIG. 5 is a left side view thereof, a right side view being a mirror image thereof;
FIG. 6 is a top plan view thereof; and,
FIG. 7 is a bottom plan view thereof.
The broken line in the figure drawings is included for the purpose of illustrating environment and forms no part of the claimed design.

1 Claim, 4 Drawing Sheets

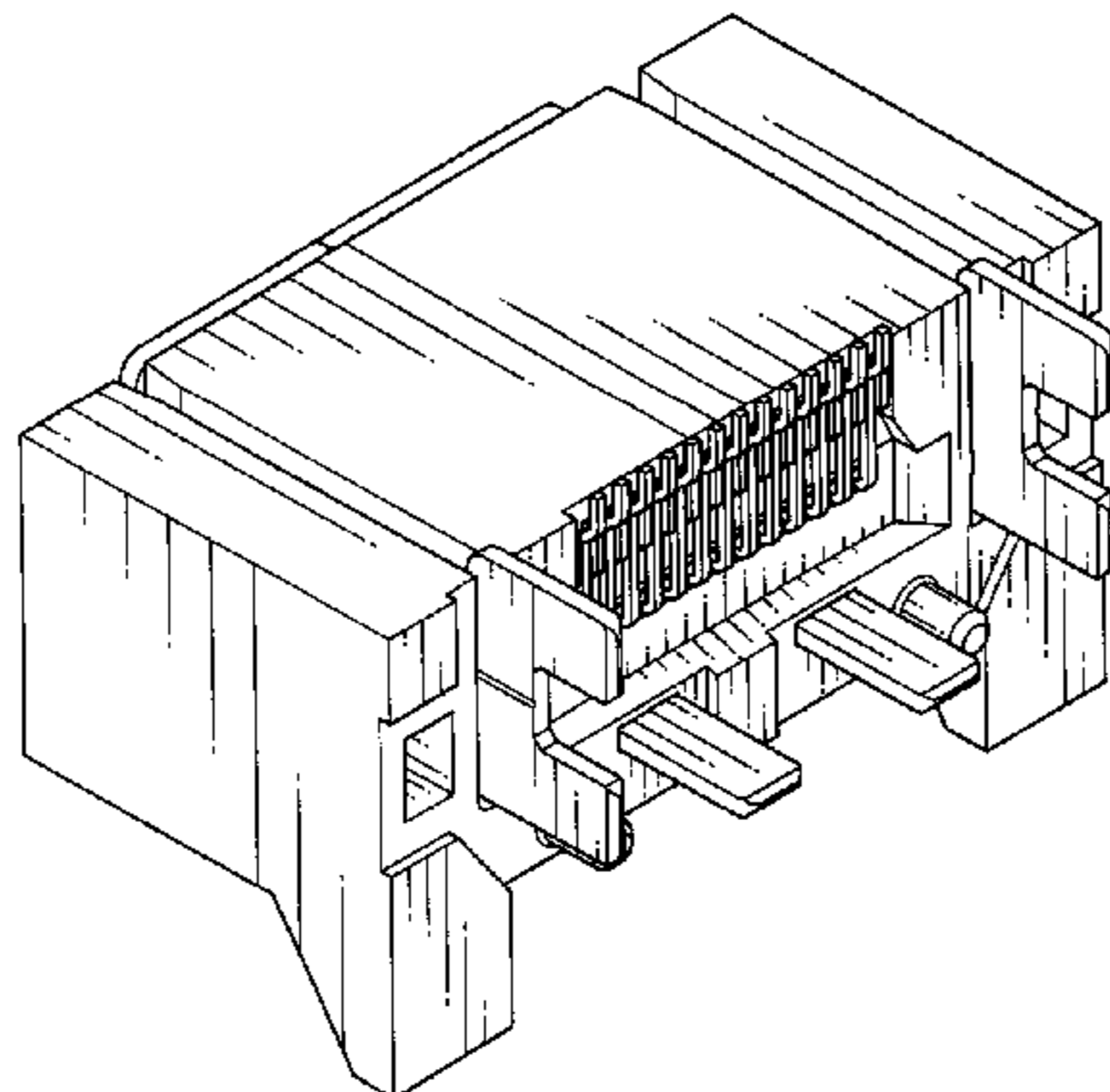
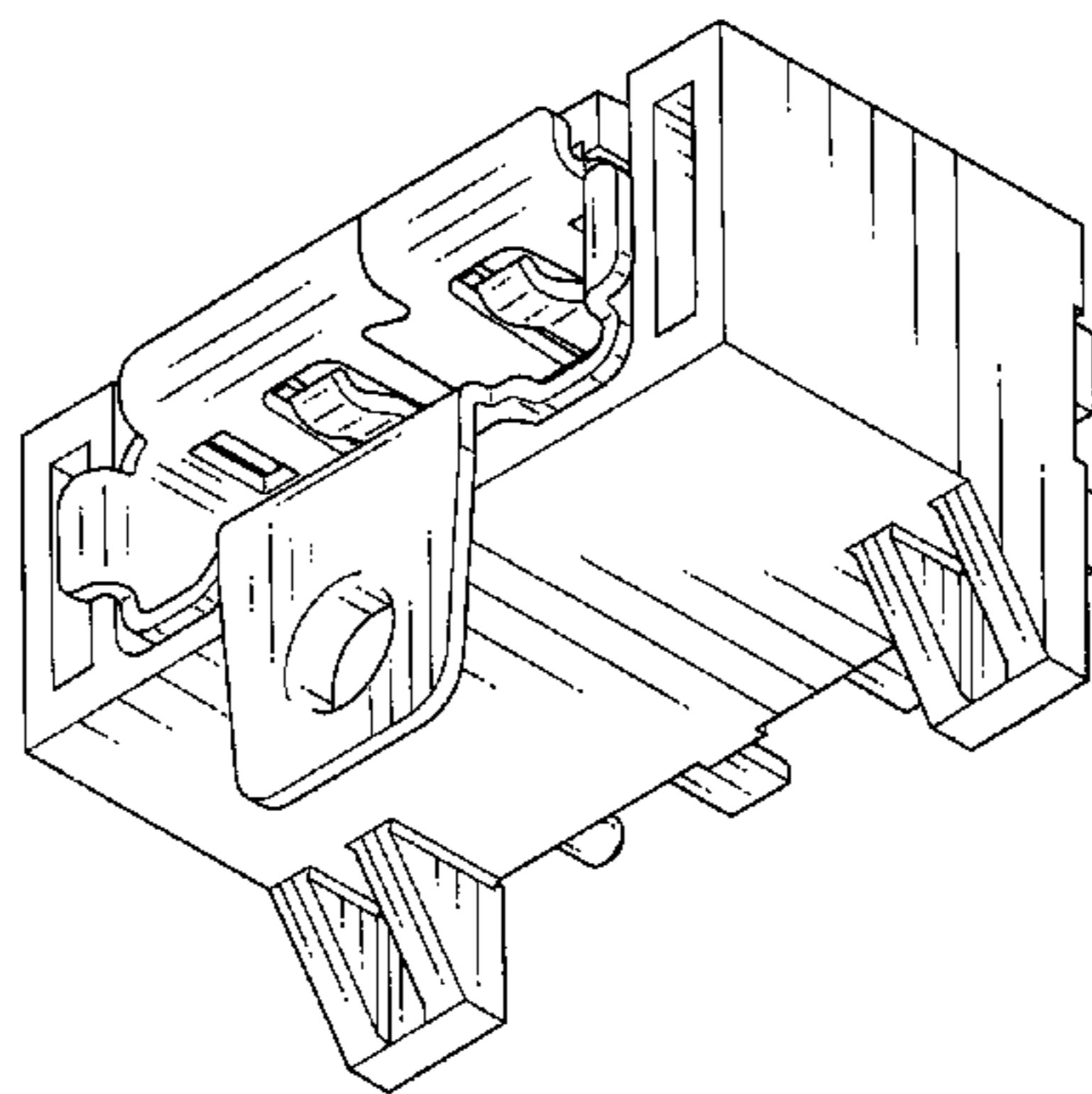


Fig. 1

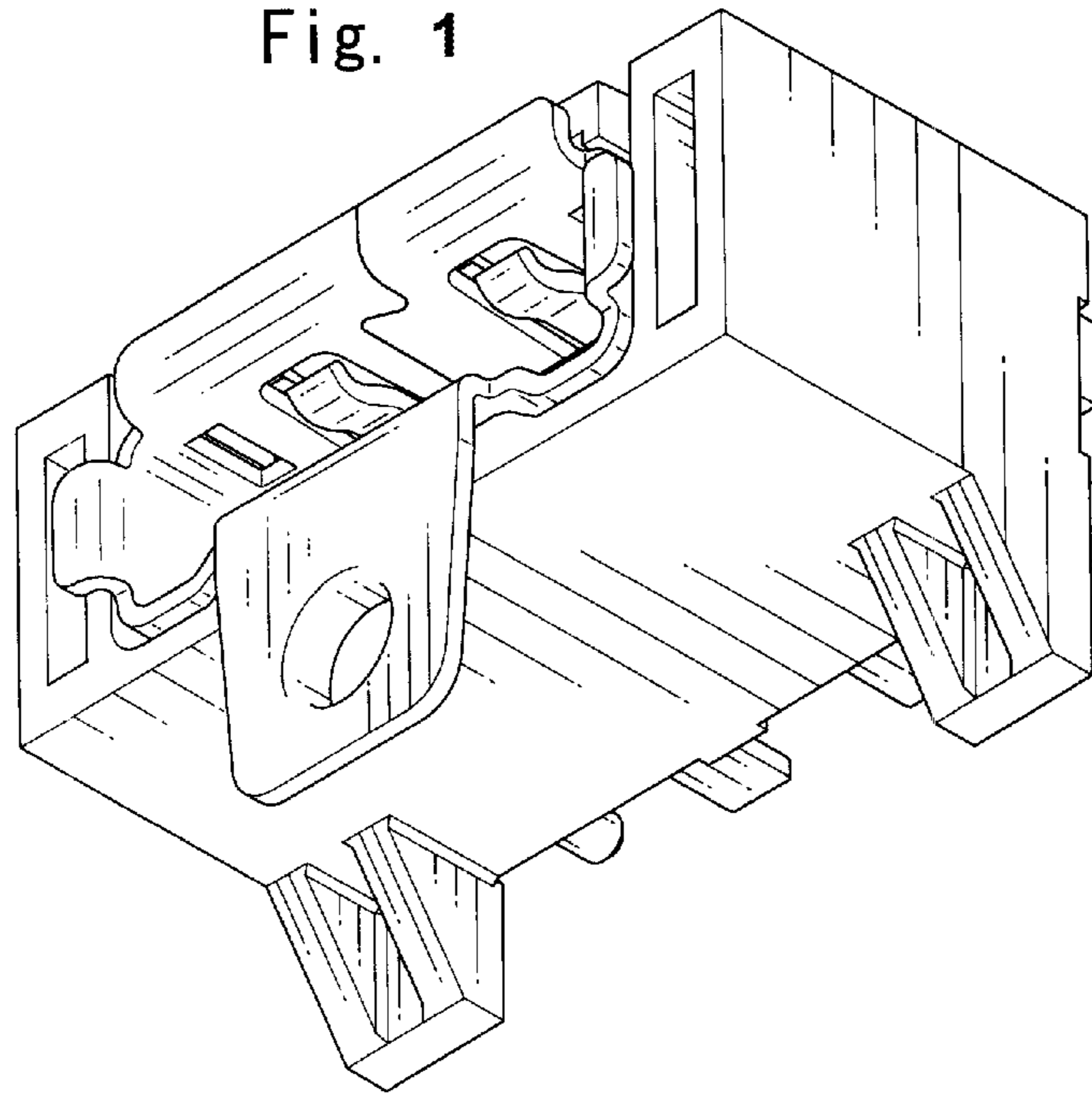


Fig. 2

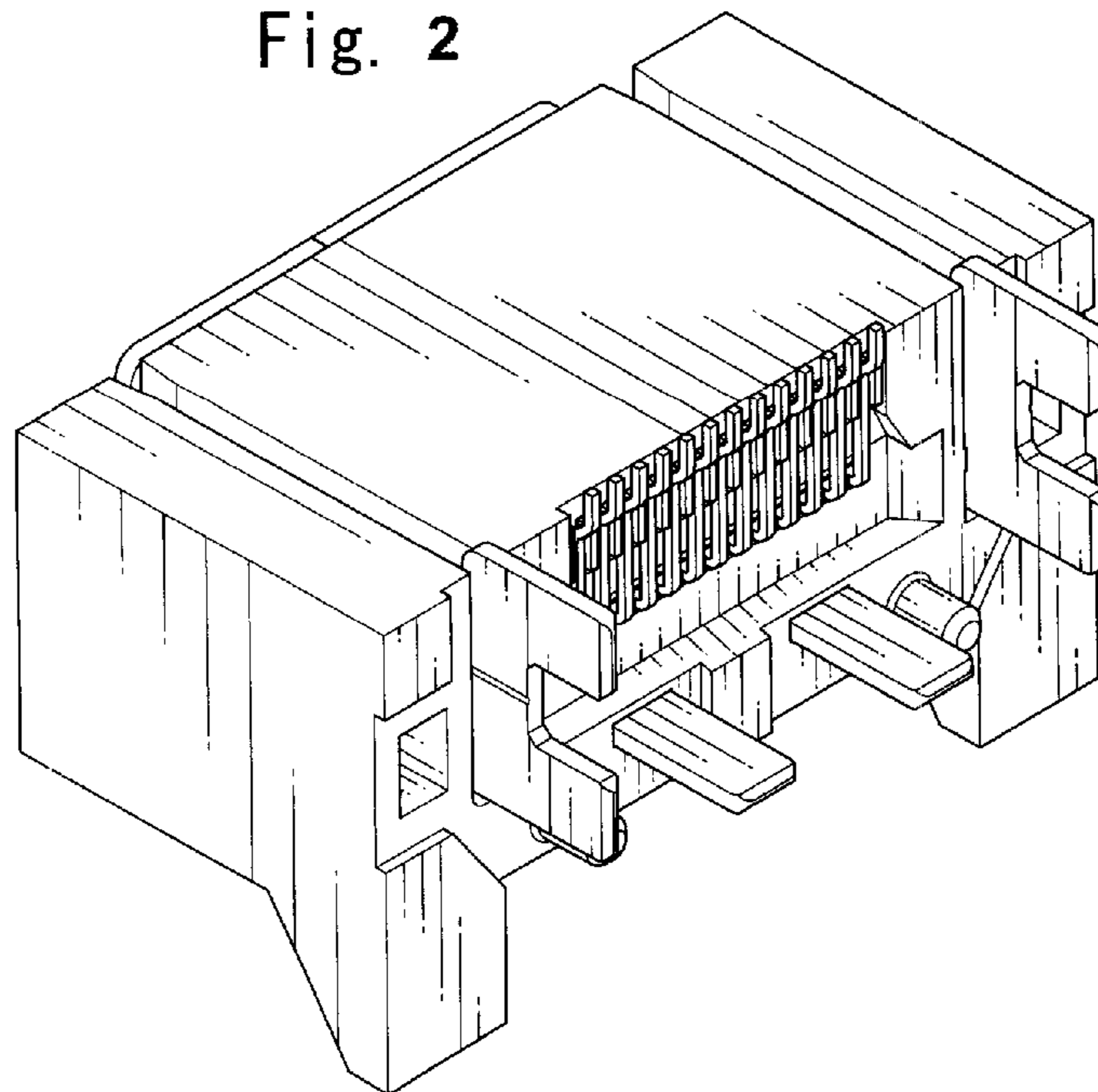


Fig. 3

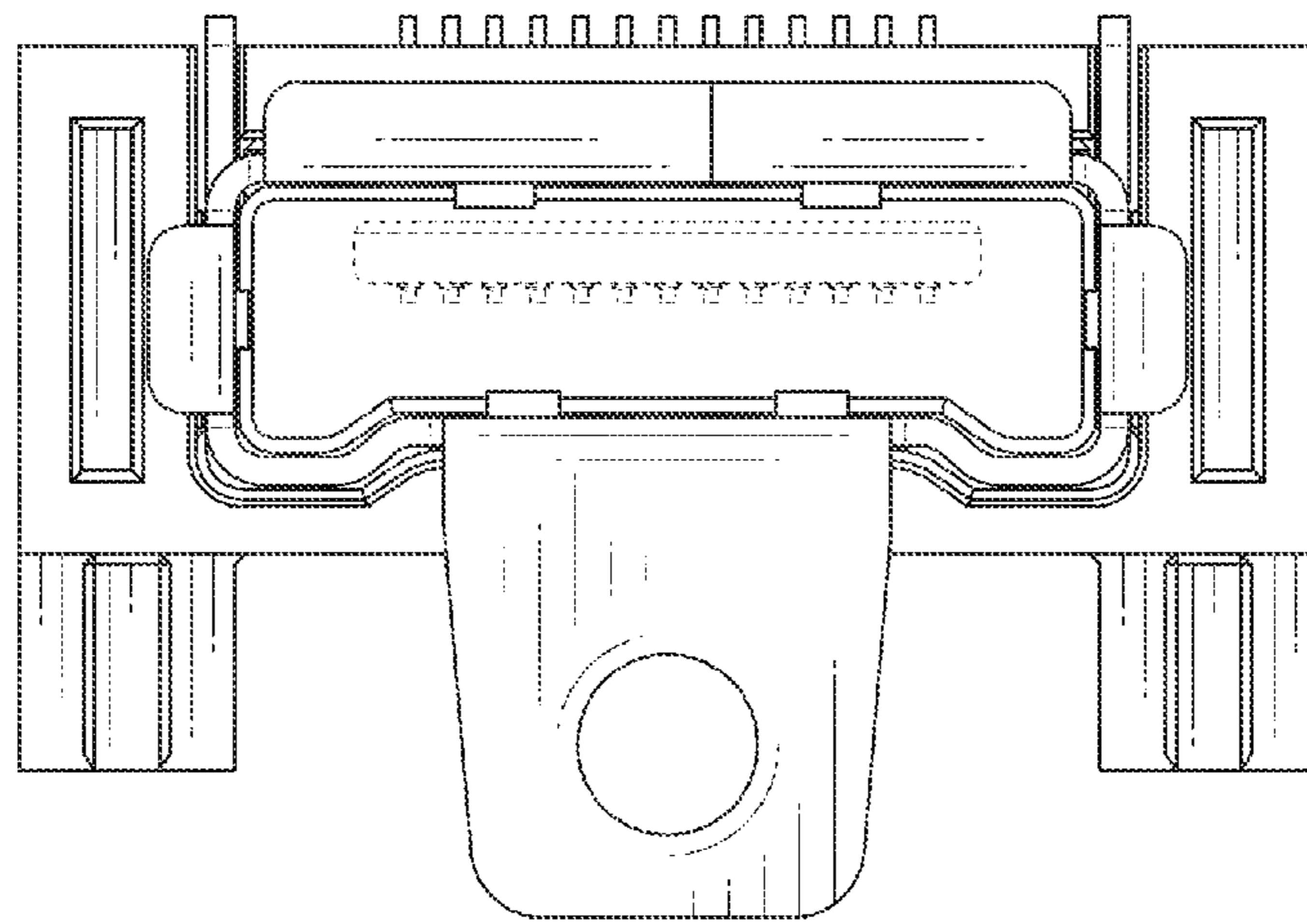


Fig. 4

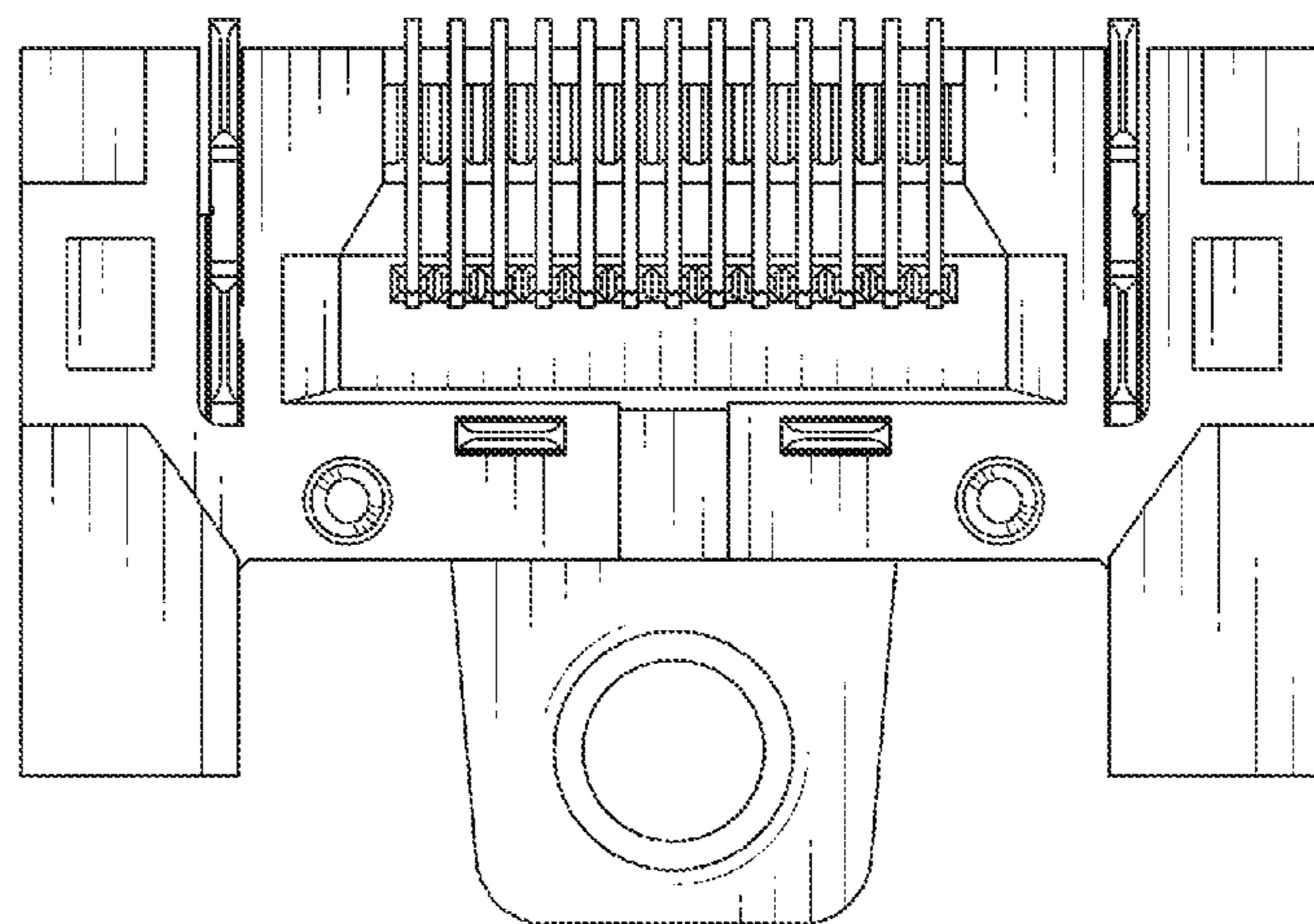


Fig. 5

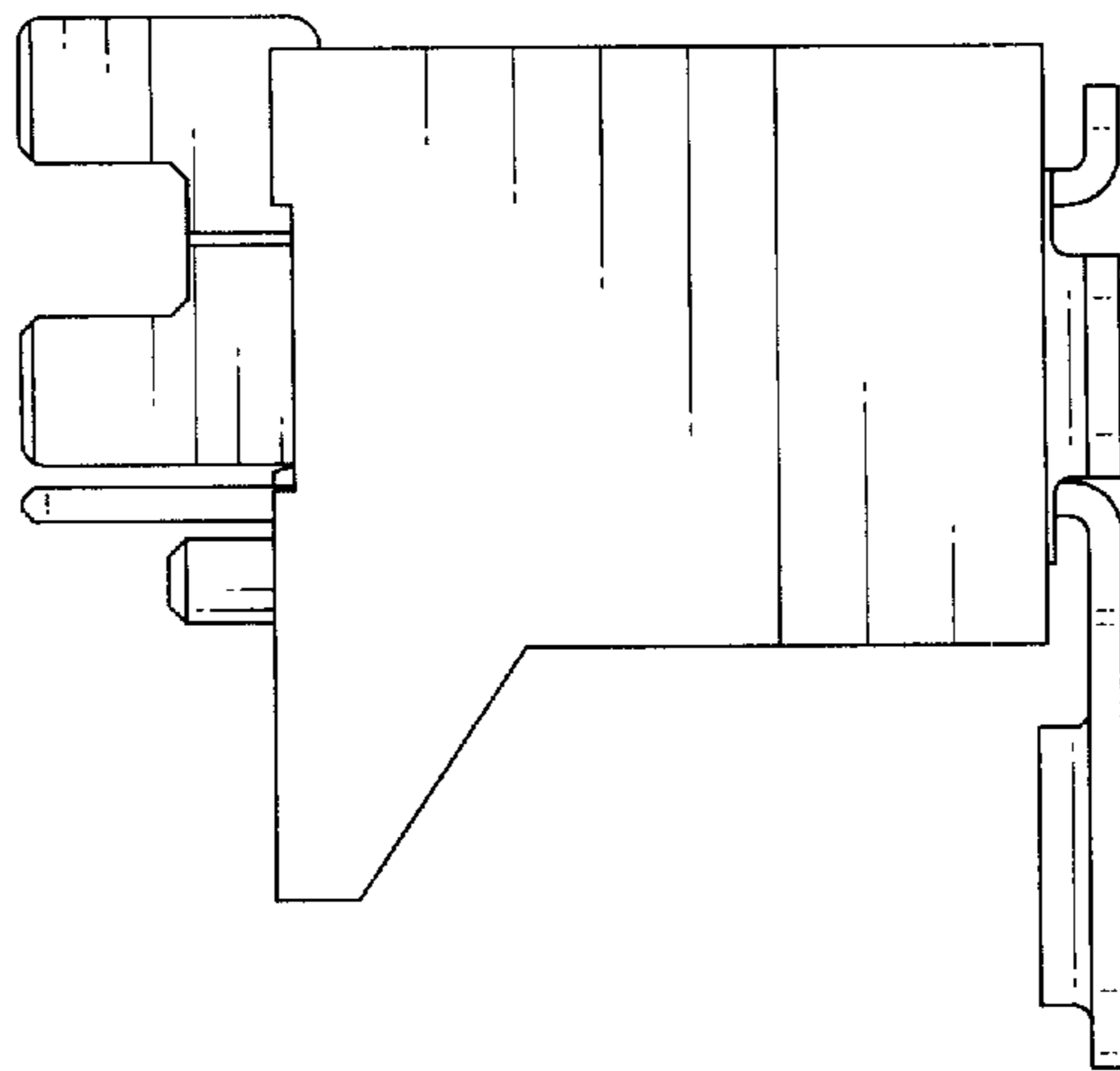


Fig. 6

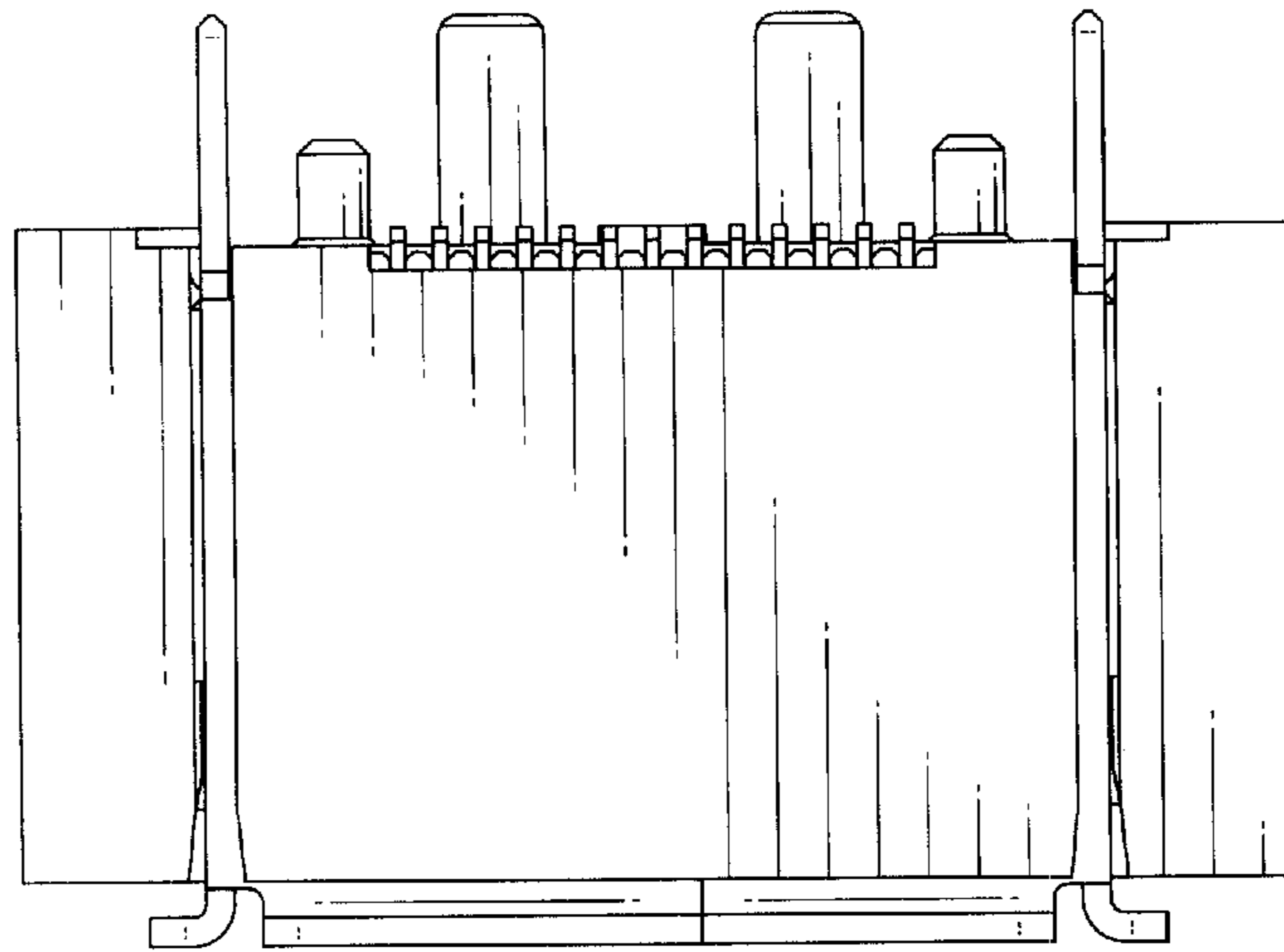


Fig. 7

