

US00D668614S

(12) **United States Design Patent**  
**Amidon**

(10) **Patent No.:** **US D668,614 S**  
(45) **Date of Patent:** **\*\* Oct. 9, 2012**

(54) **HIGH DEFINITION MULTIMEDIA  
INTERFACE CONNECTOR**

(75) Inventor: **Jeremy Amidon**, Marcellus, NY (US)

(73) Assignee: **John Mezzalingua Associates, Inc.**, E.  
Syracuse, NY (US)

(\*\*) Term: **14 Years**

(21) Appl. No.: **29/389,492**

(22) Filed: **Apr. 12, 2011**

**Related U.S. Application Data**

(62) Division of application No. 29/353,057, filed on Dec.  
31, 2009, now Pat. No. Des. 635,931.

(51) **LOC (9) Cl.** ..... **13-03**

(52) **U.S. Cl.** ..... **D13/147**

(58) **Field of Classification Search** ..... D13/147,  
D13/154, 184, 199; 439/78-79, 83, 108,  
439/181, 607.01, 607.04, 607.05, 607.17,  
439/607.25, 607.34, 74, 78-79, 607.41, 607.53,  
439/630, 660

See application file for complete search history.

(56) **References Cited**

**U.S. PATENT DOCUMENTS**

D381,629 S 7/1997 Goto  
D416,869 S 11/1999 Tsai  
D451,473 S 12/2001 Goto  
D476,951 S 7/2003 Hussaini et al.

D488,779 S 4/2004 Goto  
D527,709 S 9/2006 Kuo  
D531,580 S 11/2006 Nishio et al.  
D584,238 S 1/2009 Victor  
D589,888 S 4/2009 Wu et al.  
D601,093 S 9/2009 Wu et al.  
D602,440 S 10/2009 Wu et al.  
D603,800 S 11/2009 Zhao et al.

**OTHER PUBLICATIONS**

Notice of Allowance dated Dec. 1, 2010. U.S. Appl. No. 29/353,057,  
filed Dec. 31, 2009.

*Primary Examiner* — Daniel Bui

(74) *Attorney, Agent, or Firm* — Schmeiser, Olsen & Watts,  
LLP

(57) **CLAIM**

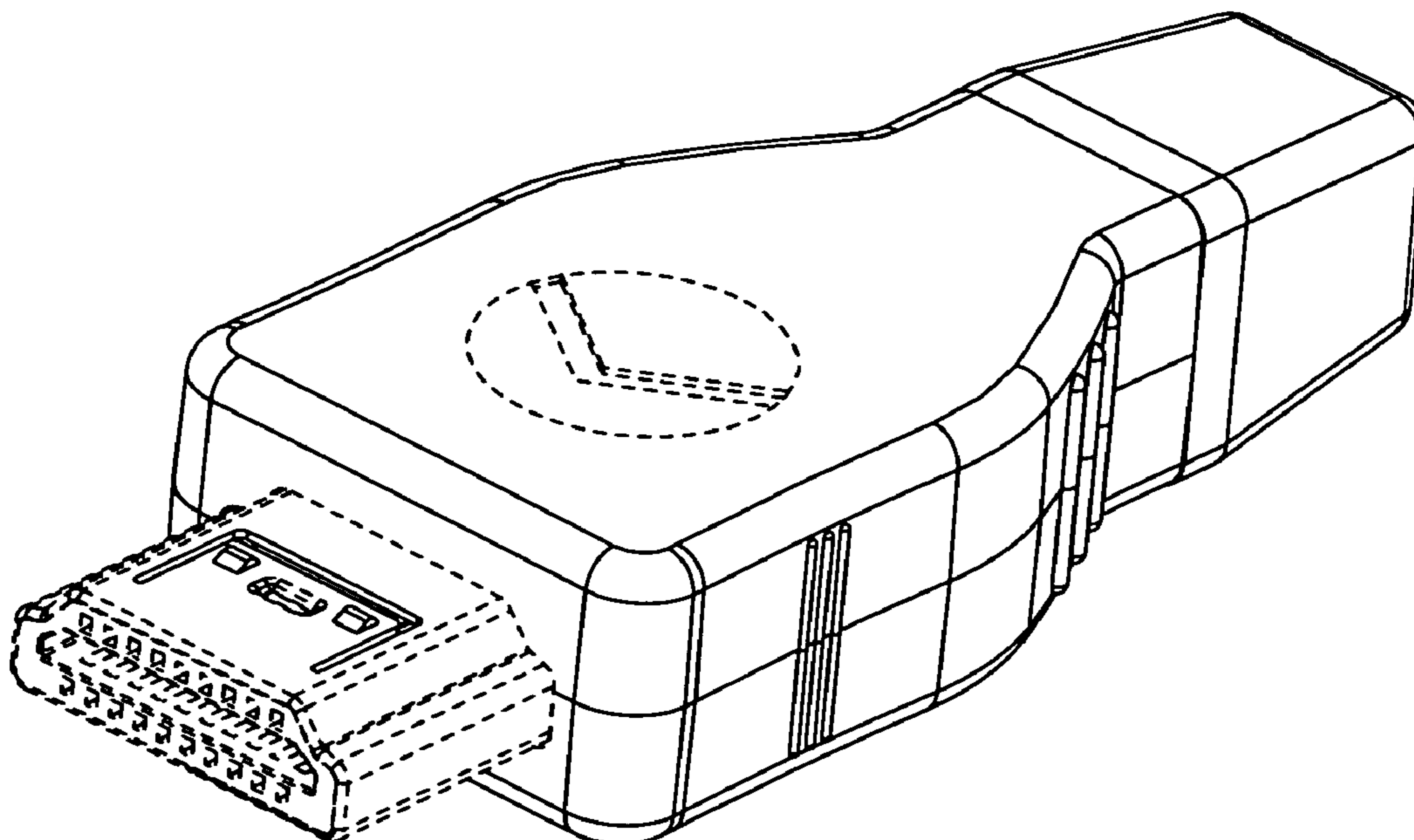
The ornamental design for a high definition multimedia inter-  
face connector, as shown and described.

**DESCRIPTION**

FIG. 1 is a front perspective view of a high definition multi-  
media interface connector showing my design;  
FIG. 2 is a top plan view thereof;  
FIG. 3 is a bottom plan view thereof;  
FIG. 4 is a right side elevation view thereof, the left side  
elevation view being a mirror image thereto;  
FIG. 5 is a front elevation view thereof, on a larger scale; and,  
FIG. 6 is a rear elevation view thereof.

The broken line portion of the figure drawings is included to  
show unclaimed subject matter only and forms no part of the  
claimed design.

**1 Claim, 6 Drawing Sheets**



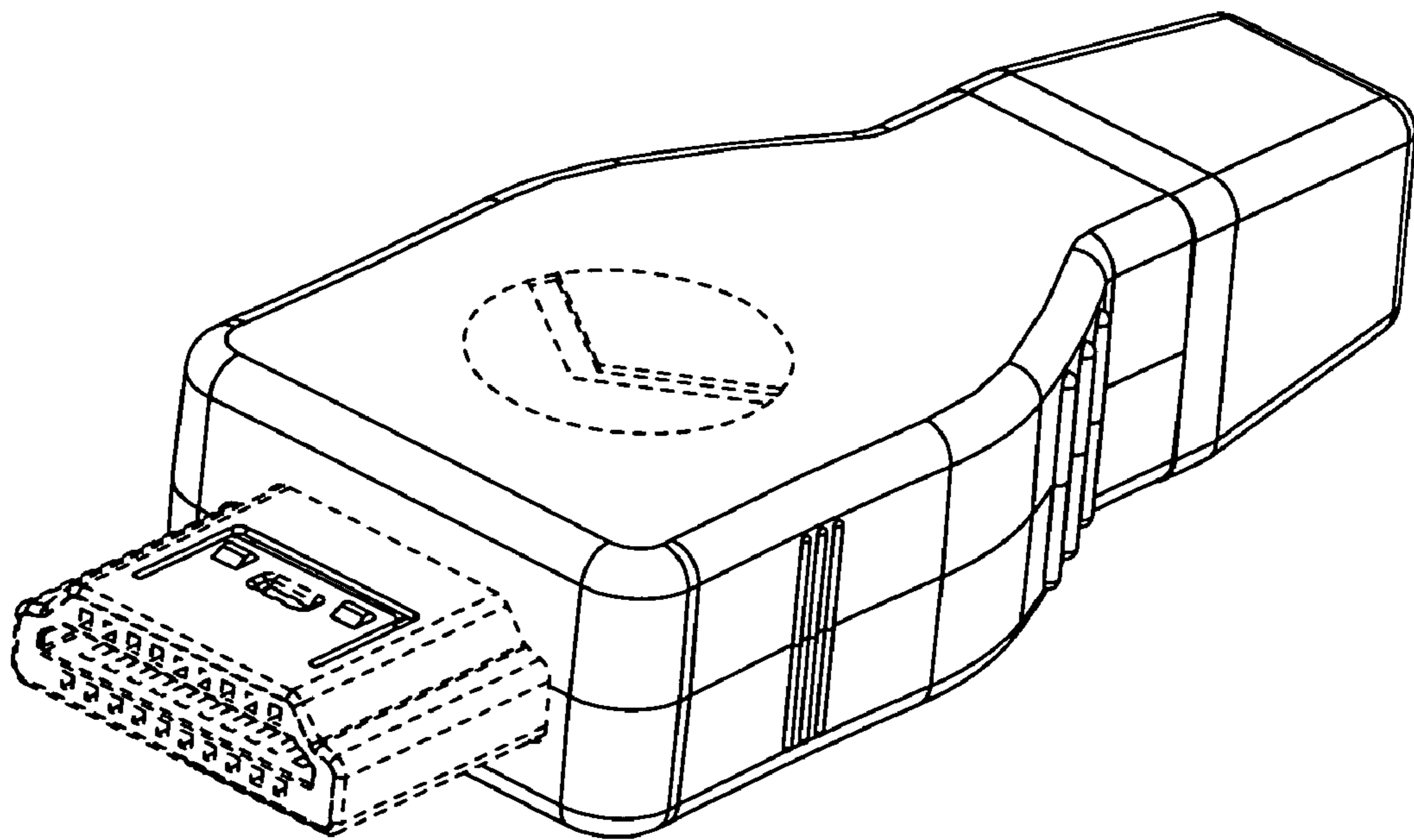


FIG. 1

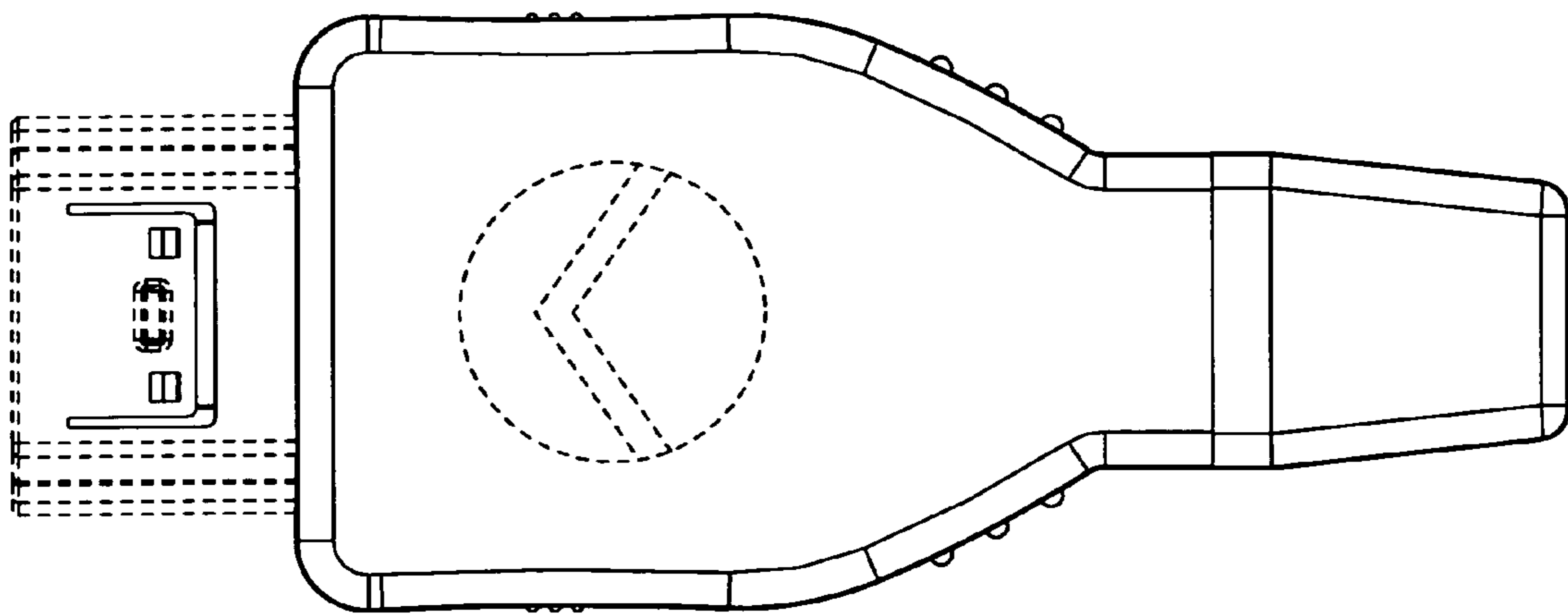


FIG. 2

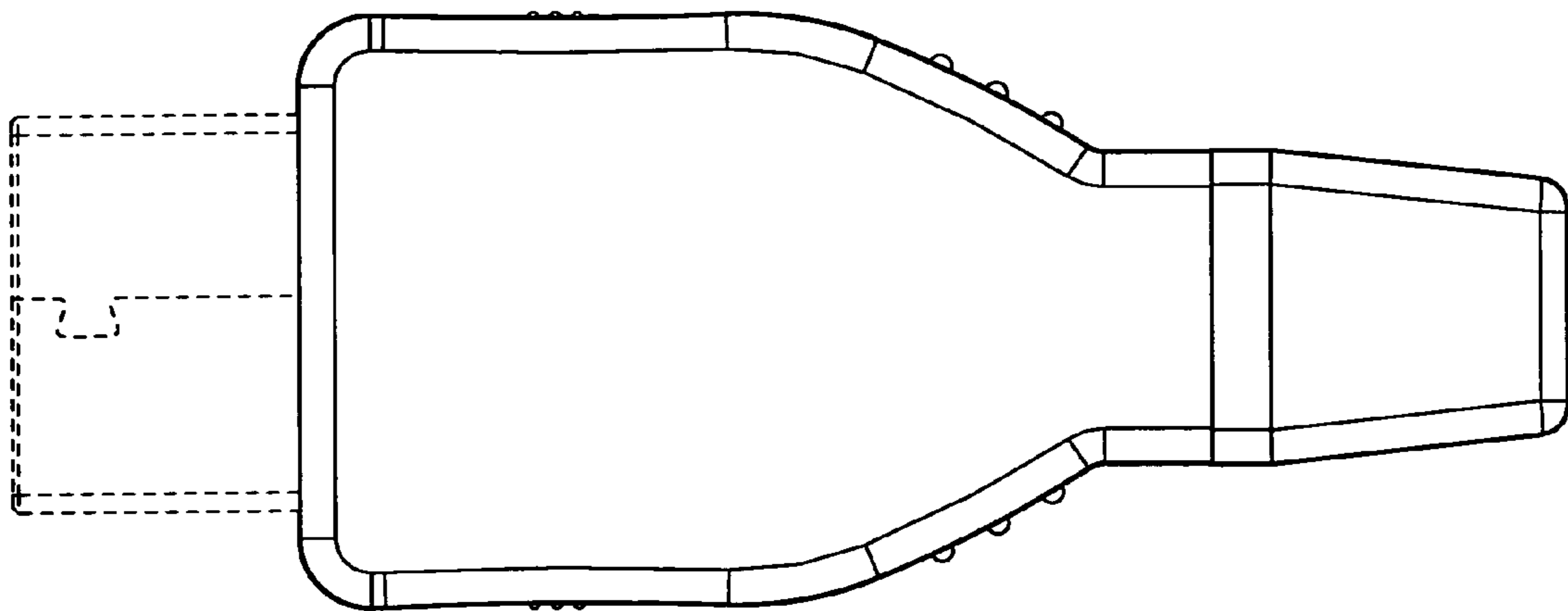


FIG. 3

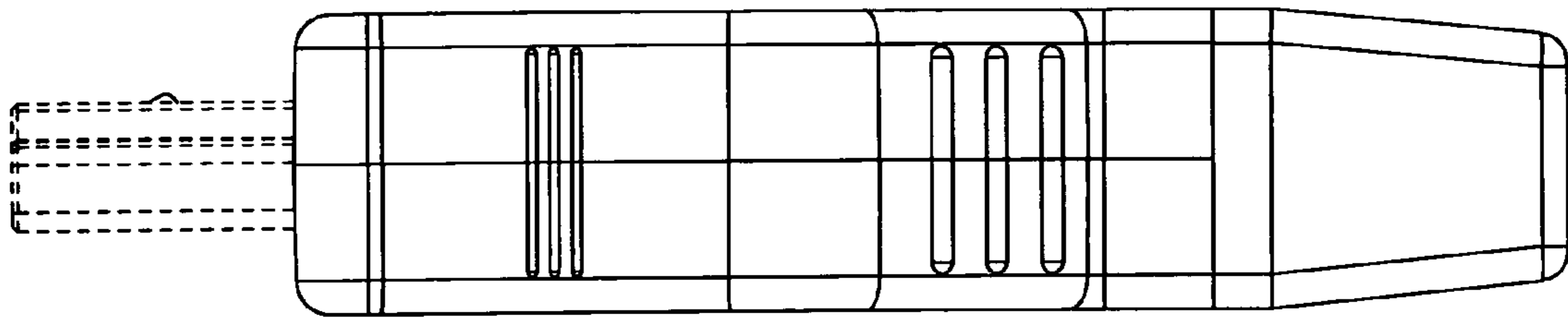


FIG. 4

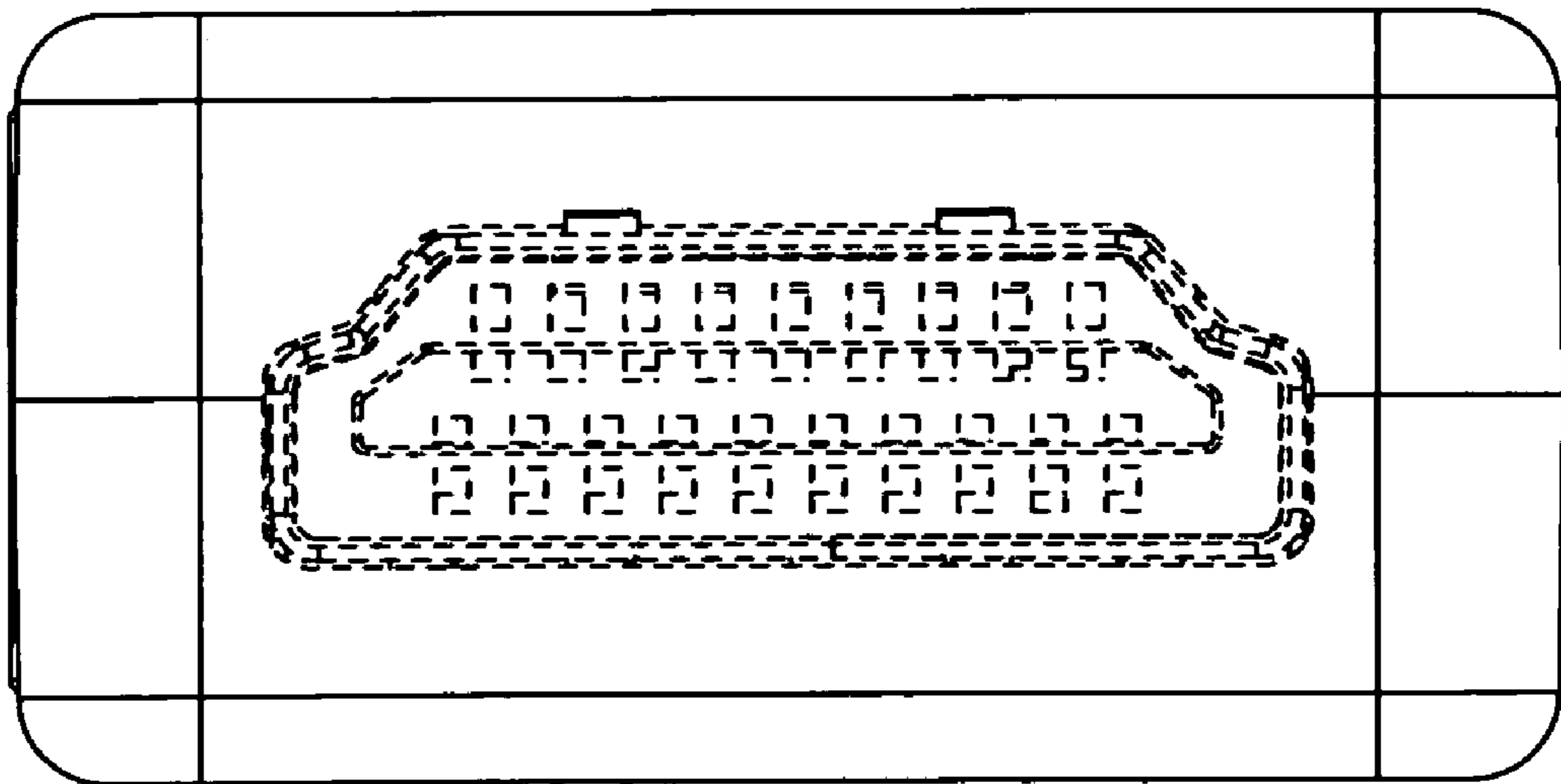


FIG. 5

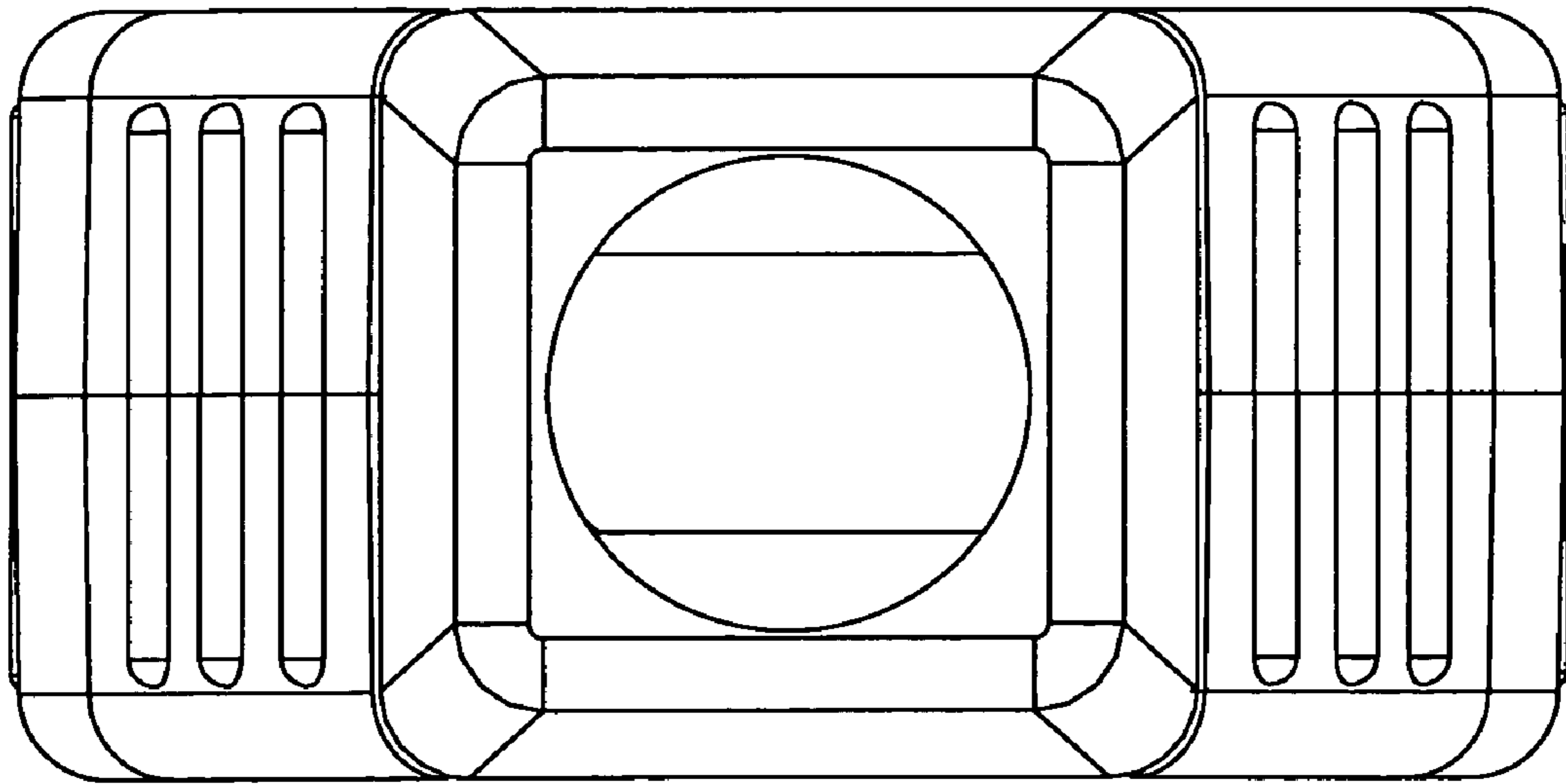


FIG. 6