



US00D668613S

(12) **United States Design Patent**  
**Ngo**

(10) **Patent No.:** **US D668,613 S**  
(45) **Date of Patent:** **\*\* Oct. 9, 2012**

- (54) **ELECTRICAL CARD-EDGE CONNECTOR**
- (75) Inventor: **Hung Viet Ngo**, Harrisburg, PA (US)
- (73) Assignee: **FCI Americas Technology LLC**,  
Carson City, NV (US)
- (\*\*) Term: **14 Years**
- (21) Appl. No.: **29/388,885**
- (22) Filed: **Apr. 4, 2011**

U.S. Appl. No. 13/113,840, filed May 23, 2011, Ngo.  
 U.S. Appl. No. 13/113,847, filed May 23, 2011, Ngo.  
 U.S. Appl. No. 29/363,270, filed Jun. 7, 2010, Ngo.  
 U.S. Appl. No. 61/205,276, filed Jan. 16, 2009, Ngo et al.  
 U.S. Appl. No. 61/352,231, filed Jun. 7, 2010, Ngo.  
 U.S. Appl. No. 61/352,245, filed Jun. 7, 2010, Ngo.

*Primary Examiner* — Daniel Bui  
 (74) *Attorney, Agent, or Firm* — Woodcock Washburn LLP

**Related U.S. Application Data**

- (63) Continuation of application No. 29/363,267, filed on Jun. 7, 2010, now Pat. No. Des. 640,201.
  - (51) **LOC (9) Cl.** ..... **13-03**
  - (52) **U.S. Cl.** ..... **D13/147**
  - (58) **Field of Classification Search** ..... D13/147,  
D13/154, 184, 199; 439/159–160, 260, 325,  
439/329, 395, 492, 495, 607.01, 607.04,  
439/607.05, 607.17, 607.25, 607.34, 607.41,  
439/607.53, 630
- See application file for complete search history.

(57) **CLAIM**

The ornamental design for an electrical card-edge connector, as shown and described.

**DESCRIPTION**

This application is related by subject matter to U.S. Design patent application entitled “Electrical Card-Edge Connector” filed on even date herewith under Ser. No. 29/363,269, and U.S. Design patent application entitled “Electrical Card-Edge Connector” filed on even date herewith under Ser. No. 29/363,270.

FIG. 1 is a bottom, left, front perspective view of an electrical card-edge connector according to my design;  
 FIG. 2 is a top, right, rear perspective view thereof;  
 FIG. 3 is a rear elevation view thereof;  
 FIG. 4 is a top plan view thereof;  
 FIG. 5 is a front elevation view thereof;  
 FIG. 6 is a bottom plan view thereof;  
 FIG. 7 is a left side elevation view thereof; and,  
 FIG. 8 is a right side elevation view thereof.

The broken line portion of the figures is included to show unclaimed subject matter only and forms no part of the claimed design. Only shaded areas shown in the drawing views are part of the claimed design.

In a preferred embodiment, the nature of this product is an electrical card-edge connector in the form of an electrical connector housing that retains a plurality of electrical contacts, such that the electrical card-edge connector is configured to mount to a first circuit board and mate with a second circuit board.

(56) **References Cited**

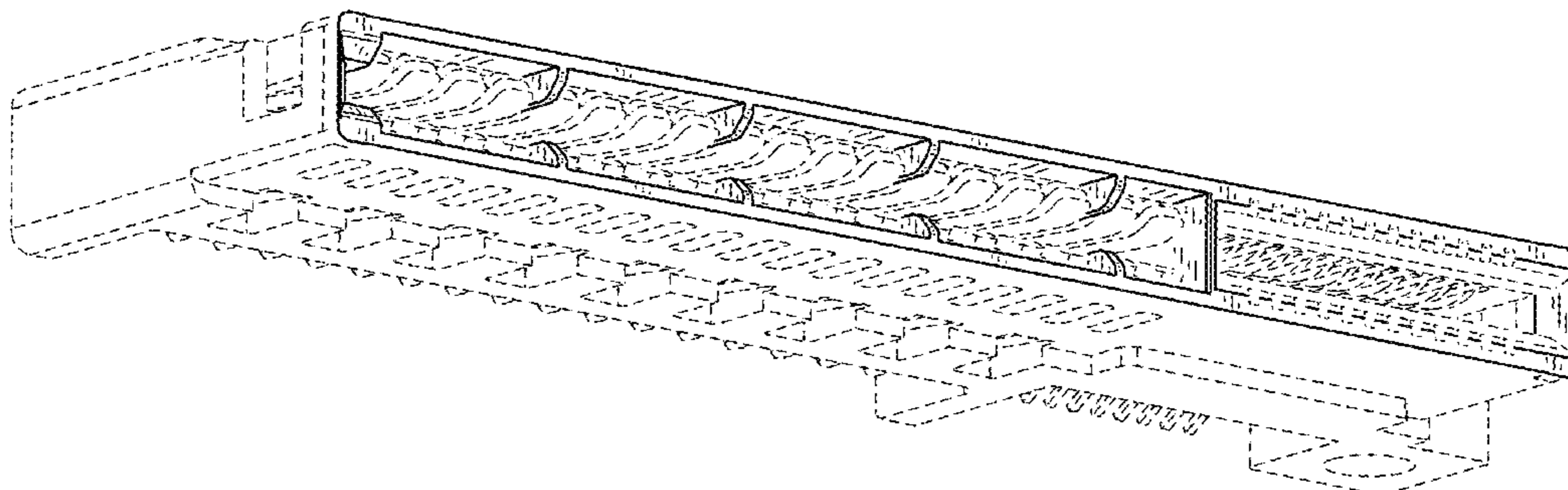
**U.S. PATENT DOCUMENTS**

5,971,775	A	10/1999	Tor et al.
7,014,475	B1	3/2006	Mongold
D540,264	S	4/2007	Zhang
D606,496	S	12/2009	Ngo
D606,497	S	12/2009	Ngo
D608,293	S	1/2010	Ngo
D610,548	S	2/2010	Ngo
D621,364	S	8/2010	Kasahara
D623,138	S	9/2010	Ngo
D639,246	S	6/2011	Ngo
D640,201	S	6/2011	Ngo
D641,321	S	7/2011	Ngo
2003/0024654	A1	2/2003	Sheward
2010/0112834	A1	5/2010	Chen et al.
2010/0124848	A1	5/2010	Atkinson et al.
2010/0184339	A1	7/2010	Ngo et al.

**OTHER PUBLICATIONS**

U.S. Appl. No. 12/687,237, filed Jan. 14, 2010, Ngo.  
 U.S. Appl. No. 13/113,818, filed May 23, 2011, Ngo.

**1 Claim, 4 Drawing Sheets**



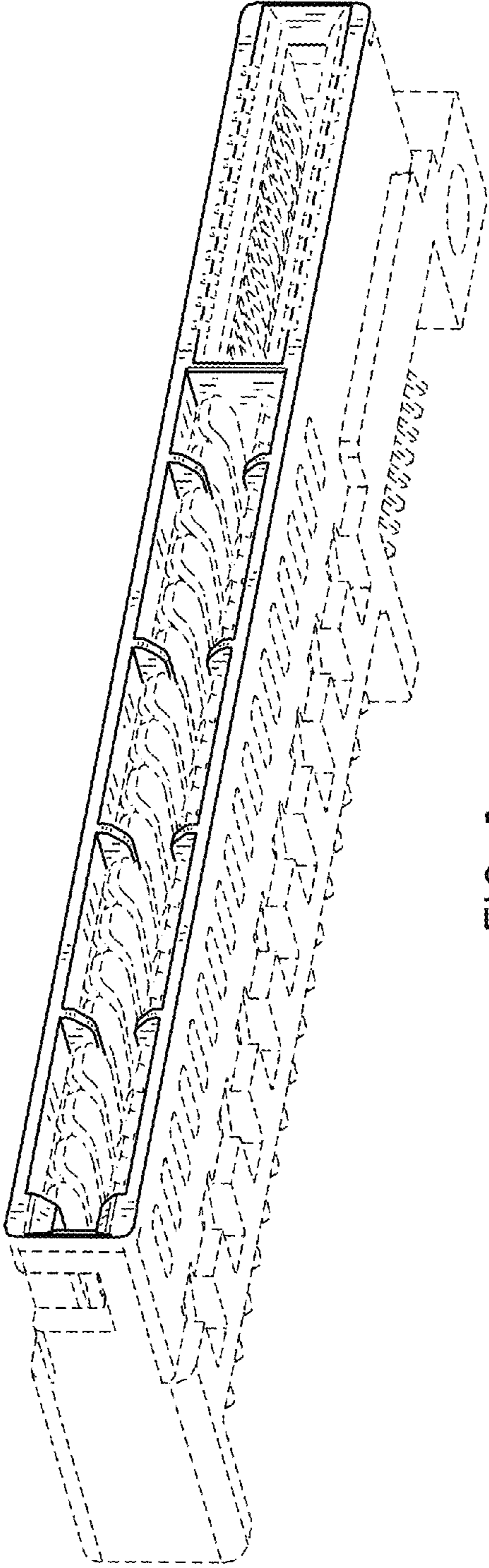


FIG. 1

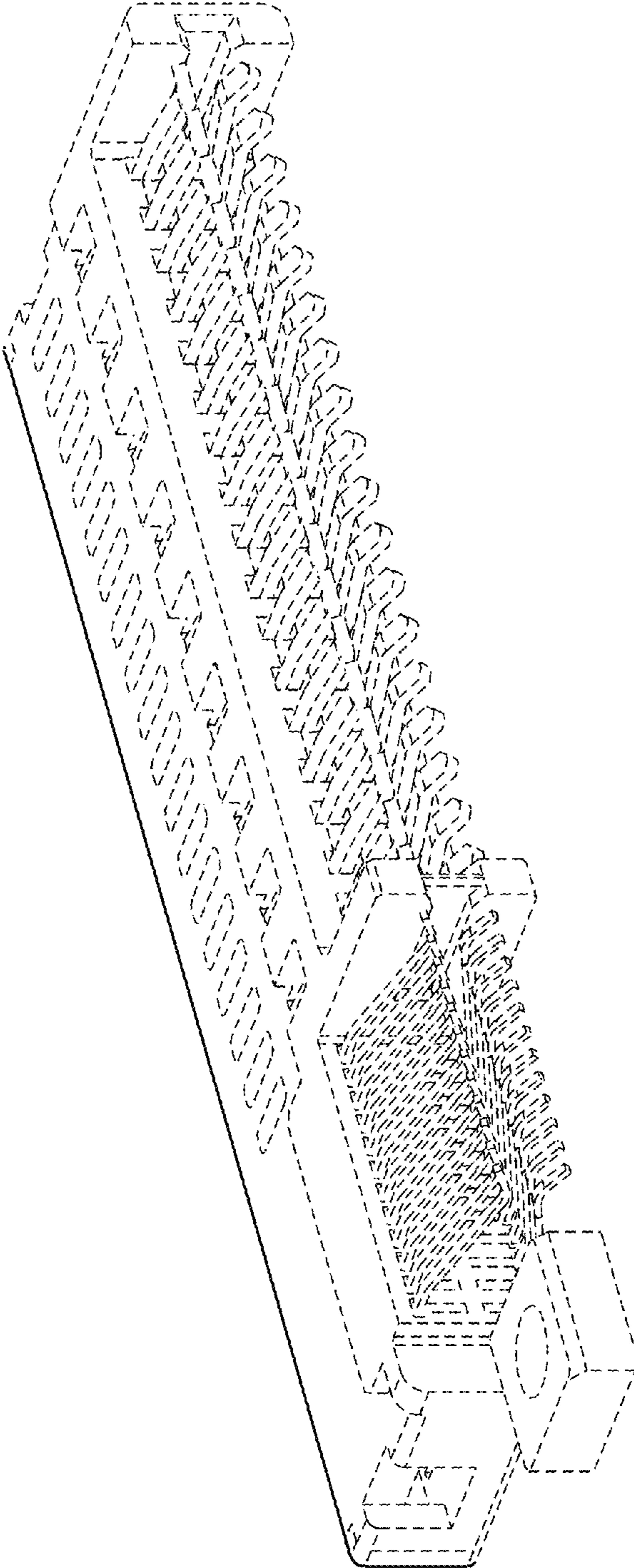


FIG. 2

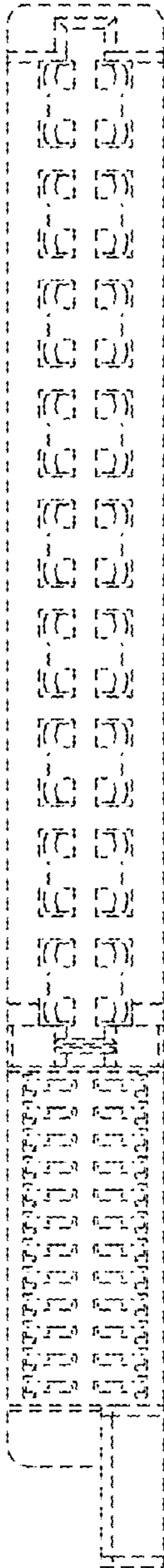


FIG. 3

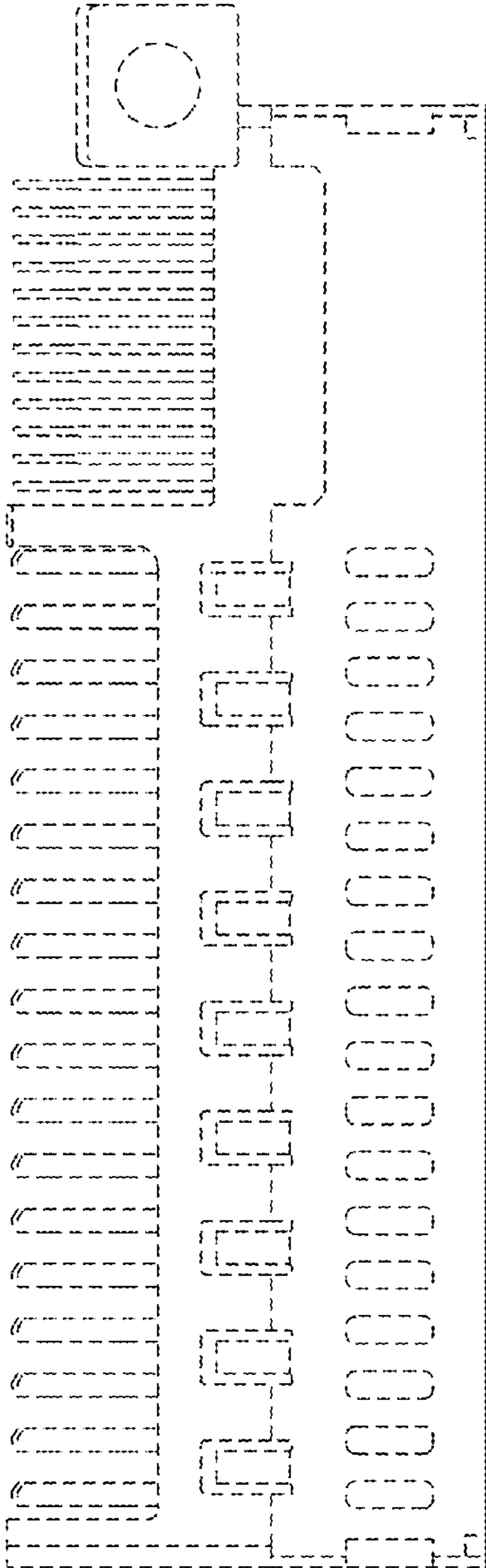


FIG. 4

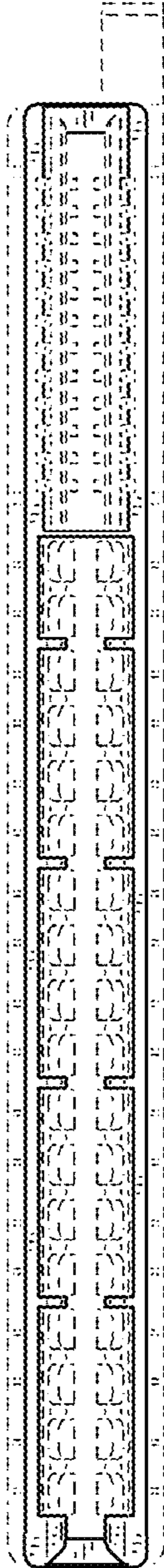


FIG. 5

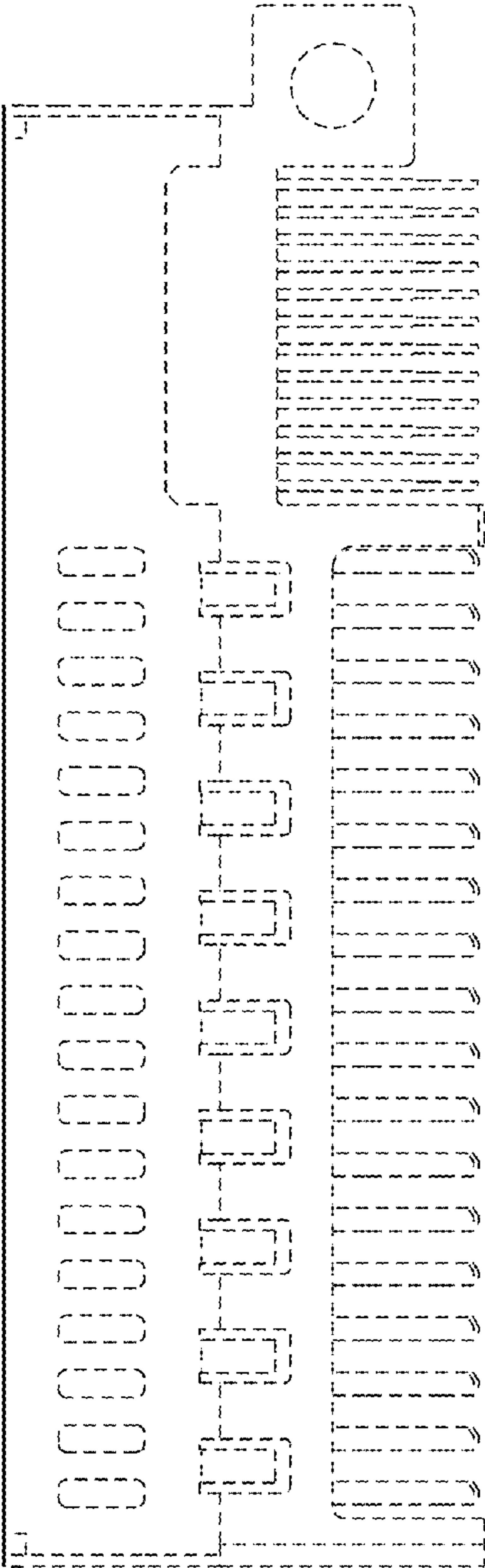


FIG. 6



FIG. 8

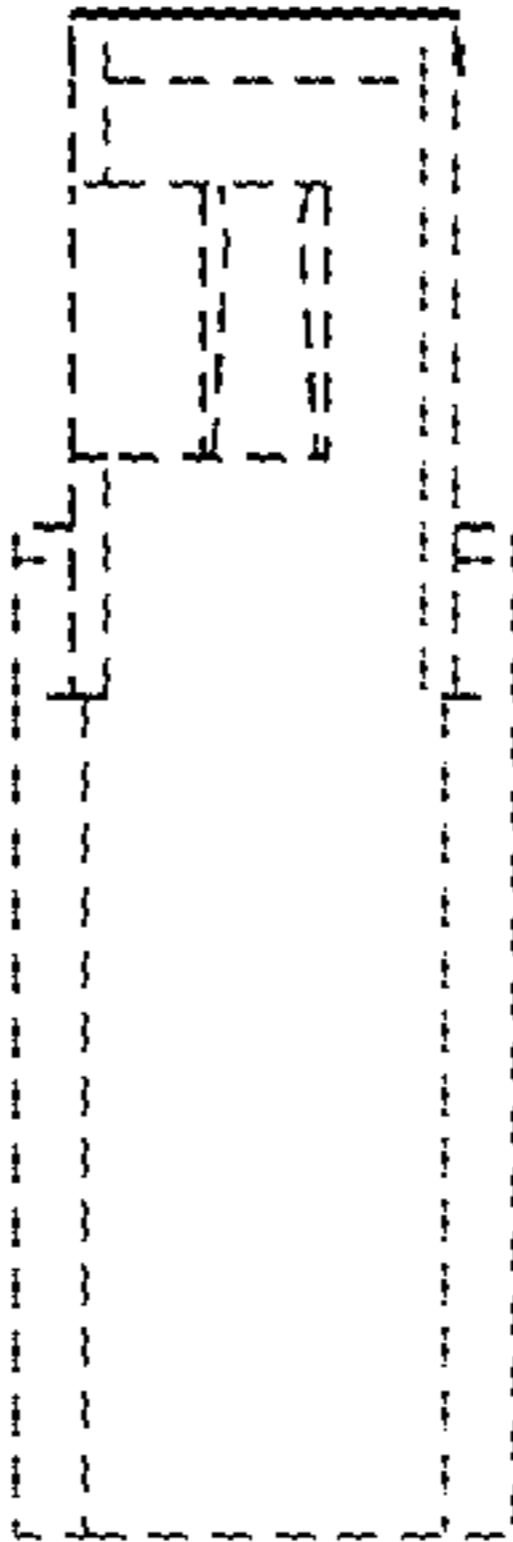


FIG. 7

UNITED STATES PATENT AND TRADEMARK OFFICE  
**CERTIFICATE OF CORRECTION**

PATENT NO. : D668,613 S  
APPLICATION NO. : 29/388885  
DATED : October 9, 2012  
INVENTOR(S) : Hung Viet Ngo

Page 1 of 1

It is certified that error appears in the above-identified patent and that said Letters Patent is hereby corrected as shown below:

Title Page, Item (57) DESCRIPTION: Replace first paragraph of Description with the following paragraph:

This application is related by subject matter to **U.S. Provisional Patent Application No. 61/352,231** entitled “Electrical Card-Edge Connector” filed on **June 7, 2010**; U.S. Provisional Patent **Application No. 61/352,245** entitled “Electrical Card-Edge Connector” filed on June 7, 2010; U.S. Design Patent Application No. **29/363,269** entitled “Electrical Card-Edge Connector” filed on **June 7, 2010**; and U.S. Design Patent Application No. **29/363,270** entitled “Electrical Card-Edge Connector” filed on **June 7, 2010**.

Signed and Sealed this  
Twenty-fifth Day of June, 2013



Teresa Stanek Rea  
*Acting Director of the United States Patent and Trademark Office*