



US00D668608S

(12) **United States Design Patent**
Itoh et al.

(10) **Patent No.:** **US D668,608 S**
(45) **Date of Patent:** **** Oct. 9, 2012**

(54) **POWER SUPPLY DEVICE**

(75) Inventors: **Takafumi Itoh**, Hitachinaka (JP);
Masanori Okada, Hitachinaka (JP);
Hiroyuki Hasegawa, Hitachinaka (JP);
Masayuki Ogura, Hitachinaka (JP);
Takuhiro Murakami, Hitachinaka (JP)

(73) Assignee: **Hitachi Koki Co., Ltd.**, Tokyo (JP)

(**) Term: **14 Years**

(21) Appl. No.: **29/410,892**

(22) Filed: **Jan. 13, 2012**

(30) **Foreign Application Priority Data**

Jul. 17, 2011 (JP) 2011-016407

(51) **LOC (9) Cl.** **13-01**

(52) **U.S. Cl.** **D13/116**

(58) **Field of Classification Search** D13/116,
D13/101, 106, 107, 110, 112, 118, 119, 122,
D13/184, 199; D16/239, 250; 290/1 A, 1 B;
307/64, 150, 151, 153; 320/103, 104, 105,
320/107, 111

See application file for complete search history.

(56) **References Cited**

U.S. PATENT DOCUMENTS

D314,743 S * 2/1991 Ishii D13/116
5,121,715 A * 6/1992 Nogami et al. 123/41.7

D407,065 S * 3/1999 Chang D13/110
D423,451 S * 4/2000 Heckenast et al. D13/110
D486,446 S * 2/2004 Hriscu et al. D13/110
D572,657 S * 7/2008 Li D13/116
D579,870 S * 11/2008 Dunbar et al. D13/116
D641,318 S * 7/2011 Maeda D13/116

* cited by examiner

Primary Examiner — Derrick Holland

(74) *Attorney, Agent, or Firm* — Sughrue Mion, PLLC

(57) **CLAIM**

The ornamental design for a power supply device, as shown and described.

DESCRIPTION

FIG. 1 is a front perspective view of the power supply device showing our new design;

FIG. 2 is a front view thereof

FIG. 3 is a rear view thereof

FIG. 4 is a left side view thereof;

FIG. 5 is a right side view thereof;

FIG. 6 is a top plan view thereof;

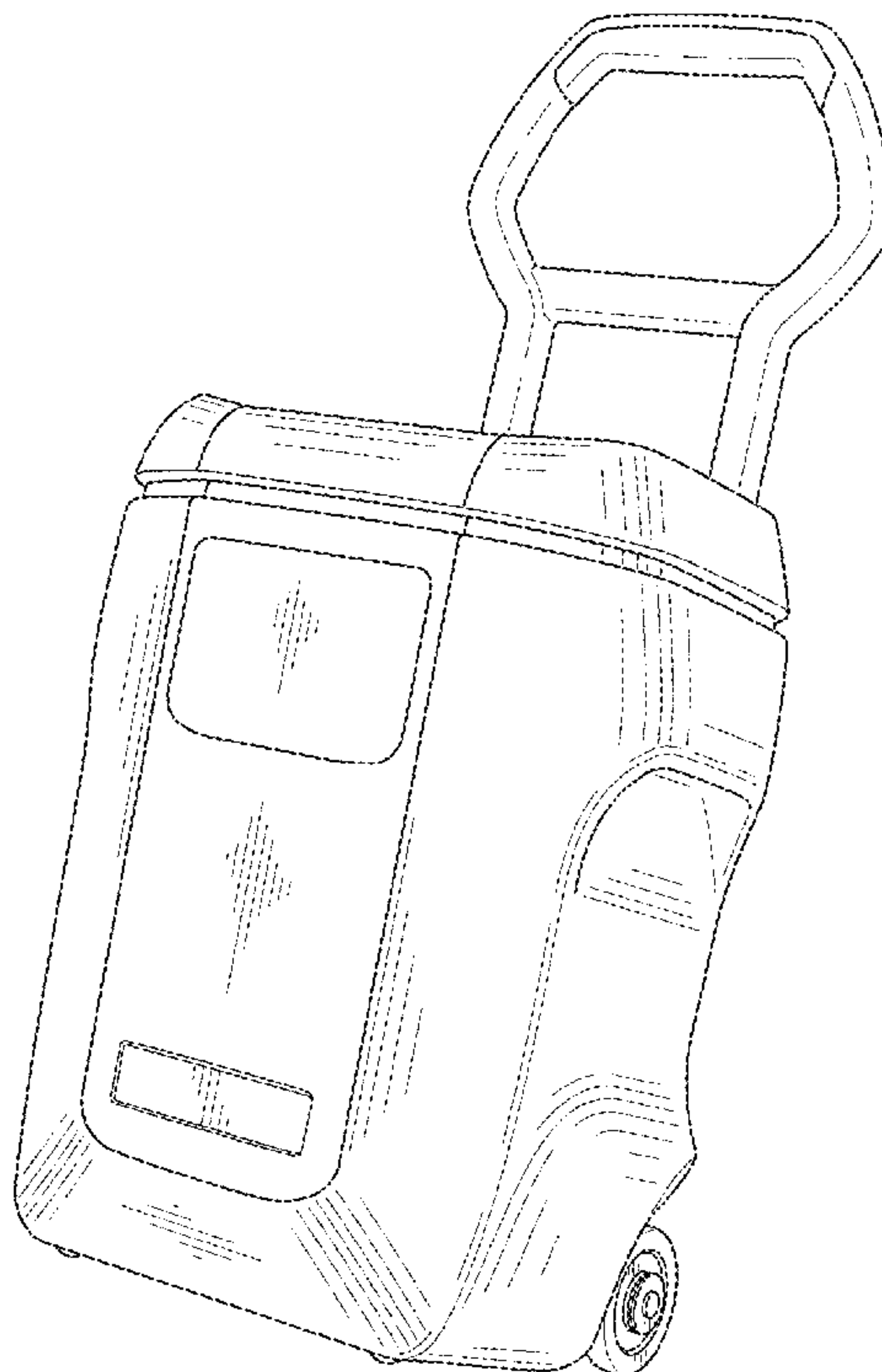
FIG. 7 is a bottom plan view thereof;

FIG. 8 is a front view thereof, with the handle shown in an alternate position; and,

FIG. 9 is a front perspective view thereof, shown in environmental use.

The broken lines shown represent unclaimed subject matter and form no part of the claimed design.

1 Claim, 5 Drawing Sheets



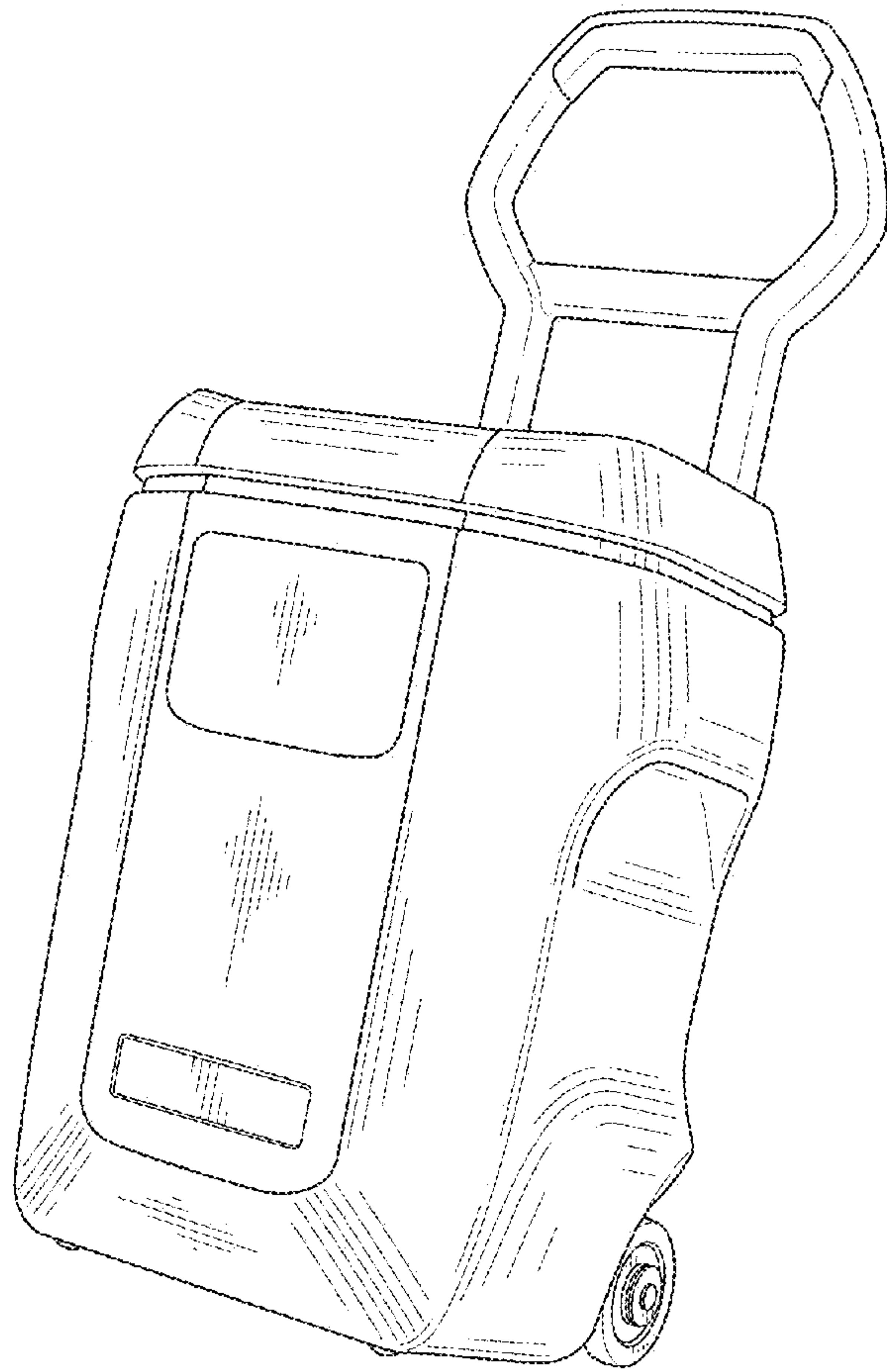


FIG. 1

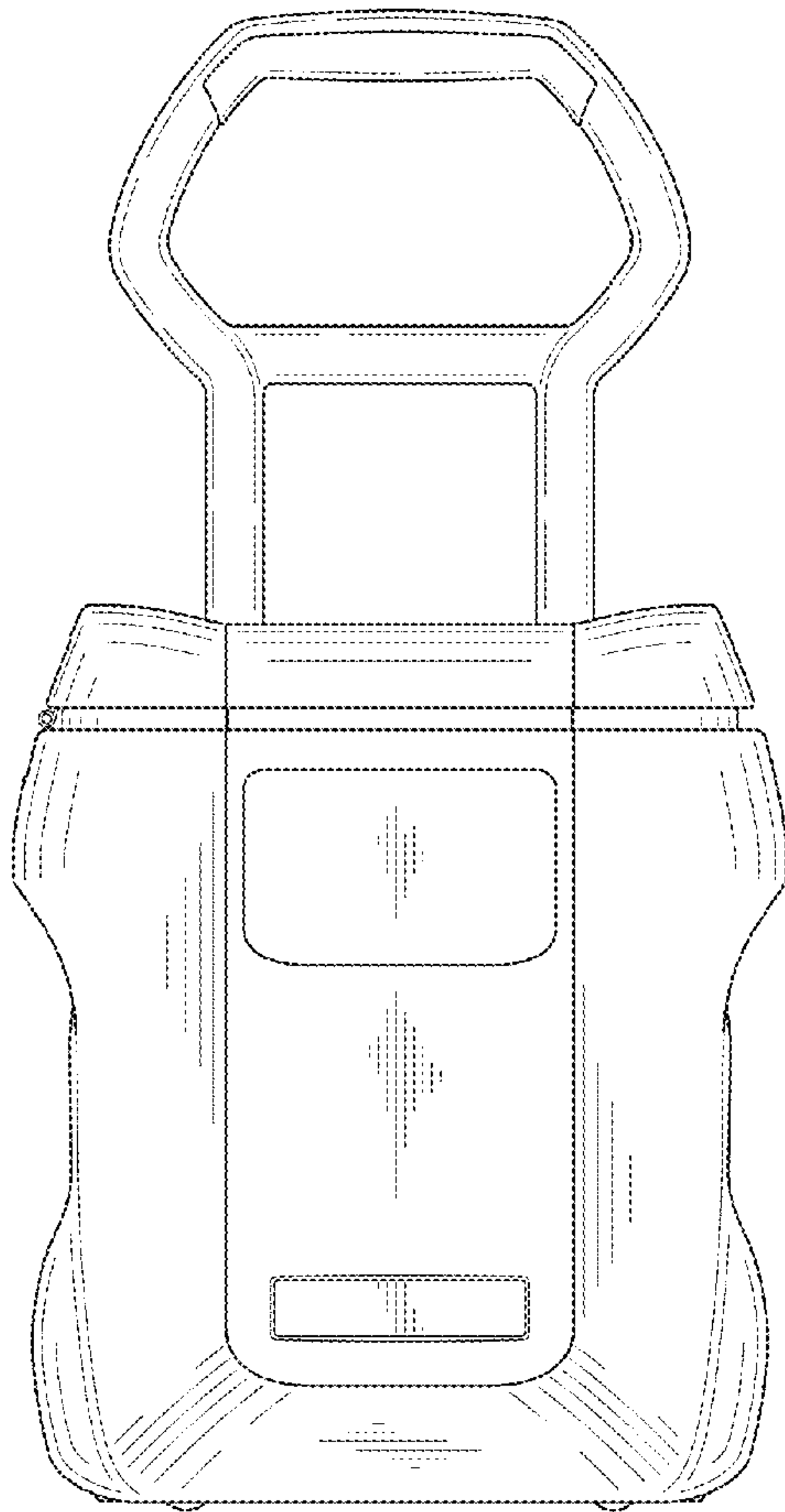


FIG. 2

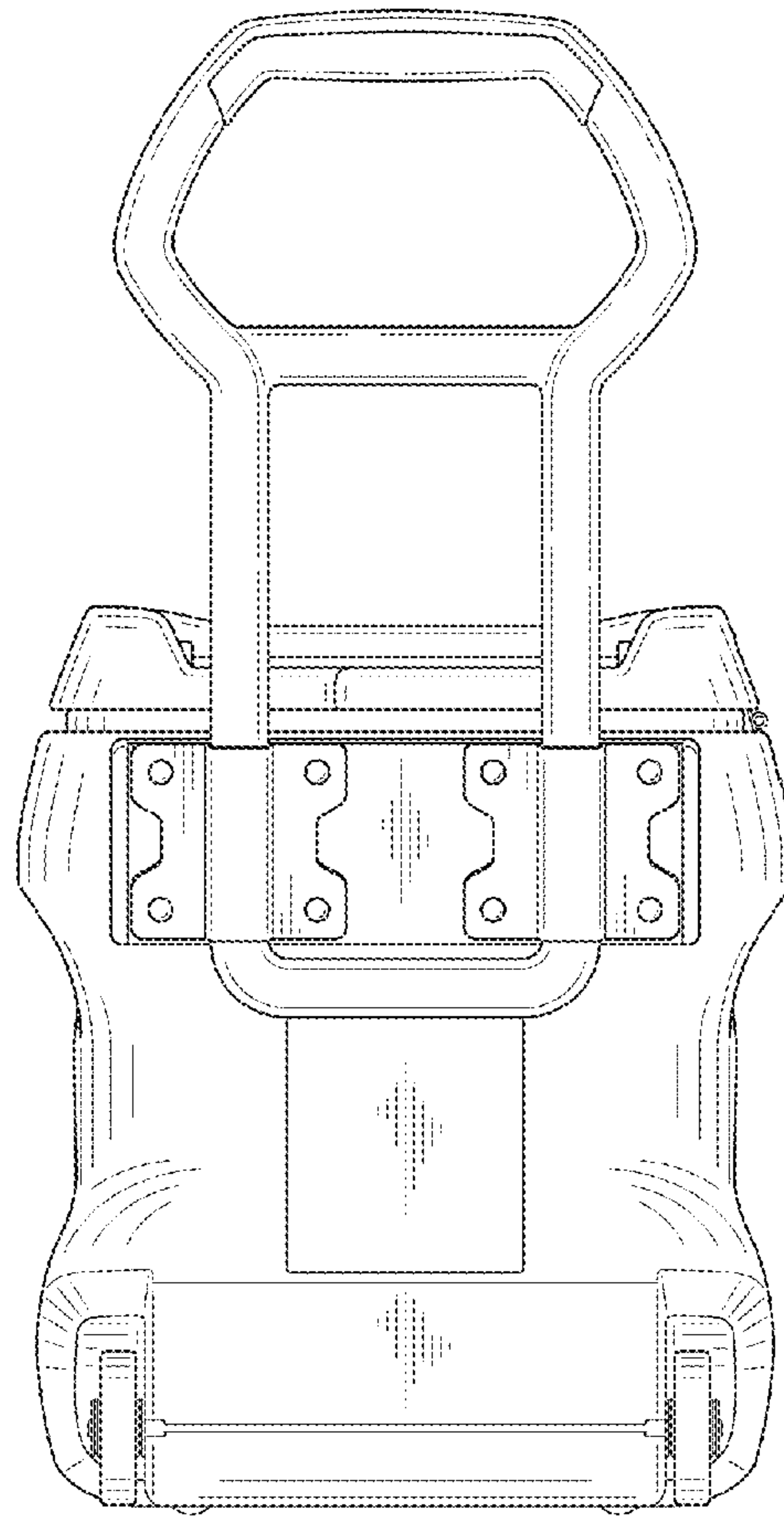


FIG. 3

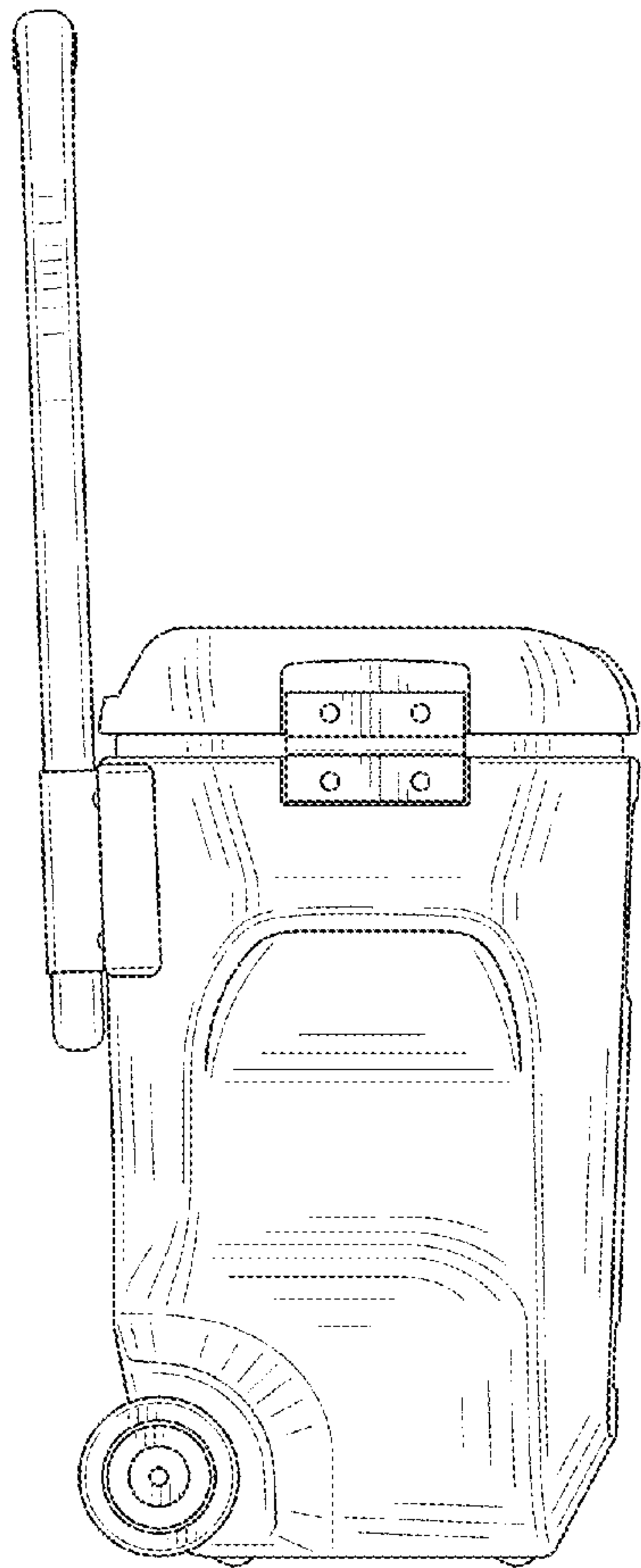


FIG. 4

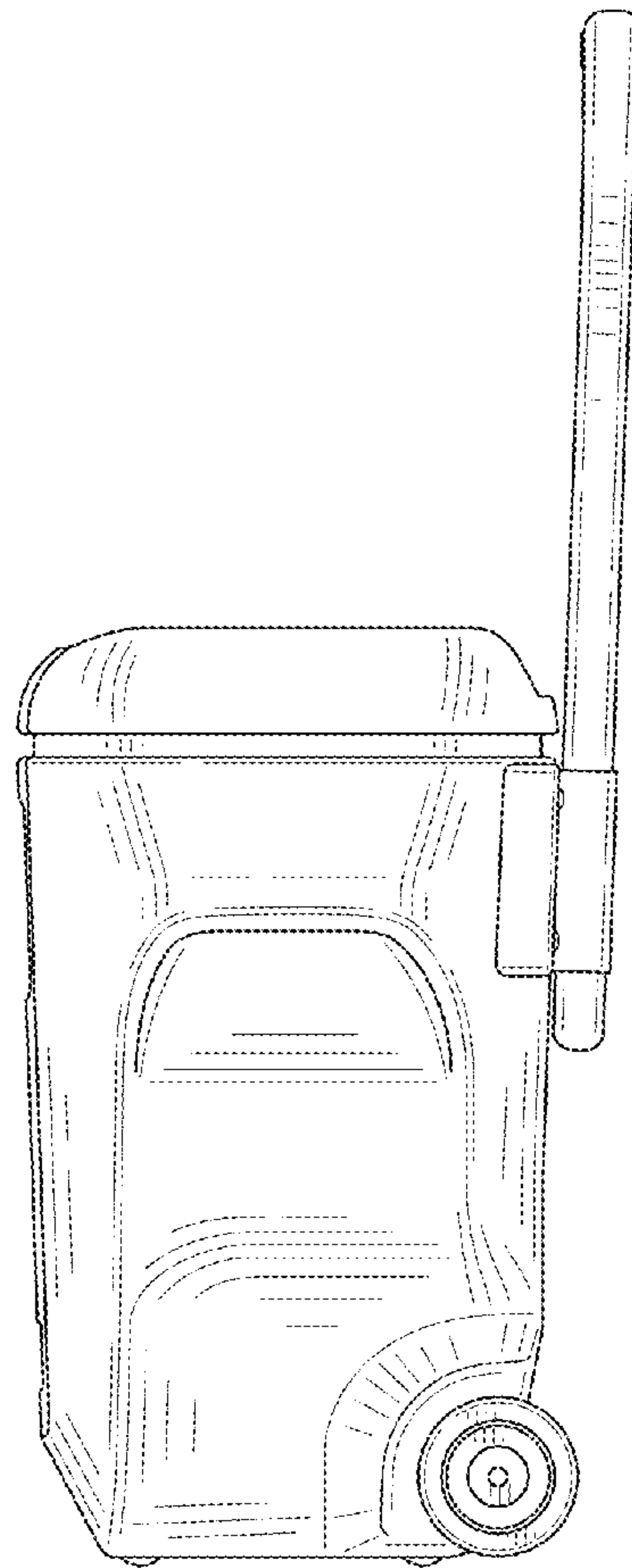


FIG. 5

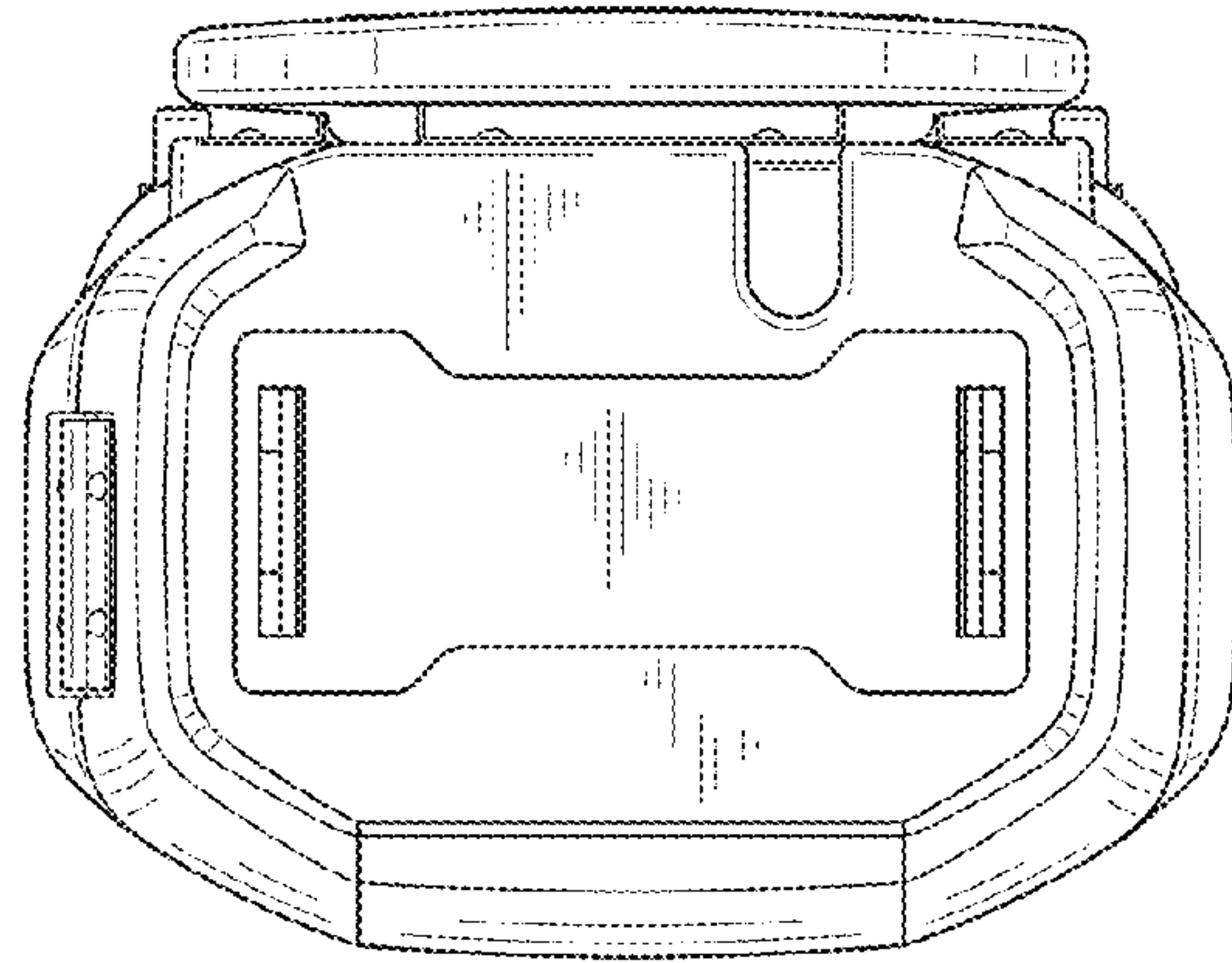


FIG. 6

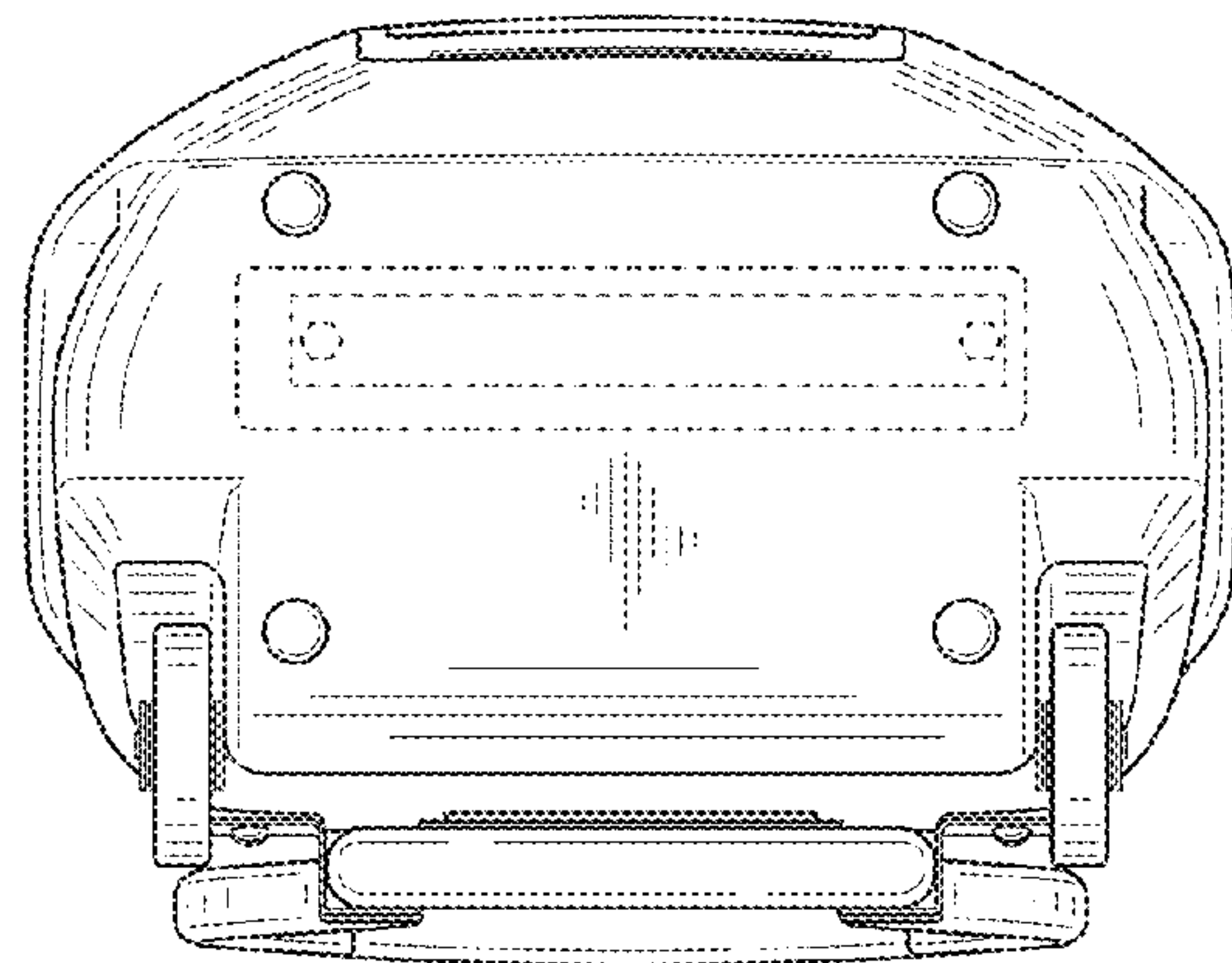


FIG. 7

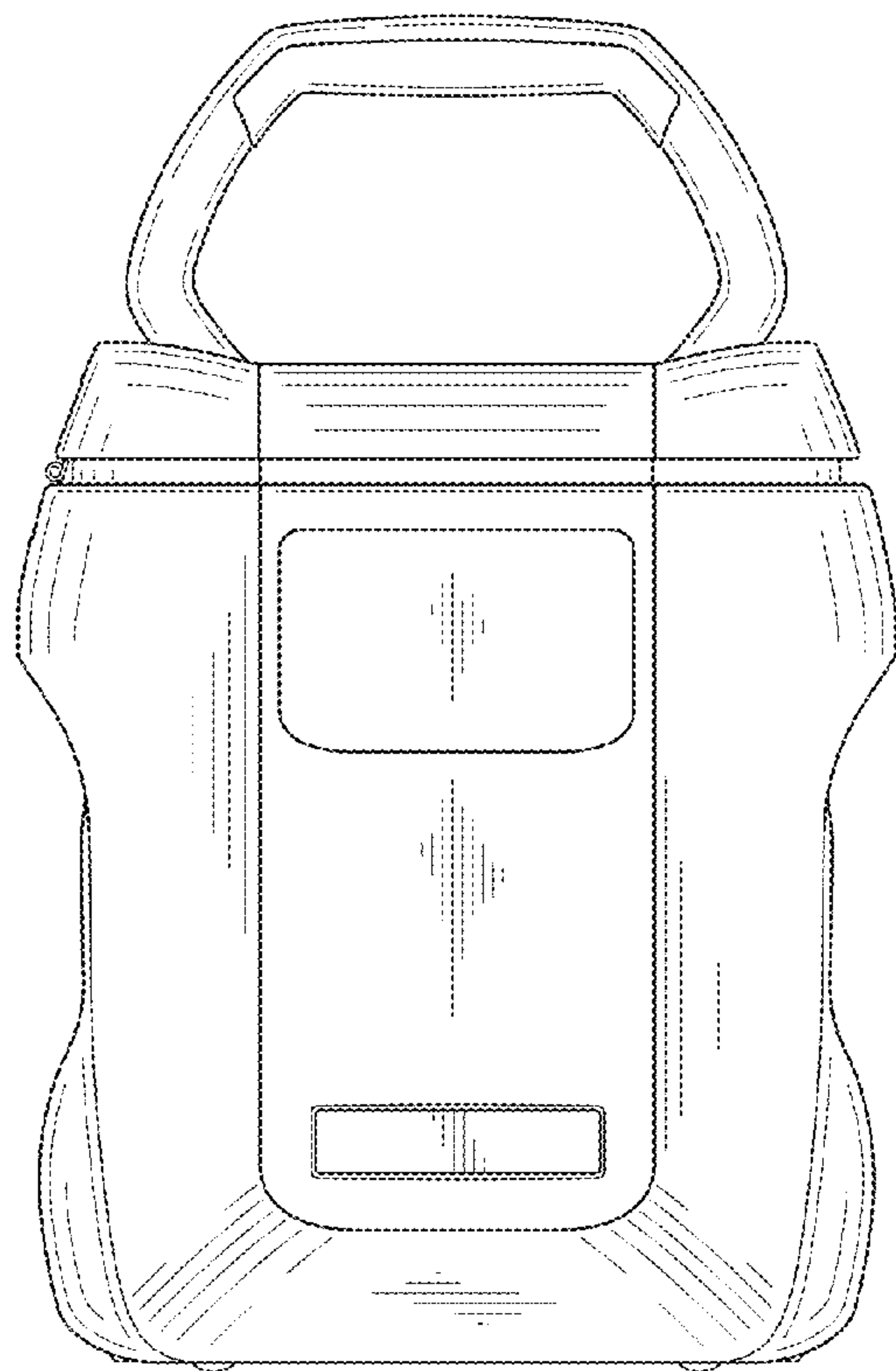


FIG. 8

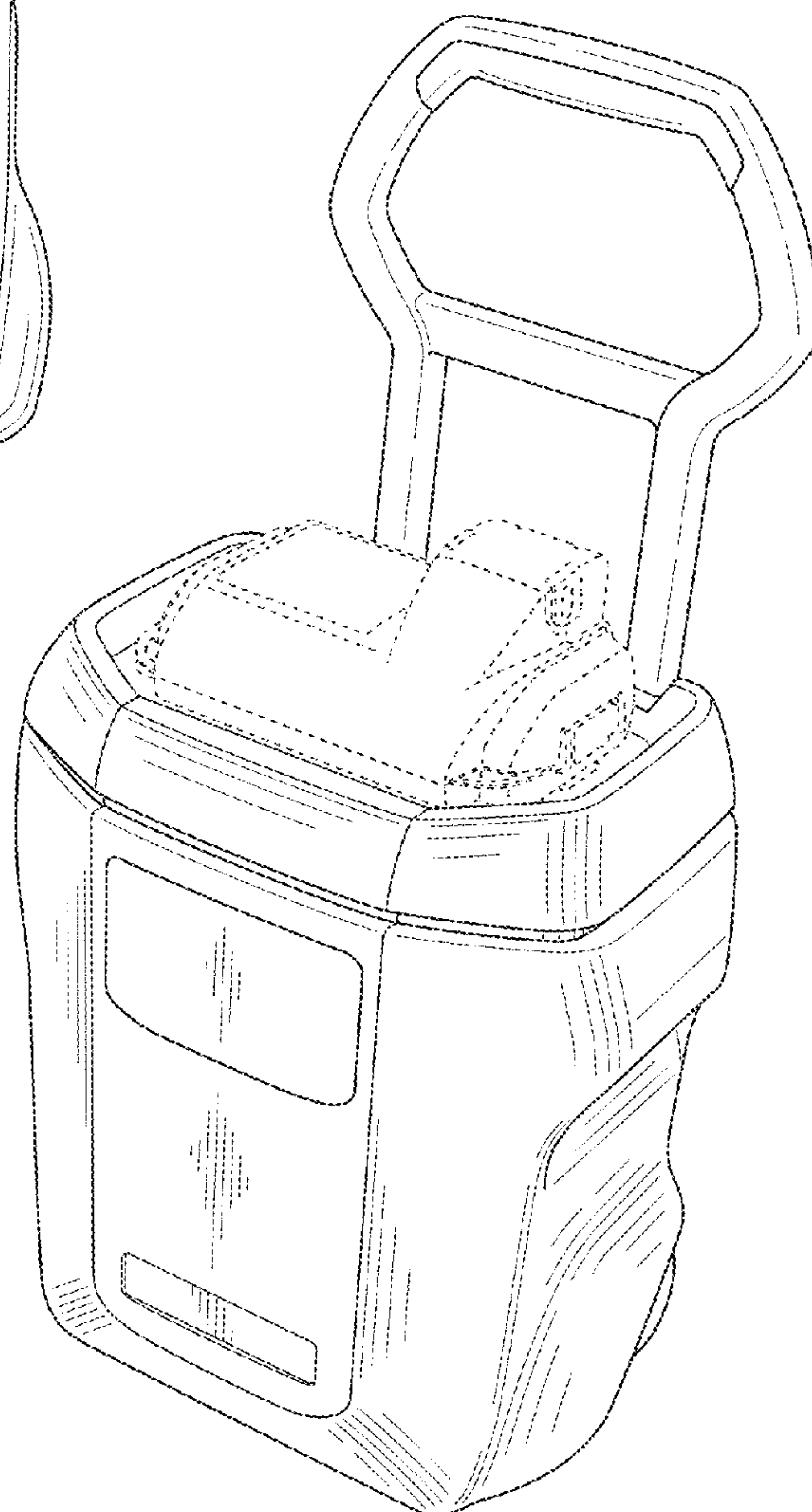


FIG. 9