



US00D668607S

(12) **United States Design Patent**
van Deursen

(10) **Patent No.:** **US D668,607 S**
(45) **Date of Patent:** **** Oct. 9, 2012**

- (54) **FRAME FOR OUTDOOR POWER EQUIPMENT**
- (75) Inventor: **Gary E. van Deursen**, Essex, CT (US)
- (73) Assignee: **Briggs & Stratton Corporation**, Wauwatosa, WI (US)
- (**) Term: **14 Years**
- (21) Appl. No.: **29/357,175**
- (22) Filed: **Mar. 8, 2010**
- (51) **LOC (9) Cl.** **13-01**
- (52) **U.S. Cl.** **D13/116**
- (58) **Field of Classification Search** D13/116, D13/112, 114, 122, 184, 199; D6/329, 462; D15/33; D34/12, 17, 23, 24, 26; 219/56, 219/57; 290/1 A, 1 B, 1 R; 307/150, 153; 310/50, 89, 158, 418; 123/2, 3
See application file for complete search history.

6,952,056	B2	10/2005	Brandenburg et al.
6,975,216	B2	12/2005	Tharman et al.
6,998,725	B2	2/2006	Brandenburg et al.
7,015,404	B2	3/2006	Sodenmann et al.
7,015,599	B2	3/2006	Gull et al.
7,053,497	B2	5/2006	Sodemann et al.
7,057,108	B1	6/2006	Sodemann et al.
7,104,847	B2	9/2006	Sodemann et al.
7,148,580	B2	12/2006	Sodemann et al.
7,161,253	B2	1/2007	Sodemann et al.
7,314,397	B2	1/2008	Sodemann et al.

(Continued)

OTHER PUBLICATIONS

Product Information taken from www.briggsandstratton.com/engine_power/details.aspx printed on Feb. 17, 2010, 16 pages.

Primary Examiner — Derrick Holland
(74) *Attorney, Agent, or Firm* — Foley & Lardner LLP

(57) **CLAIM**
I claim the ornamental design for a frame for outdoor power equipment, as shown and described.

(56) **References Cited**

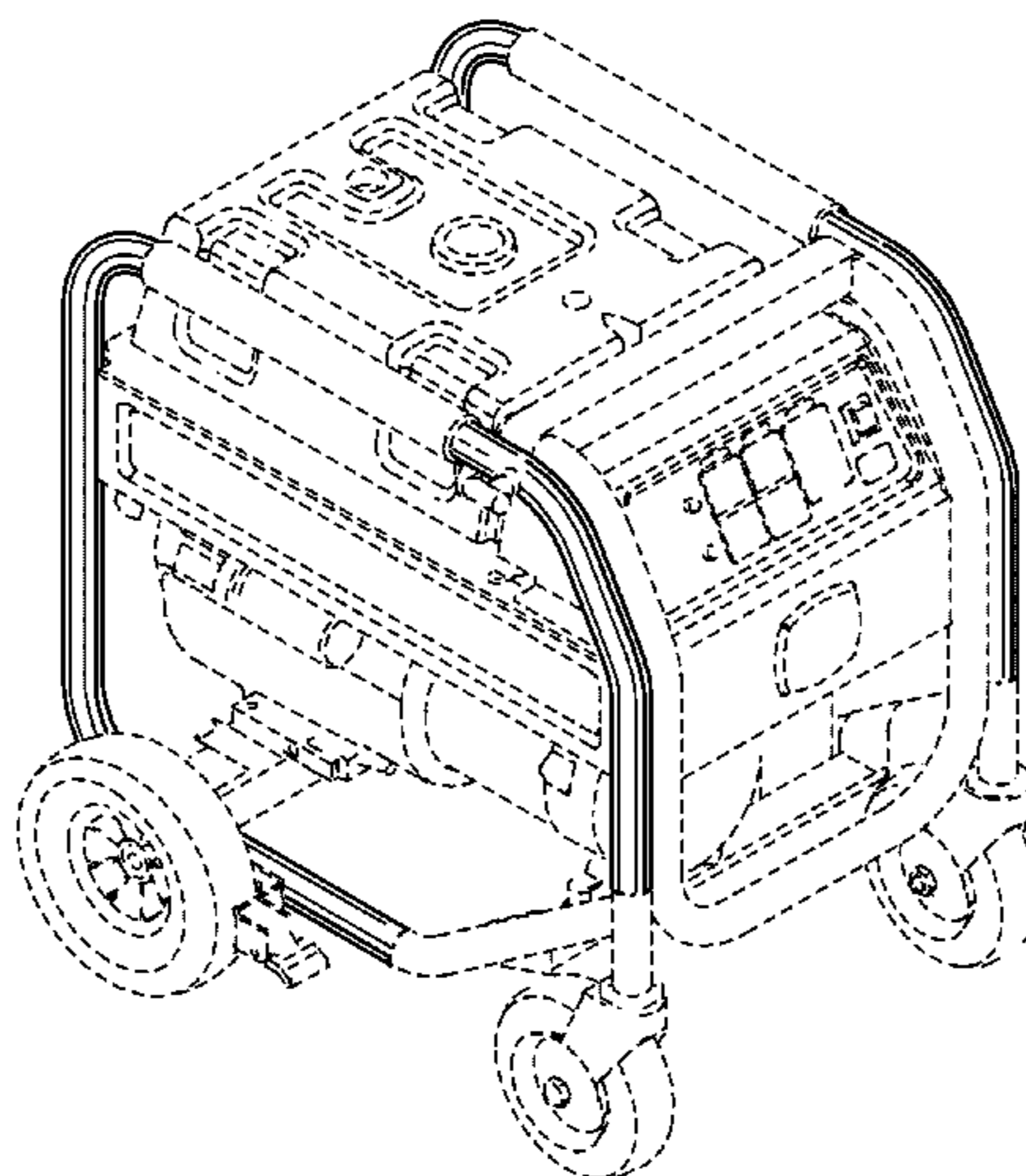
DESCRIPTION

U.S. PATENT DOCUMENTS

D106,969	S	11/1937	Gerald	
D276,997	S	1/1985	Mikado	
4,503,812	A *	3/1985	Eberhardt	123/2
D278,425	S	4/1985	Toshihiko	
D284,415	S	6/1986	Cahoon	
D293,904	S	1/1988	Murakami et al.	
4,741,505	A	5/1988	Anderson	
5,965,949	A	10/1999	Fukuda et al.	
D418,809	S	1/2000	Frank	
6,424,060	B1	7/2002	Shiely et al.	
D472,519	S	4/2003	Buck	
D484,565	S	12/2003	Ariaz	
D486,447	S	2/2004	Fan	
D489,327	S	5/2004	Imai	
6,750,556	B2	6/2004	Sodemann et al.	
6,758,169	B2 *	7/2004	Suzuki et al.	123/3
D494,929	S	8/2004	Imai	
6,777,846	B2	8/2004	Feldner et al.	
D501,182	S	1/2005	Buck	
6,935,642	B1	8/2005	Craig et al.	

FIG. 1 is a front perspective view of a frame for outdoor power equipment;
FIG. 2 is a left side view thereof;
FIG. 3 is a front view thereof;
FIG. 4 is a right side view thereof;
FIG. 5 is a rear view thereof;
FIG. 6 is a top plan view thereof;
FIG. 7 is a bottom plan view thereof; and,
FIG. 8 is a perspective view thereof, shown in an alternate configuration.
The broken lines shown represent unclaimed subject matter and form no part of the claim. Where broken lines abut a claimed surface it is understood that those broken lines represent an unclaimed boundary between claimed and unclaimed surfaces. None of the broken lines form any part of the claimed design.

1 Claim, 8 Drawing Sheets



US D668,607 S

Page 2

U.S. PATENT DOCUMENTS

D563,320 S *	3/2008	Buck	D13/116	D580,860 S *	11/2008	Xi-Ren	D13/122
D567,175 S	4/2008	Knuteson et al.		7,471,505 B2	12/2008	Gull et al.	
7,356,384 B2	4/2008	Gull et al.		7,492,050 B2	2/2009	Brandenburg et al.	
D570,777 S *	6/2008	Glass et al.	D13/116	2008/0093862 A1	4/2008	Brandenburg et al.	
7,390,224 B2	6/2008	Sodemann et al.					

* cited by examiner

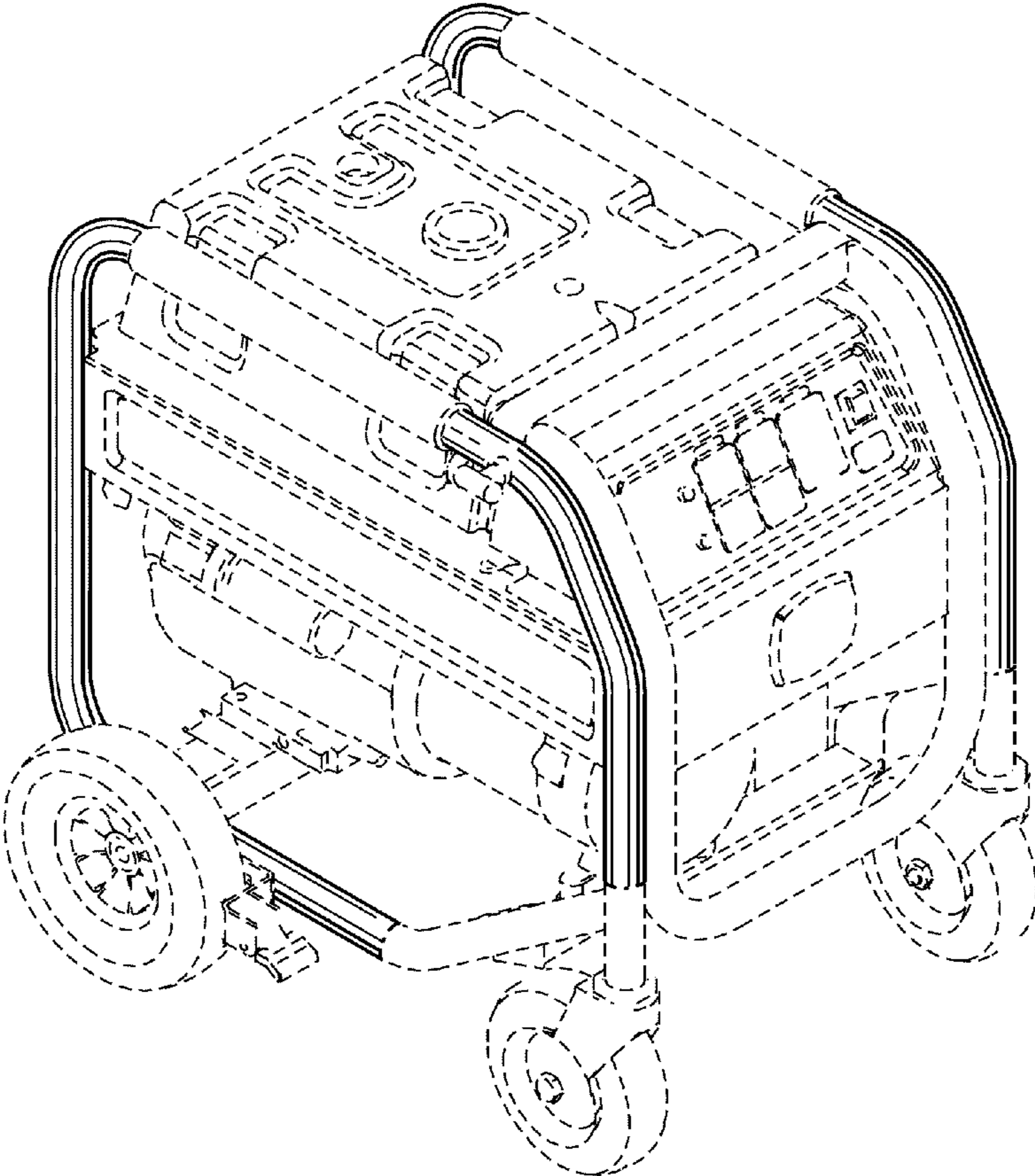


FIG. 1

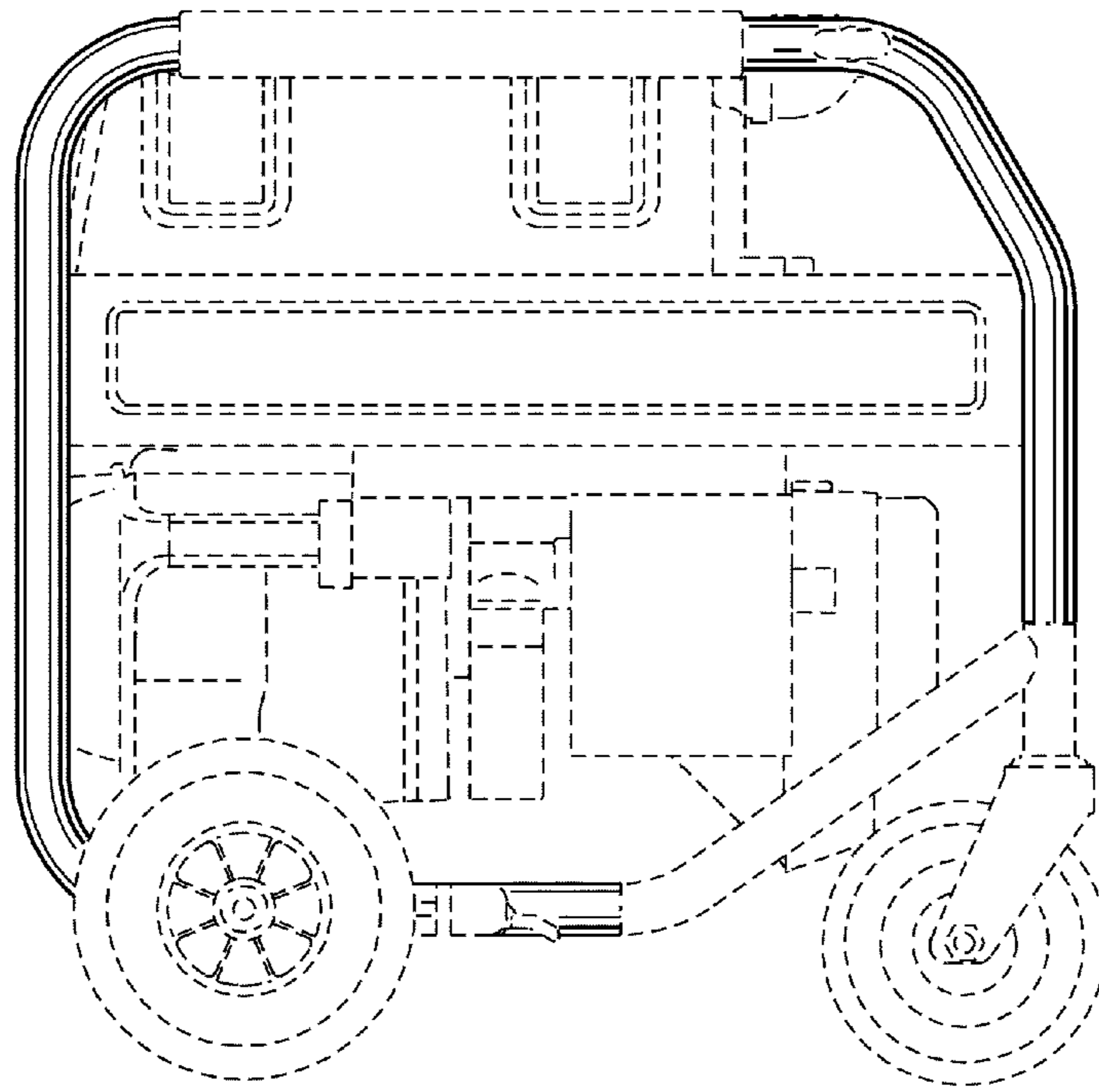


FIG. 2

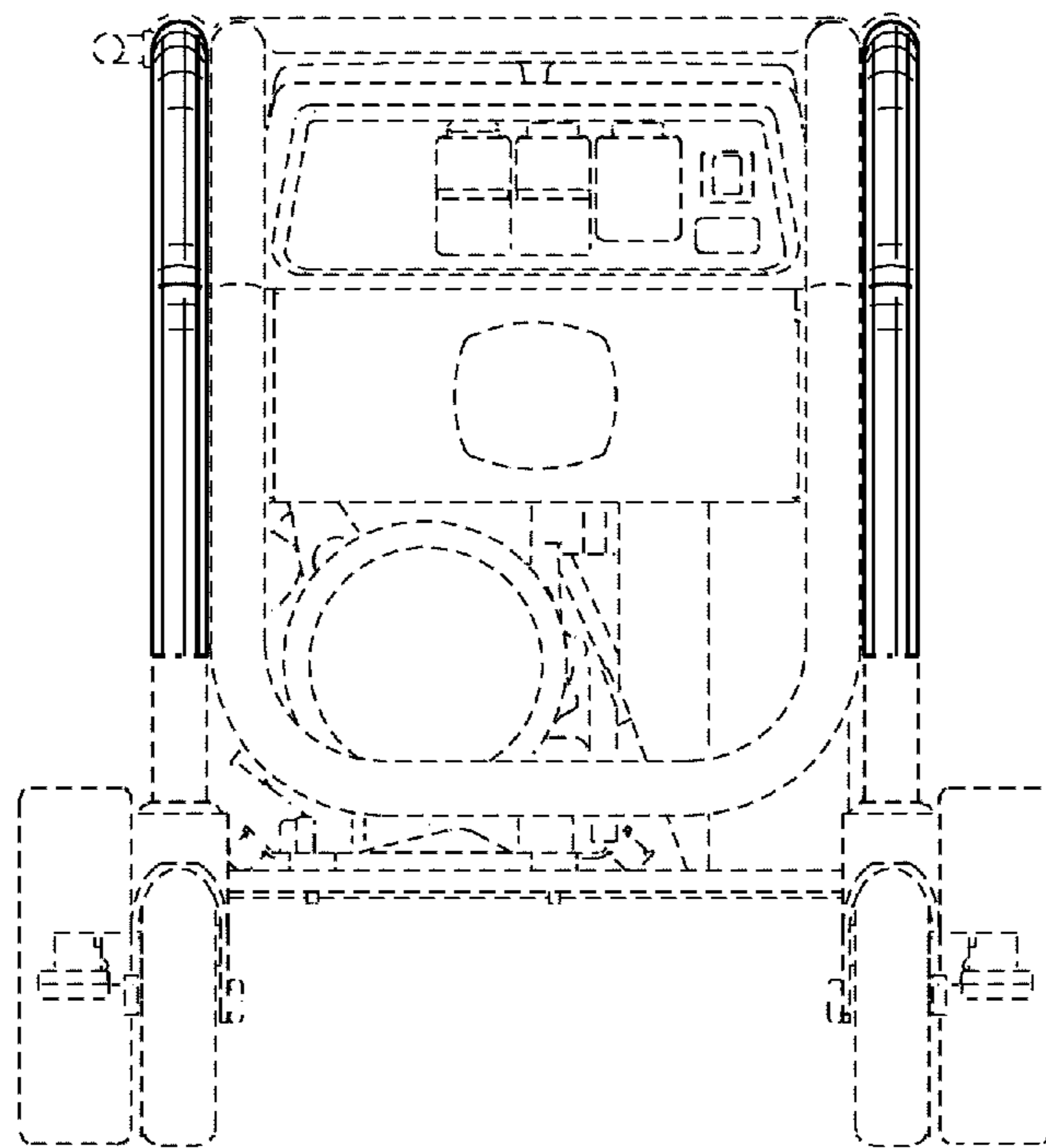


FIG. 3

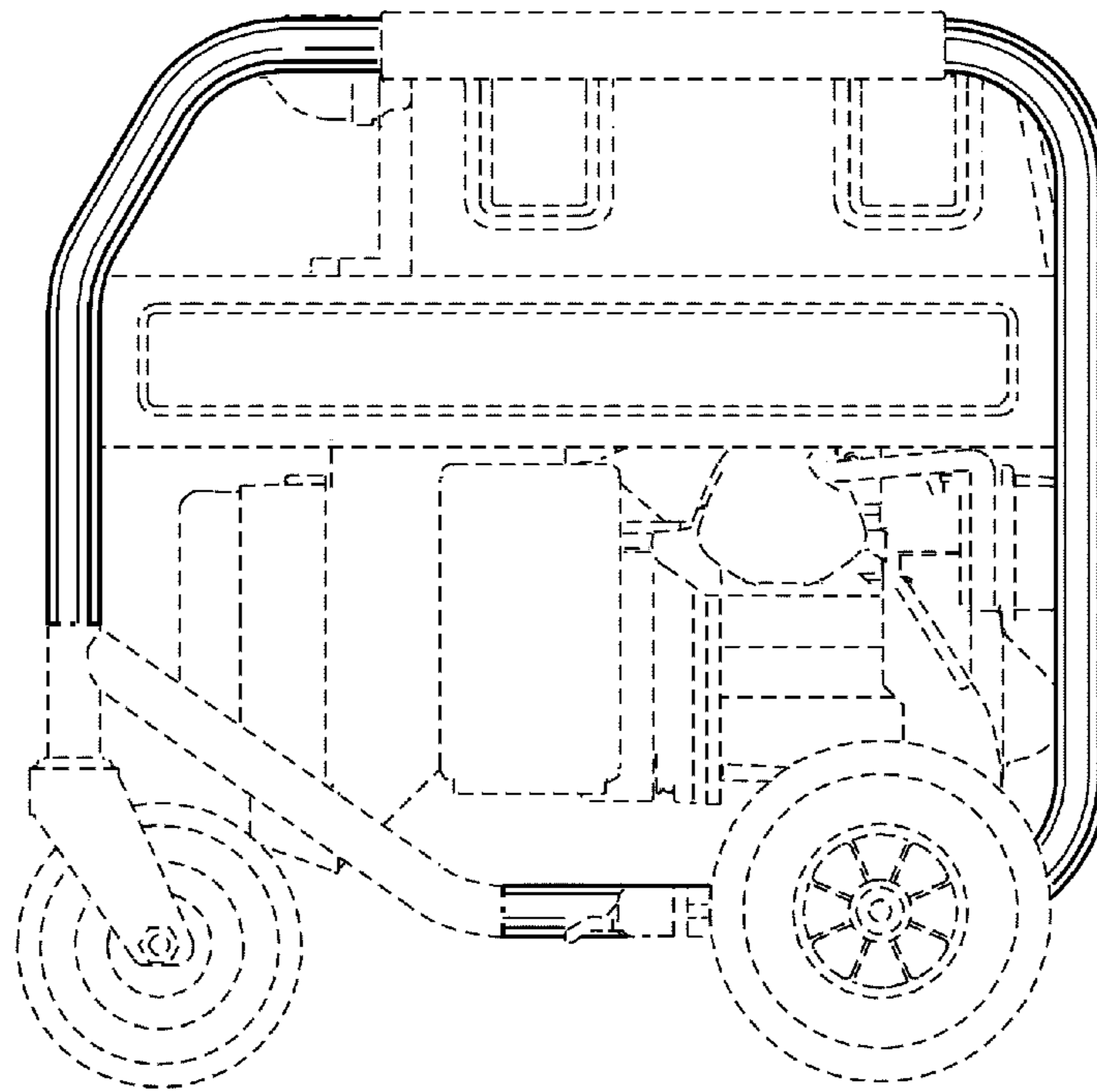


FIG. 4

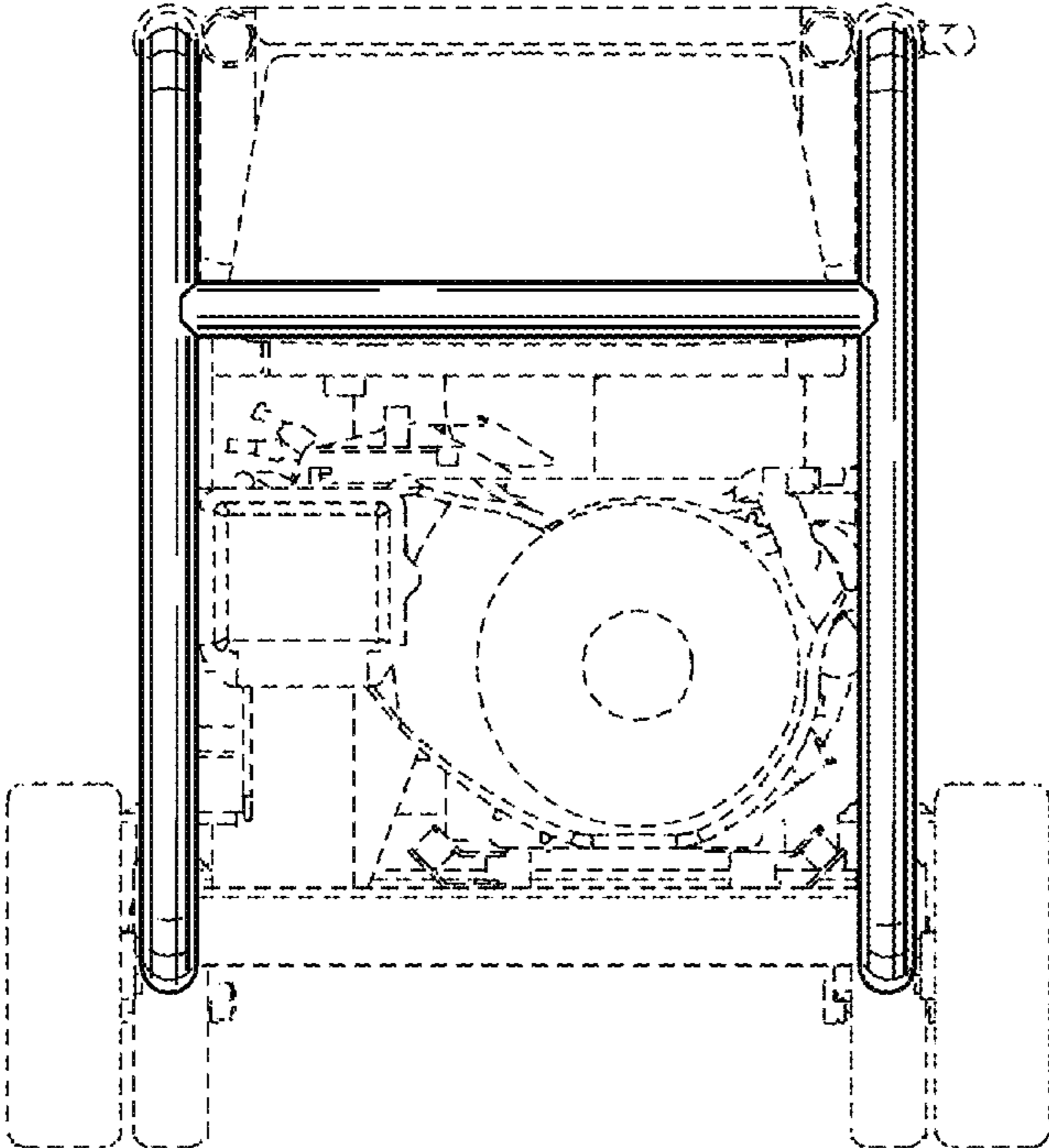


FIG. 5

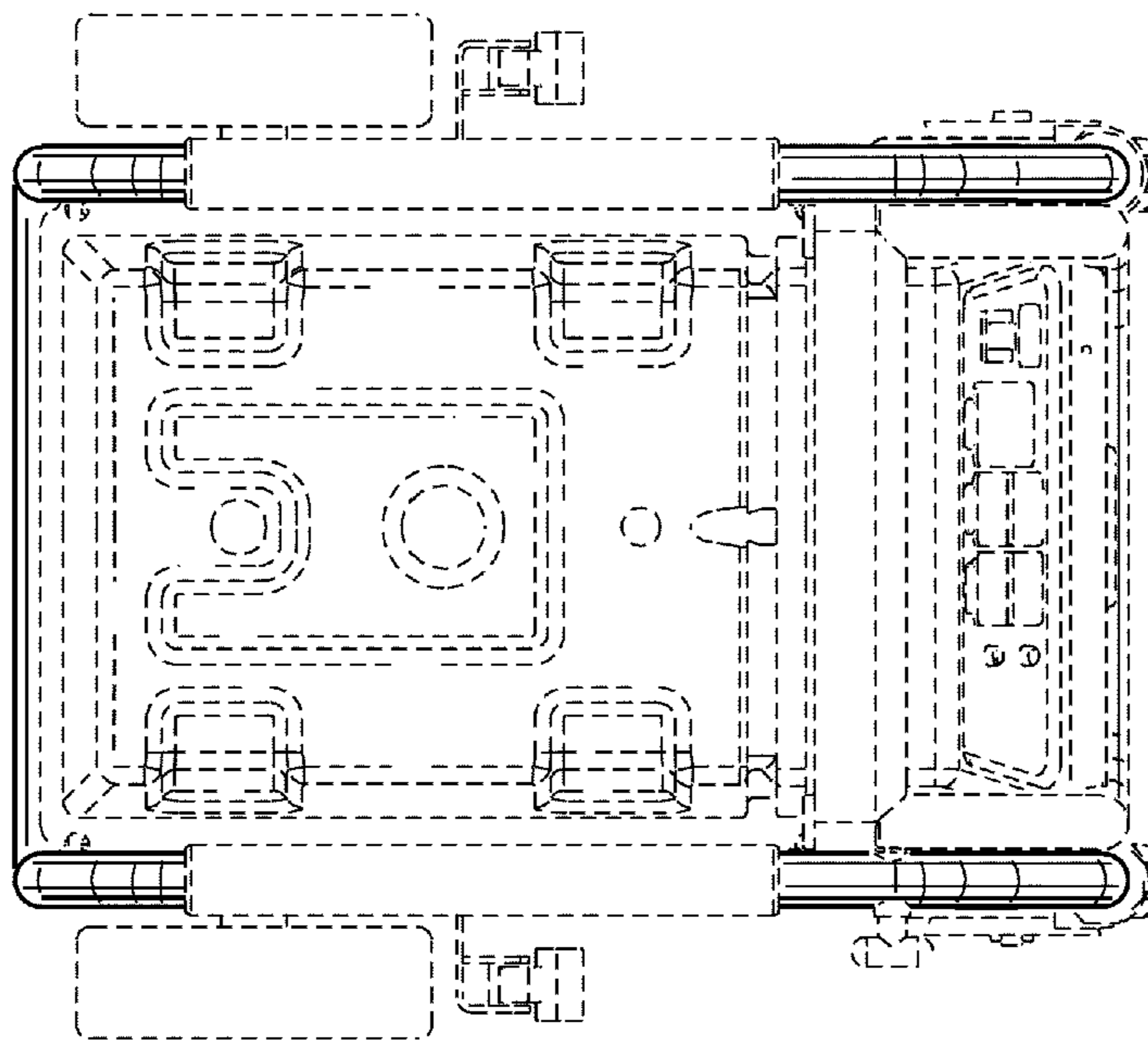


FIG. 6

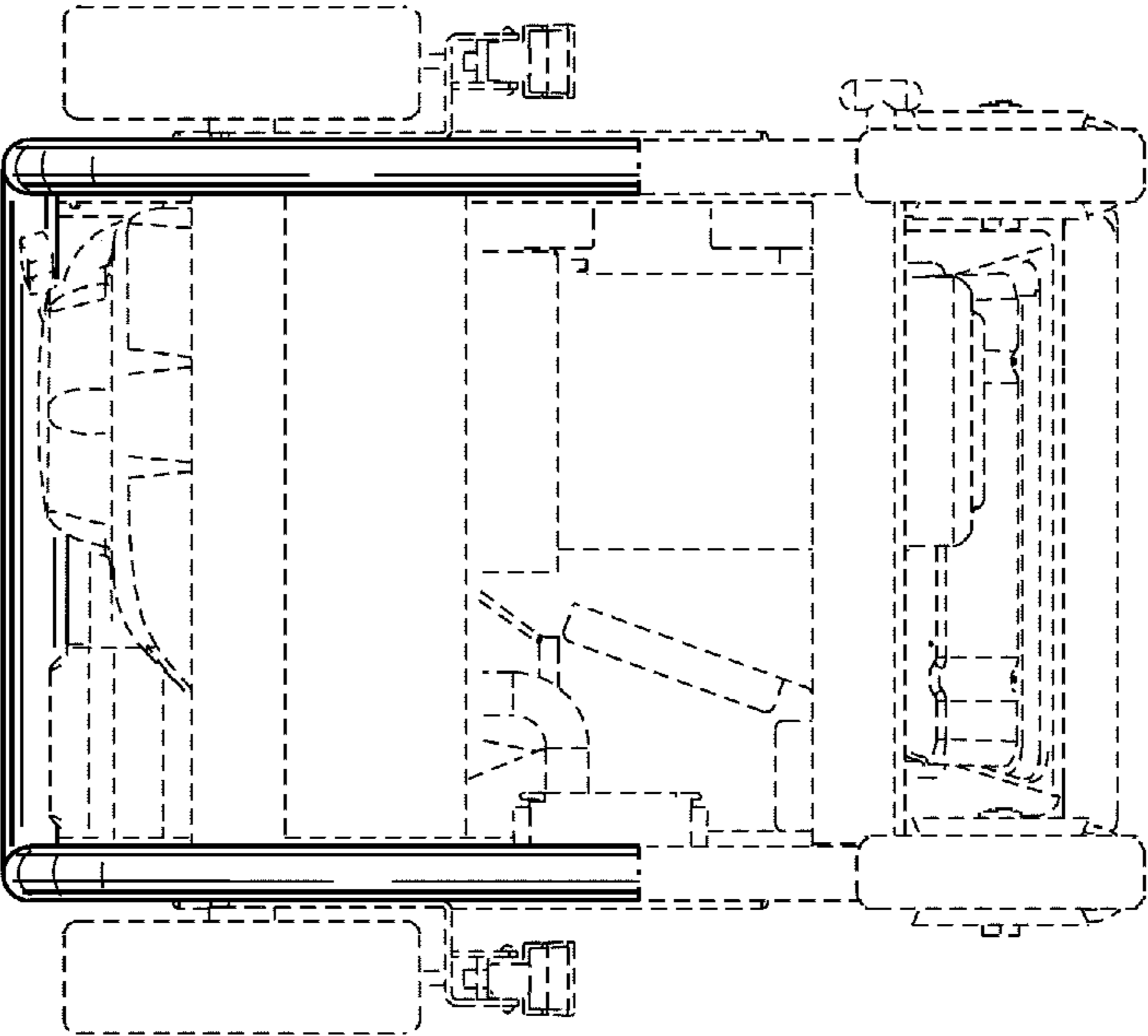


FIG. 7

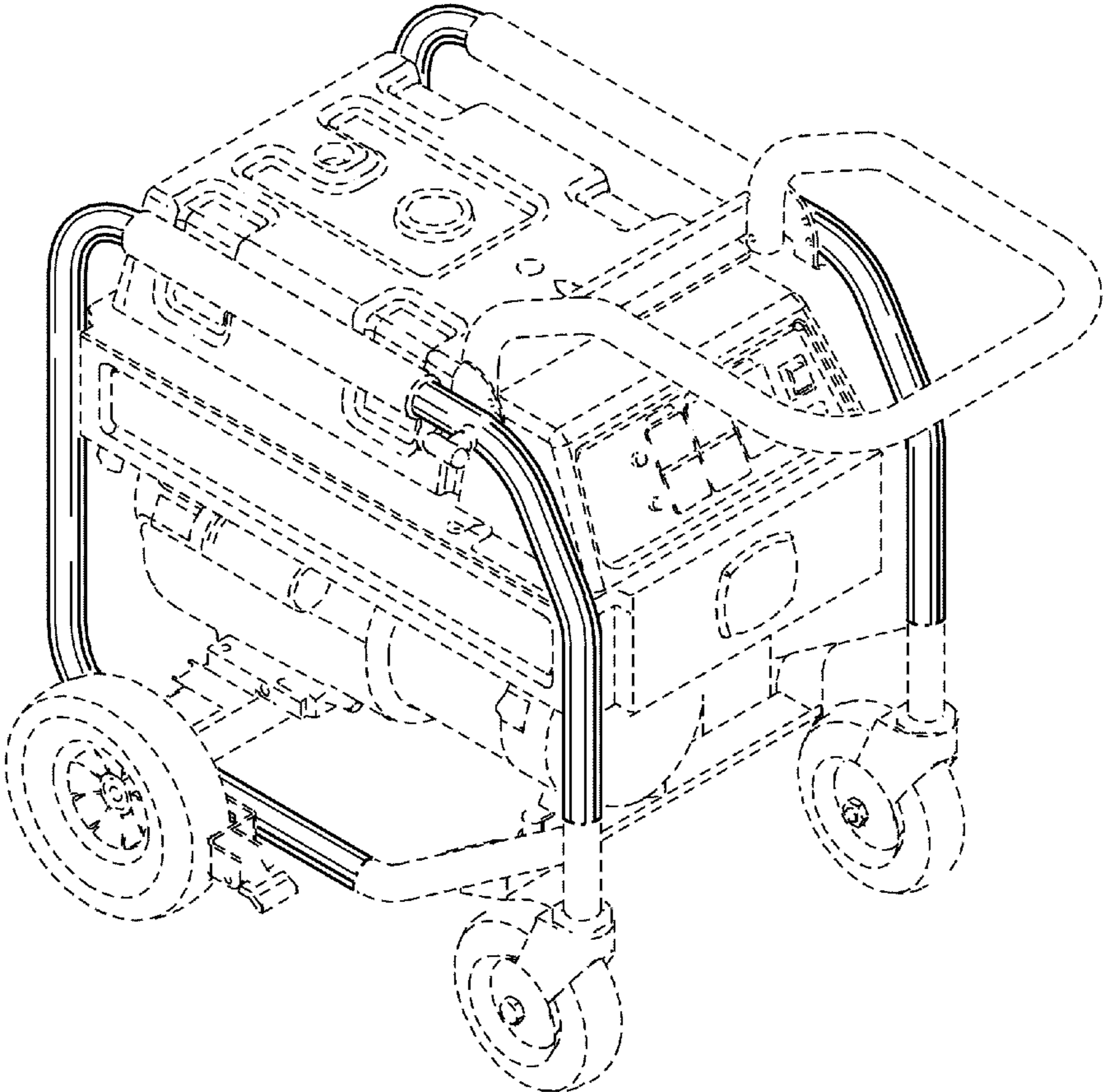


FIG. 8