



US00D668606S

(12) **United States Design Patent**  
**Lee**

(10) **Patent No.:** **US D668,606 S**  
(45) **Date of Patent:** **\*\* Oct. 9, 2012**

(54) **WINDMILL BLADE**

(76) Inventor: **Lawrence K. Lee**, Houston, TX (US)

(\*\*) Term: **14 Years**

(21) Appl. No.: **29/403,076**

(22) Filed: **Sep. 30, 2011**

(51) **LOC (9) Cl.** ..... **13-01**

(52) **U.S. Cl.** ..... **D13/115**

(58) **Field of Classification Search** ..... D13/115,  
D13/101, 118, 199; D15/1, 199; D21/458;  
29/889.6, 889.7; 52/40, 745.09; 228/144,  
228/173.6; 415/4.2, 4.4, 122.1, 191, 916;  
416/24, 37, 38, 141, 142, 176, 177, 196 A,  
416/197 A, 227 A, 227 R, 242; D23/370,  
D23/371, 375, 379, 411, 413

See application file for complete search history.

(56) **References Cited**

**U.S. PATENT DOCUMENTS**

D305,419 S \* 1/1990 Korneski ..... D13/115  
4,971,520 A \* 11/1990 Van Houten ..... 416/169 A

D374,656 S \* 10/1996 Richardson ..... D13/115  
5,624,234 A \* 4/1997 Neely et al. .... 416/238  
D509,584 S \* 9/2005 Li et al. .... D23/413  
D566,829 S \* 4/2008 Parker et al. .... D23/411  
D570,999 S \* 6/2008 Harman et al. .... D23/413  
D584,685 S \* 1/2009 Murakami ..... D13/115  
D587,195 S \* 2/2009 van Wijck ..... D13/115  
D605,590 S \* 12/2009 Chen et al. .... D13/115

\* cited by examiner

*Primary Examiner* — Derrick Holland

(74) *Attorney, Agent, or Firm* — Egbert Law Offices, PLLC

(57) **CLAIM**

The ornamental design for a windmill blade, as shown and described.

**DESCRIPTION**

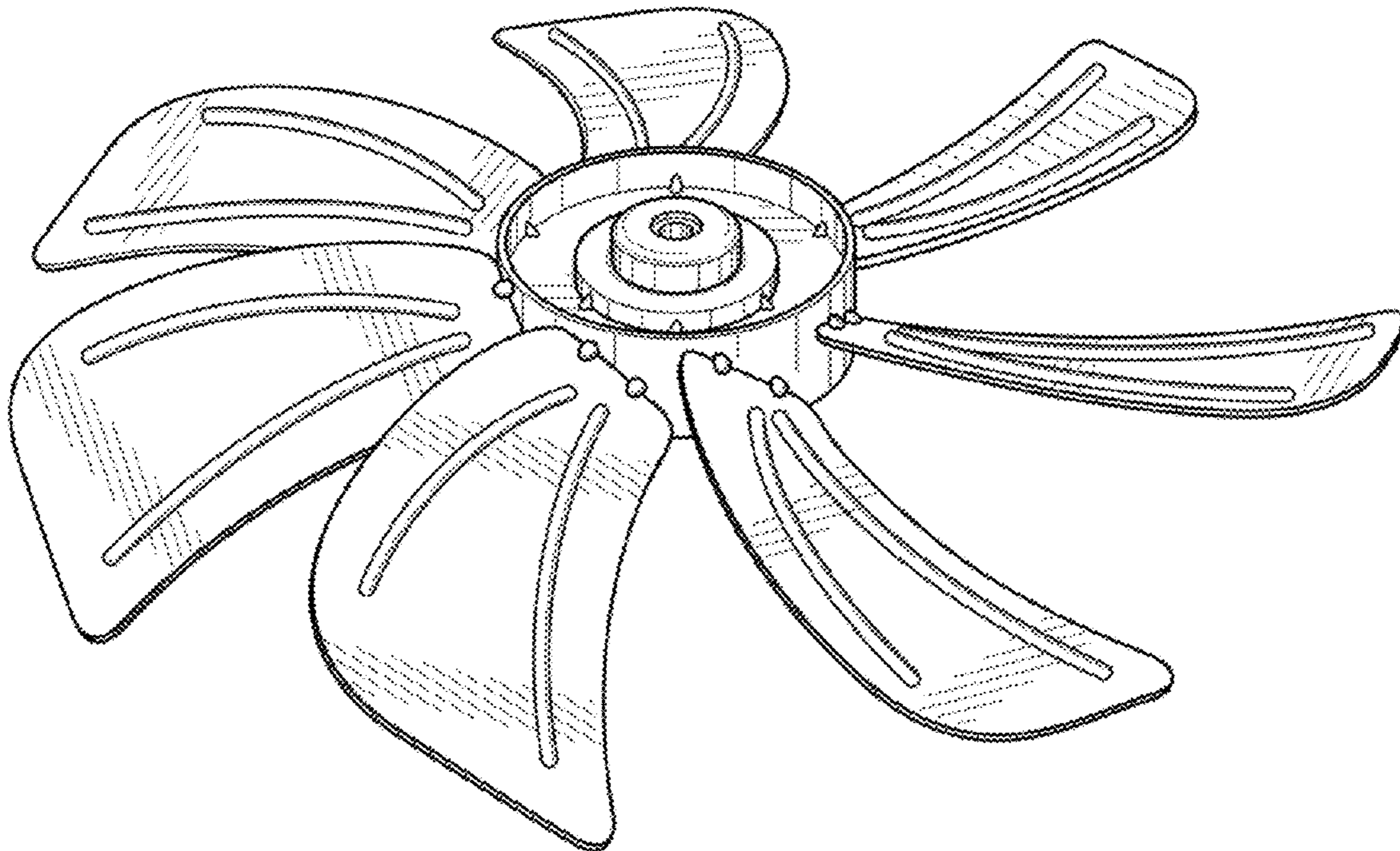
FIG. 1 is an upper perspective view of the windmill blade showing my design.

FIG. 2 is a side view thereof;

FIG. 3 is a top view thereof; and,

FIG. 4 is a bottom view thereof.

**1 Claim, 3 Drawing Sheets**



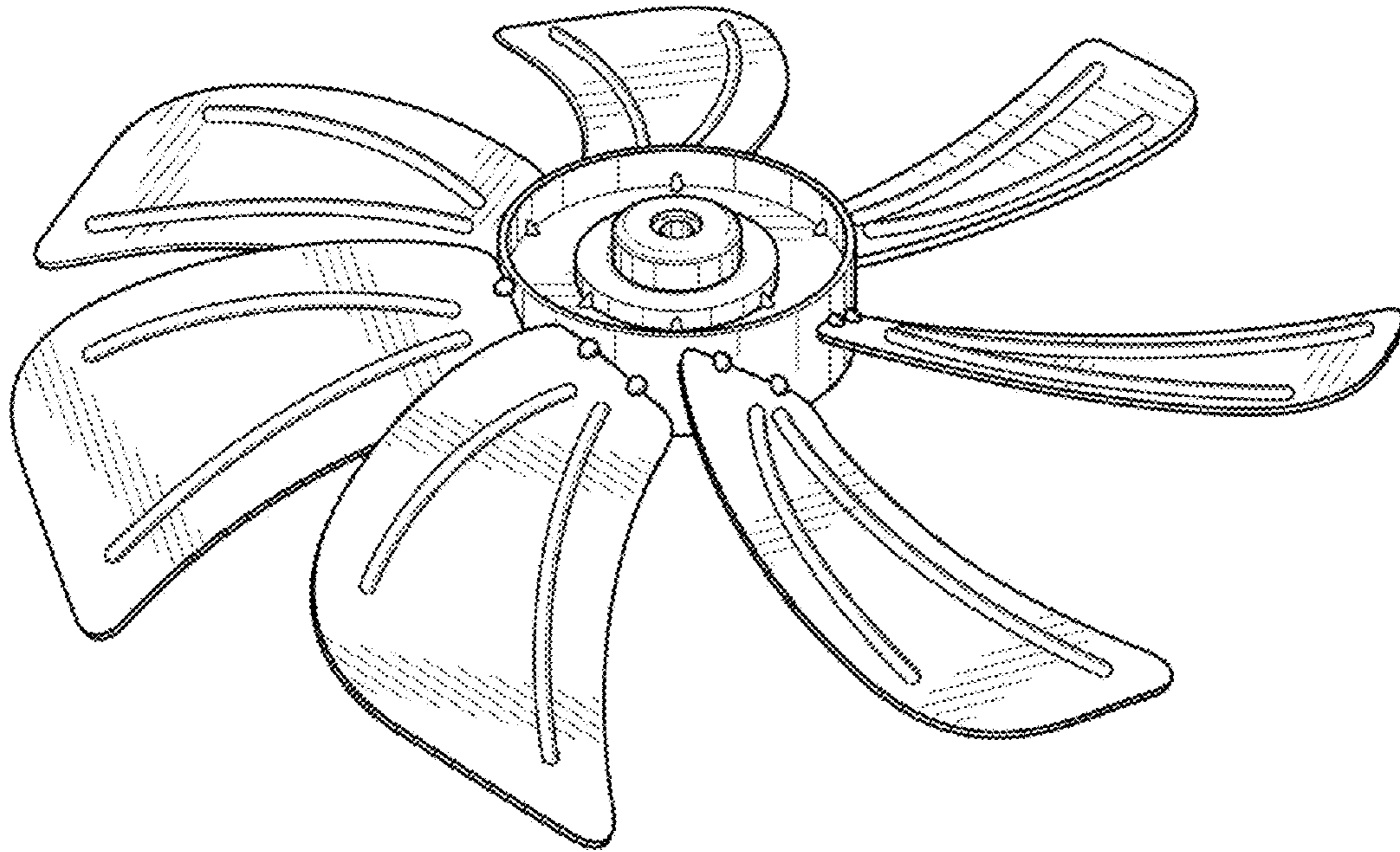


FIG. 1

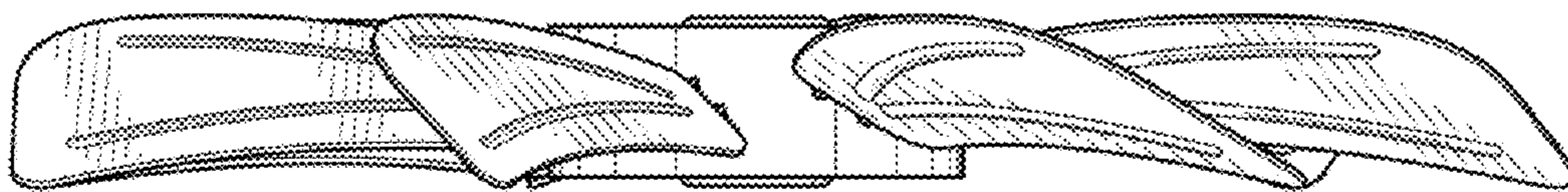


FIG. 2



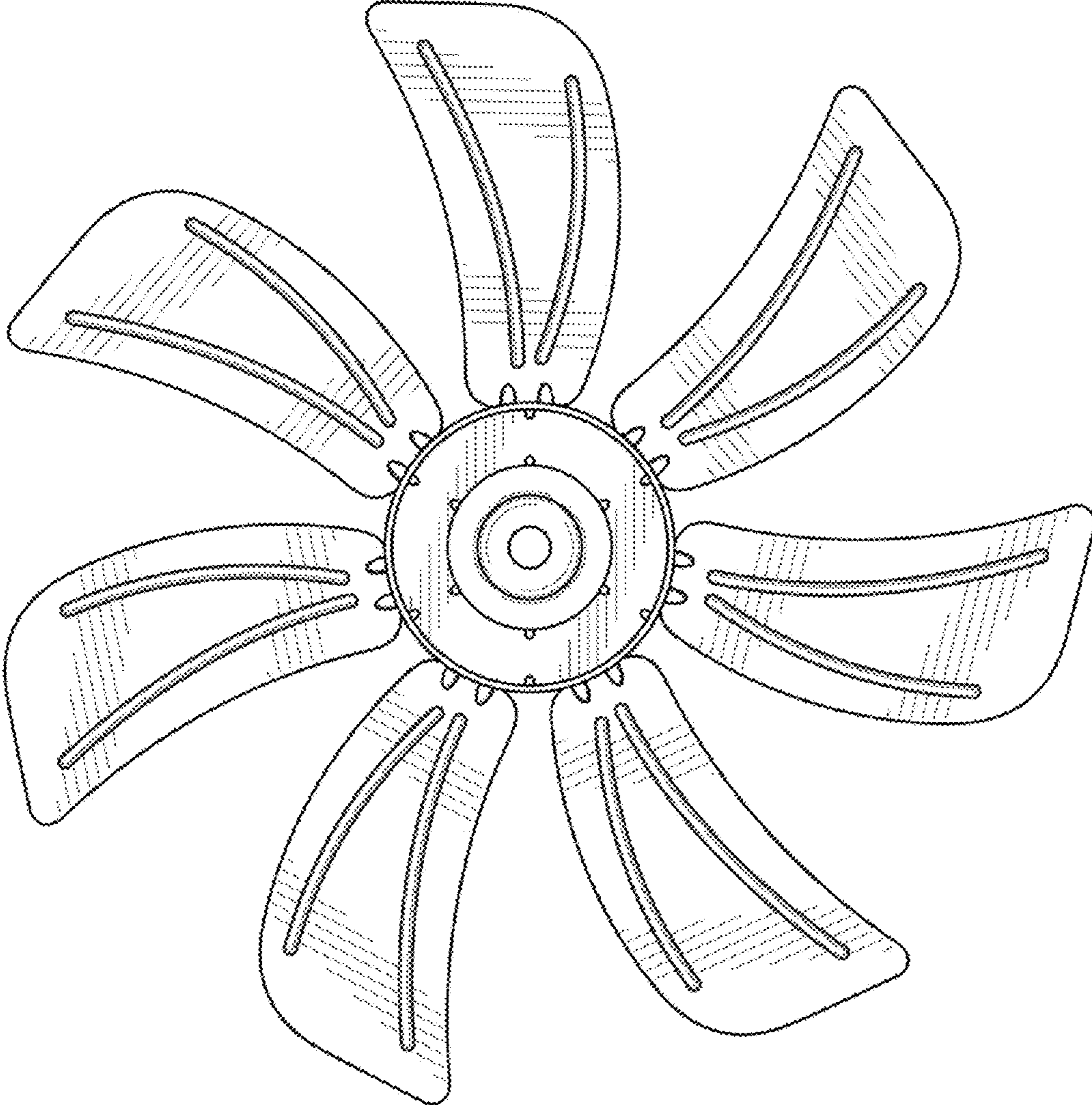


FIG. 3

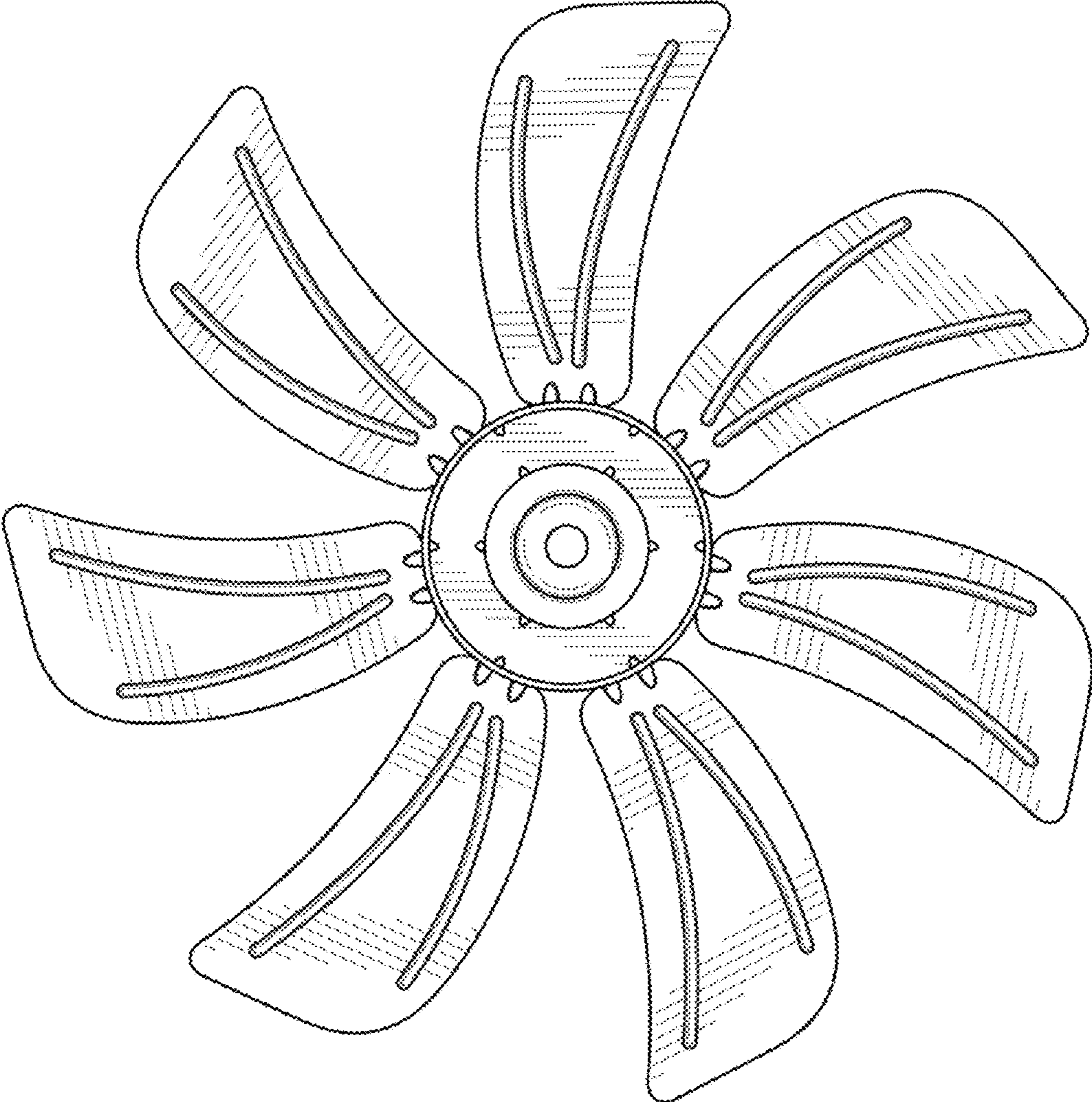


FIG. 4