

US00D668597S

(12) **United States Design Patent**
Behr

(10) **Patent No.:** **US D668,597 S**

(45) **Date of Patent:** **** Oct. 9, 2012**

(54) **TIRE TREAD OF A VEHICLE TIRE**

(75) Inventor: **Ulrich Behr**, Hanover (DE)

(73) Assignee: **Continental Reifen Deutschland GmbH**, Hanover (DE)

(**) Term: **14 Years**

(21) Appl. No.: **29/386,163**

(22) Filed: **Feb. 25, 2011**

(30) **Foreign Application Priority Data**

Aug. 31, 2010 (EP) 001748617

(51) **LOC (9) Cl.** **12-16**

(52) **U.S. Cl.** **D12/517**

(58) **Field of Classification Search** D12/505-532;
152/209.1, 209.8, 209.9, 209.12, 209.18,
152/209.25

See application file for complete search history.

(56) **References Cited**

U.S. PATENT DOCUMENTS

D622,210 S * 8/2010 Raatikainen et al. D12/521

* cited by examiner

Primary Examiner — George D Kirschbaum

(74) *Attorney, Agent, or Firm* — Laurence A. Greenberg;
Werner H. Stemer; Ralph E. Locher

(57) **CLAIM**

The ornamental design for a tire tread of a vehicle tire, as shown and described.

DESCRIPTION

FIG. 1 is a perspective view of the vehicle tire, showing my new design;

FIG. 2 is a front elevational view thereof;

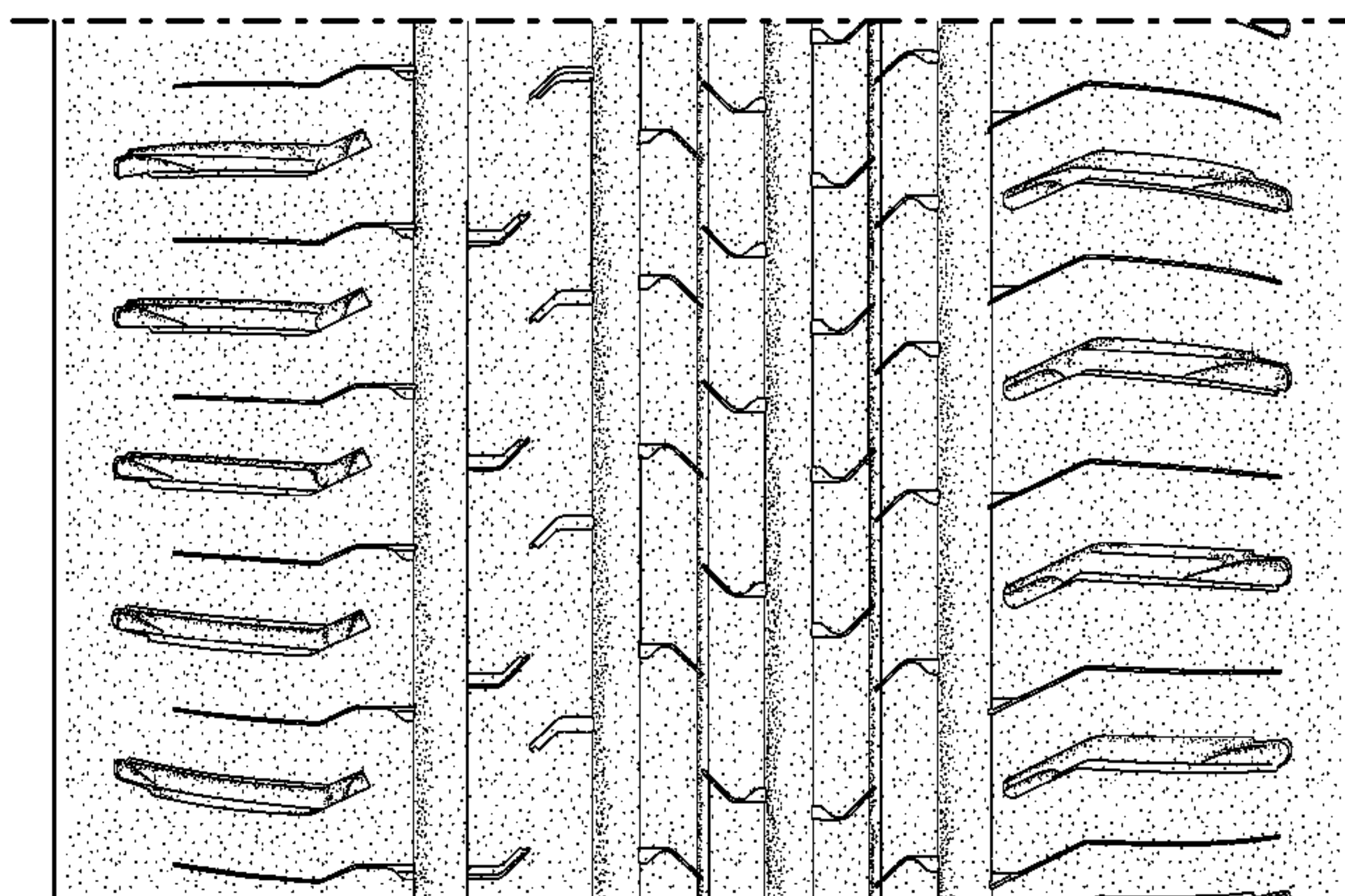
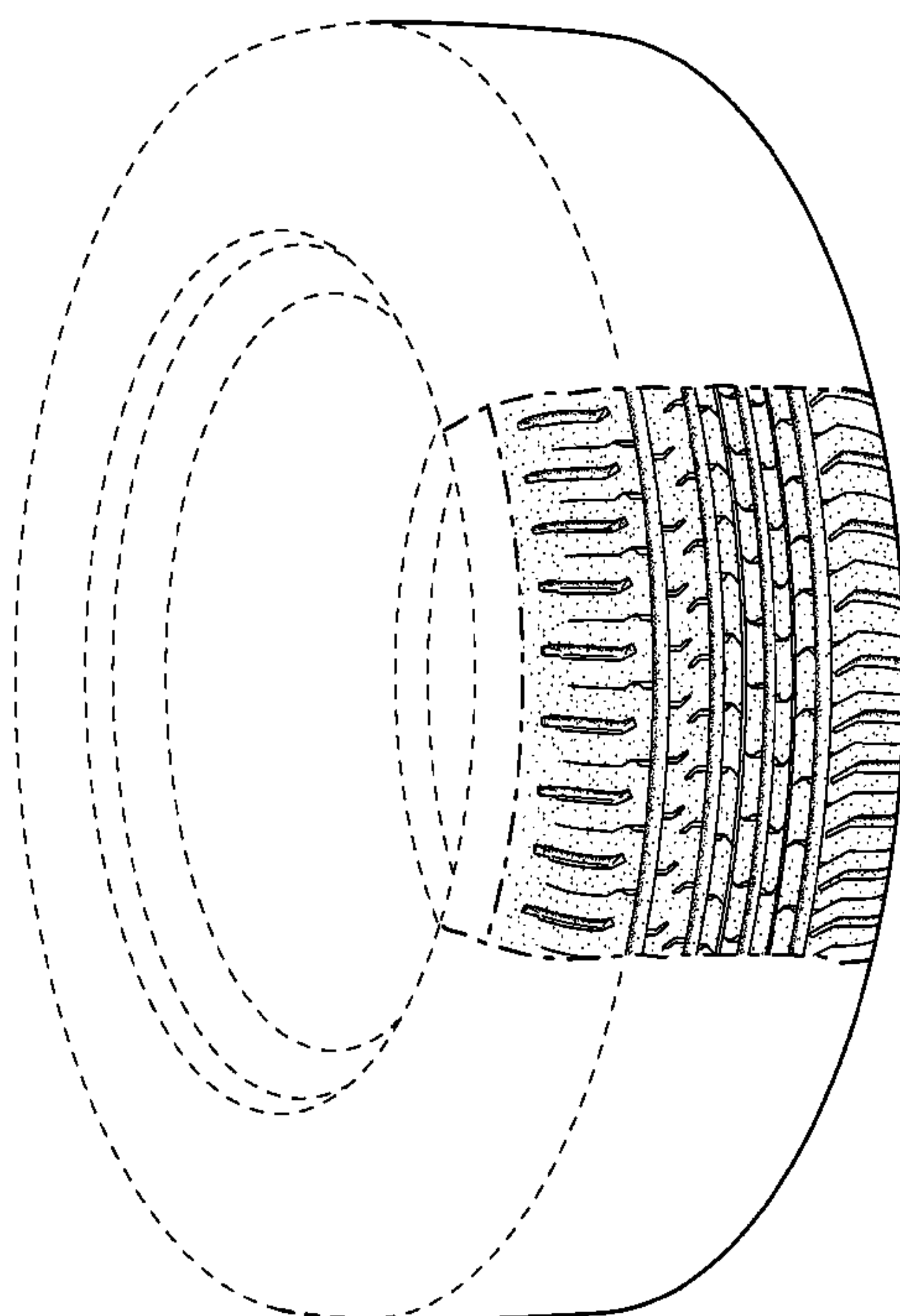
FIG. 3 is an enlarged partial front view thereof;

FIG. 4 is a left side elevational view thereof; and,

FIG. 5 is a right side elevational view thereof.

While only portions of the tread design are shown, it should be understood that the tread covers the tire circumferentially in its entirety. Dashed lines show unclaimed subject matter.

1 Claim, 5 Drawing Sheets



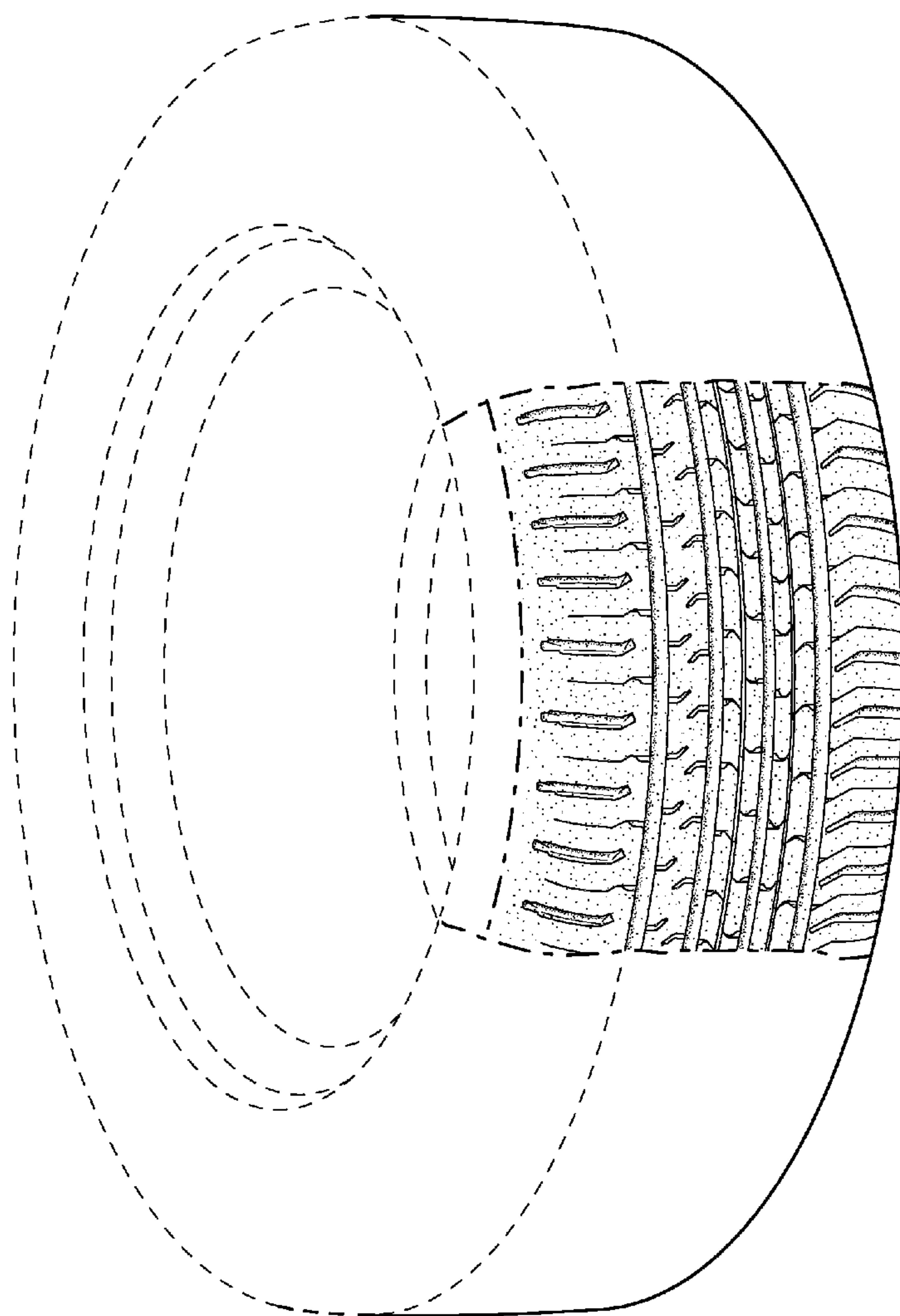


FIG. 1

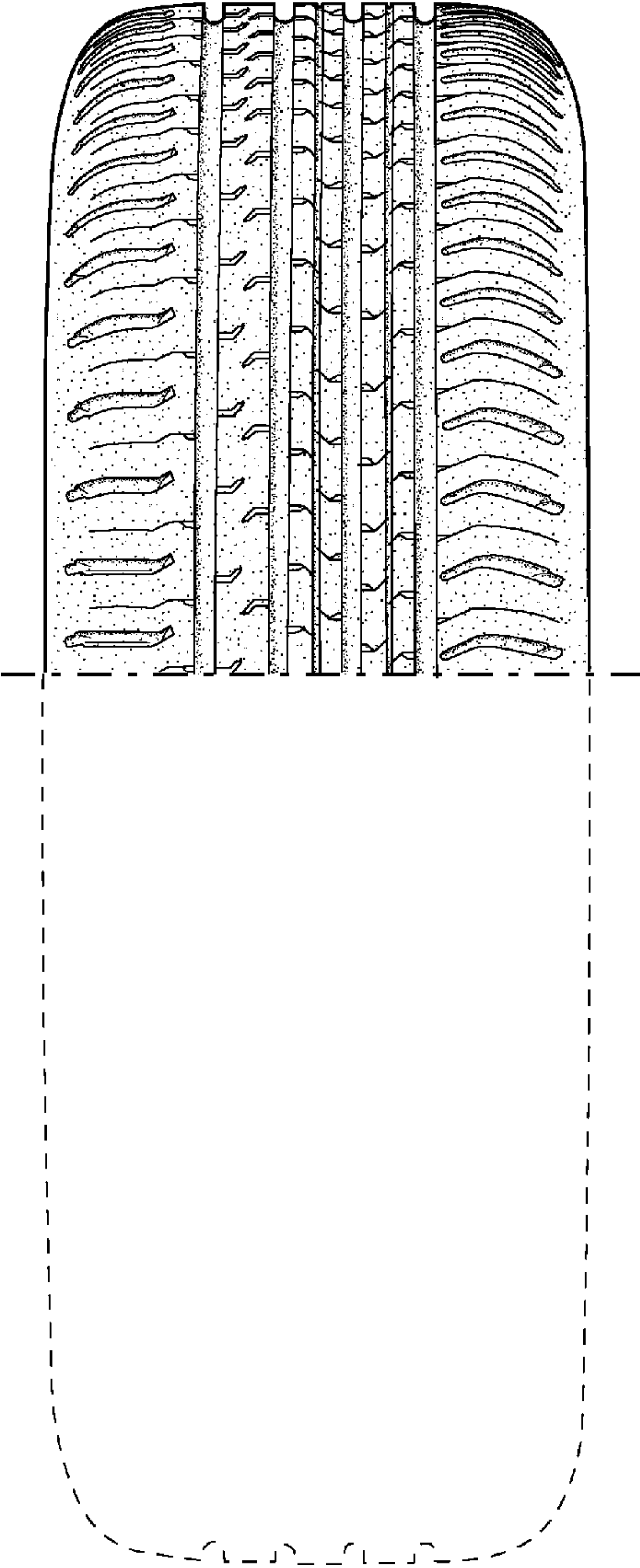


FIG. 2

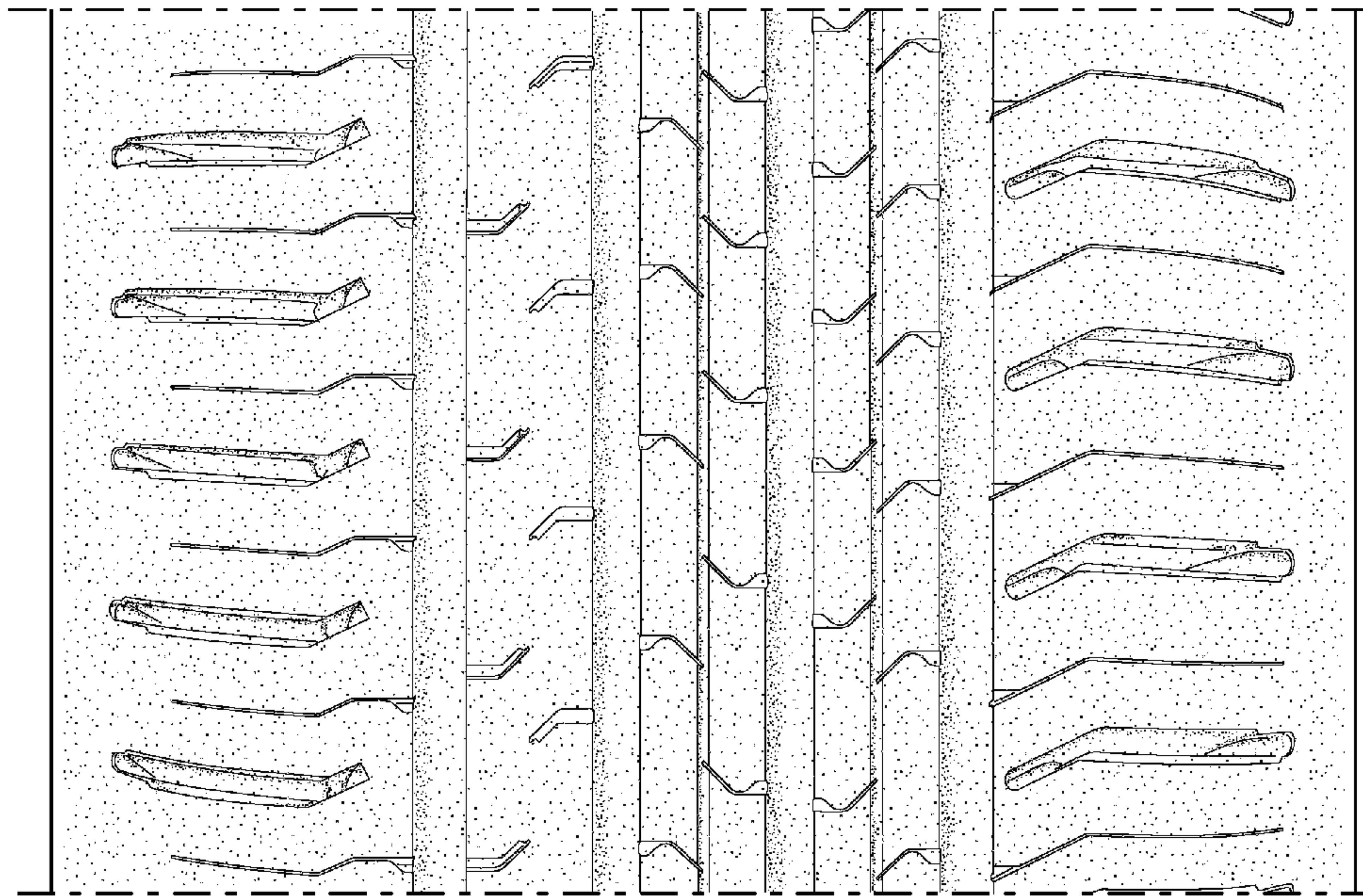


FIG. 3

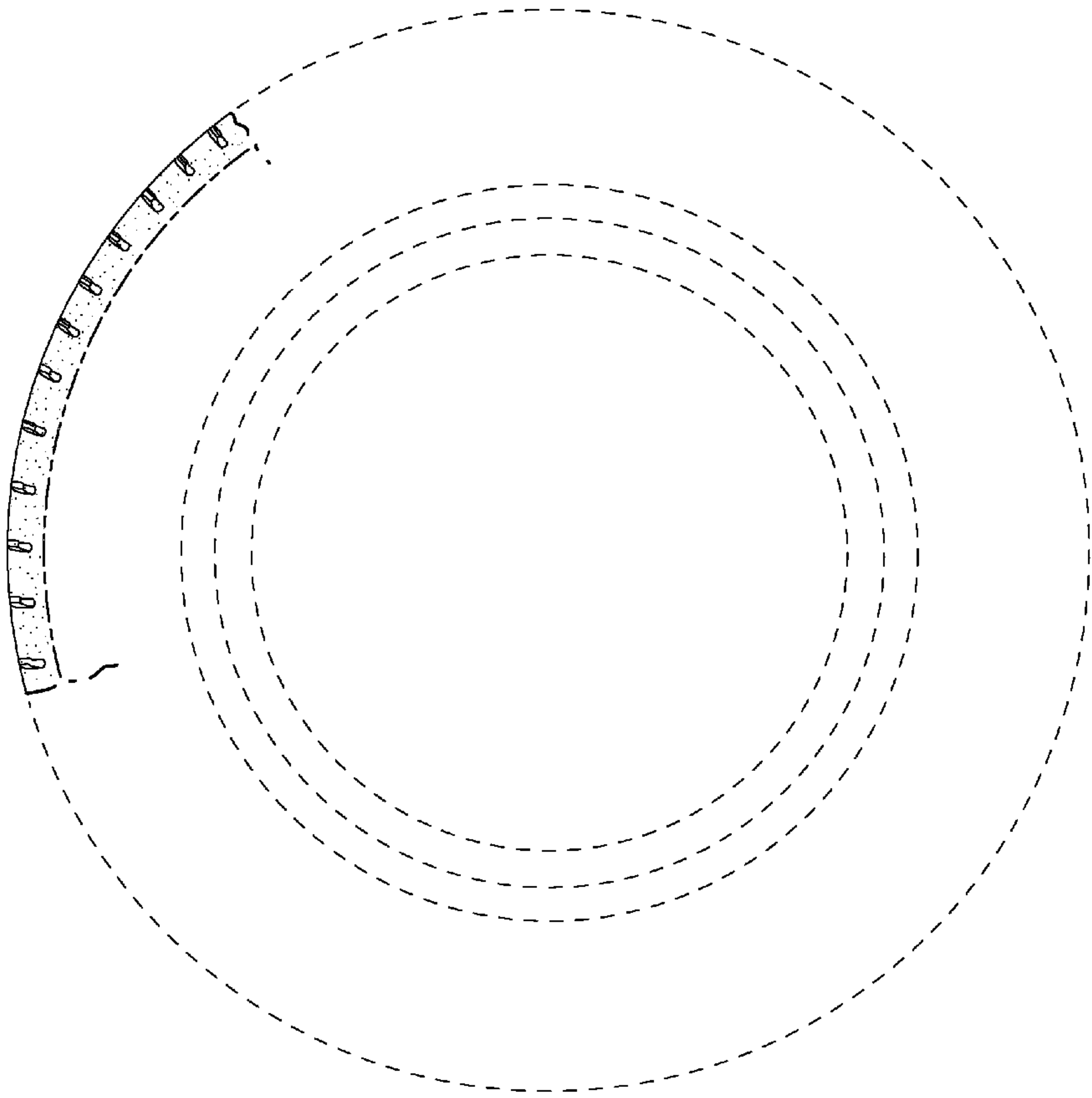


FIG. 4

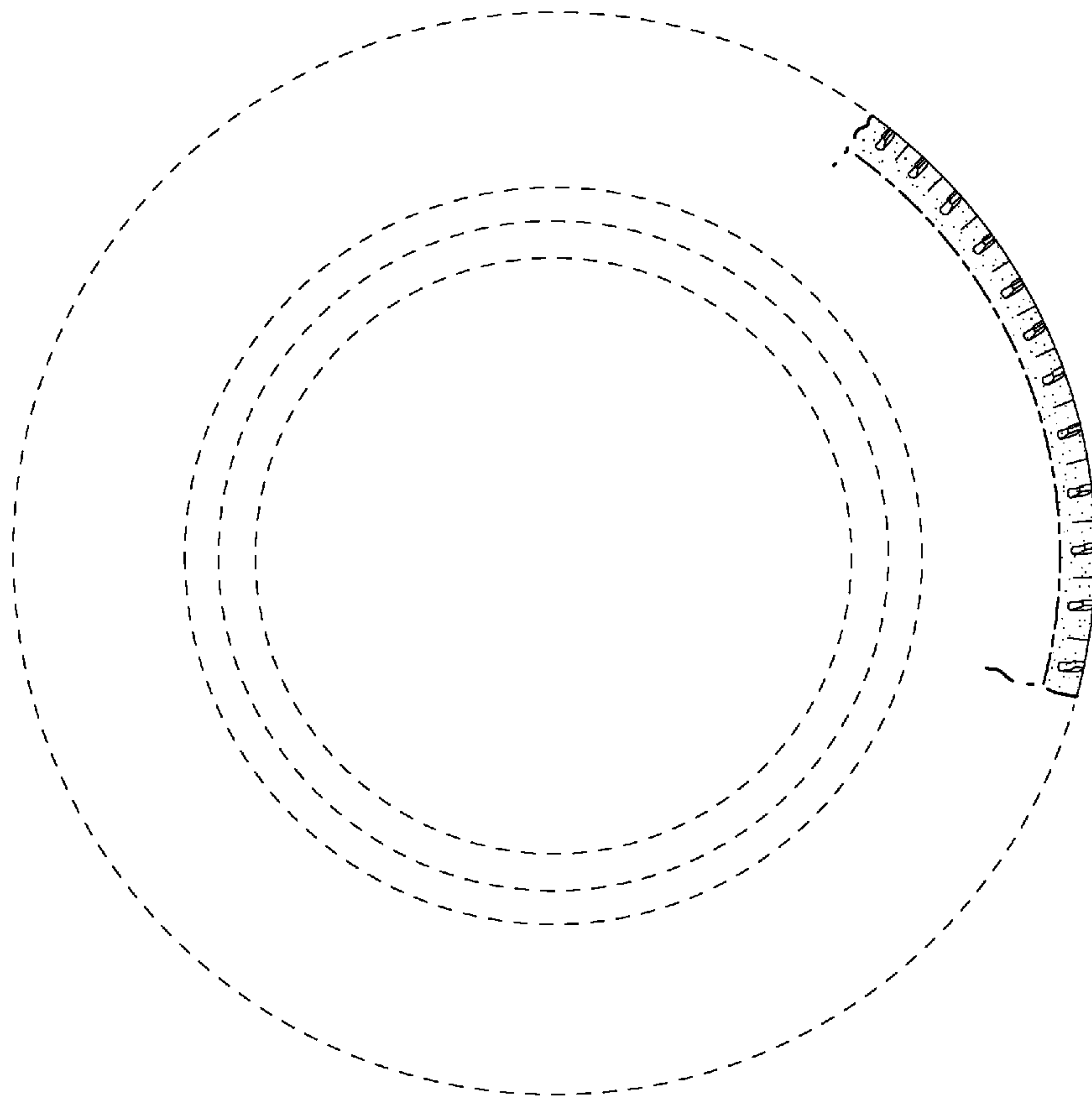


FIG. 5