



US00D668594S

(12) **United States Design Patent**
Davidson et al.

(10) **Patent No.:** **US D668,594 S**
(45) **Date of Patent:** **** Oct. 9, 2012**

(54) **VEHICLE BUMPER**

(75) Inventors: **Benjamin Davidson**, Torrance, CA
(US); **Guillermo Gonzalez**, Lawndale,
CA (US)

(73) Assignee: **Honda Motor Co., Ltd.**, Tokyo (JP)

(**) Term: **14 Years**

(21) Appl. No.: **29/399,518**

(22) Filed: **Aug. 15, 2011**

(51) **LOC (9) Cl.** **12-16**

(52) **U.S. Cl.** **D12/169**

(58) **Field of Classification Search** D12/169,
D12/196, 171, 216, 163, 86, 90-92; 293/102,
293/113, 115, 117, 120; 296/180.1, 180.2

See application file for complete search history.

(56) **References Cited**

U.S. PATENT DOCUMENTS

D634,680 S * 3/2011 Iida D12/169
D634,681 S * 3/2011 Hirabayashi D12/169
D637,534 S * 5/2011 Miyazawa et al. D12/169
D661,232 S * 6/2012 Okumoto et al. D12/169

* cited by examiner

Primary Examiner — Melody N Brown

(74) *Attorney, Agent, or Firm* — Plumsea Law Group, LLC;
Mark E. Duell

(57) **CLAIM**

The ornamental design for a vehicle bumper, as shown and described.

DESCRIPTION

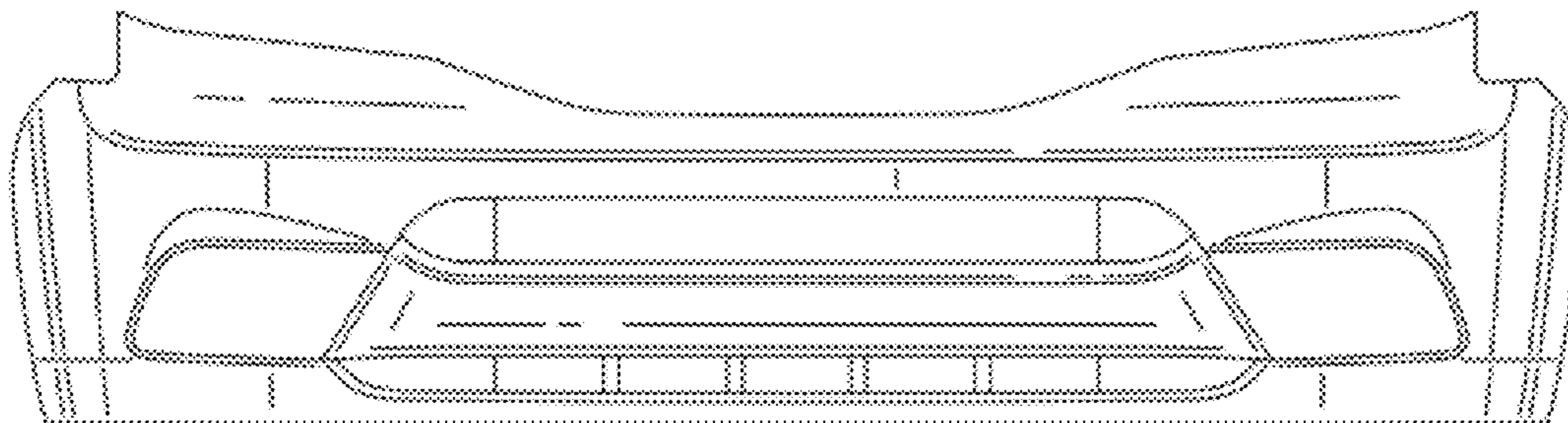
FIG. 1 is a perspective view of a vehicle bumper showing our new design;

FIG. 2 is a front elevational view thereof;

FIG. 3 is a side elevational view thereof, the opposite side elevational view being a mirror image; and,

FIG. 4 is a bottom plan view thereof.

1 Claim, 2 Drawing Sheets



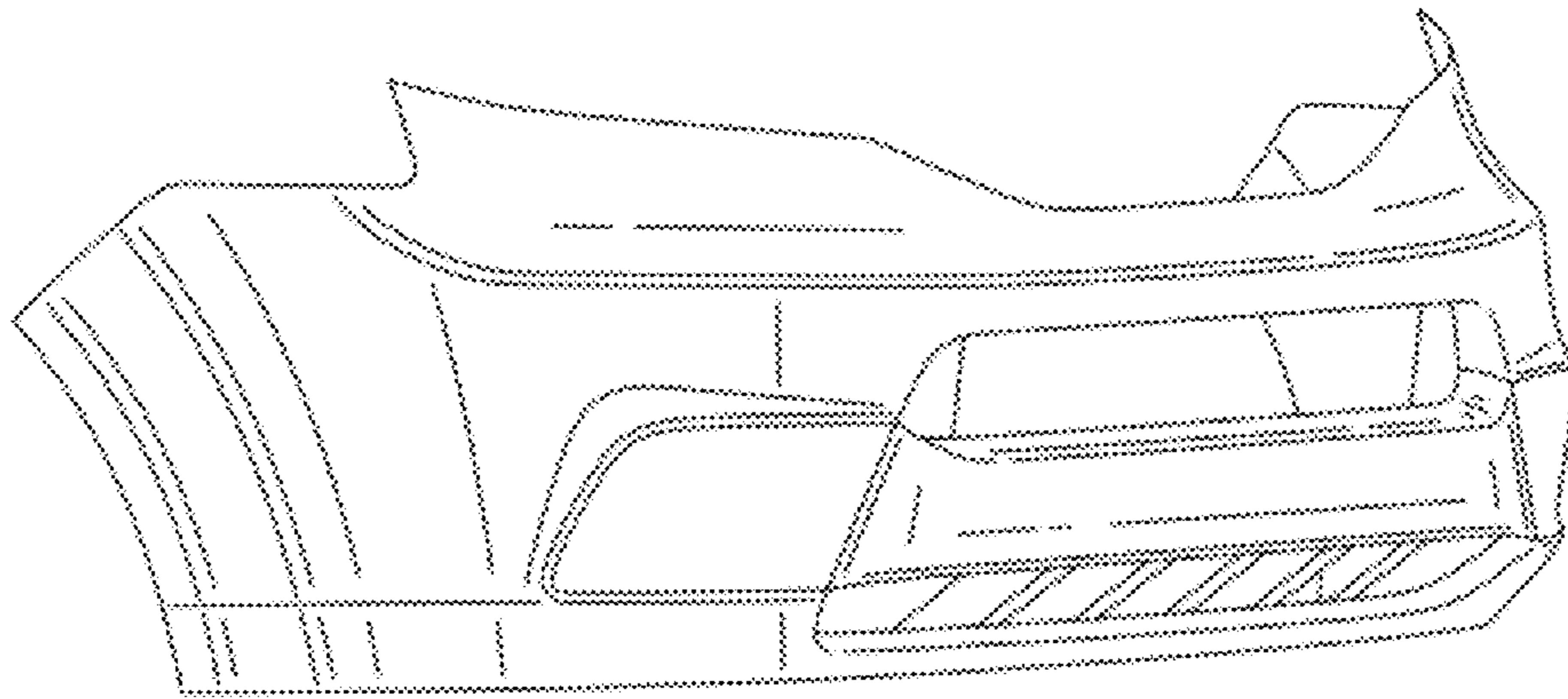


FIG. 1

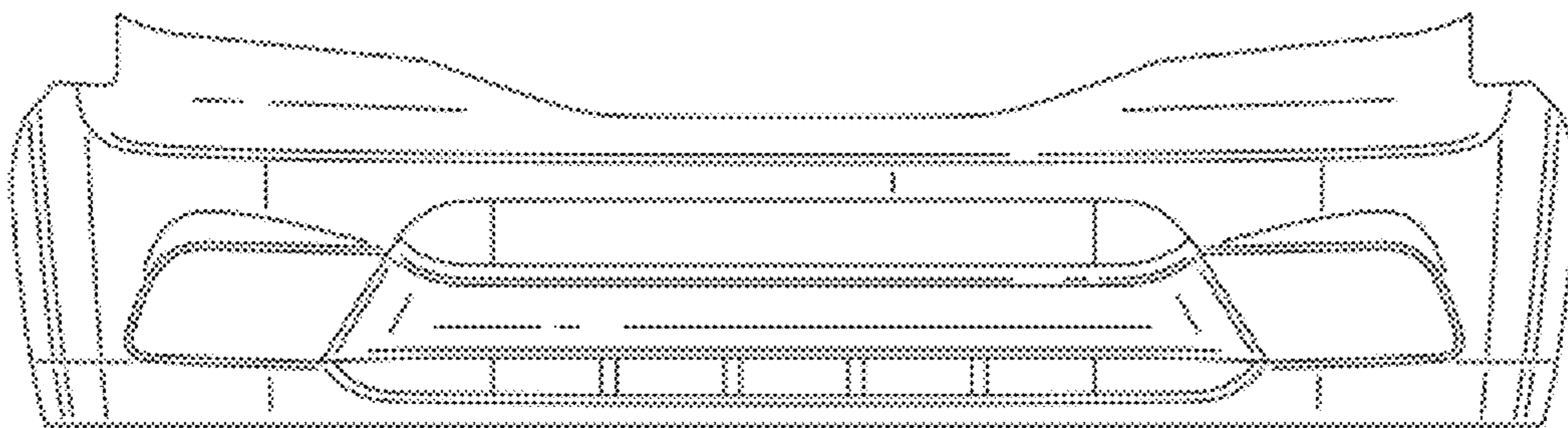


FIG. 2

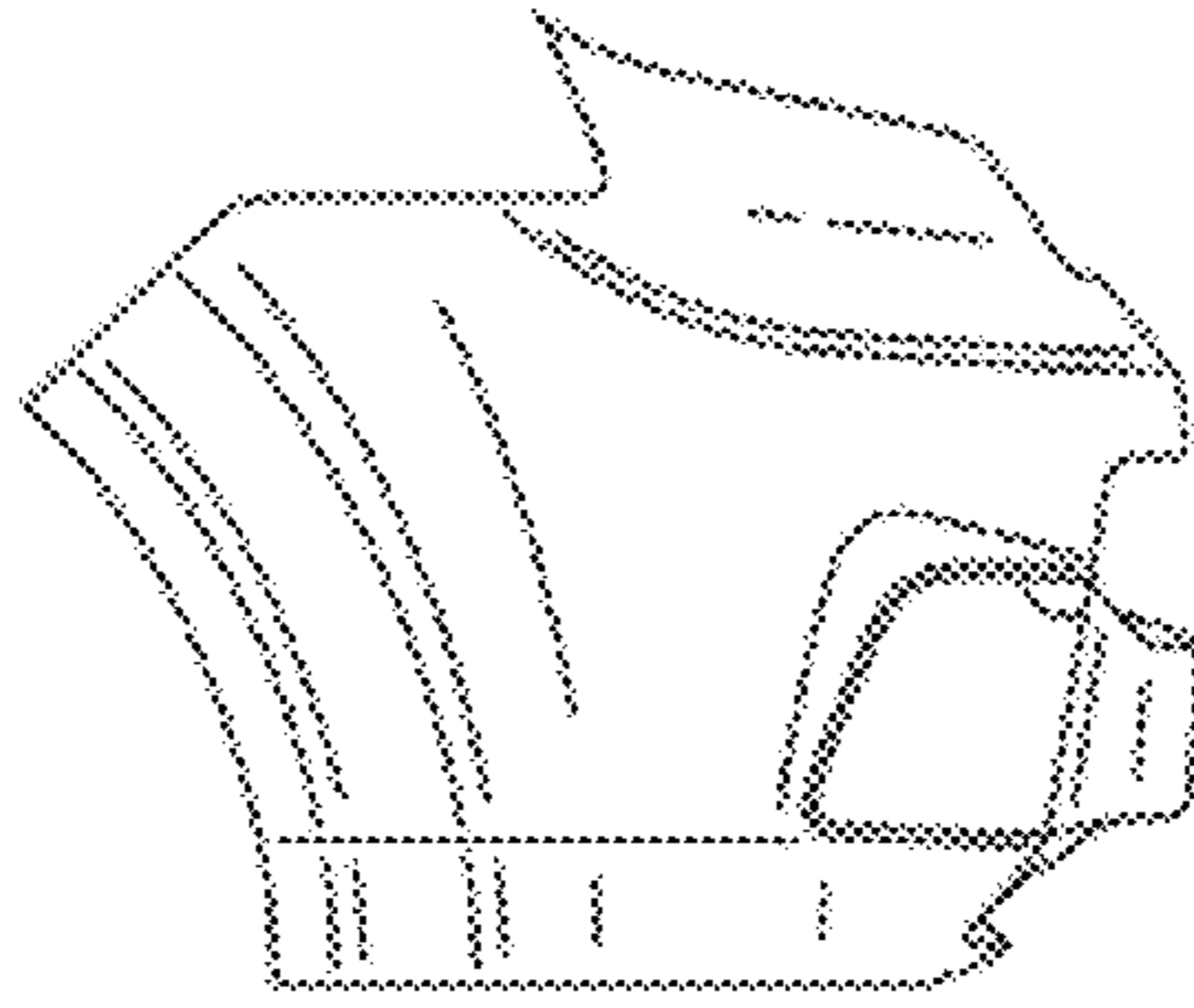


FIG. 3

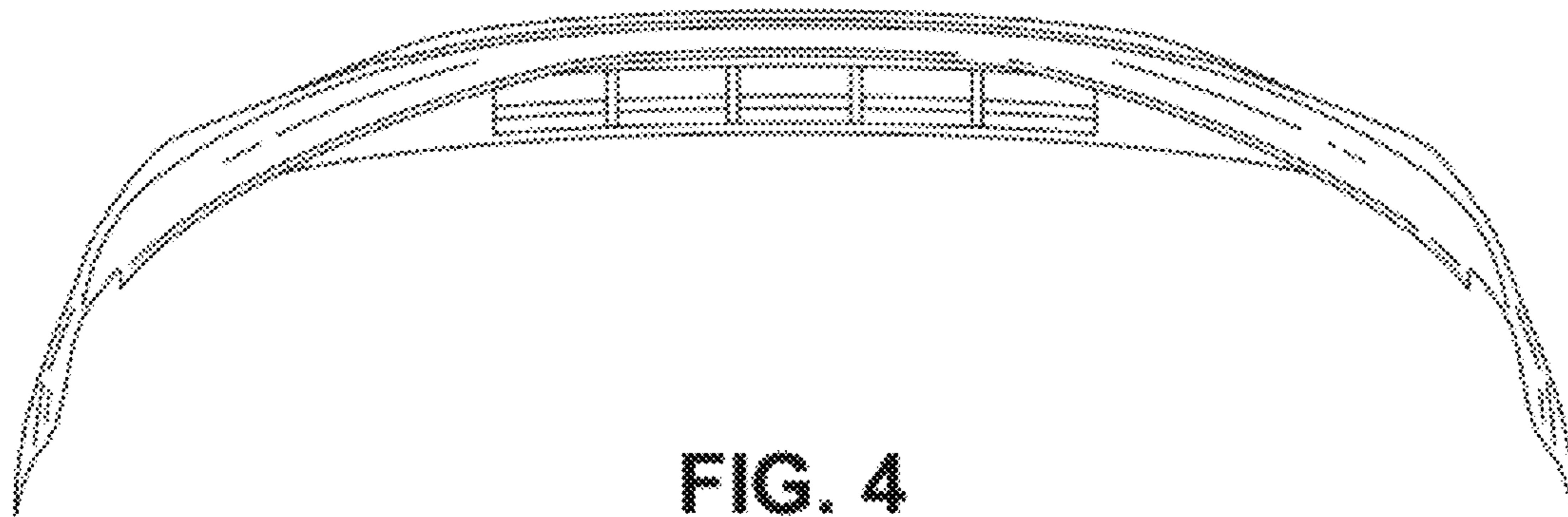


FIG. 4

UNITED STATES PATENT AND TRADEMARK OFFICE
CERTIFICATE OF CORRECTION

PATENT NO. : D668,594 S
APPLICATION NO. : 29/399518
DATED : October 9, 2012
INVENTOR(S) : Benjamin Davidson et al.

Page 1 of 1

It is certified that error appears in the above-identified patent and that said Letters Patent is hereby corrected as shown below:

Title Page,

In the DESCRIPTION

Line 6, delete "bottom" and insert -- top --

Signed and Sealed this
Twelfth Day of February, 2013



Teresa Stanek Rea
Acting Director of the United States Patent and Trademark Office