



US00D668589S

(12) **United States Design Patent**  
**Chung et al.**

(10) **Patent No.:** **US D668,589 S**

(45) **Date of Patent:** **\*\* Oct. 9, 2012**

(54) **VEHICLE GRILLE**

(75) Inventors: **Jae Chung**, Irvine, CA (US); **Alicia Higa**, Hawthorne, CA (US)

(73) Assignee: **Honda Motor Co., Ltd.**, Tokyo (JP)

(\*\*) Term: **14 Years**

(21) Appl. No.: **29/398,719**

(22) Filed: **Aug. 3, 2011**

(51) **LOC (9) Cl.** ..... **12-16**

(52) **U.S. Cl.** ..... **D12/163**

(58) **Field of Classification Search** ..... D12/163,  
D12/196, 171, 169, 216, 90-92, 86; 180/68.1,  
180/68.6; 296/193.11

See application file for complete search history.

(56) **References Cited**

**U.S. PATENT DOCUMENTS**

D562,741 S *	2/2008	Matsumoto et al. ....	D12/163
D565,480 S *	4/2008	McMahan .....	D12/163
D599,705 S *	9/2009	Konaka et al. ....	D12/91
D614,543 S *	4/2010	Kitazumi et al. ....	D12/163
D616,341 S *	5/2010	Fukui et al. ....	D12/163
D616,342 S *	5/2010	Kim .....	D12/163

D625,670 S *	10/2010	Roller et al. ....	D12/163
D633,009 S *	2/2011	Matei et al. ....	D12/91
D633,831 S *	3/2011	Matei et al. ....	D12/163
D637,531 S *	5/2011	Miyazawa .....	D12/163
D642,964 S *	8/2011	Miyazawa .....	D12/163
D660,751 S *	5/2012	Matei et al. ....	D12/163

\* cited by examiner

*Primary Examiner* — Melody N Brown

(74) *Attorney, Agent, or Firm* — Plumsea Law Group, LLC;  
Mark E. Duell

(57) **CLAIM**

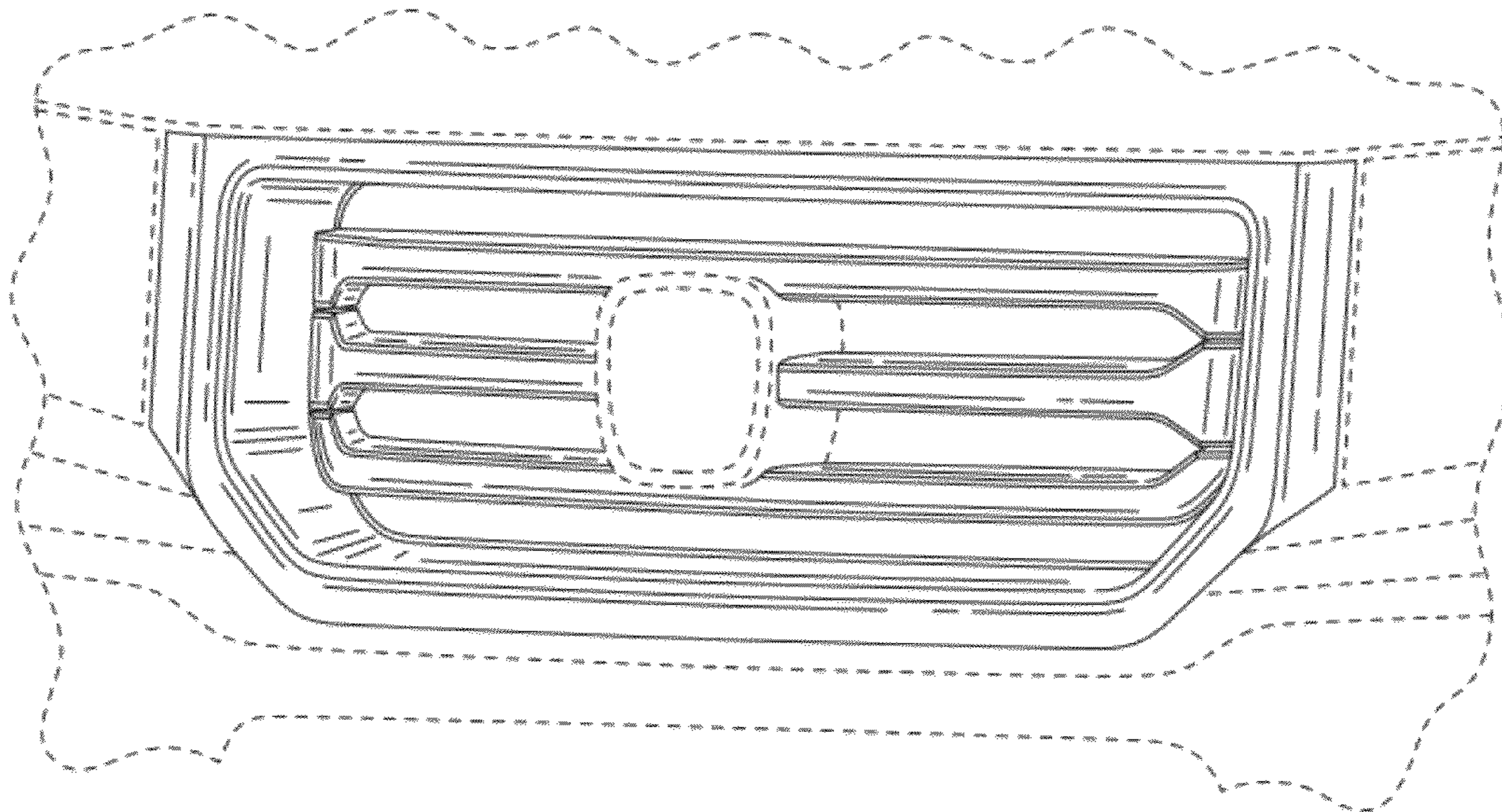
The ornamental design for a vehicle grille, as shown and described.

**DESCRIPTION**

FIG. 1 is a front elevational view of a vehicle grille showing our new design; FIG. 2 is a front and side perspective view thereof; and, FIG. 3 is a side cross sectional view taken along line 3-3 in FIG. 1.

The broken line showings of the center marquee, and the areas surrounding the grille are for illustrative purposes only and form no part of the claimed design.

**1 Claim, 2 Drawing Sheets**



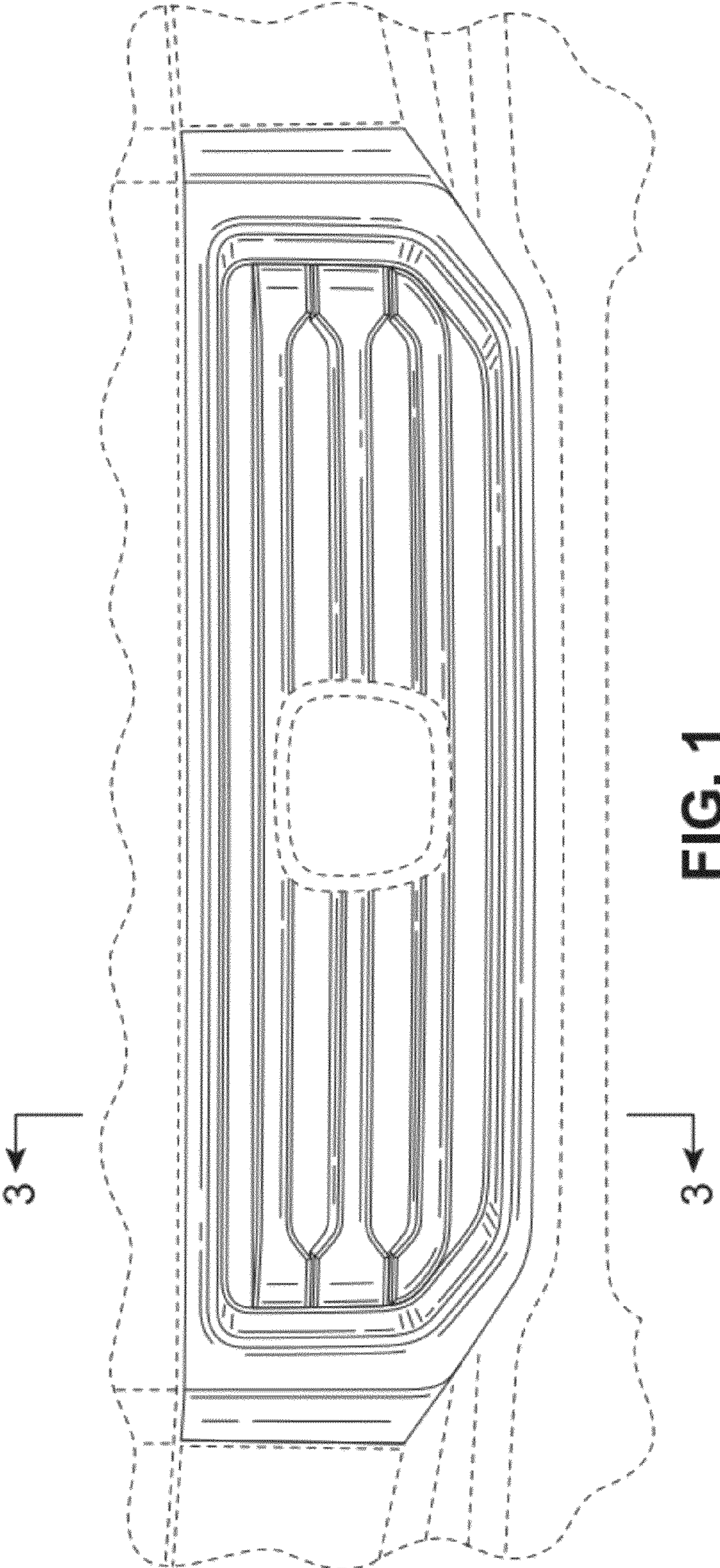


FIG. 1

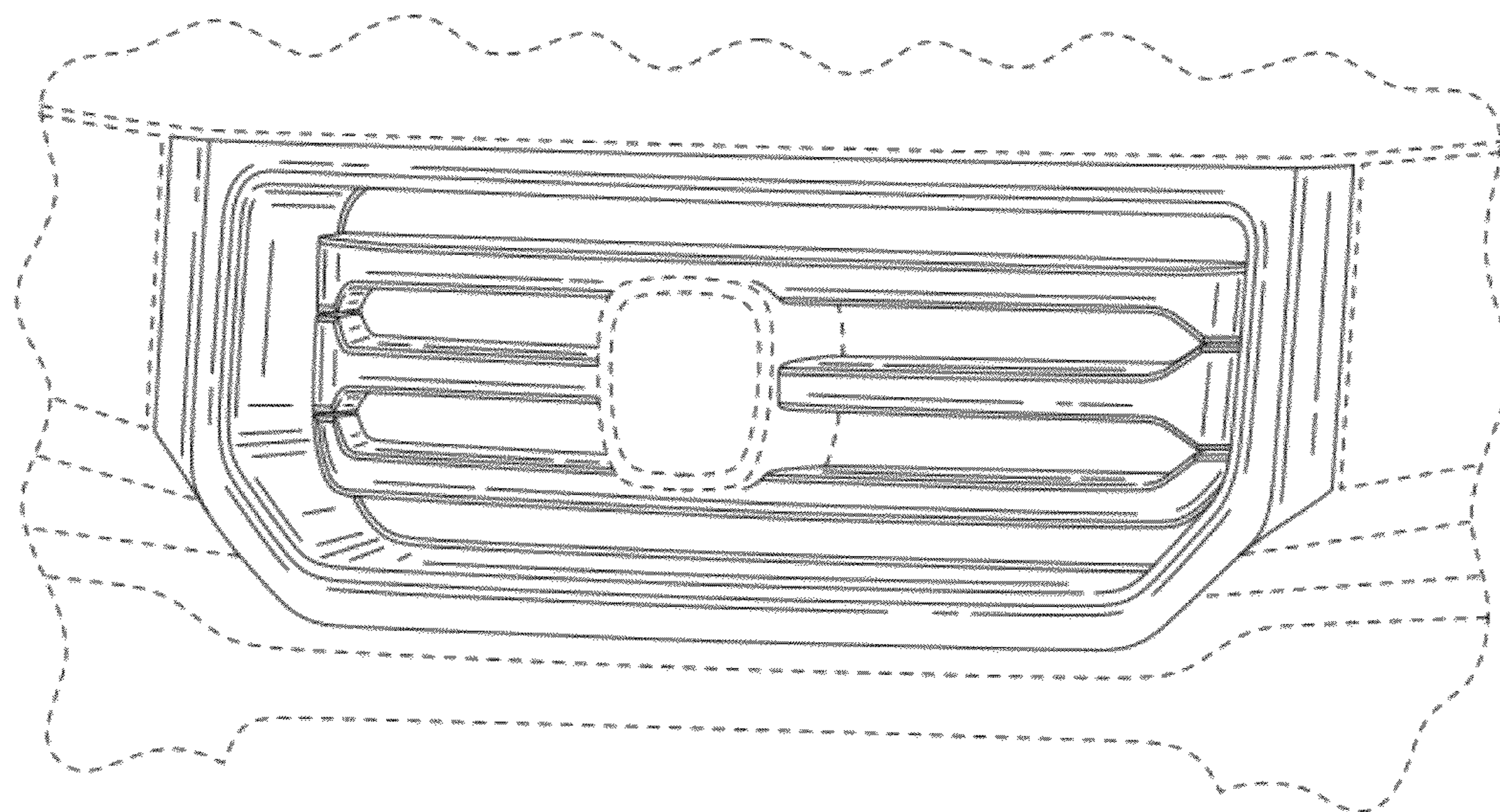


FIG. 2

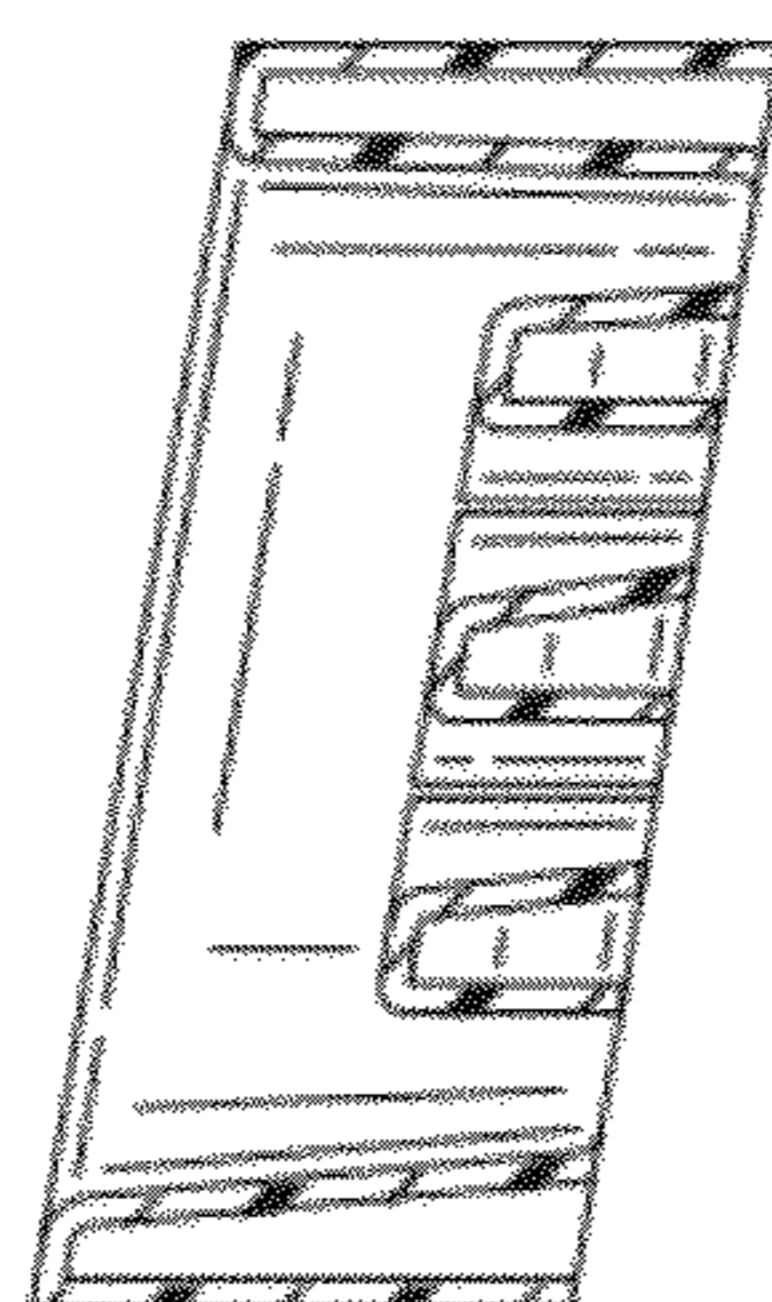


FIG. 3