



US00D668586S

(12) **United States Design Patent**  
**Golias et al.**

(10) **Patent No.:** **US D668,586 S**

(45) **Date of Patent:** **\*\* Oct. 9, 2012**

(54) **FOLDABLE BICYCLE**

(75) Inventors: **Matthew Golias**, South Melbourne (AU); **Jon Seddon**, Surrey Hills (AU); **Michael Russell**, Burwood (AU)

(73) Assignee: **Flip Innovations Pty. Ltd.**, South Melbourne, Victoria (AU)

(\*\*) Term: **14 Years**

(21) Appl. No.: **29/397,242**

(22) Filed: **Jul. 13, 2011**

(30) **Foreign Application Priority Data**

Jan. 14, 2011 (AU) ..... 101112011

(51) **LOC (9) Cl.** ..... **12-11**

(52) **U.S. Cl.** ..... **D12/111**

(58) **Field of Classification Search** ..... D12/111, D12/117, 110; 280/274-280, 281.1, 283-288, 280/288.1-288.4, 827, 828; D21/419, 432, D21/538; 446/440

See application file for complete search history.

(56) **References Cited**

**U.S. PATENT DOCUMENTS**

D242,238 S \* 11/1976 Richardson ..... D12/110  
D466,839 S \* 12/2002 Ou ..... D12/110  
D487,234 S \* 3/2004 Chen et al. .... D12/111  
D497,574 S \* 10/2004 Yamabe ..... D12/111

6,984,194 B2 \* 1/2006 Ma ..... 280/287  
6,986,522 B2 \* 1/2006 Sinclair et al. .... 280/287  
D547,702 S \* 7/2007 Tabuchi et al. .... D12/111  
7,290,780 B2 \* 11/2007 Hsu ..... 280/287  
7,341,268 B2 \* 3/2008 Lin ..... 280/287  
D629,049 S \* 12/2010 McFarland ..... D21/419  
D654,403 S \* 2/2012 Kyu ..... D12/111

\* cited by examiner

*Primary Examiner* — Susan M Lee

*Assistant Examiner* — Linda G. Brooks

(74) *Attorney, Agent, or Firm* — Hanley, Flight & Zimmerman, LLC

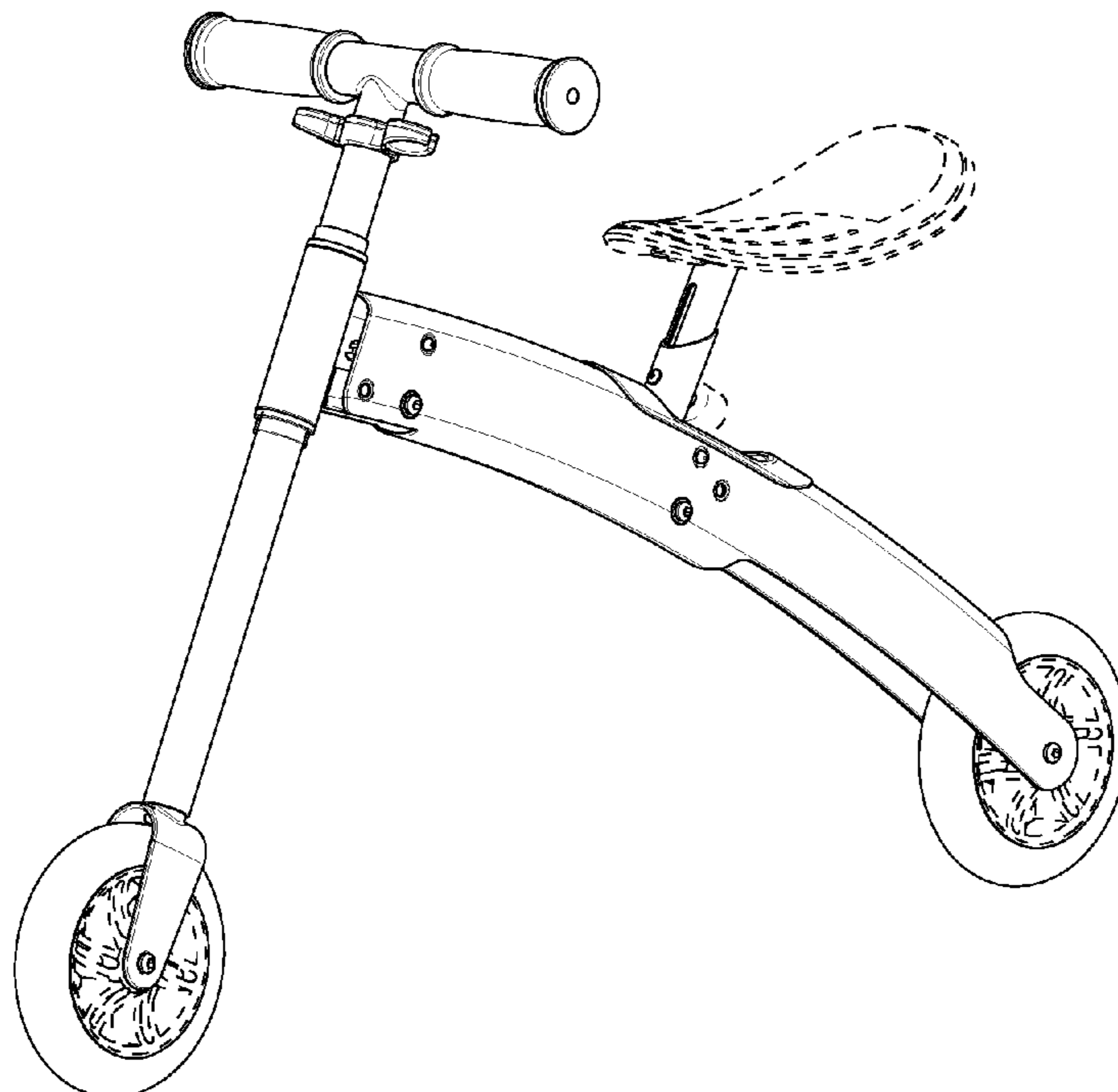
(57) **CLAIM**

The ornamental design for a foldable bicycle, as shown and described.

**DESCRIPTION**

FIG. 1 is a perspective view of a foldable bicycle.  
FIG. 2 is a side view of the foldable bicycle of FIG. 1.  
FIG. 3 is a front view of the foldable bicycle of FIG. 1.  
FIG. 4 is a back view of the foldable bicycle of FIG. 1.  
FIG. 5 is a top view of the foldable bicycle of FIG. 1.  
FIG. 6 is a bottom view of the foldable bicycle of FIG. 1.  
FIG. 7 is a perspective view showing the foldable bicycle of FIG. 1 in a folded position; and,  
FIG. 8 is a side view of the foldable bicycle of FIG. 7.  
The features shown in broken lines do not form part of the claimed design.

**1 Claim, 8 Drawing Sheets**



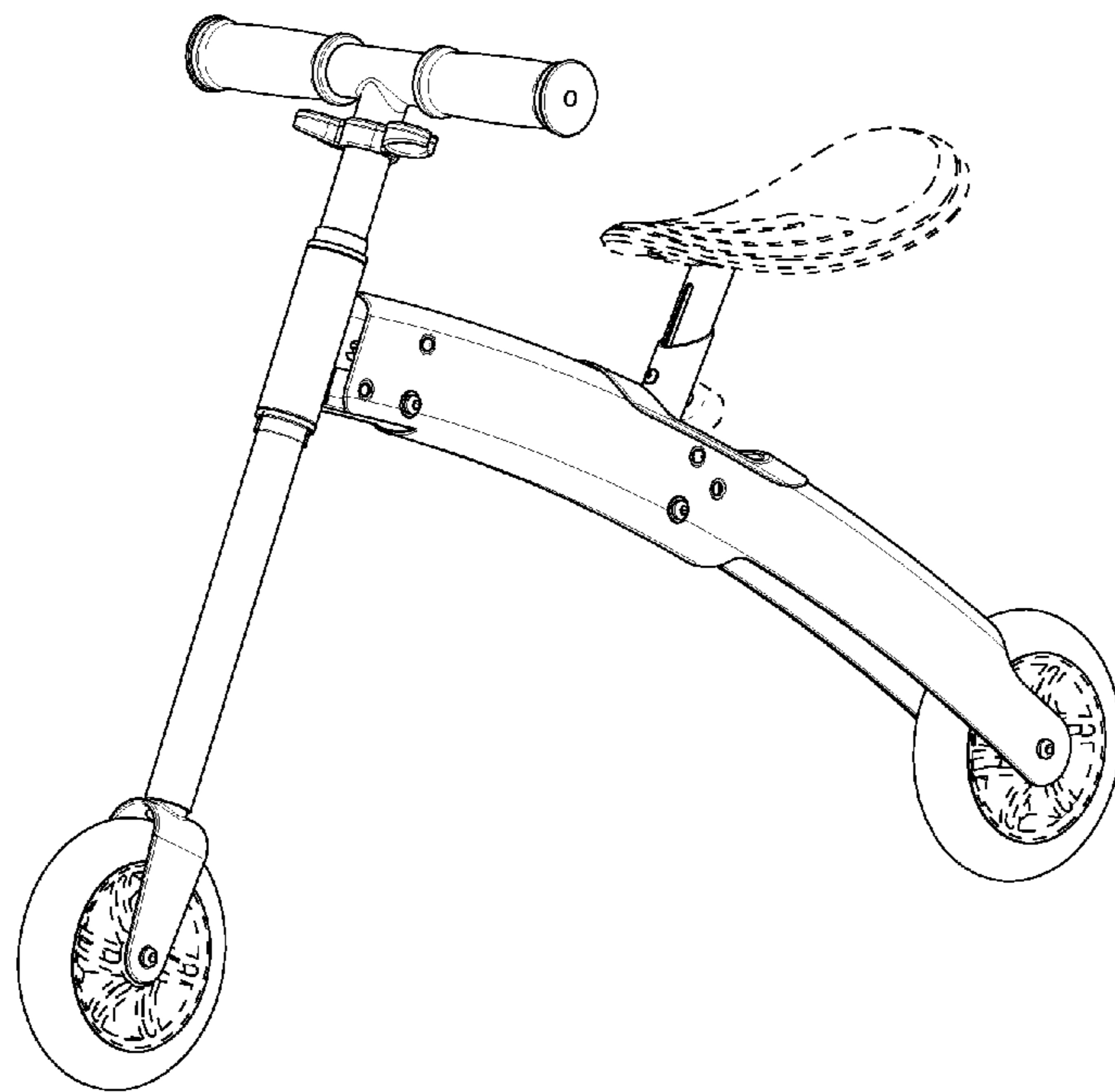


FIG. 1

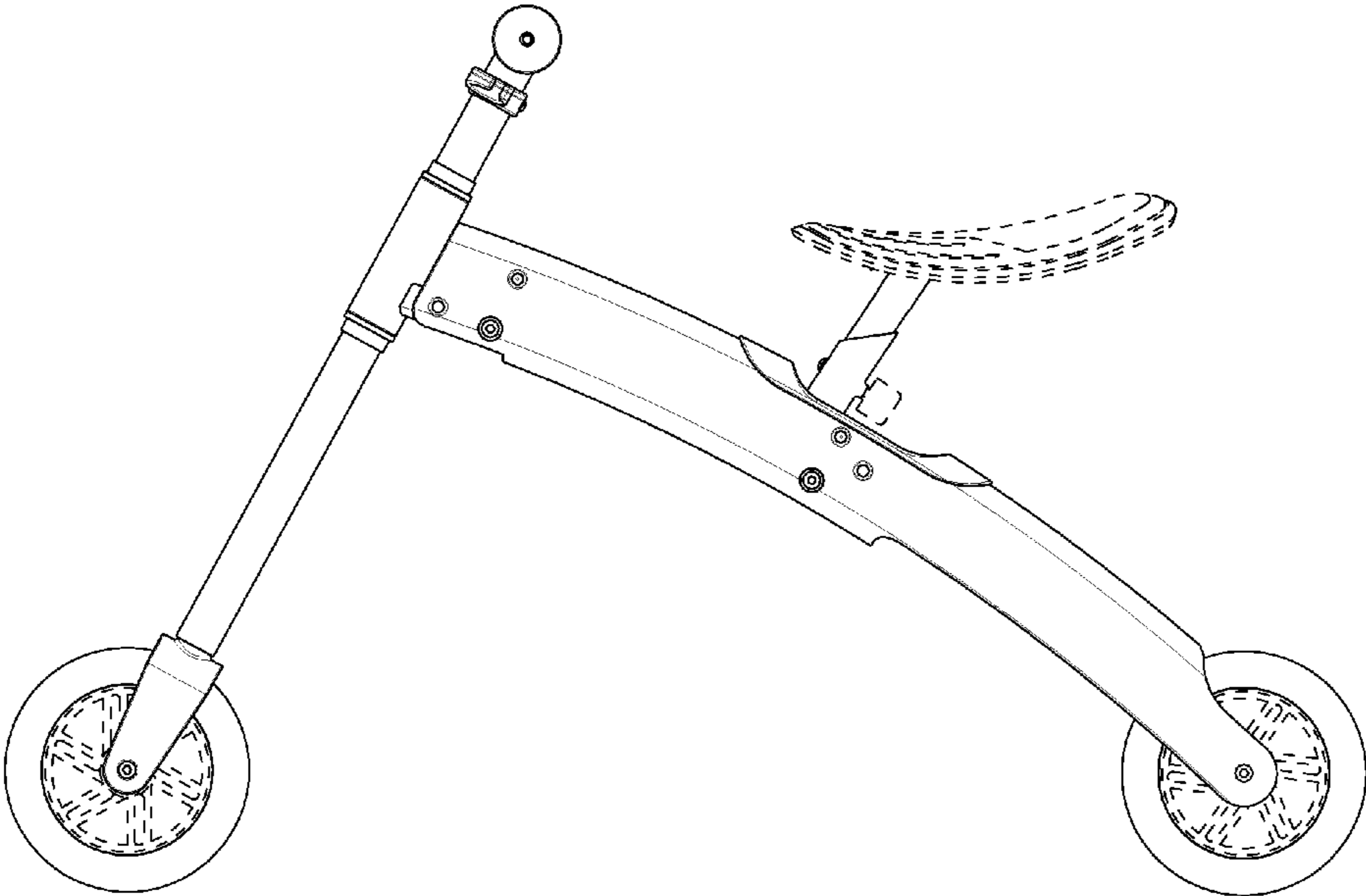


FIG. 2

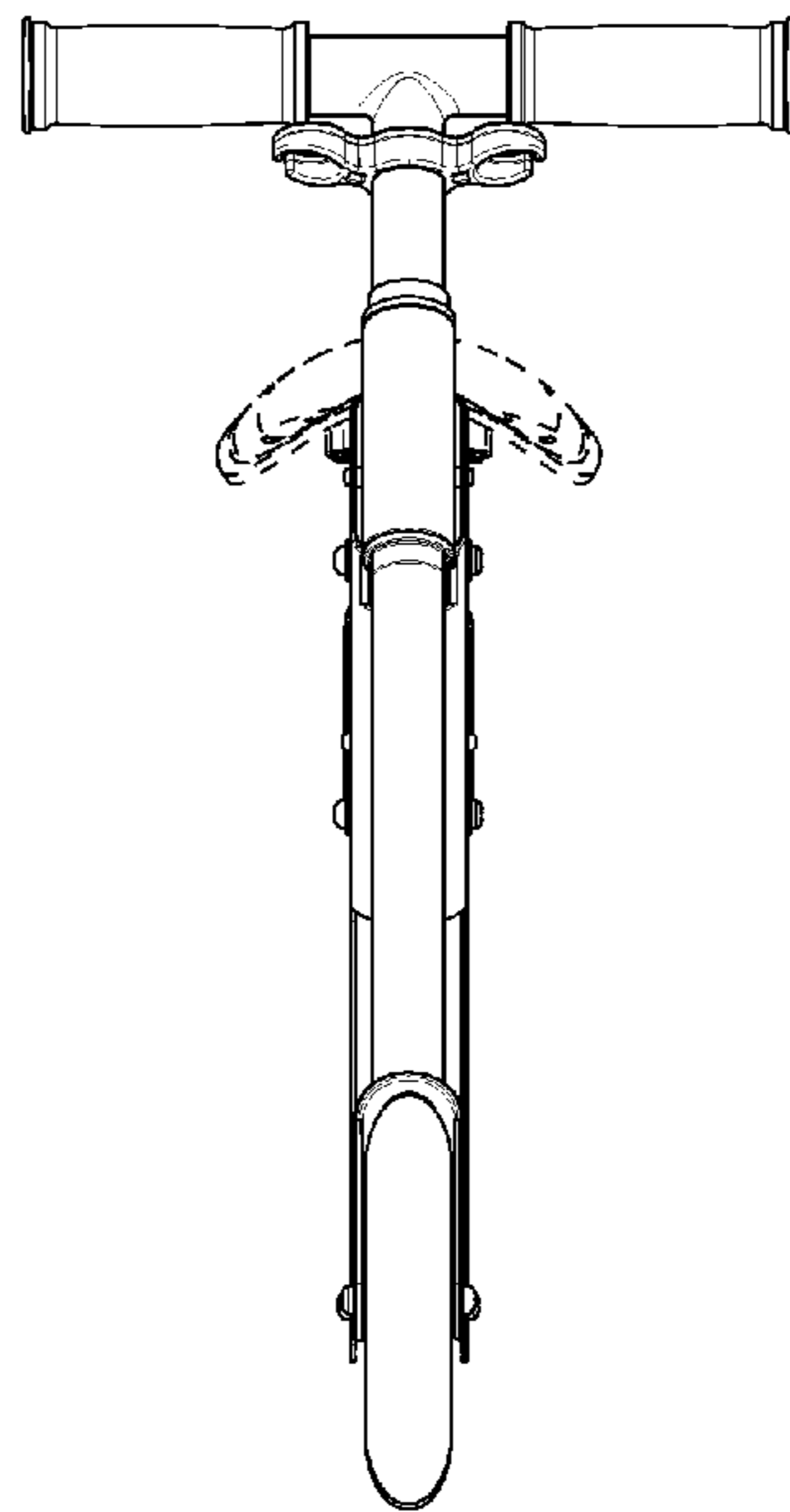


FIG. 3

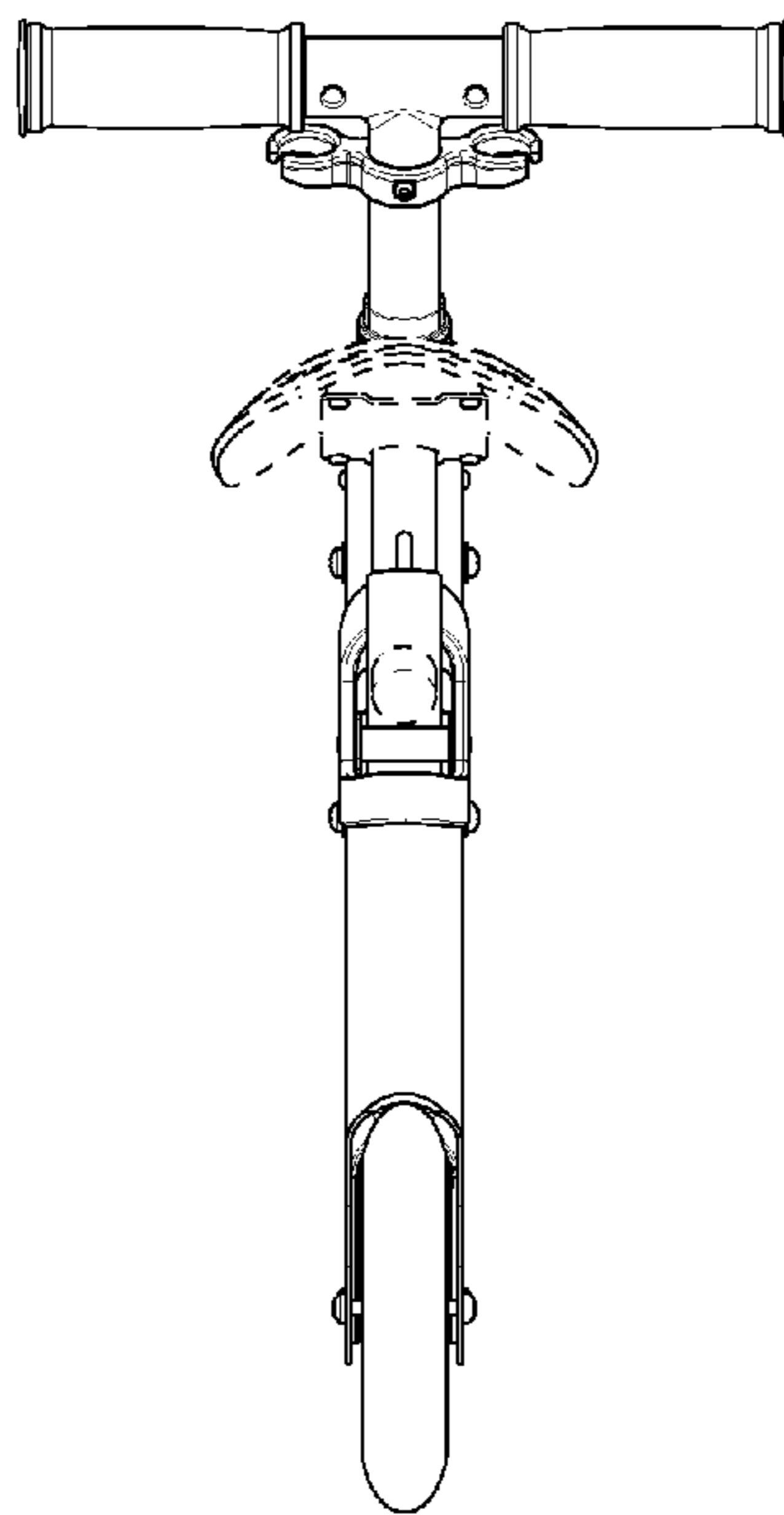


FIG. 4

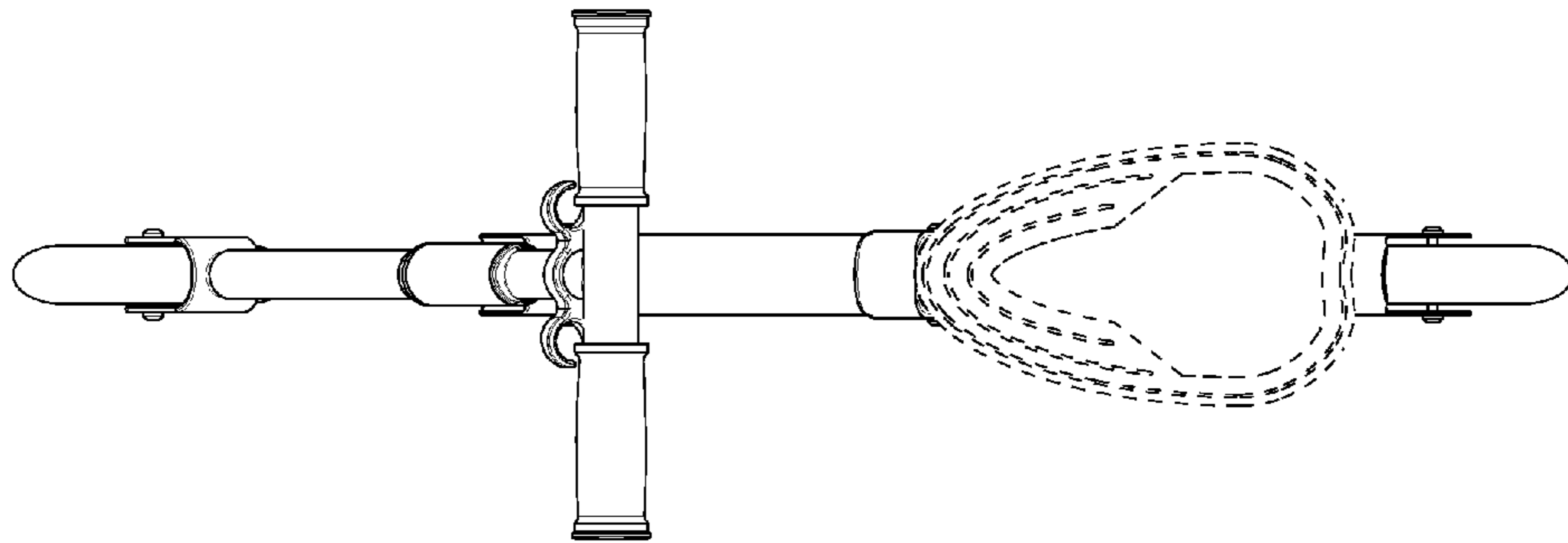


FIG. 5

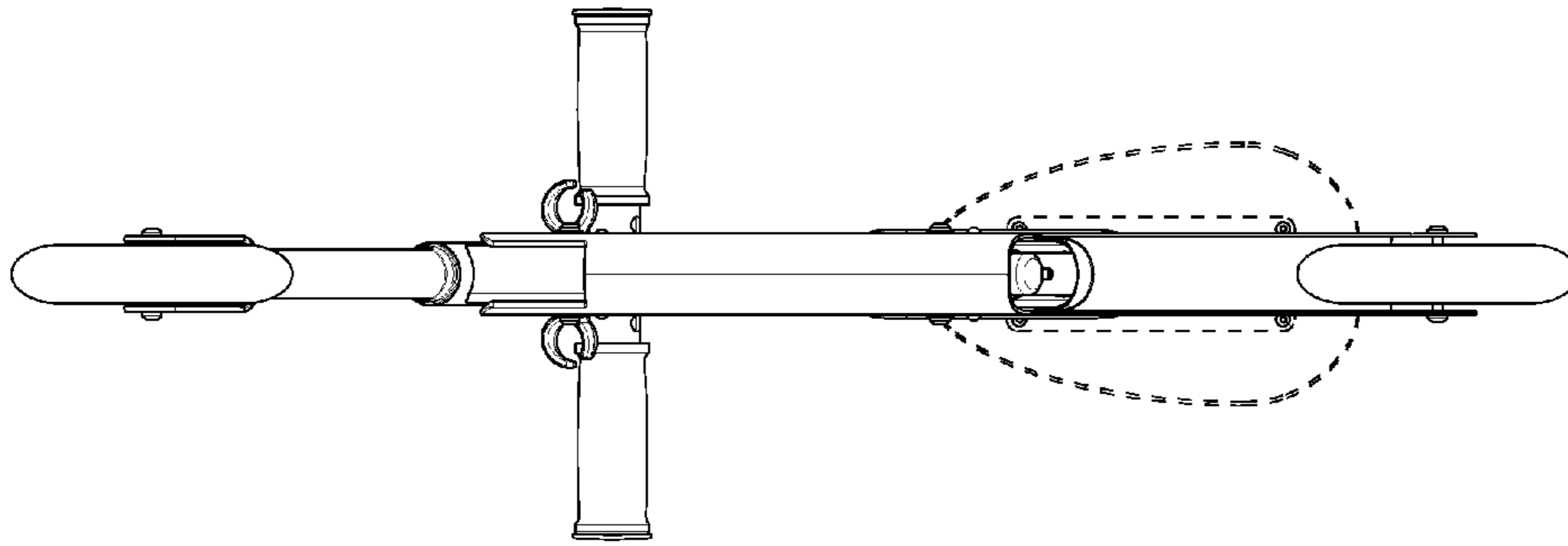


FIG. 6

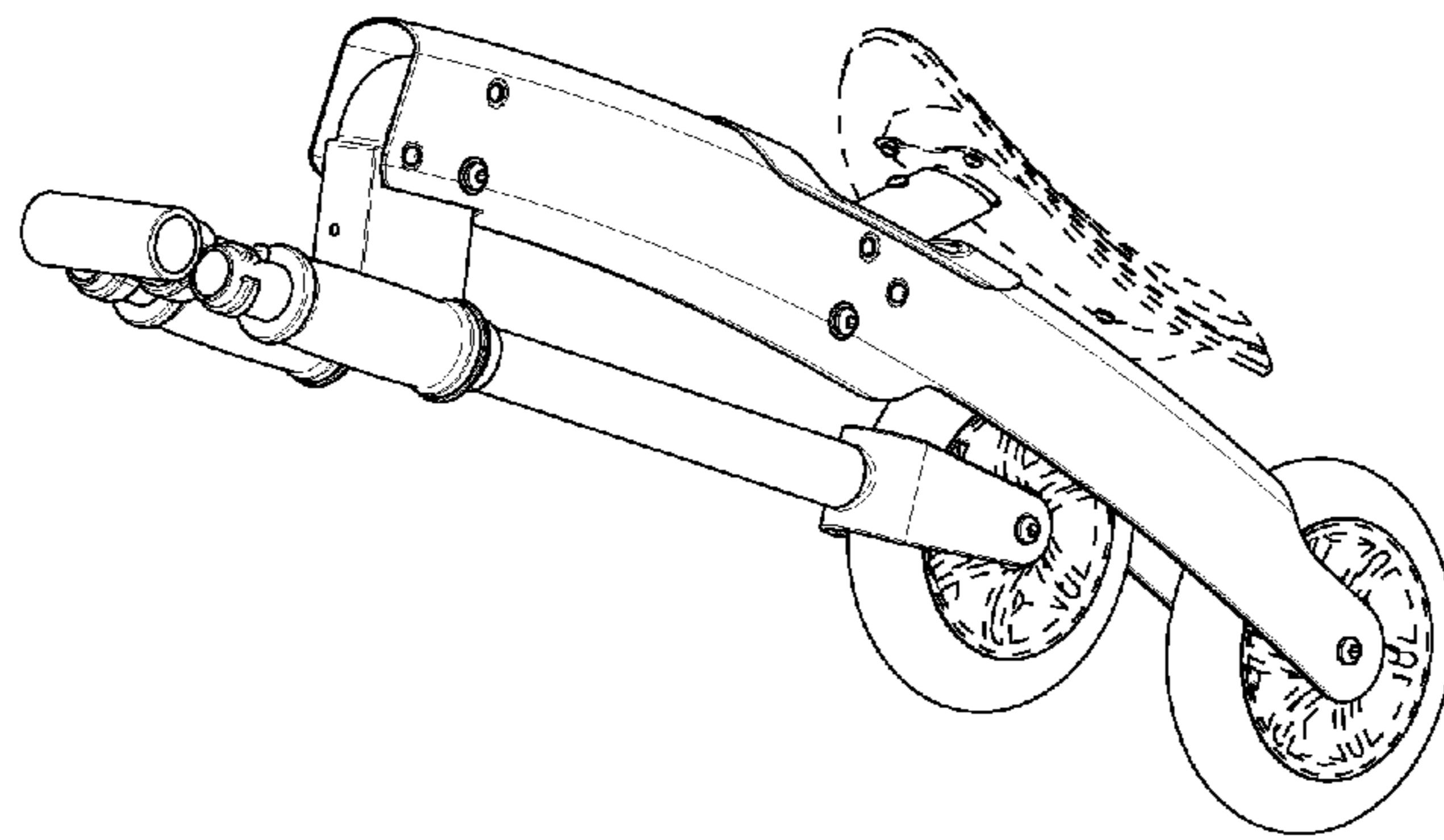


FIG. 7



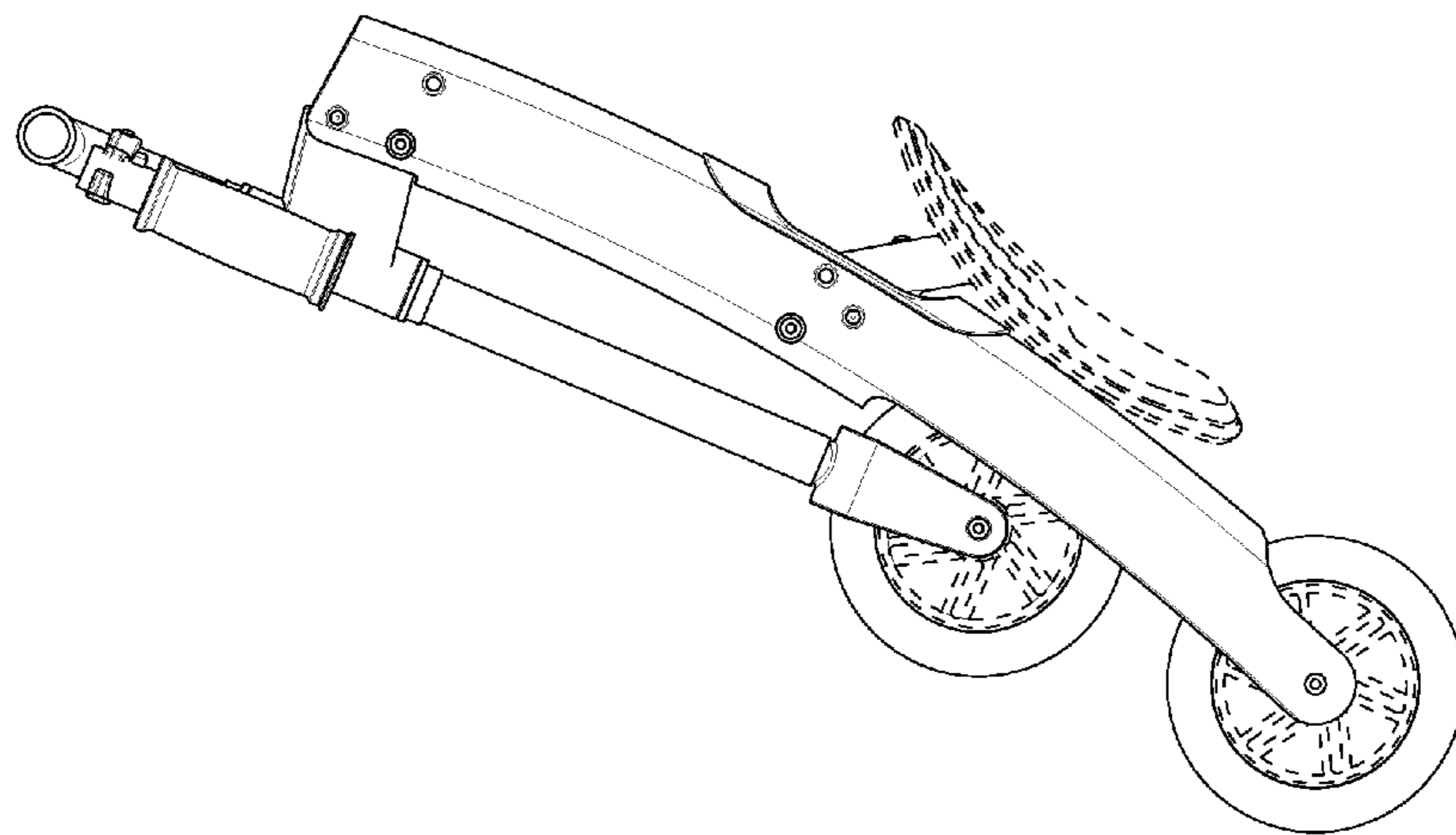


FIG. 8