

US00D668585S

(12) **United States Design Patent**  
**Booher**

(10) **Patent No.:** **US D668,585 S**  
(45) **Date of Patent:** **\*\* Oct. 9, 2012**

- (54) **TRAILER SIDE WALL AND FLOOR STRUCTURE**
- (75) Inventor: **Howard D. Booher**, Atwater, OH (US)
- (73) Assignee: **East Manufacturing Corporation**, Randolph, OH (US)
- (\*\*) Term: **14 Years**
- (21) Appl. No.: **29/387,879**
- (22) Filed: **Mar. 19, 2011**

**Related U.S. Application Data**

- (63) Continuation-in-part of application No. 13/049,382, filed on Mar. 16, 2011.
- (51) **LOC (9) Cl.** ..... **12-10**
- (52) **U.S. Cl.** ..... **D12/106**
- (58) **Field of Classification Search** ..... D12/19, D12/129, 100-106, 111-112; D21/425, D21/435; D34/21-26, 12, 16-19; 280/204, 280/205, 63, 475, 482, 647; 296/168, 180, 296/180.2, 61, 10, 100.01-100.08  
See application file for complete search history.

**References Cited**

**U.S. PATENT DOCUMENTS**

1,847,132	A *	3/1932	Morrow	.....	105/377.05
2,356,008	A	8/1944	Schafer		
D194,662	S *	2/1963	Zala	.....	D12/102
4,302,044	A *	11/1981	Sims	.....	296/186.4
4,627,658	A *	12/1986	Vold et al.	.....	296/100.1
4,767,152	A *	8/1988	Stluka et al.	.....	296/100.1
4,874,184	A *	10/1989	Boyer	.....	280/423.1
D318,033	S *	7/1991	Pelt	.....	D12/95
5,041,318	A	8/1991	Hulls		
5,042,395	A	8/1991	Wackerle et al.		
5,454,620	A	10/1995	Hill et al.		
5,482,356	A	1/1996	Goodson, Jr.		

5,542,734	A *	8/1996	Burchett et al.	.....	296/100.1
5,664,826	A	9/1997	Wilkins		
5,681,095	A	10/1997	Martin		
5,988,732	A *	11/1999	Schouten	.....	296/186.4
6,095,715	A	8/2000	Hulls		
6,227,608	B1 *	5/2001	Hoyne	.....	296/183.1
6,425,626	B1	7/2002	Kloepfer		
6,513,297	B2	2/2003	Kloepfer		
6,612,643	B1	9/2003	McWilliams		
6,669,271	B2	12/2003	Booher		

(Continued)

**FOREIGN PATENT DOCUMENTS**

WO WO 2011/071930 6/2011

*Primary Examiner* — Caron D Veynar

*Assistant Examiner* — Katrina A Betton

(74) *Attorney, Agent, or Firm* — Fay Sharpe LLP

(57) **CLAIM**

The ornamental design for a trailer side wall and floor structure, as shown and described.

**DESCRIPTION**

FIG. 1 is a side view of the environment of a trailer including the trailer side wall and floor structure showing my new design;

FIG. 2 is a side view of the trailer side wall and floor structure showing my new design;

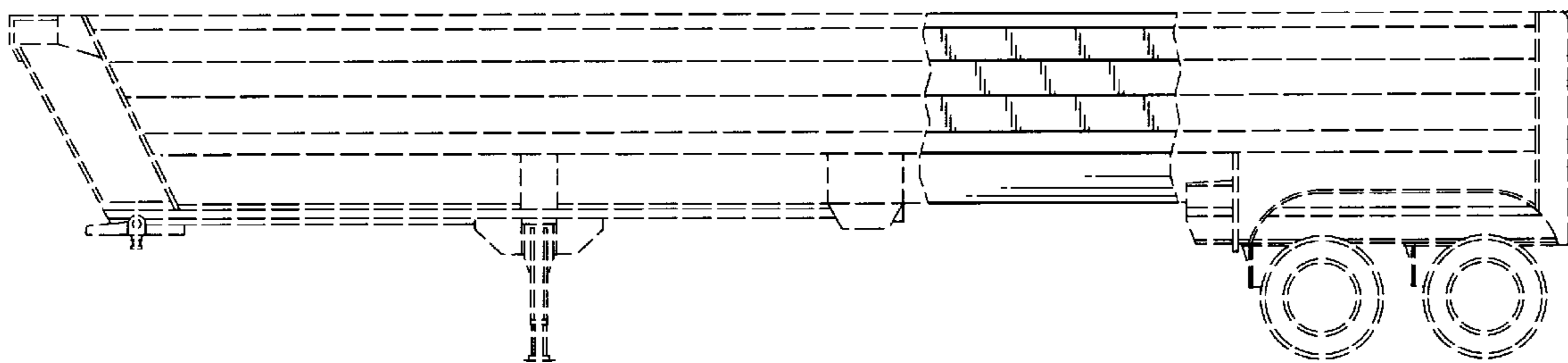
FIG. 3 is a top view of the trailer side wall and floor structure showing my new design;

FIG. 4 is a bottom view of the trailer side wall and floor structure showing my new design; and,

FIG. 5 is an isometric view of the trailer side wall and floor structure showing my new design.

Broken lines are used to depict environment and to represent the boundary of the claimed design and do not form any part of the claimed design.

**1 Claim, 3 Drawing Sheets**





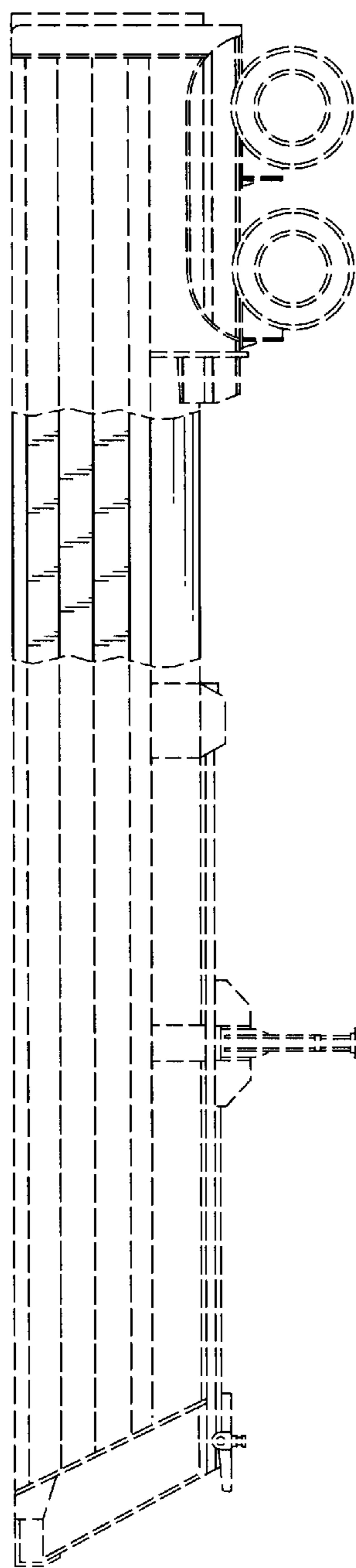


FIG. 1

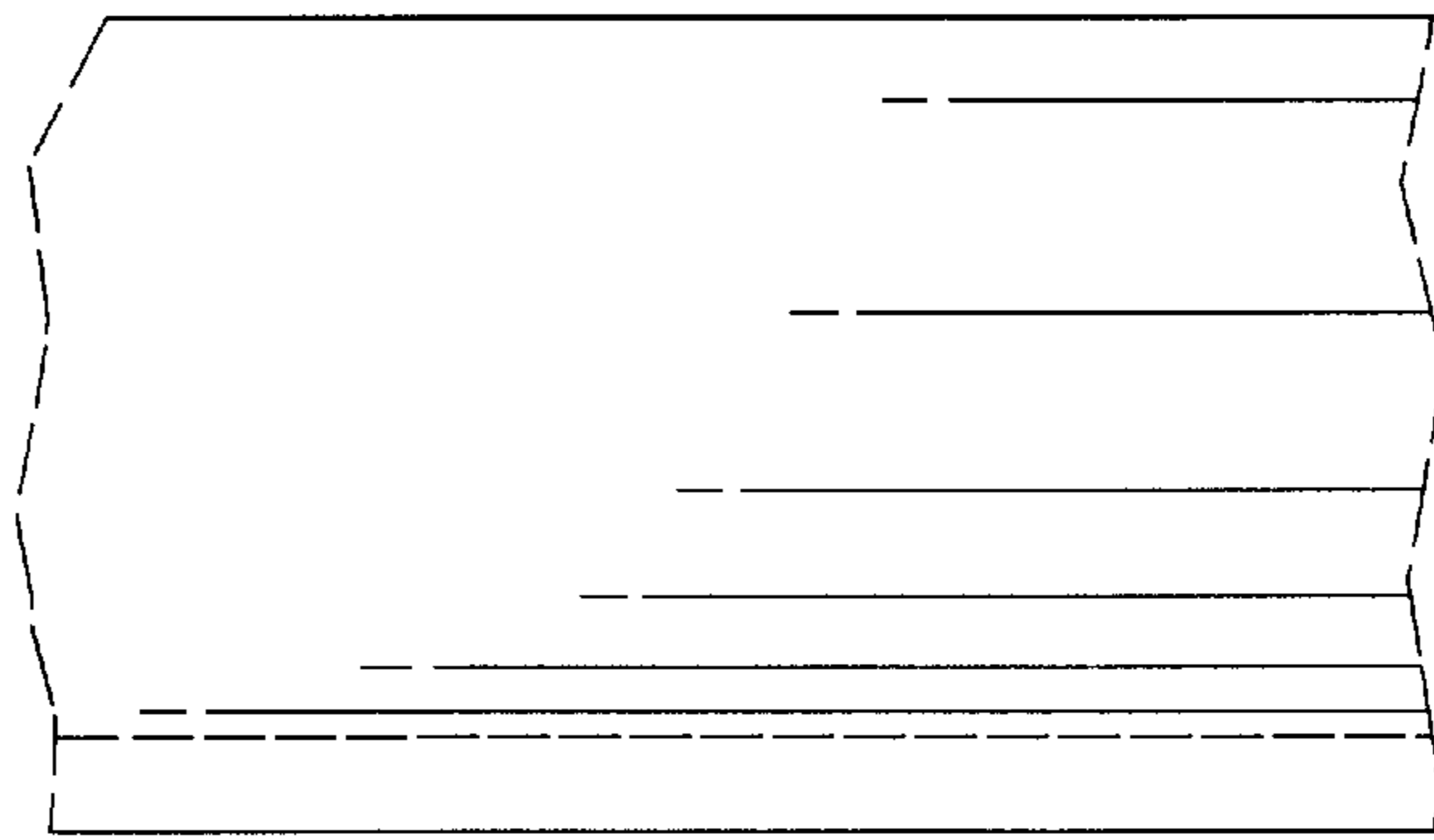


FIG. 3

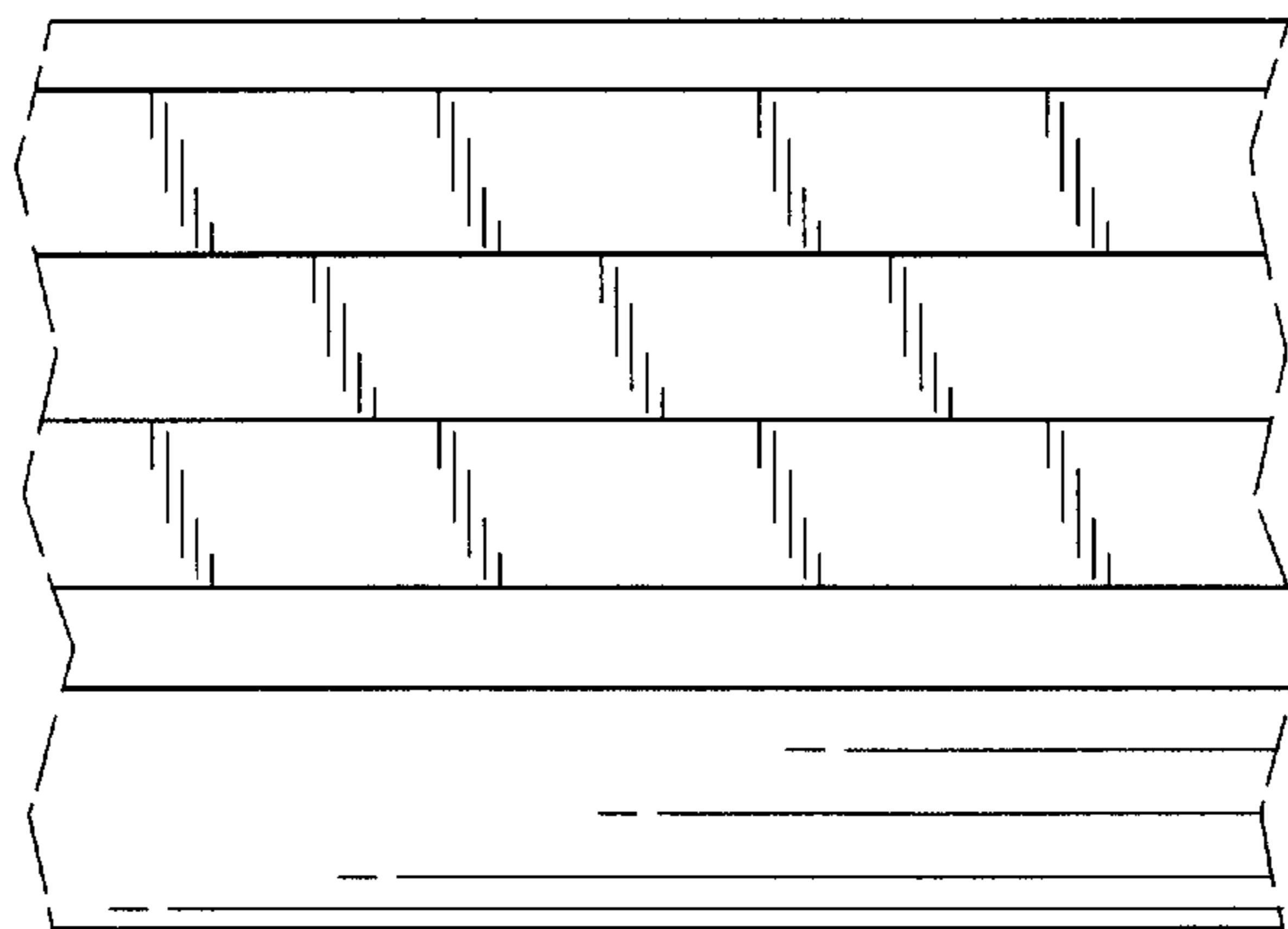


FIG. 2

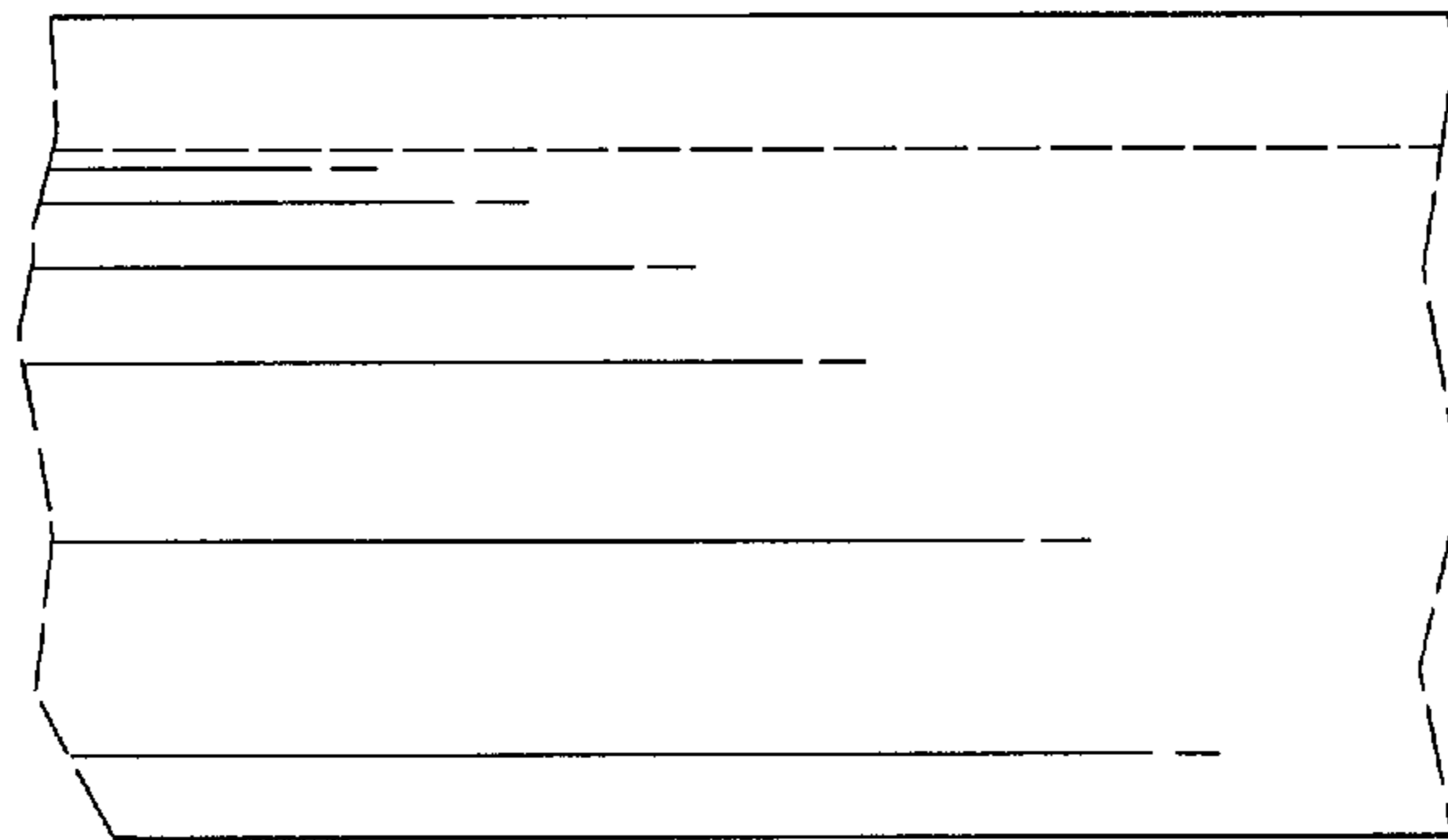


FIG. 4

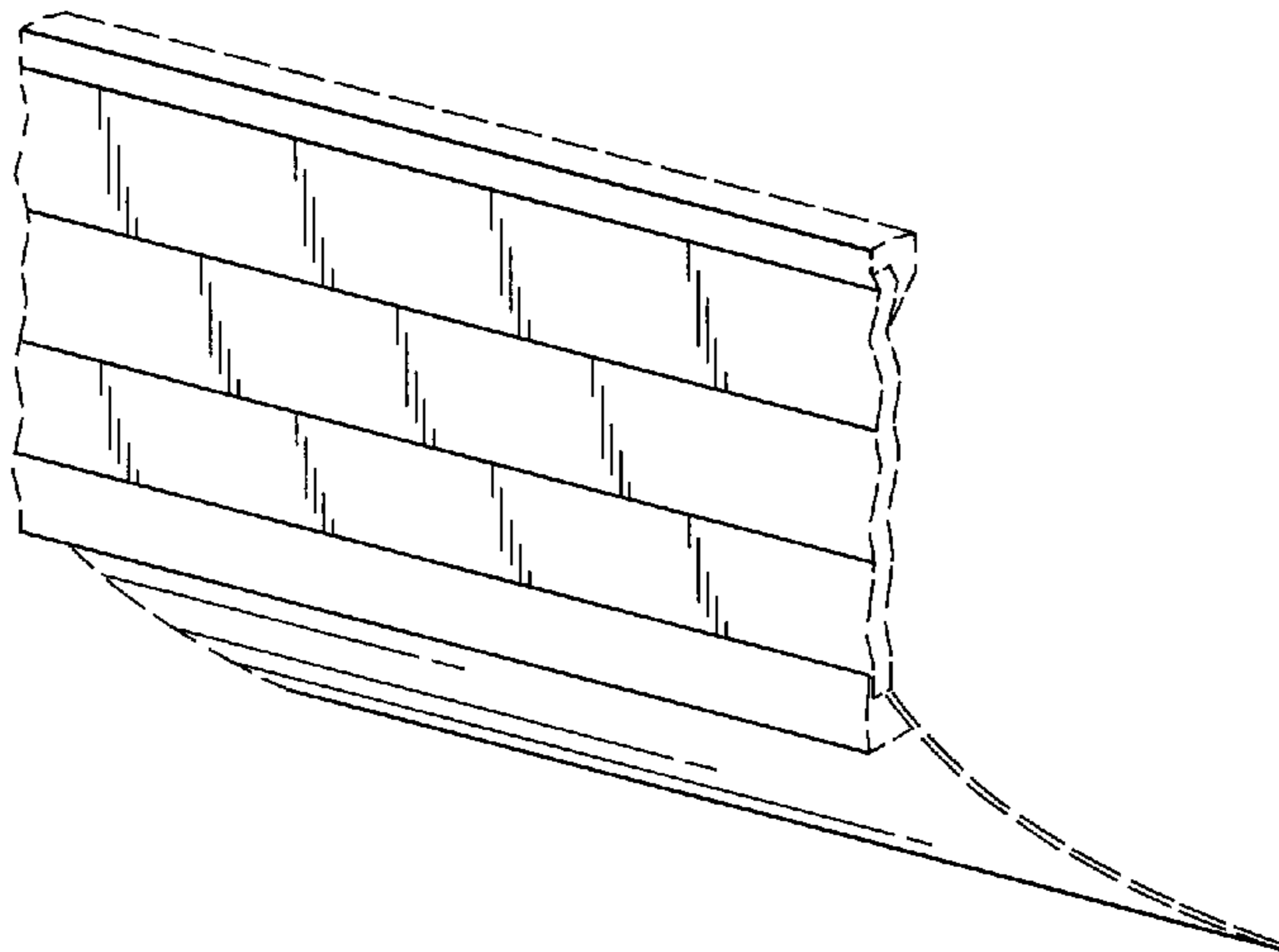


FIG. 5