

US00D668582S

(12) **United States Design Patent**
Doron

(10) **Patent No.:** **US D668,582 S**

(45) **Date of Patent:** **** Oct. 9, 2012**

(54) **VACUUM TANK TRAILER**

(76) Inventor: **Yuval Doron**, College Station, TX (US)

(**) Term: **14 Years**

(21) Appl. No.: **29/413,157**

(22) Filed: **Feb. 11, 2012**

(51) **LOC (9) Cl.** **12-10**

(52) **U.S. Cl.** **D12/102**

(58) **Field of Classification Search** D12/19,
D12/129, 100-106, 111-112; D21/425,
D21/435; D34/21-26, 12, 16-19; 280/204,
280/205, 63, 475, 482, 647; 296/168, 180,
296/180.2, 61, 10, 100.01-100.08

See application file for complete search history.

(56) **References Cited**

U.S. PATENT DOCUMENTS

3,009,428	A *	11/1961	Coolidge	112/470.12
3,503,341	A *	3/1970	Widell et al.	105/377.11
3,744,839	A *	7/1973	Stoneburner	296/181.6
D383,093	S *	9/1997	Garzancich et al.	D12/102
5,988,732	A *	11/1999	Schouten	296/186.4

7,264,296	B1 *	9/2007	Maney et al.	296/100.02
D623,990	S *	9/2010	Yumru	D12/102
D626,035	S *	10/2010	Yumru	D12/102
7,967,363	B2 *	6/2011	Schaefer et al.	296/100.06

* cited by examiner

Primary Examiner — Caron D Veynar

Assistant Examiner — Katrina A Betton

(74) *Attorney, Agent, or Firm* — Douglas Baldwin

(57) **CLAIM**

I claim the ornamental design for a vacuum tank trailer, as shown.

DESCRIPTION

FIG. 1 is an isometric view showing my new design.

FIG. 2 is a front end elevation view.

FIG. 3 is a right side elevation view.

FIG. 4 is a top elevation view.

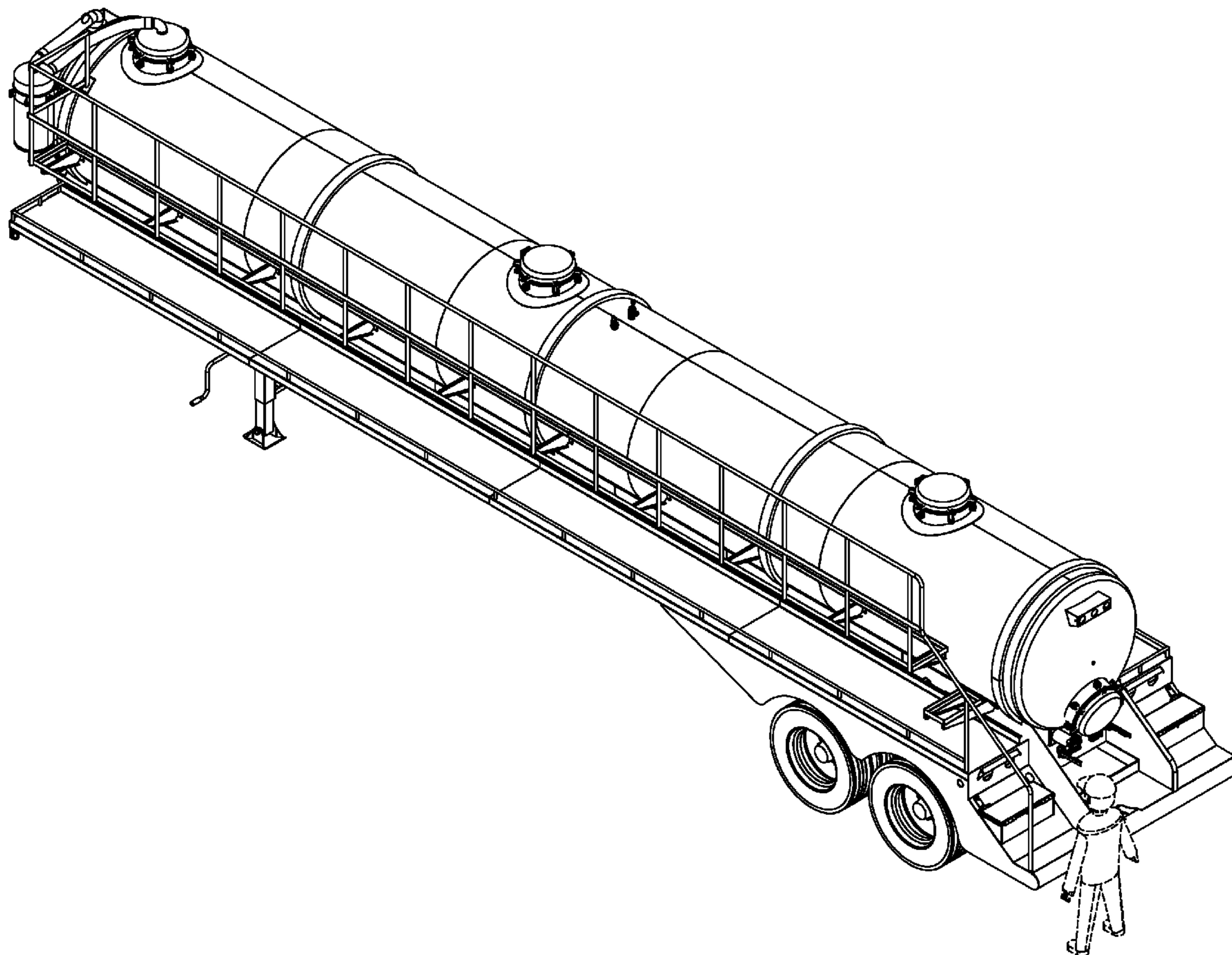
FIG. 5 is a bottom elevation view.

FIG. 6 is a left side elevation view; and,

FIG. 7 is a back elevation view.

In the drawings, the broken lines show a human figure that forms no part of the claimed design.

1 Claim, 3 Drawing Sheets



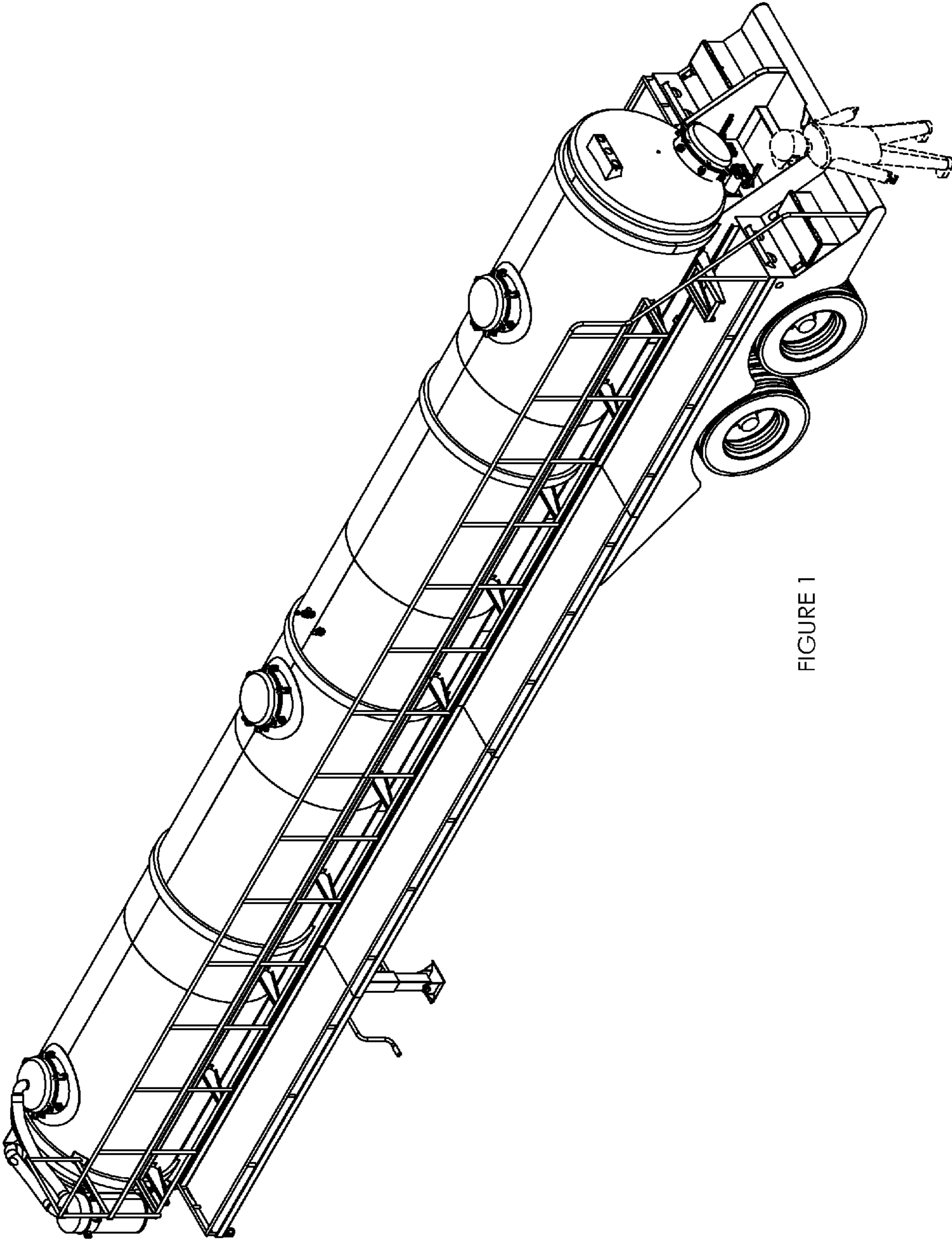


FIGURE 1

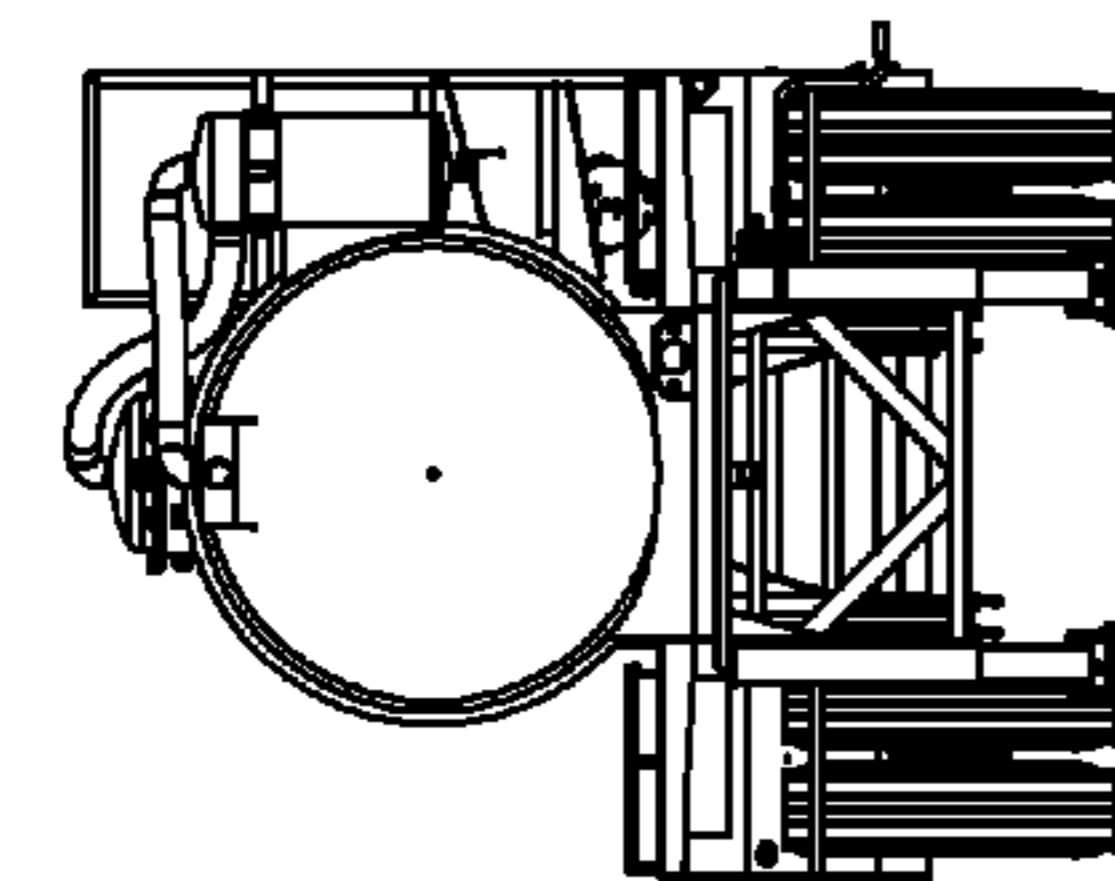


FIGURE 2

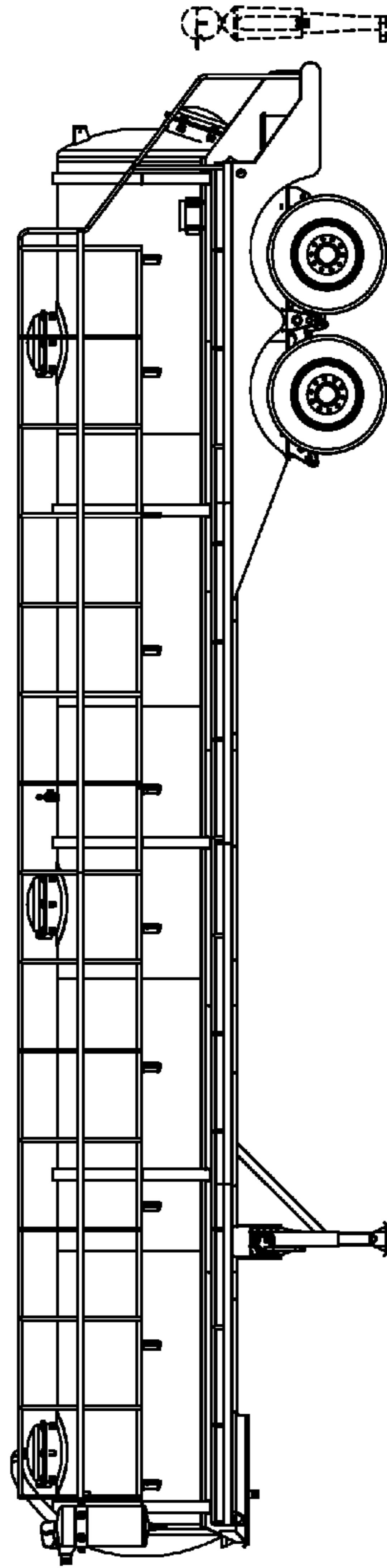


FIGURE 3

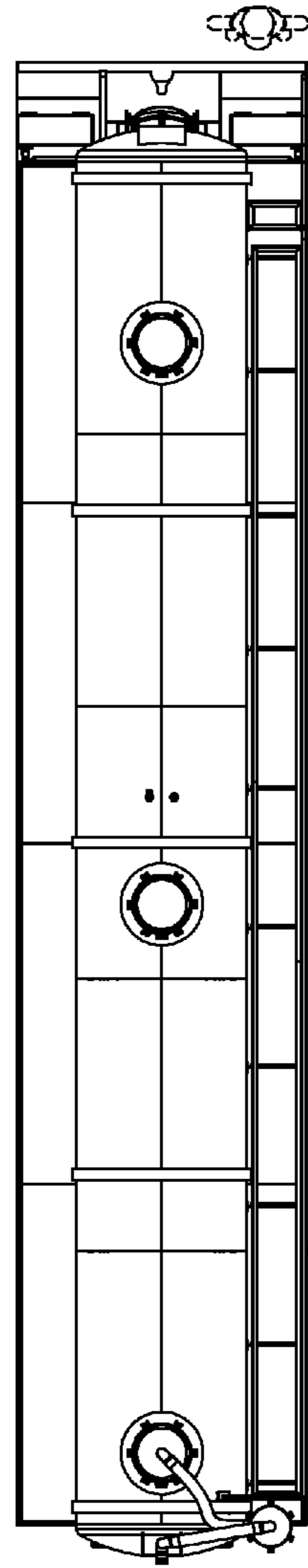


FIGURE 4

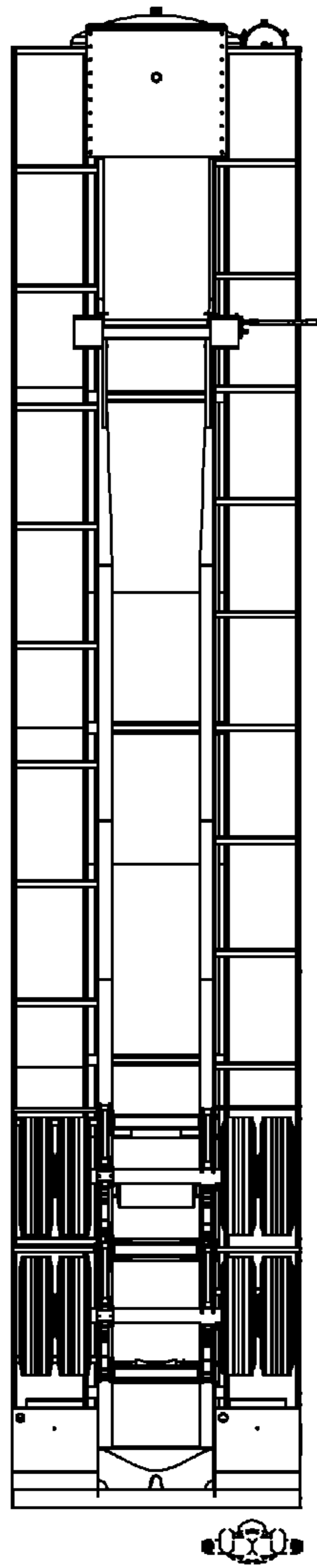


FIGURE 5

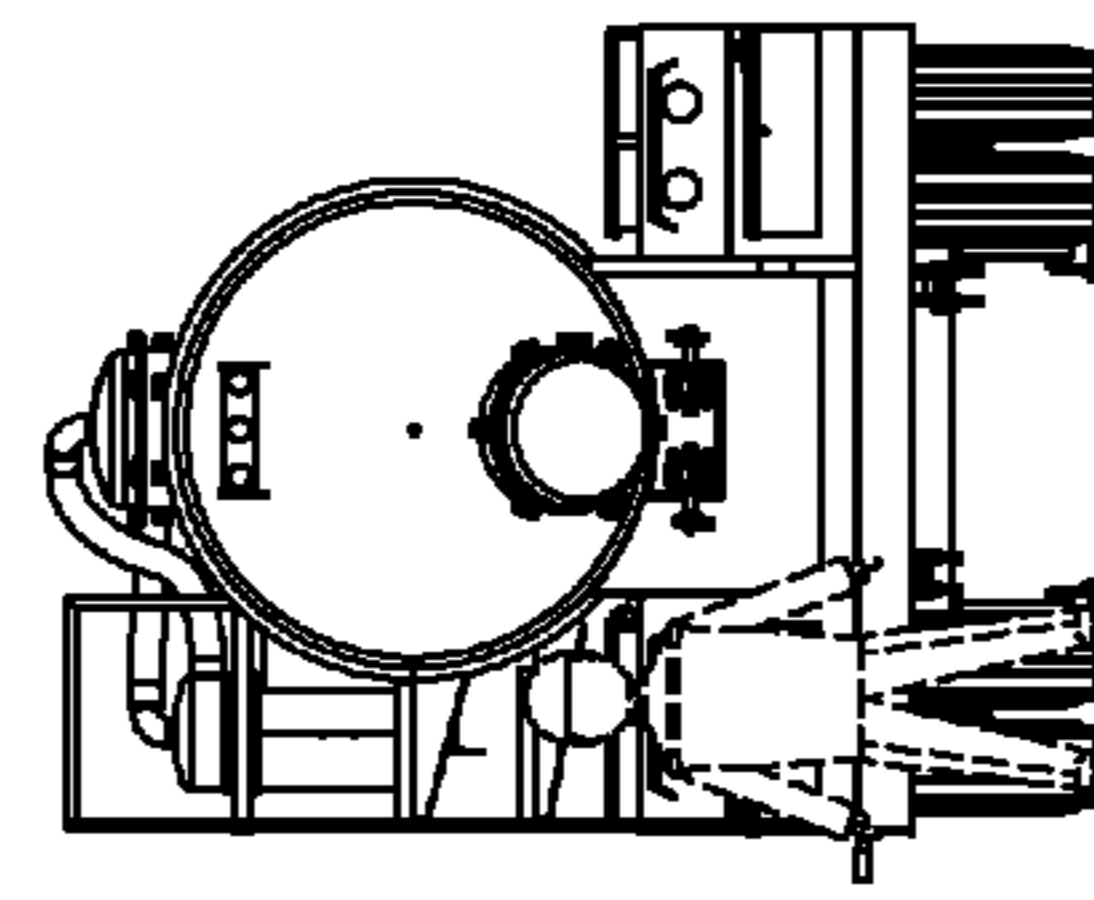


FIGURE 7

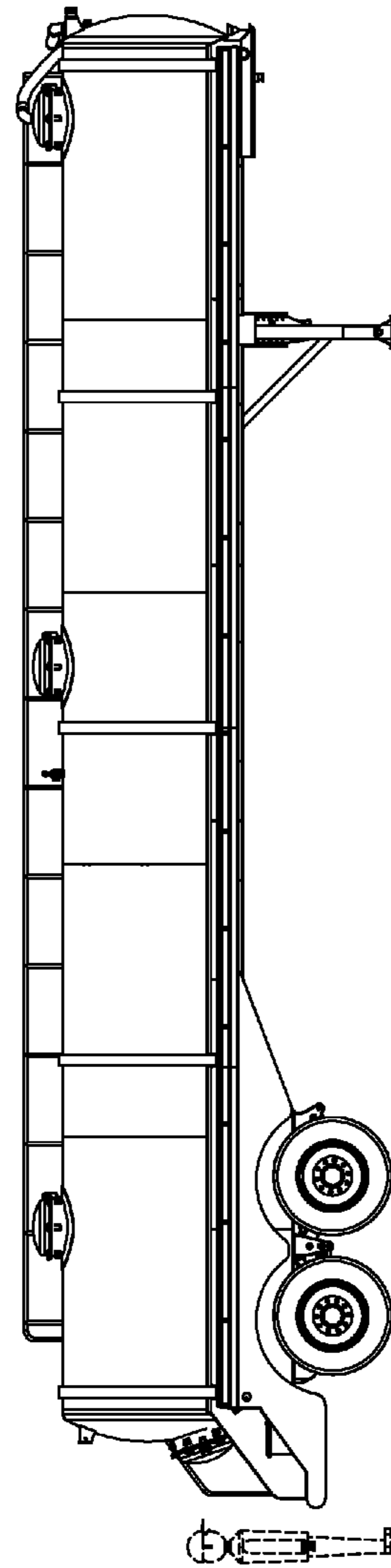


FIGURE 6