



US00D668581S

(12) **United States Design Patent**  
**Kim et al.**

(10) **Patent No.:** **US D668,581 S**  
(45) **Date of Patent:** **\*\* Oct. 9, 2012**

- (54) **MOTOR VEHICLE AND/OR TOY REPLICA THEREOF**
- (75) Inventors: **Jin Won Kim**, Tustin Ranch, CA (US);  
**Tomonori Matsumoto**, Irvine, CA (US);  
**Craig Yen Kember**, Irvine, CA (US);  
**Alexander Wen Shen**, Fullerton, CA (US)
- (73) Assignee: **Toyota Jidosha Kabushiki Kaisha** (JP)
- (\*\*) Term: **14 Years**
- (21) Appl. No.: **29/403,574**
- (22) Filed: **Oct. 7, 2011**
- (51) **LOC (9) Cl.** ..... **12-08**
- (52) **U.S. Cl.** ..... **D12/86**
- (58) **Field of Classification Search** ..... D12/86,  
D12/90-92; D21/424, 433, 434; 296/181.1,  
296/181.5  
See application file for complete search history.

(56) **References Cited**

**U.S. PATENT DOCUMENTS**

D396,662 S *	8/1998	Belker et al. ....	D12/86
D495,275 S *	8/2004	Castiglione et al. ....	D12/86
D614,083 S *	4/2010	Wainfan .....	D12/86
D621,750 S *	8/2010	Majdandzic .....	D12/92

**OTHER PUBLICATIONS**

Mazda, Mazda Kiyora, <http://inhabitant.com/>, available at least as early as Oct. 7, 2008.  
Volvo, Volvo 3cc, <http://www.conceptcaronline.com/news/>, available at least as early as Oct. 13, 2004.

\* cited by examiner

*Primary Examiner* — Melody N Brown

(74) *Attorney, Agent, or Firm* — SAIDMAN DesignLaw Group

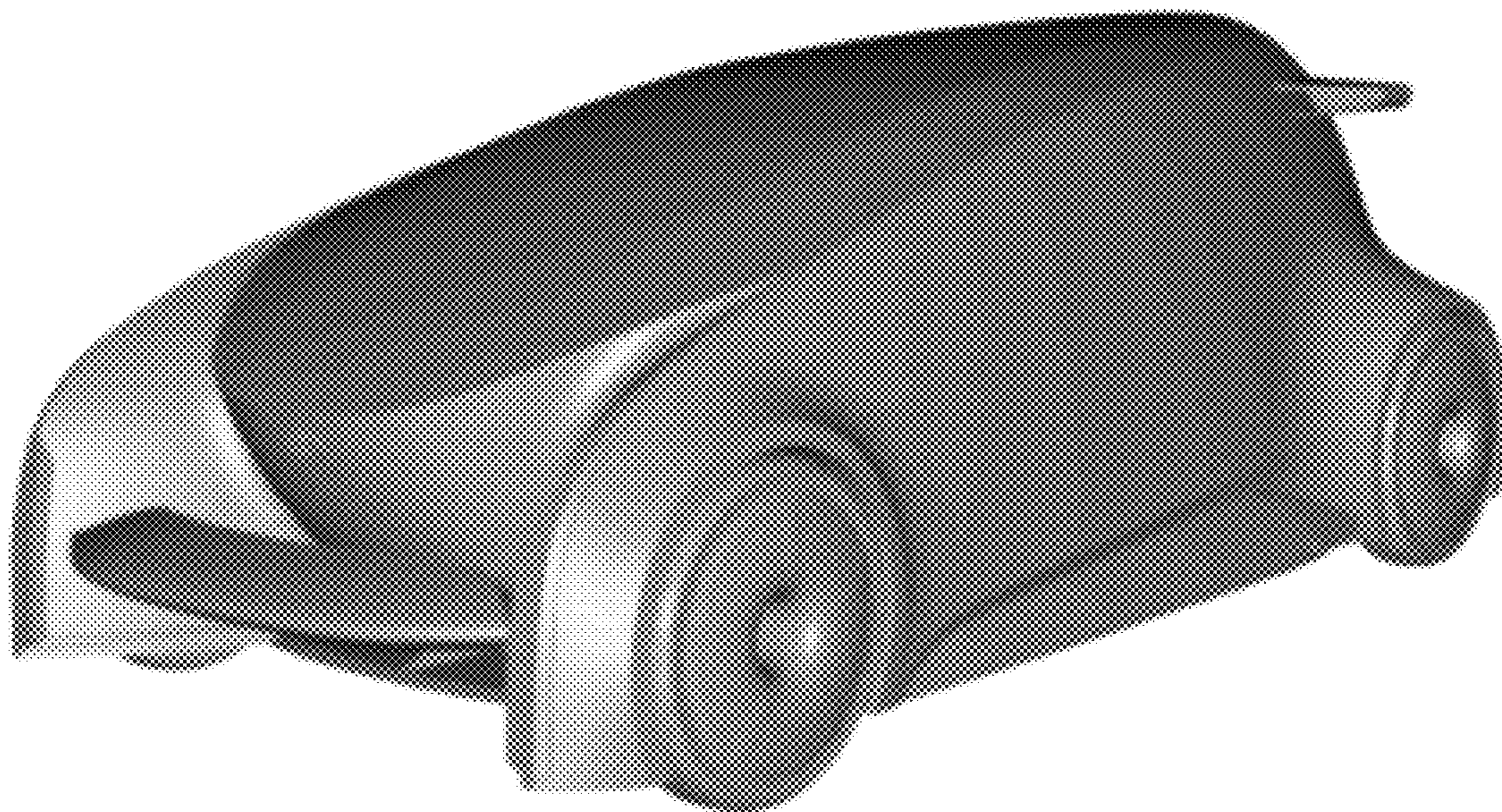
(57) **CLAIM**

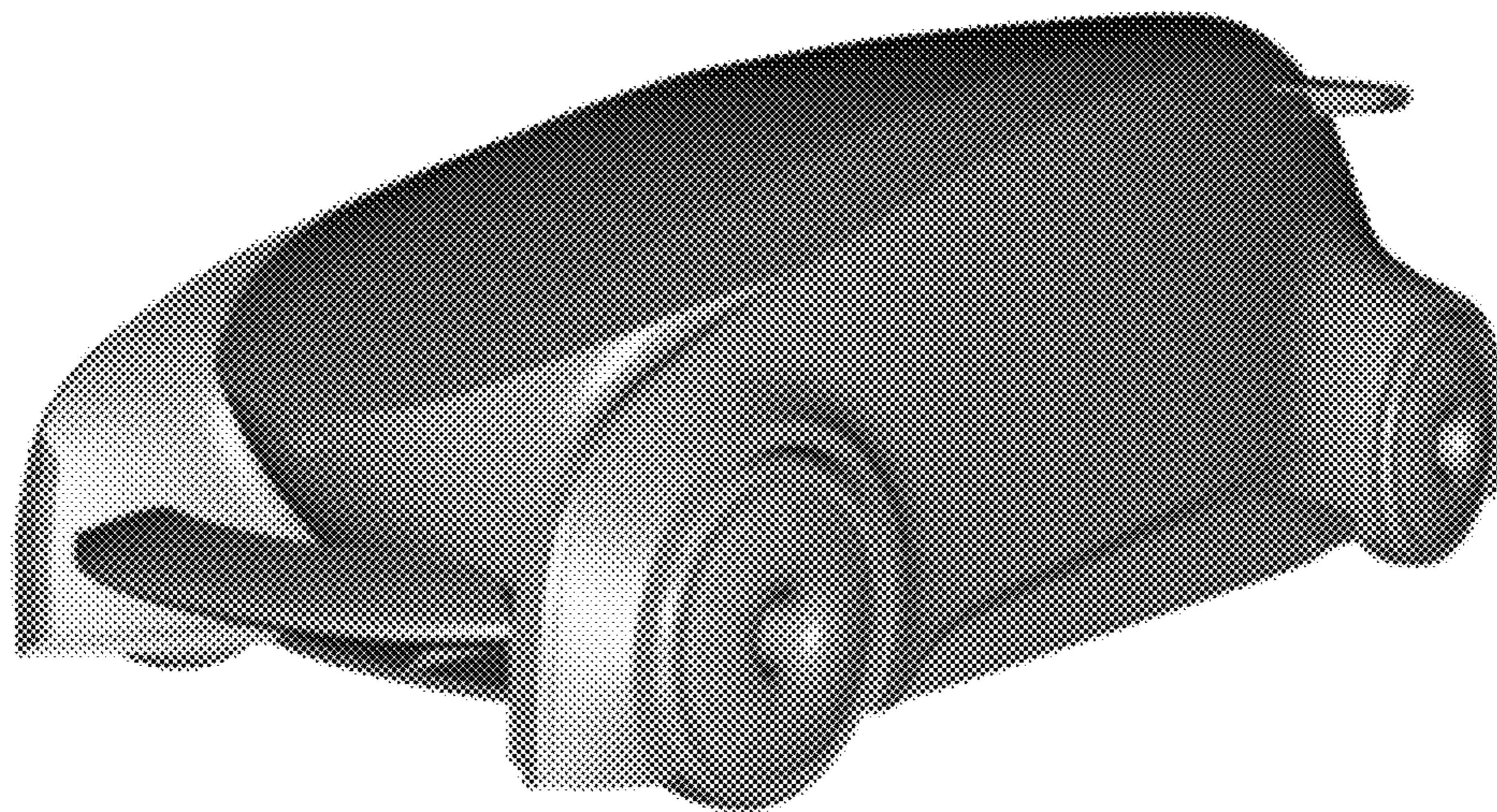
The ornamental design for a motor vehicle and/or toy replica thereof, as shown and described.

**DESCRIPTION**

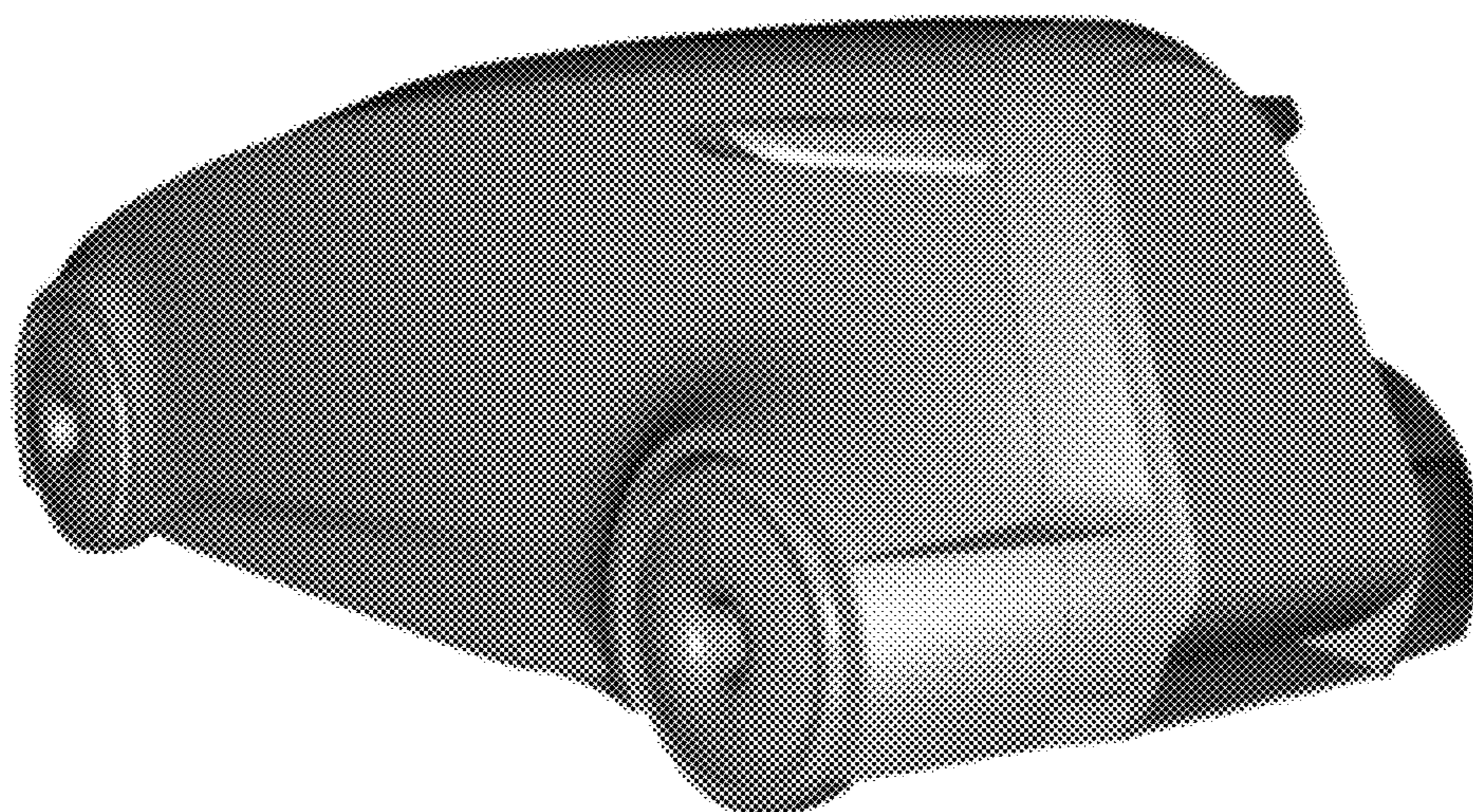
FIG. 1 is a front perspective view of a motor vehicle and/or toy replica thereof showing our new design;  
FIG. 2 is a rear perspective view thereof;  
FIG. 3 is a front view thereof;  
FIG. 4 is a rear view thereof;  
FIG. 5 is a right side view thereof, the left side view being a mirror image thereof; and,  
FIG. 6 is a top view thereof.

**1 Claim, 3 Drawing Sheets**





**FIG. 1**



**FIG. 2**

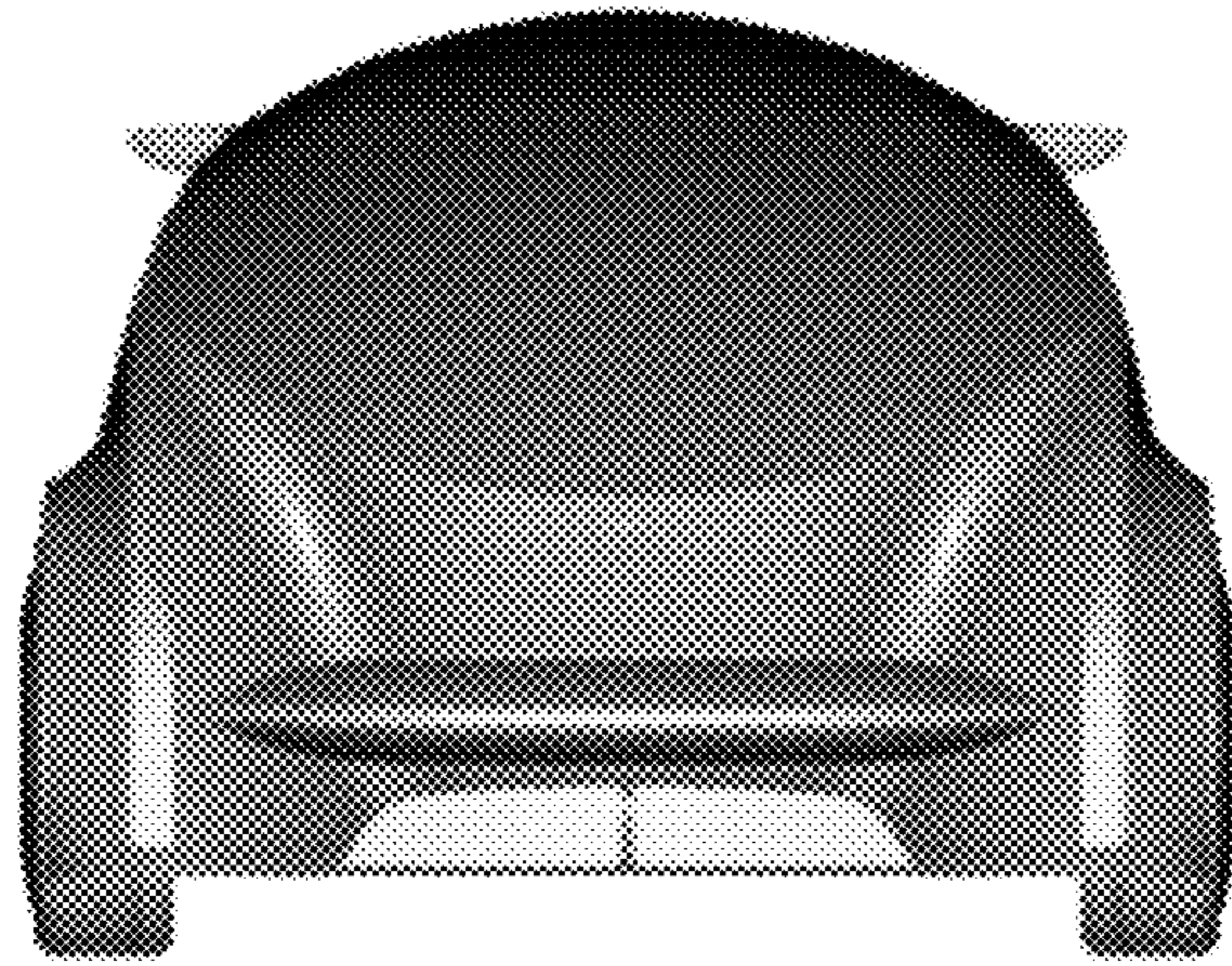


FIG. 3

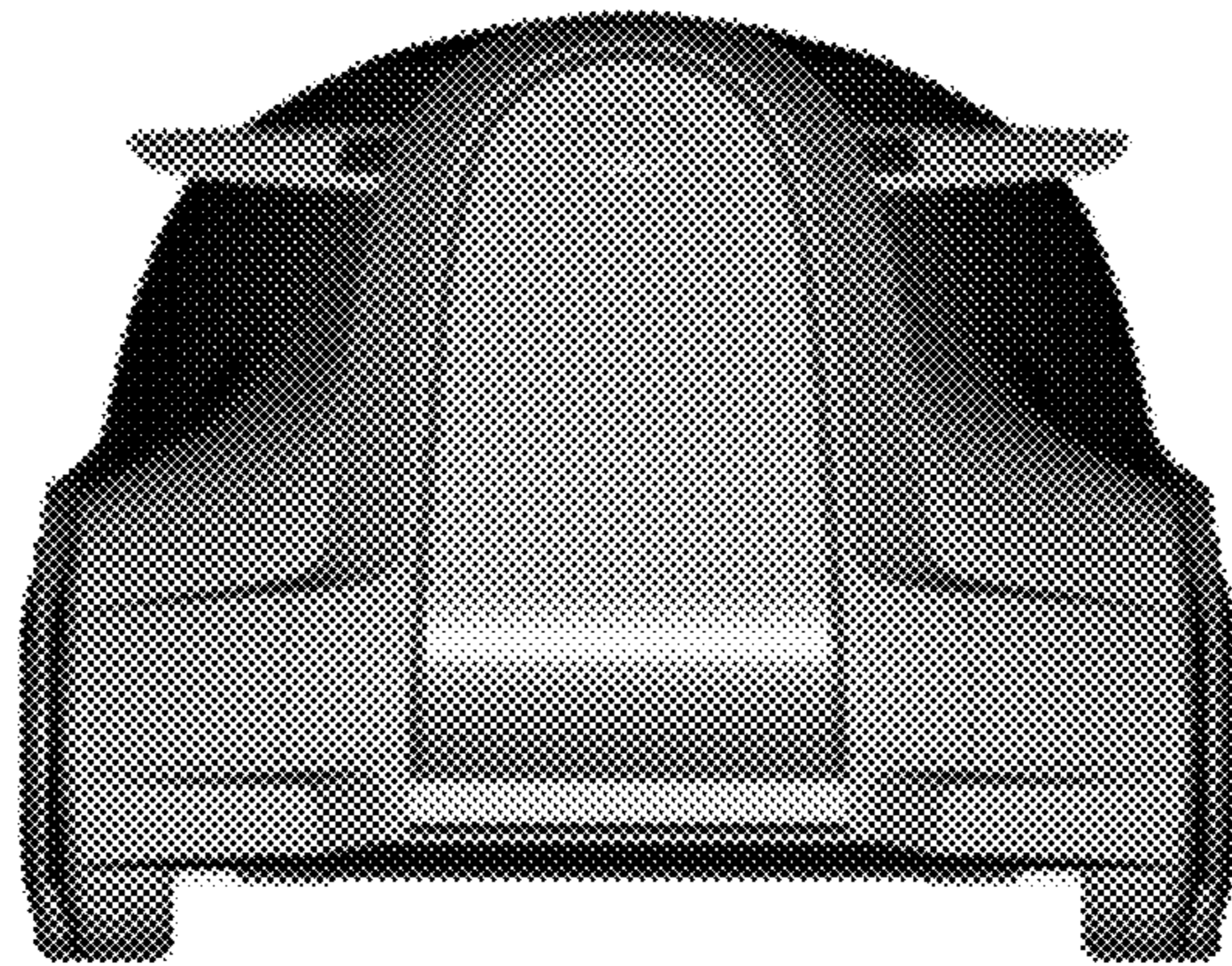


FIG. 4

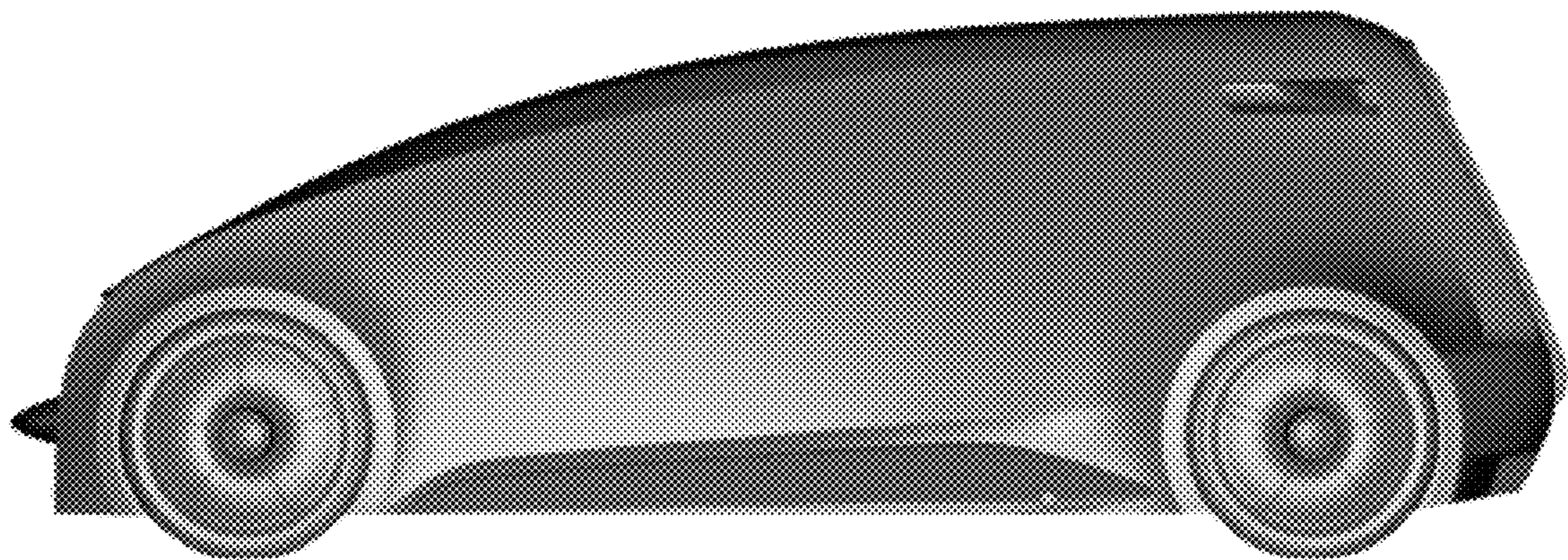
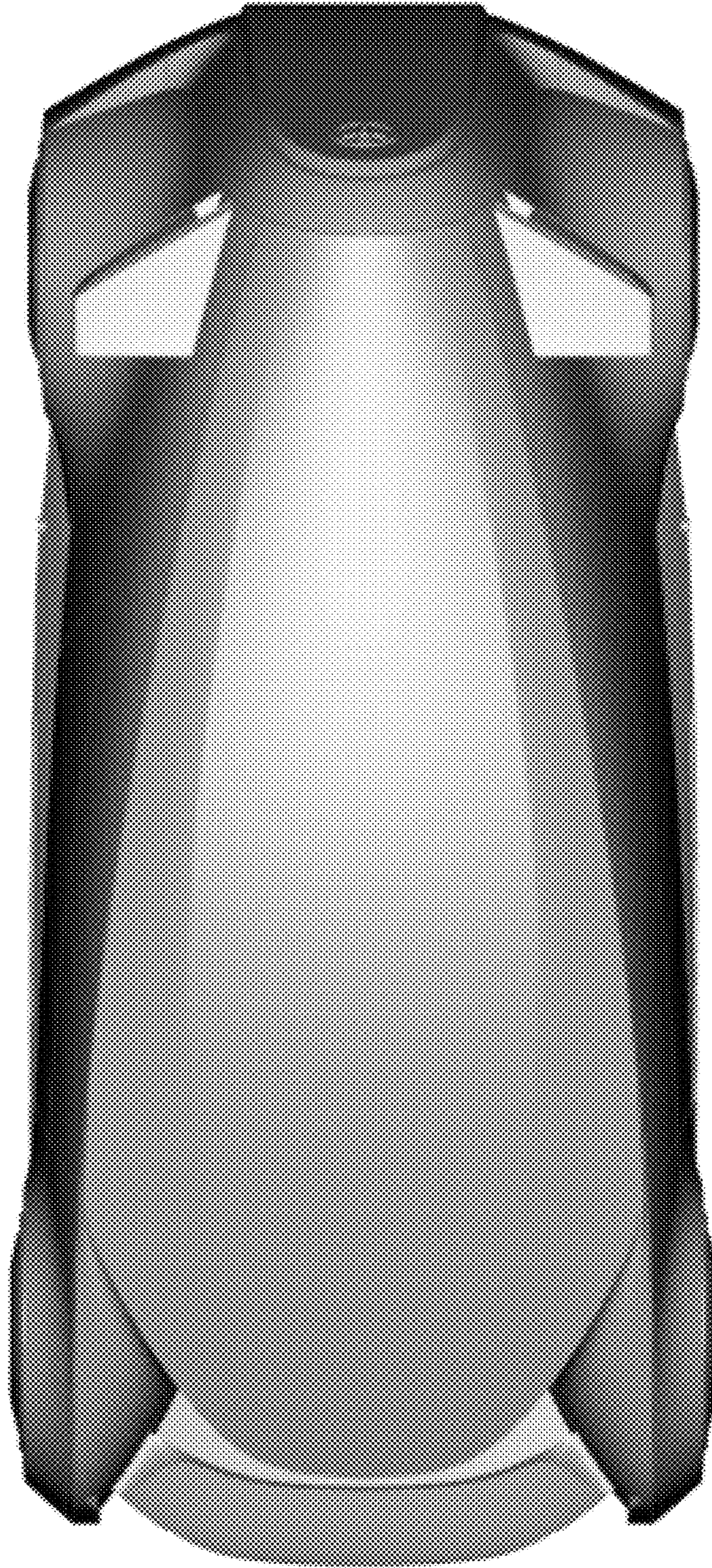


FIG. 5



**FIG. 6**