



US00D668580S

(12) **United States Design Patent**  
**Kax**

(10) **Patent No.:** **US D668,580 S**

(45) **Date of Patent:** **\*\* Oct. 9, 2012**

(54) **WEBBING ADJUSTER**

*Primary Examiner* — Ralf Seifert

(75) Inventor: **Henrik Joergen Samuel Kax**,  
Stockholm (SE)

(74) *Attorney, Agent, or Firm* — Collard & Roe, P.C.

(73) Assignee: **Duraflex Hong Kong Limited**, Sheung  
Wan (HK)

(57) **CLAIM**

(\*\*) Term: **14 Years**

The ornamental design for a webbing adjuster, as shown and described.

(21) Appl. No.: **29/410,798**

(22) Filed: **Jan. 12, 2012**

**DESCRIPTION**

(51) **LOC (9) Cl.** ..... **02-07**

(52) **U.S. Cl.** ..... **D11/218**

(58) **Field of Classification Search** ..... D11/1-2,  
D11/200-201, 206-210, 214-218; 24/163 R,  
24/169-171, 173, 177-179, 191, 194-195,  
24/197, 200, 614-616, 625

See application file for complete search history.

FIG. 1 is top and side perspective view of my design for a webbing adjuster;

FIG. 2 is a front view thereof;

FIG. 3 is a rear view thereof;

FIG. 4 is a side view thereof;

FIG. 5 is an opposite side view thereof;

FIG. 6 is a top view thereof;

FIG. 7 is a bottom view thereof; and,

FIG. 8 is a top and side perspective view showing webbing mounted thereon.

The features shown in broken lines show environmental structure only and form no part of the claimed design.

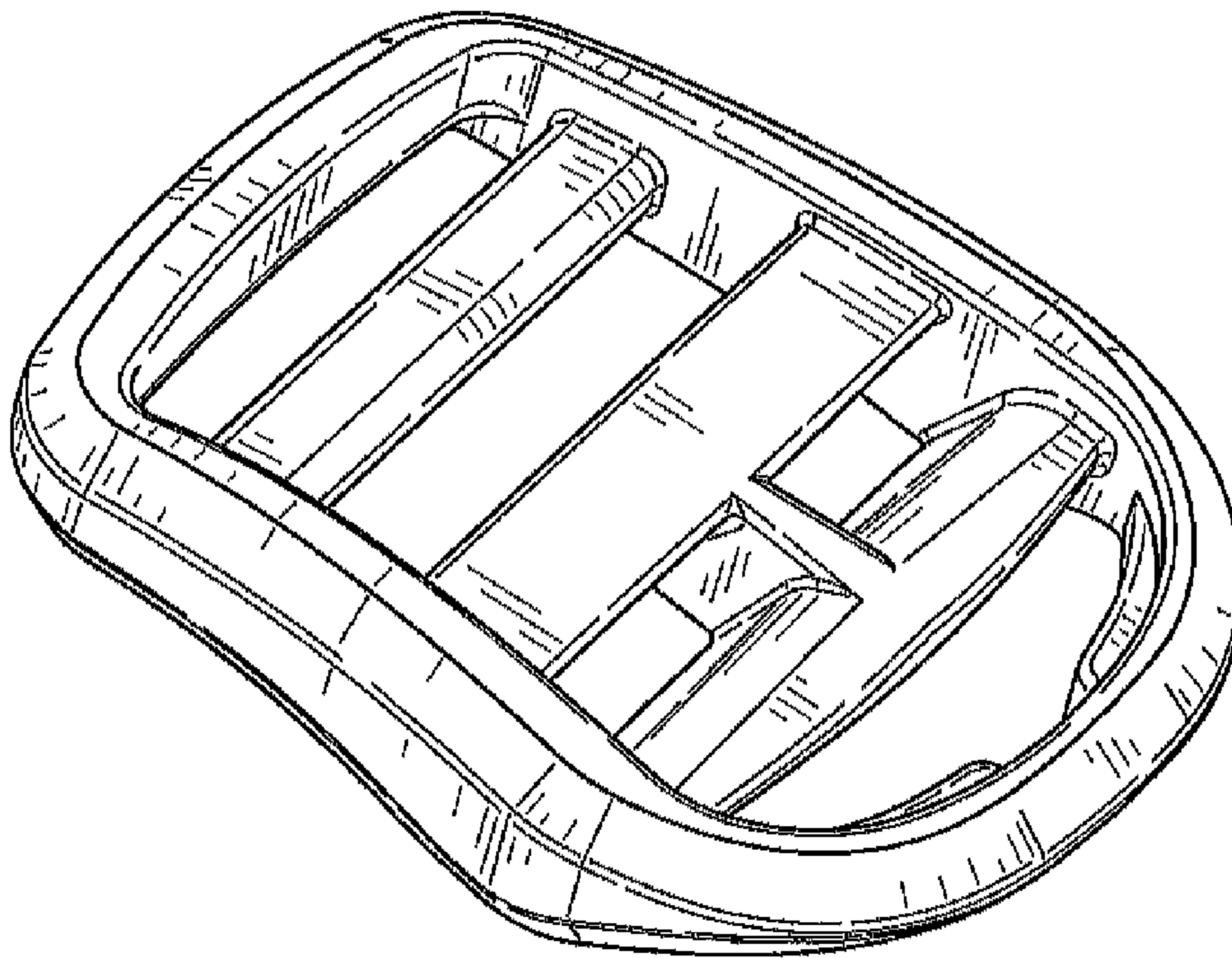
(56) **References Cited**

**U.S. PATENT DOCUMENTS**

D483,294 S	*	12/2003	Uehara	.....	D11/218
D491,103 S	*	6/2004	Uehara et al.	.....	D11/218
D595,612 S	*	7/2009	Pontaoe	.....	D11/218
D650,720 S	*	12/2011	Park	.....	D11/218

\* cited by examiner

**1 Claim, 2 Drawing Sheets**



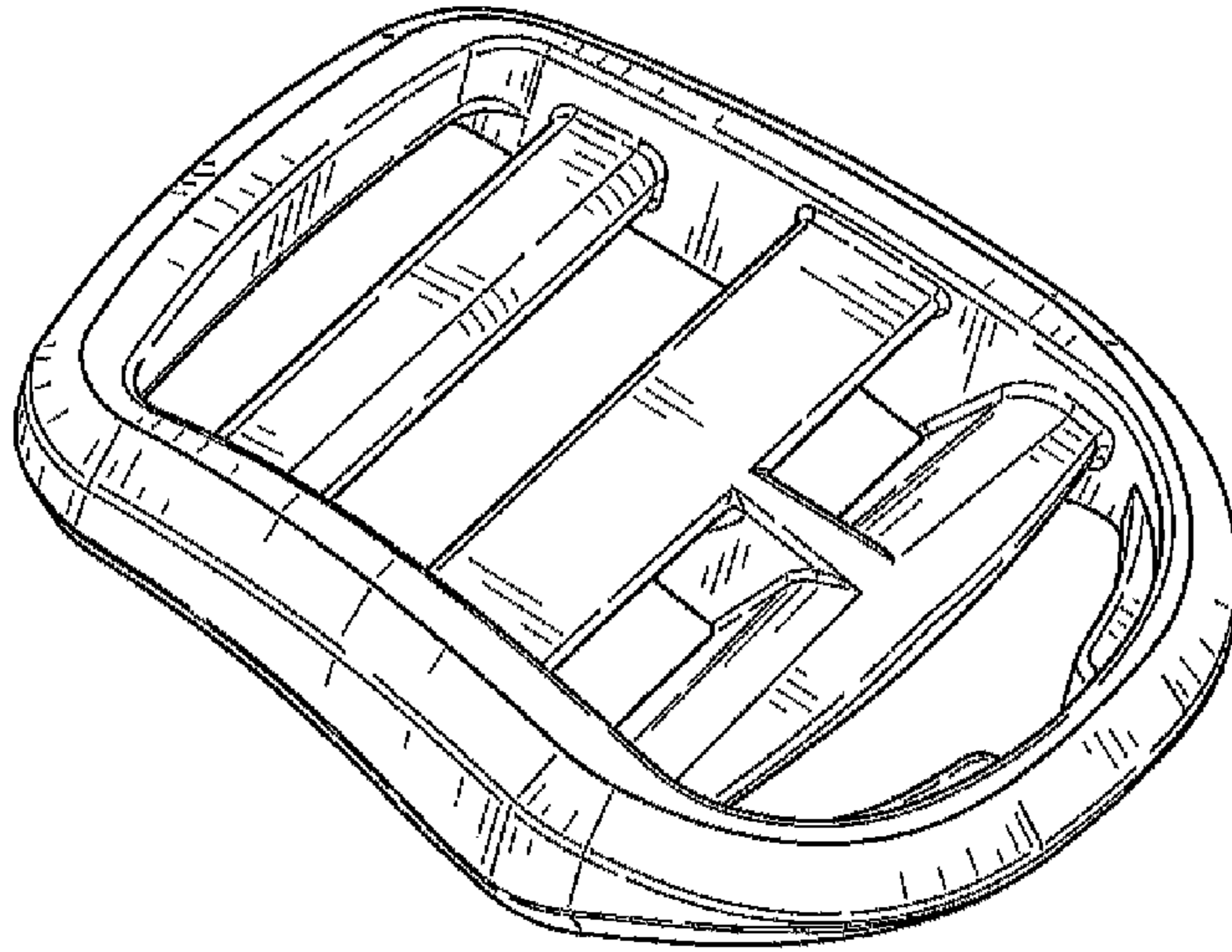


FIG. 1

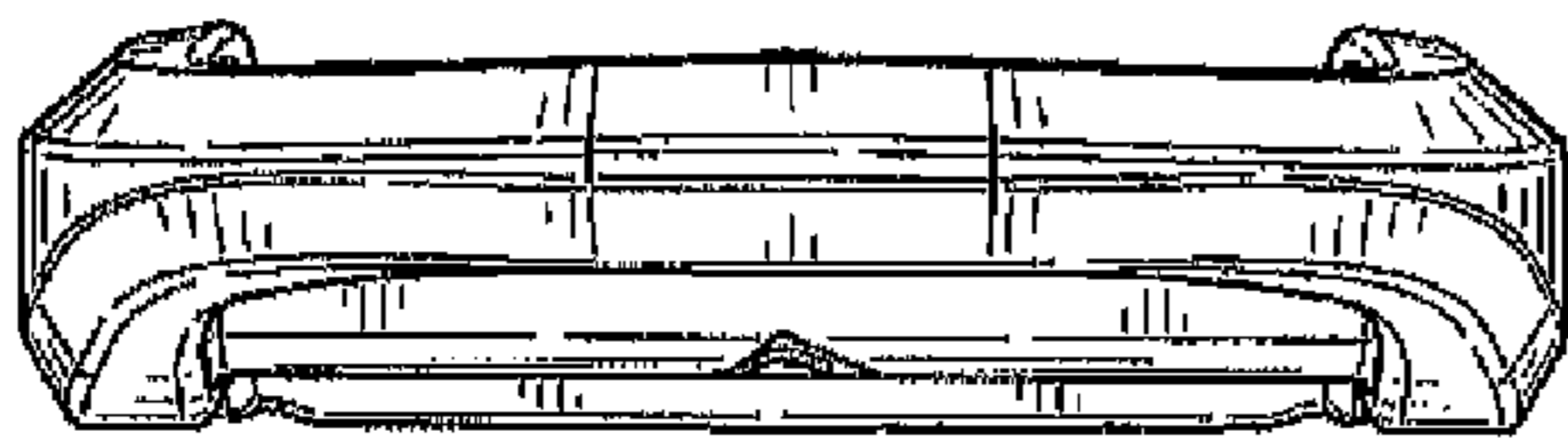


FIG. 2

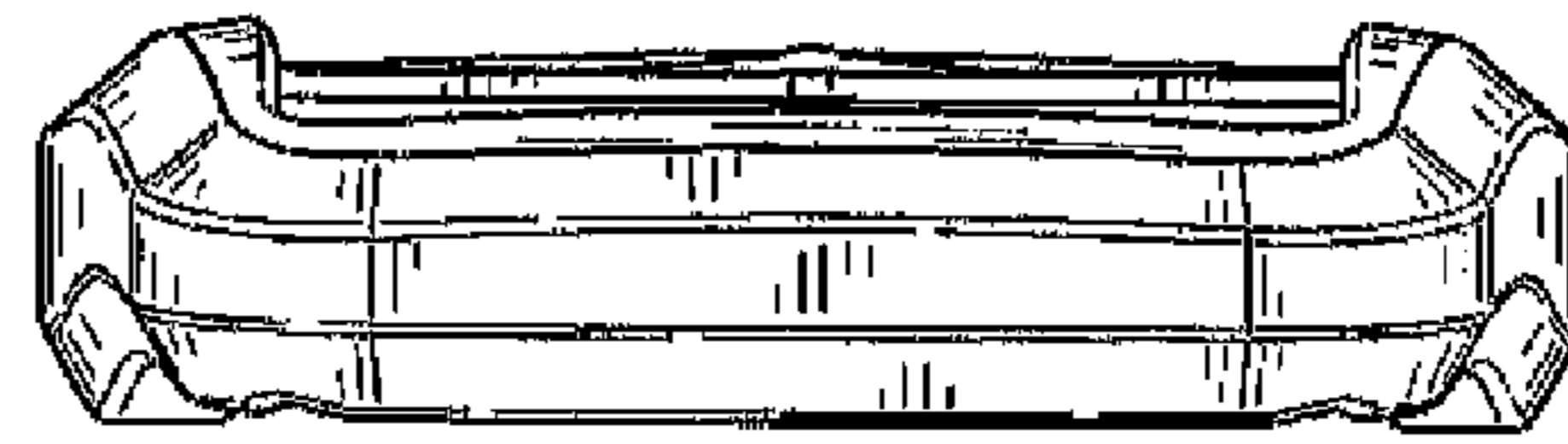


FIG. 3

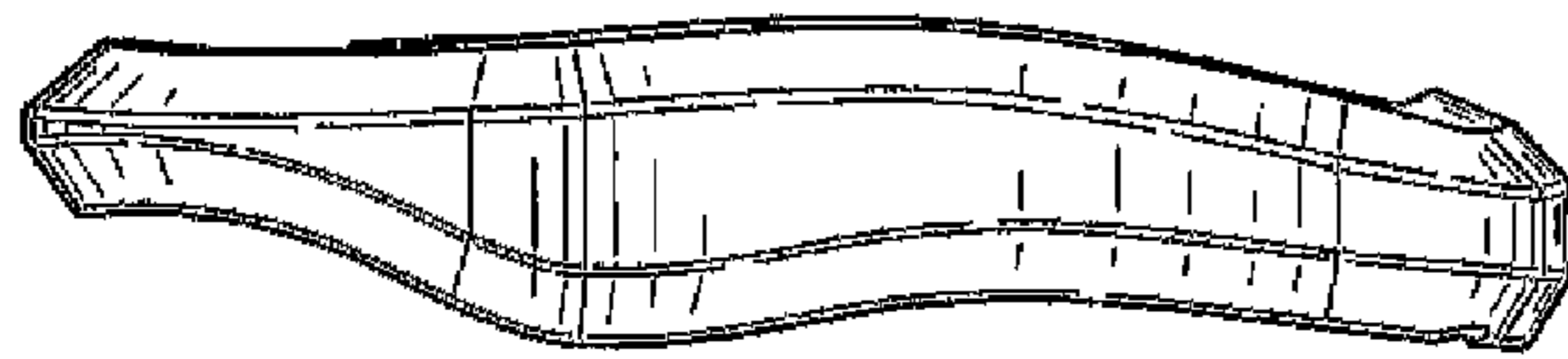


FIG. 4

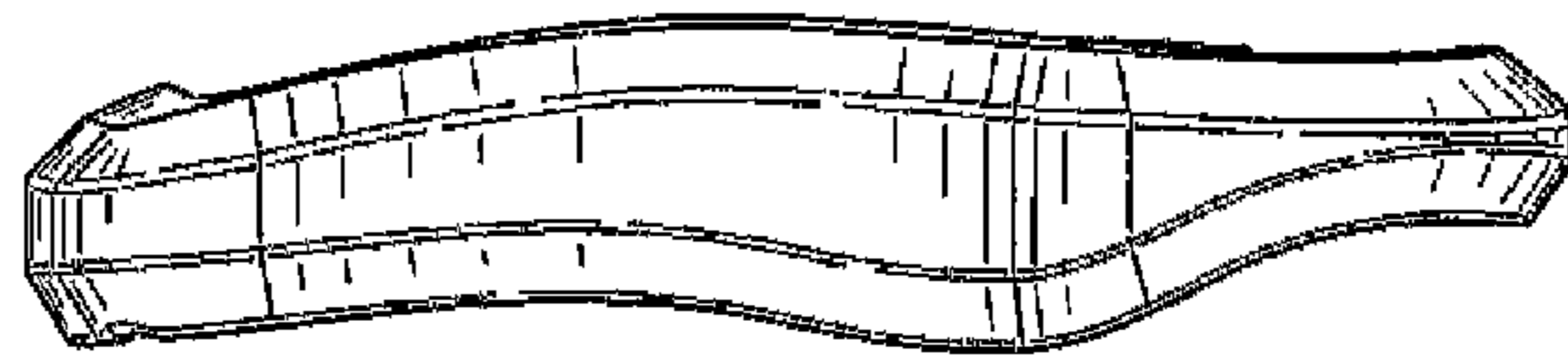


FIG. 5

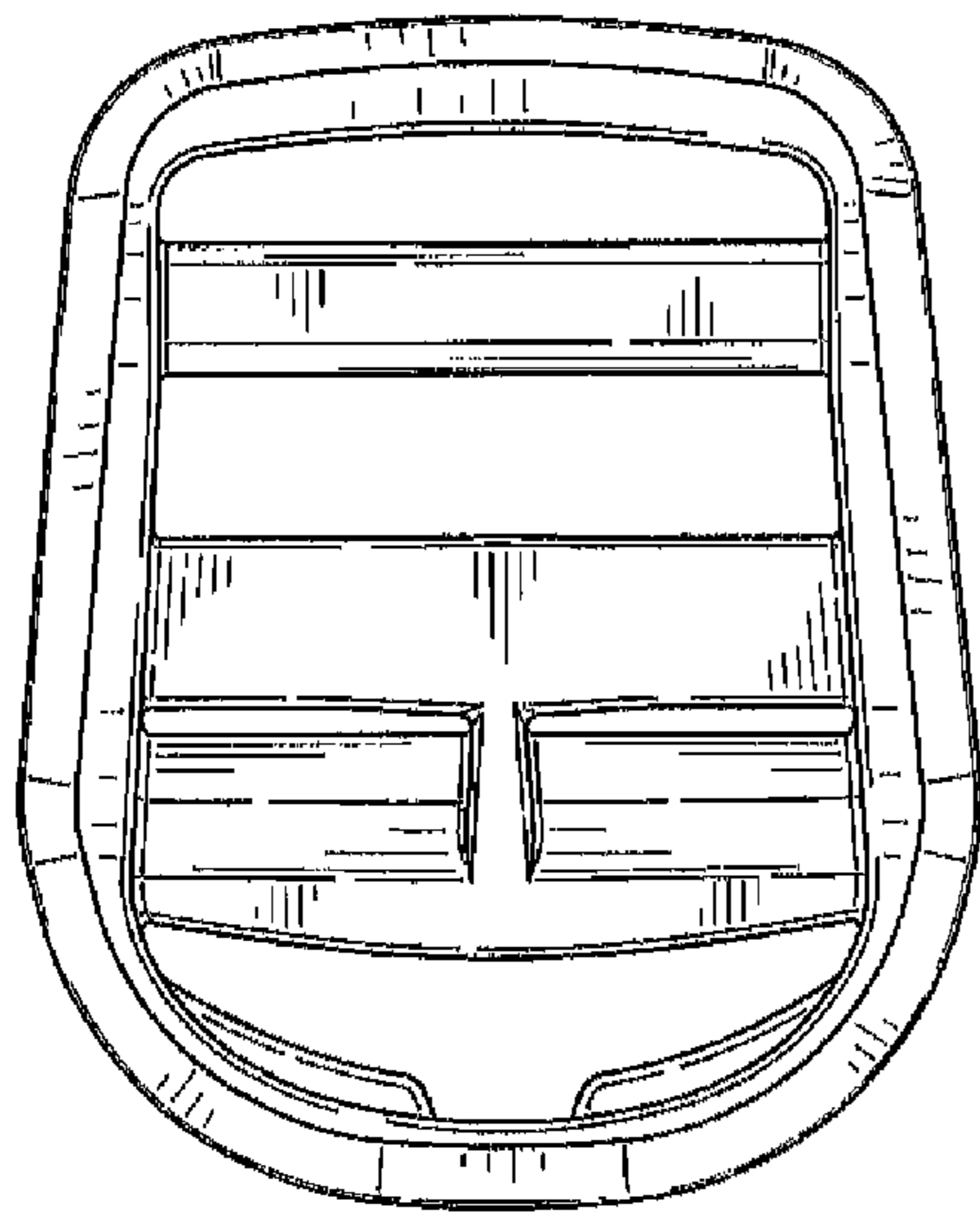


FIG. 6

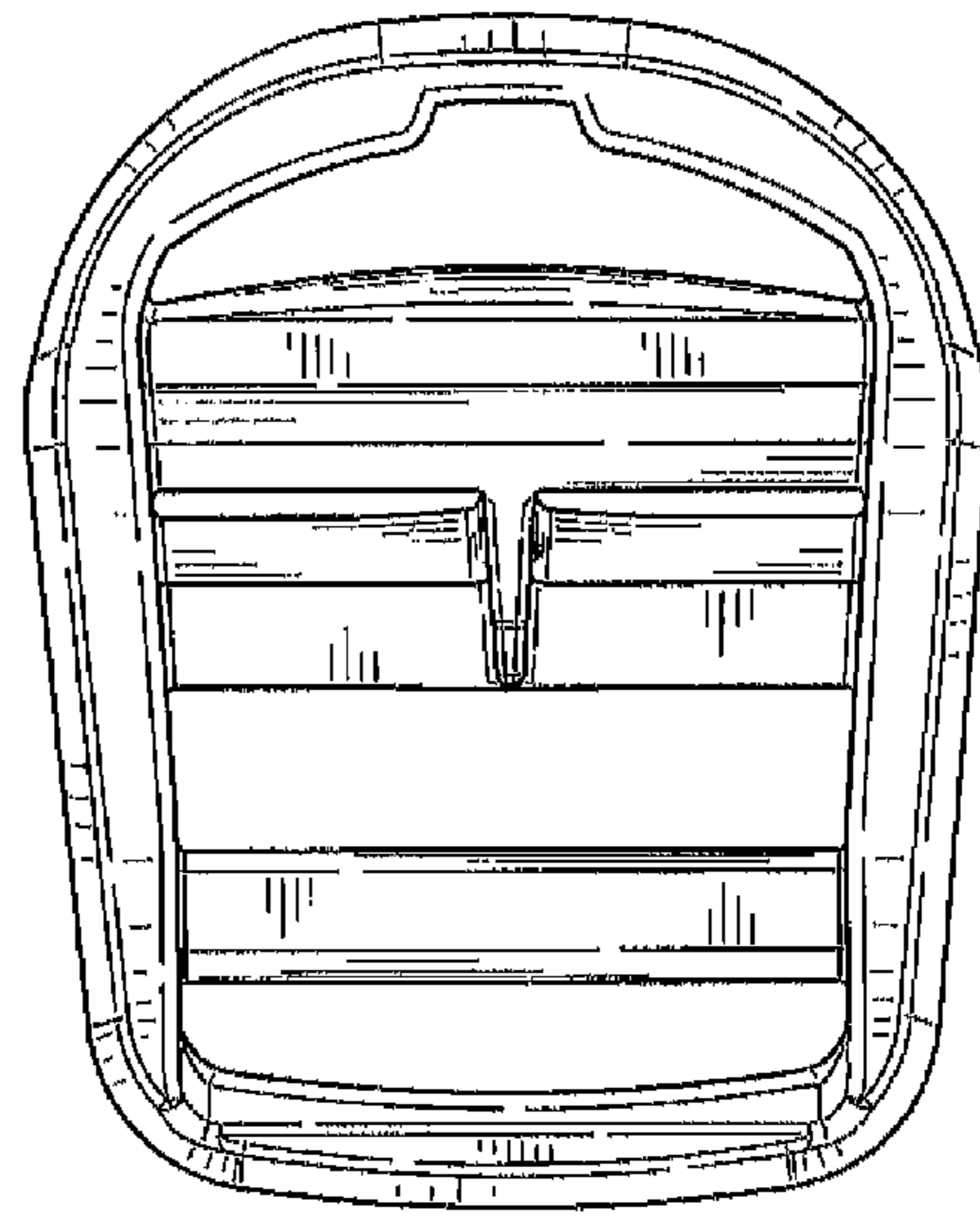


FIG. 7

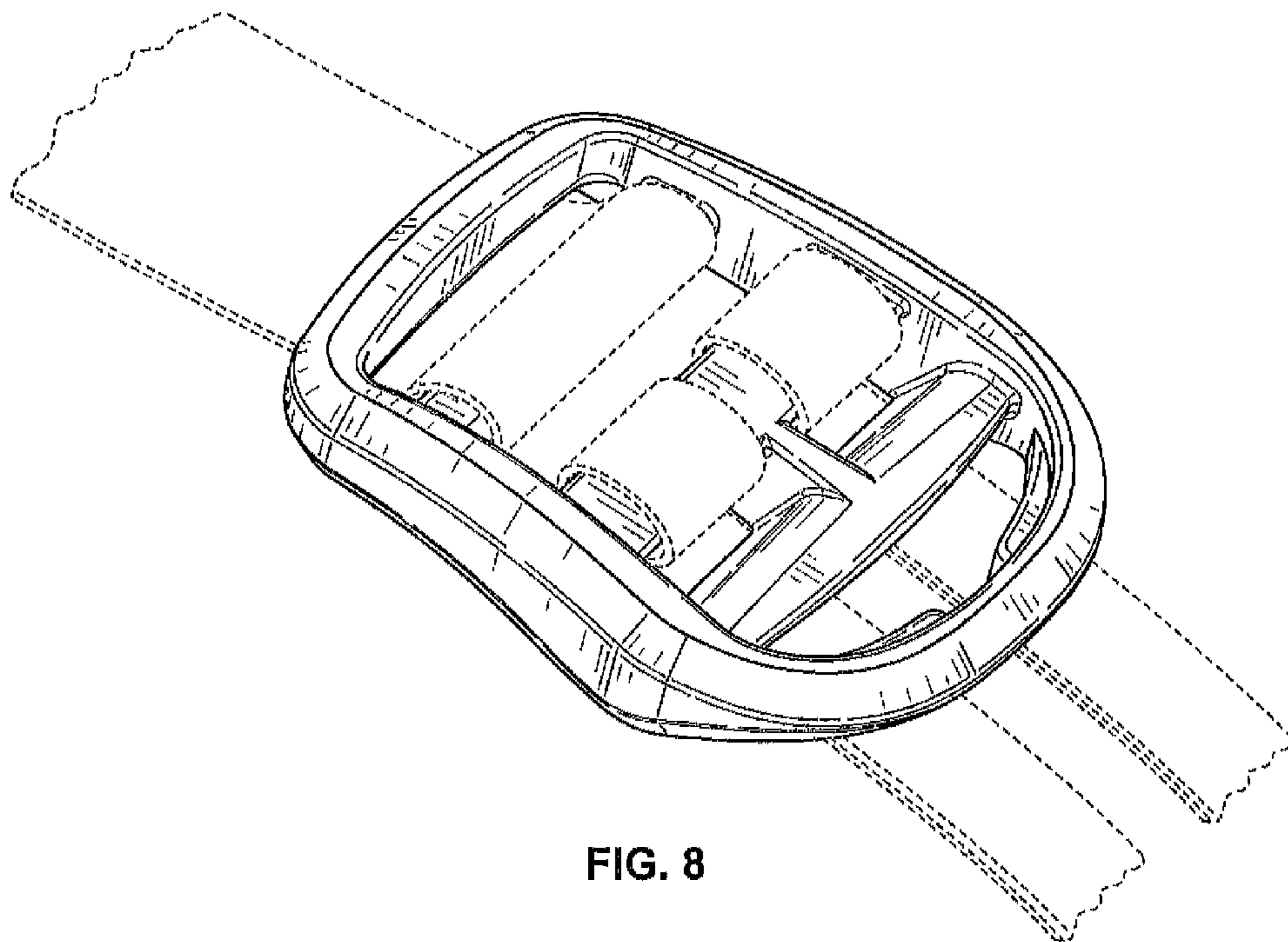


FIG. 8