

US00D668576S

(12) **United States Design Patent**
Outland

(10) **Patent No.:** **US D668,576 S**

(45) **Date of Patent:** **** Oct. 9, 2012**

(54) **WRIST BAND CHARM**

(75) Inventor: **Craig R. Outland**, Troy, MI (US)

(73) Assignee: **Roxo, LLC**, Birmingham, MI (US)

(**) Term: **14 Years**

(21) Appl. No.: **29/416,252**

(22) Filed: **Mar. 20, 2012**

Related U.S. Application Data

(63) Continuation of application No. 29/365,339, filed on Jul. 8, 2010, now Pat. No. Des. 656,056.

(51) **LOC (9) Cl.** **11-01**

(52) **U.S. Cl.** **D11/79; D11/1**

(58) **Field of Classification Search** D11/1-11,
D11/79-87; 63/12, 13, 14.1-14.8, 40, 1.17
See application file for complete search history.

(56) **References Cited**

U.S. PATENT DOCUMENTS

D56,246 S	9/1920	Alterson	
2,680,315 A	6/1954	McHugh et al.	
D349,468 S	8/1994	Souren	
D442,113 S	5/2001	Nisguretsky	
D463,308 S	9/2002	Skiles	
D497,566 S *	10/2004	Pucci	D11/4
D502,661 S	3/2005	Rapport	
D502,662 S	3/2005	Rapport	
D503,646 S	4/2005	Rapport	
D505,353 S	5/2005	Del Valle	
D547,227 S	7/2007	Del Valle	
D550,430 S	9/2007	Martin, Jr.	
D552,003 S	10/2007	Lecut	
D579,194 S *	10/2008	Caylor	D2/976
D591,633 S	5/2009	Del Valle	
D613,938 S *	4/2010	Alexander	D2/976
D615,445 S *	5/2010	Hardy	D11/26

D627,146 S *	11/2010	Kantor et al.	D2/976
D653,153 S *	1/2012	Froehlich	D11/89
D656,056 S *	3/2012	Outland	D11/79
D656,860 S *	4/2012	Fortescue	D11/89
2008/0250815 A1	10/2008	Wachler et al.	

OTHER PUBLICATIONS

www.kimbrastudios.com/gallery/Photo-Bracelets (date unknown),
Accessed Jan. 7, 2011.

www.italiancharms.com/cgi-bin/icharms/index2.html (date
unknown), Accessed Jan. 7, 2011.

* cited by examiner

Primary Examiner — Cathron Brooks

Assistant Examiner — Melanie Pellegrini

(74) *Attorney, Agent, or Firm* — McAndrews, Held & Malloy, Ltd.

(57) **CLAIM**

The ornamental design for a wrist band charm, as shown and described.

DESCRIPTION

FIG. 1 is a front right top perspective view of my new design for a wrist band charm;

FIG. 2 is a top plan view thereof;

FIG. 3 is a bottom plan view thereof;

FIG. 4 is front elevation view thereof;

FIG. 5 is a rear elevation view thereof;

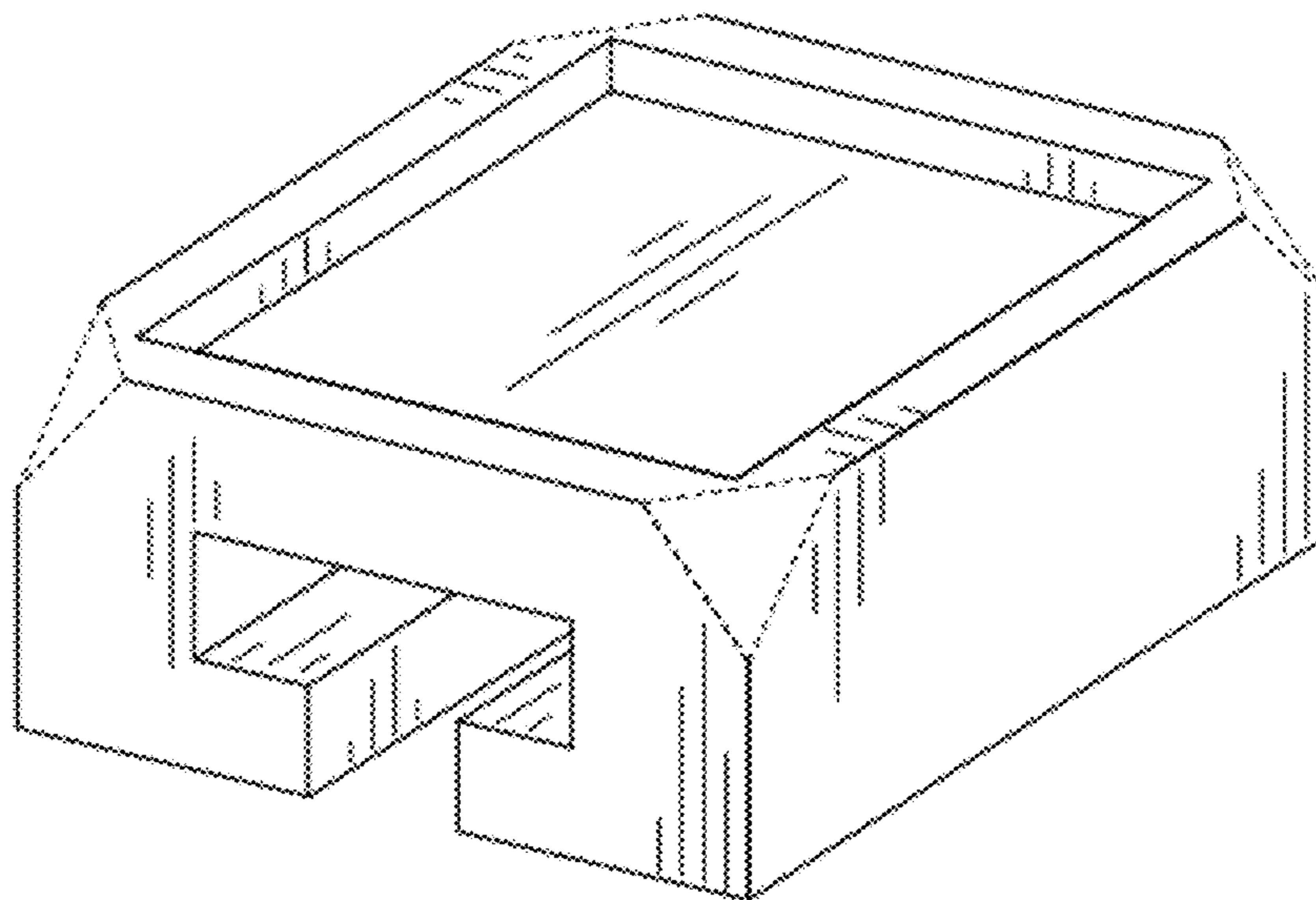
FIG. 6 is a right-side elevation view thereof;

FIG. 7 is a left-side elevation view thereof; and,

FIG. 8 is a rear left bottom perspective view thereof.

The broken lines in the drawings are included for the purpose of illustrating environmental subject matter and form no part of the claimed design.

1 Claim, 3 Drawing Sheets



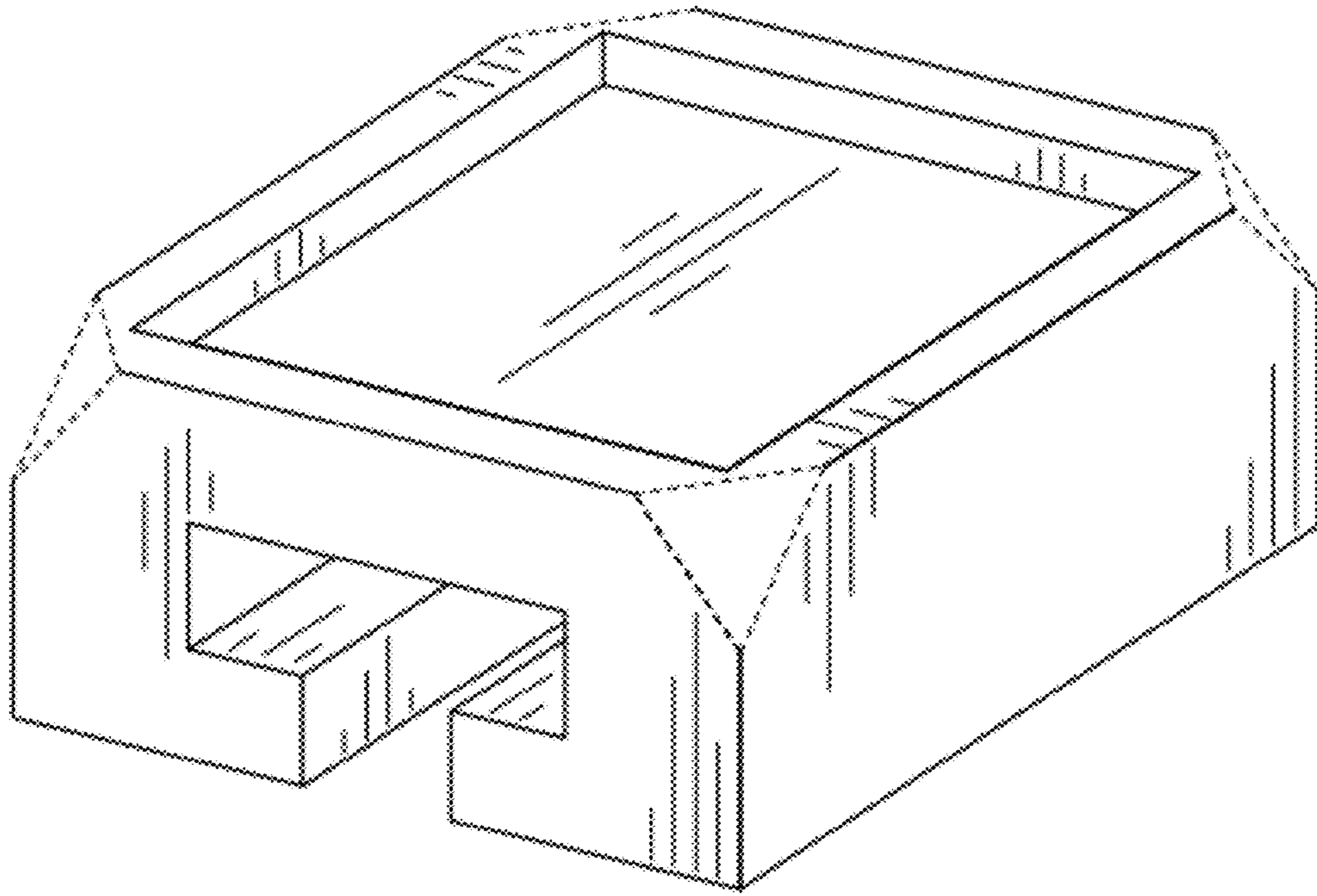


FIG. 1

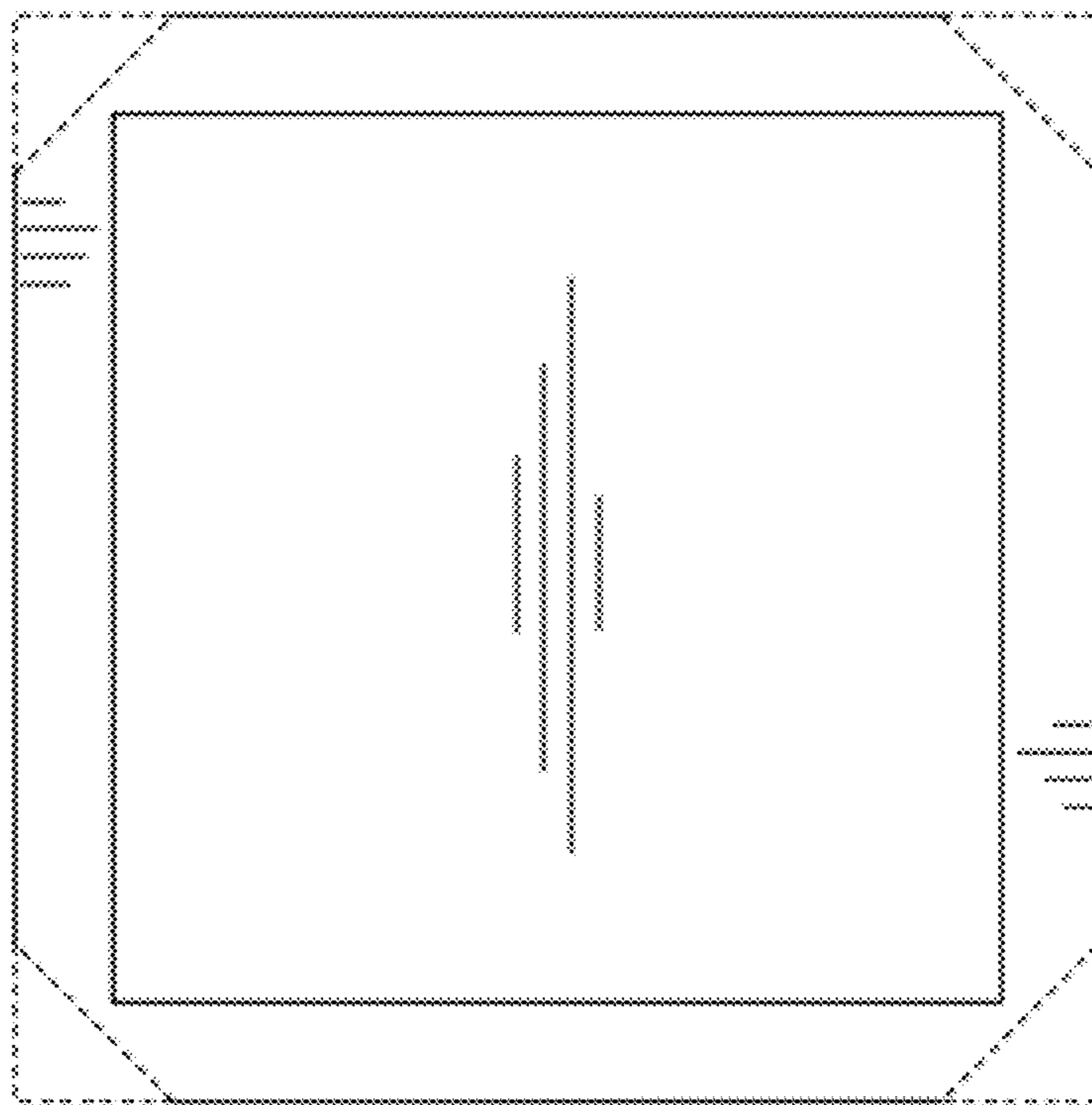


FIG. 2

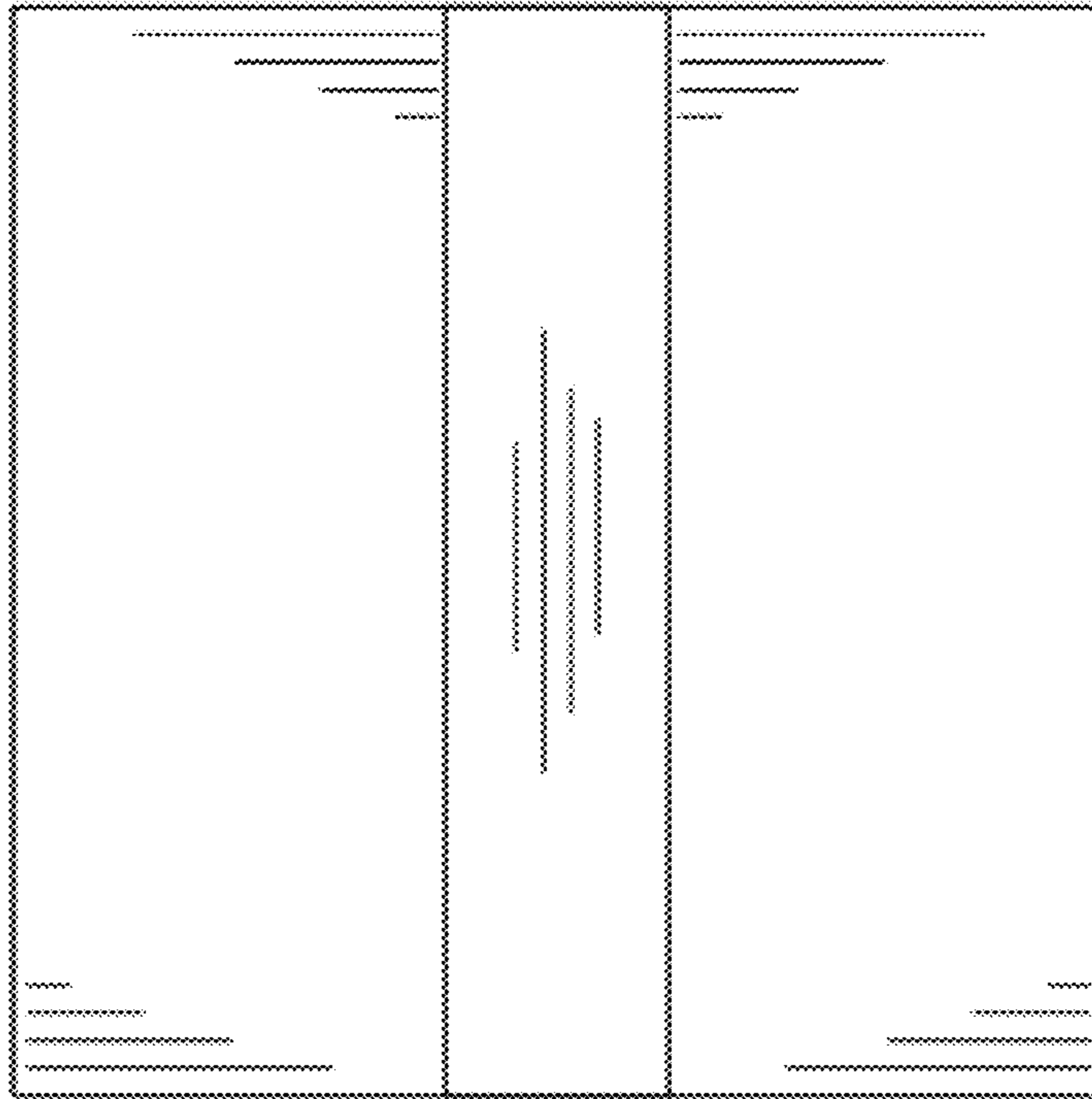


FIG. 3

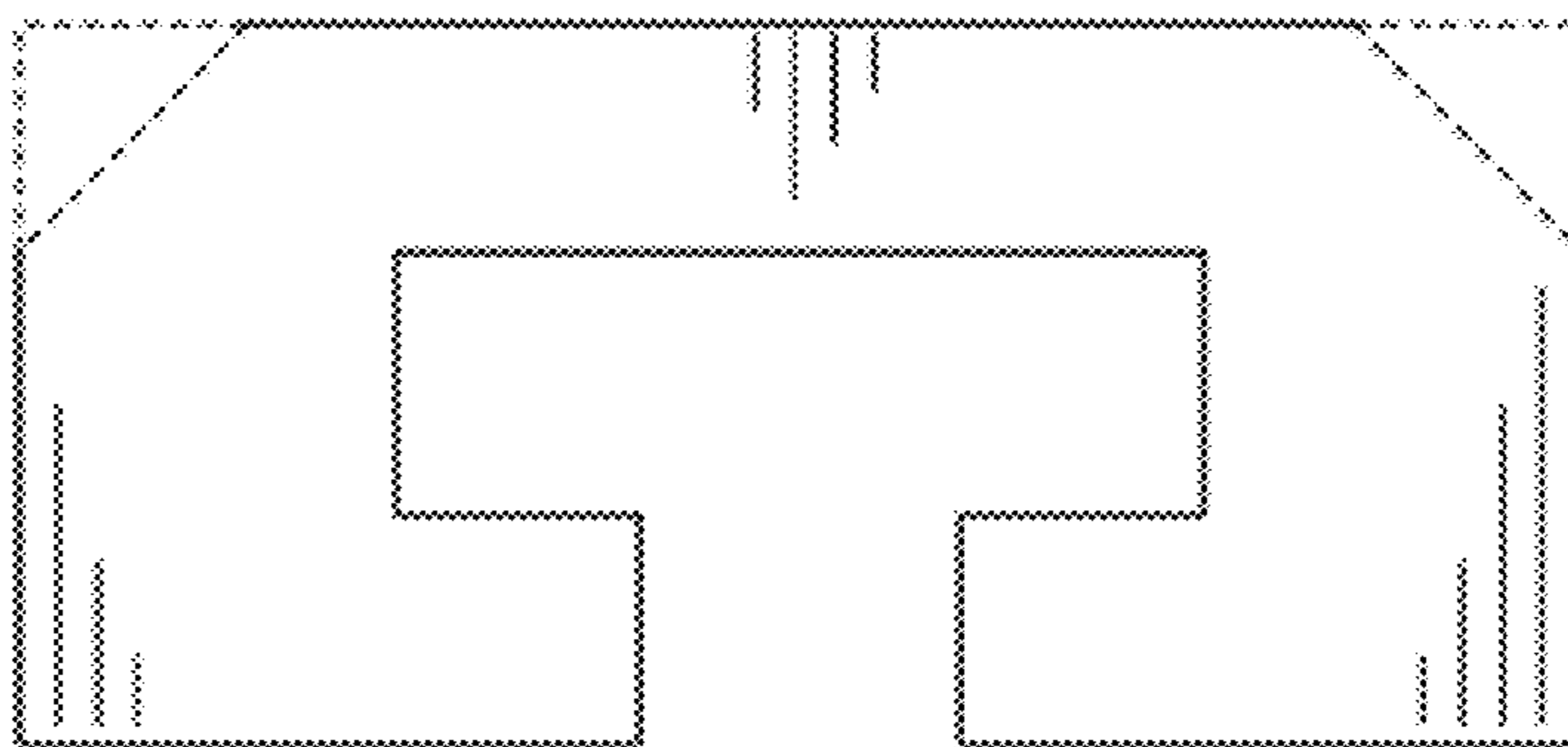


FIG. 4

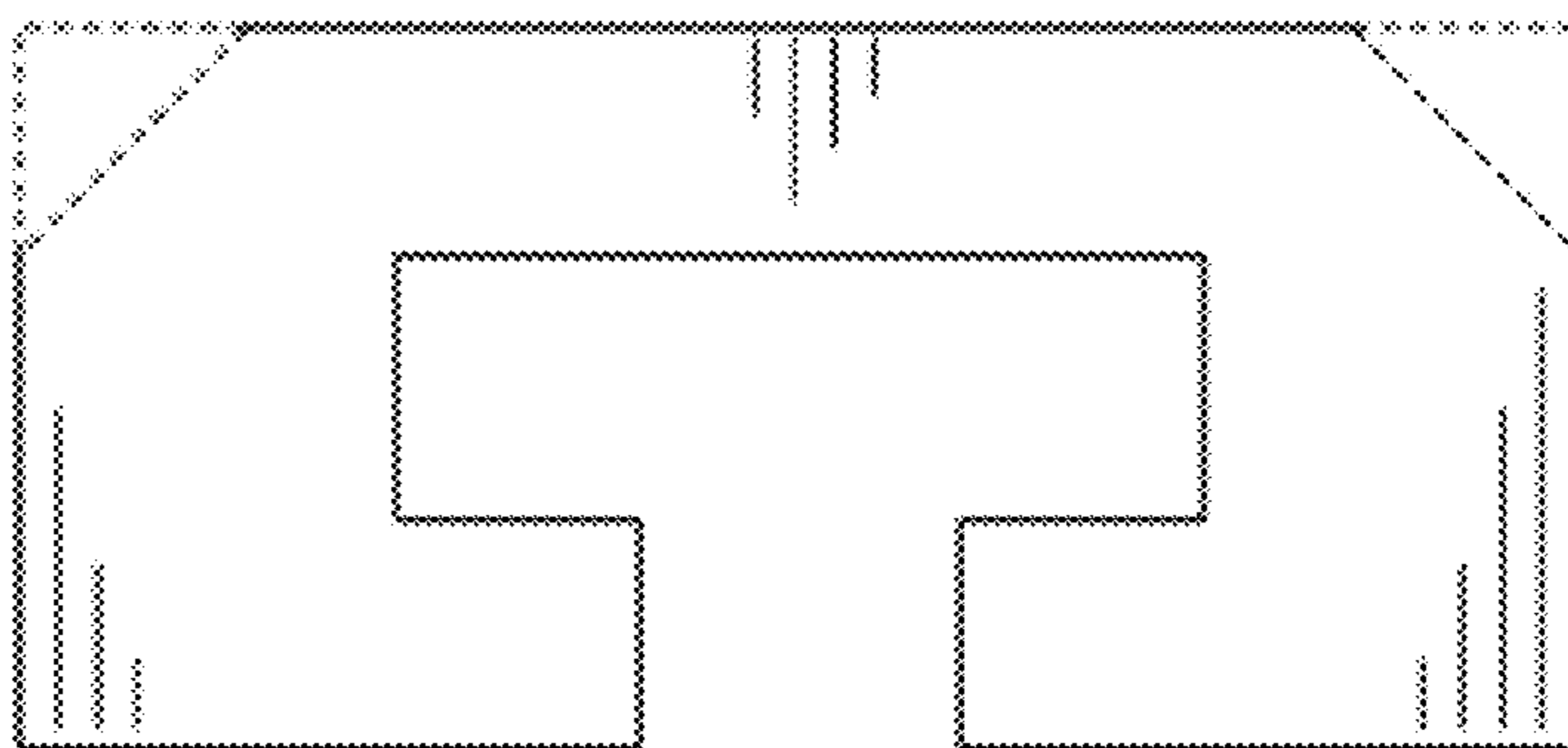


FIG. 5



FIG. 6

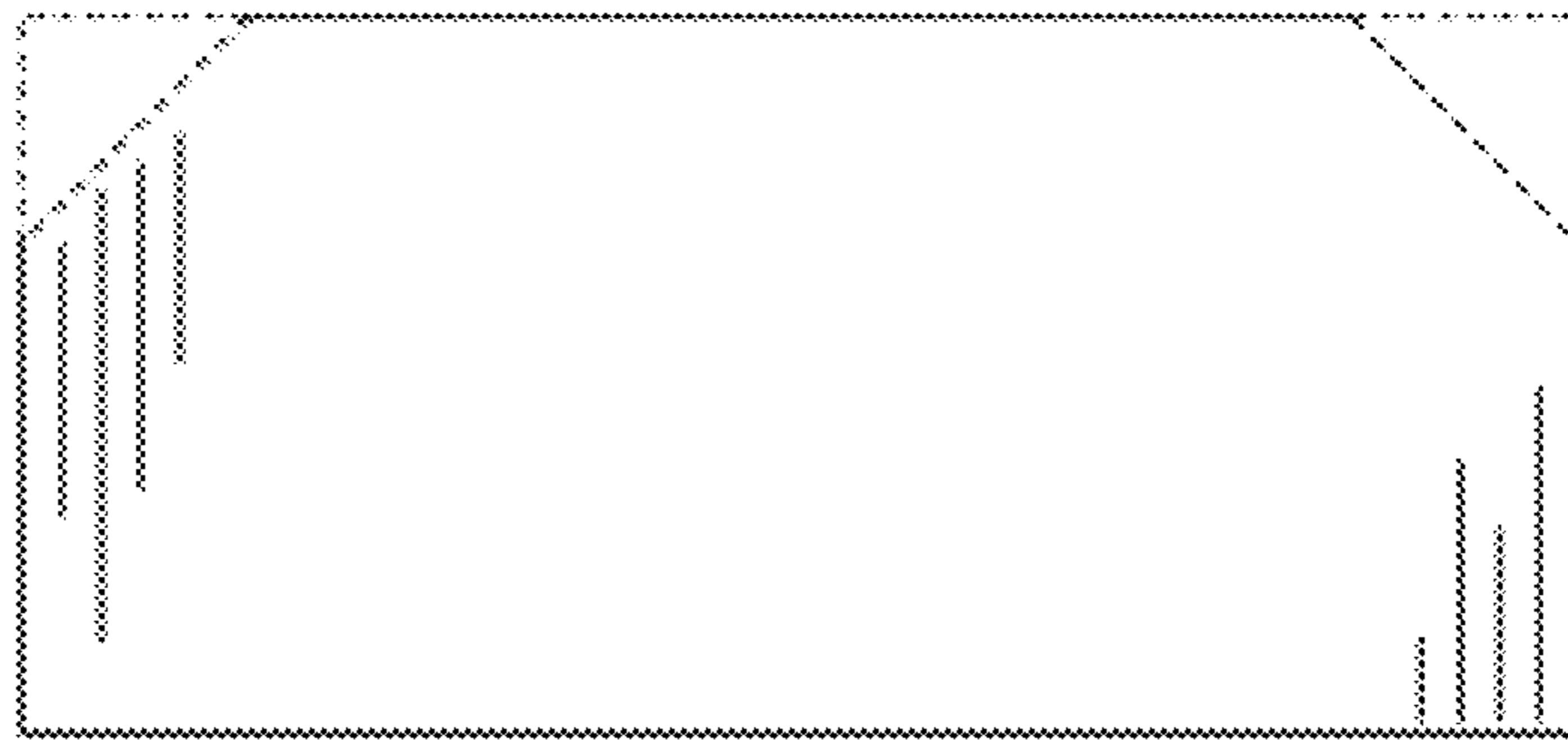


FIG. 7

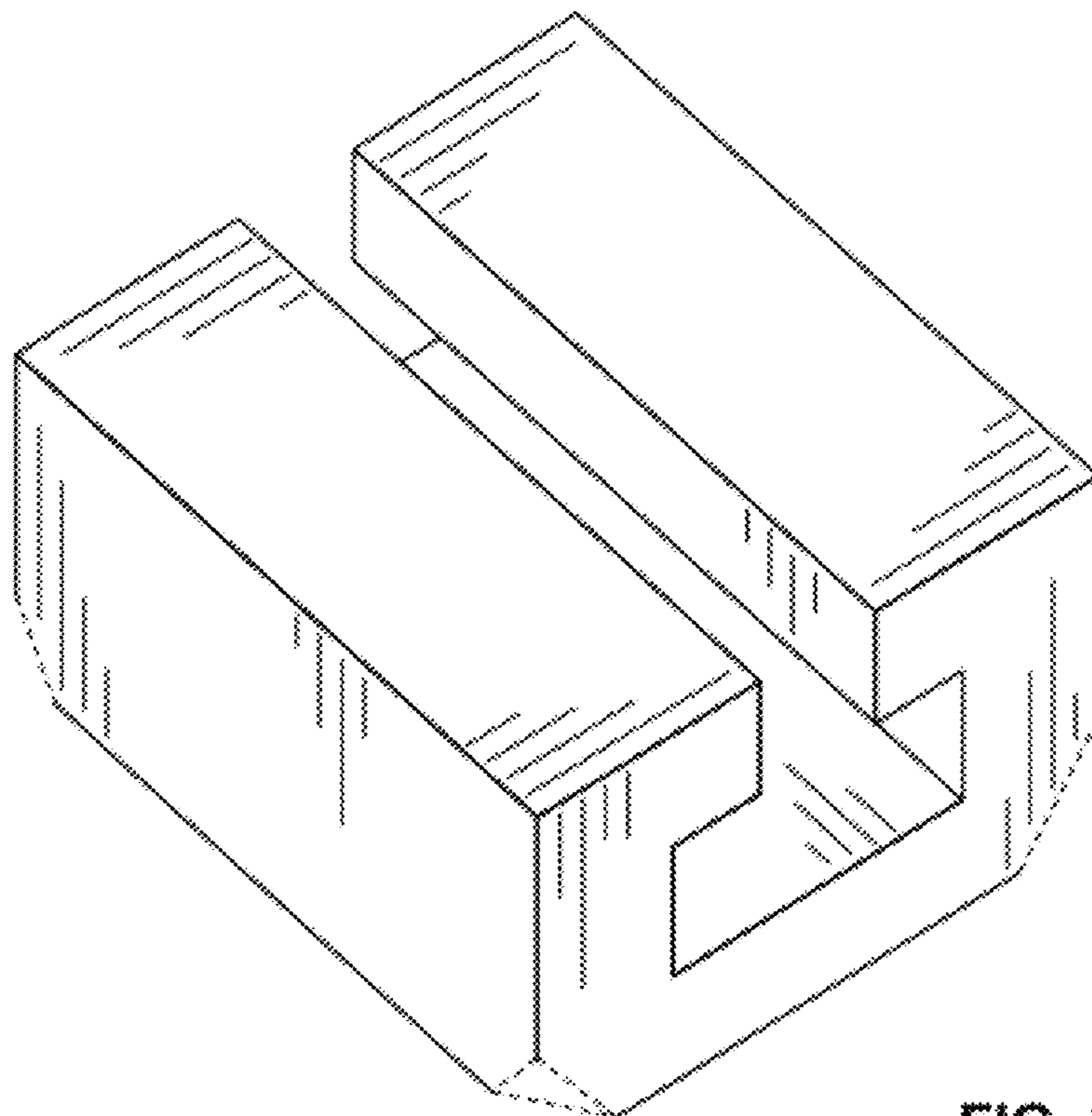


FIG. 8