



US00D668572S

(12) **United States Design Patent**  
**Farmanyan**

(10) **Patent No.:** **US D668,572 S**  
(45) **Date of Patent:** **\*\* Oct. 9, 2012**

- (54) **LIQUID LEVEL GAUGE**
- (75) Inventor: **Gagik Farmanyan**, Plano, TX (US)
- (73) Assignee: **Rochester Gauges, Inc.**, Dallas, TX (US)
- (\*\*) Term: **14 Years**
- (21) Appl. No.: **29/411,163**
- (22) Filed: **Jan. 17, 2012**
- (51) **LOC (9) Cl.** ..... **10-04**
- (52) **U.S. Cl.** ..... **D10/101**
- (58) **Field of Classification Search** ..... D10/101;  
73/1.73, 149, 290 V, 290 R, 293, 304 R, 304 C,  
73/305, 313, 314, 317, 865.9  
See application file for complete search history.

- D557,157 S 12/2007 Sitnikov
- D611,859 S 3/2010 Gismervik
- D611,860 S 3/2010 Gismervik
- D662,000 S \* 6/2012 Ross et al. .... D10/101
- D662,001 S \* 6/2012 Ross et al. .... D10/101

\* cited by examiner

*Primary Examiner* — Antoine D Davis  
(74) *Attorney, Agent, or Firm* — Alvin R. Wirthlin

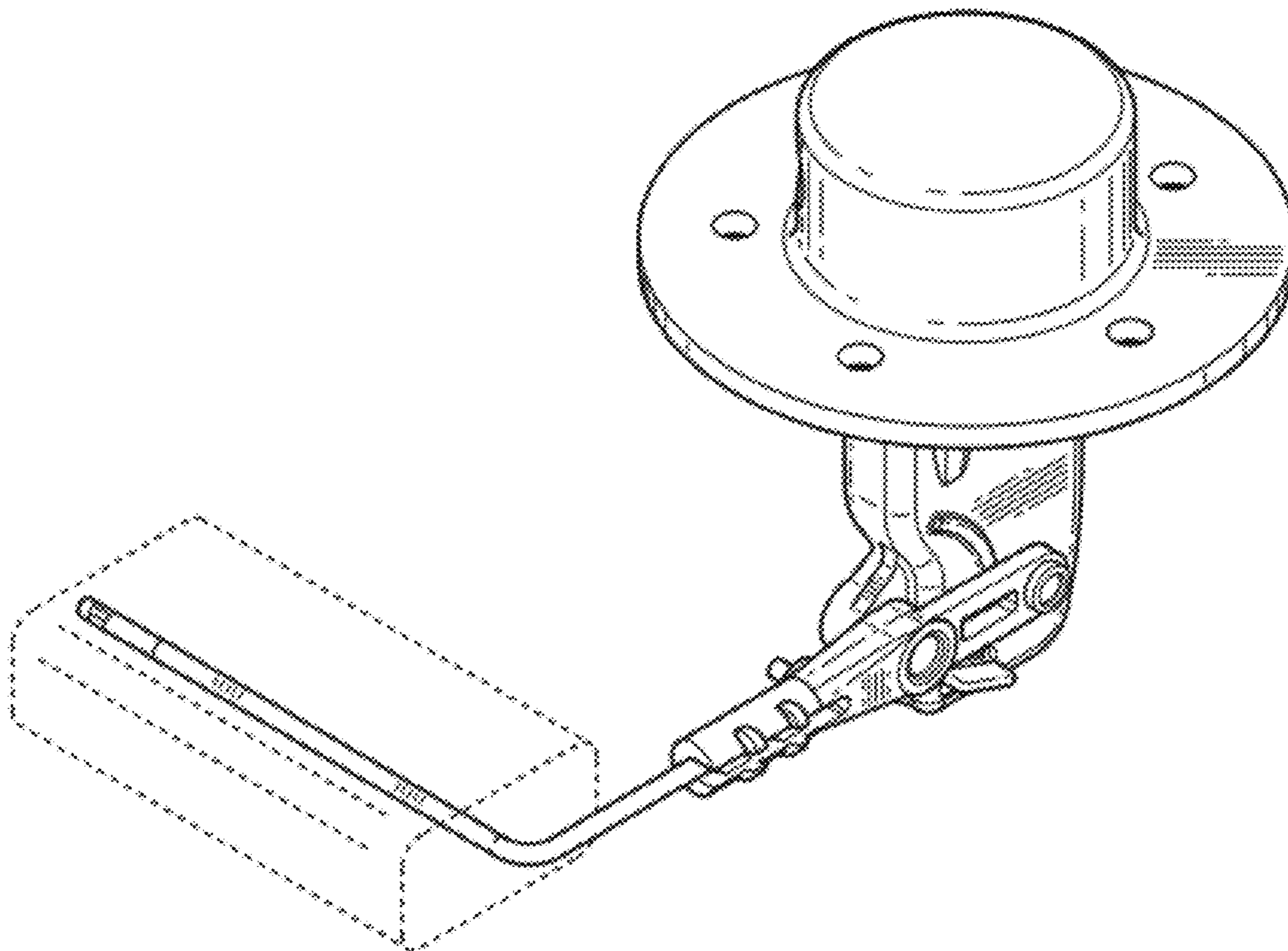
(57) **CLAIM**  
The ornamental design for a liquid level gauge, as shown and described.

**DESCRIPTION**

FIG. 1 is a right side isometric view of a liquid level gauge showing my new design;  
FIG. 2 is a left side isometric view thereof;  
FIG. 3 is a rear elevational view thereof;  
FIG. 4 is a front elevational view thereof;  
FIG. 5 is a right side elevational view thereof;  
FIG. 6 is a left side elevational view thereof;  
FIG. 7 is a top plan view thereof; and,  
FIG. 8 is a bottom plan view thereof.  
The broken lines shown on the drawings represent unclaimed portions of the design and form no part thereof.

- (56) **References Cited**
- U.S. PATENT DOCUMENTS
- 3,470,907 A 10/1969 Shockey
- 4,641,122 A 2/1987 Hennequin
- 4,972,875 A 11/1990 Beer et al.
- RE34,679 E 8/1994 Ritzenthaler et al.
- 5,762,049 A 6/1998 Jones et al.
- D419,091 S 1/2000 Pattison et al.

**1 Claim, 6 Drawing Sheets**



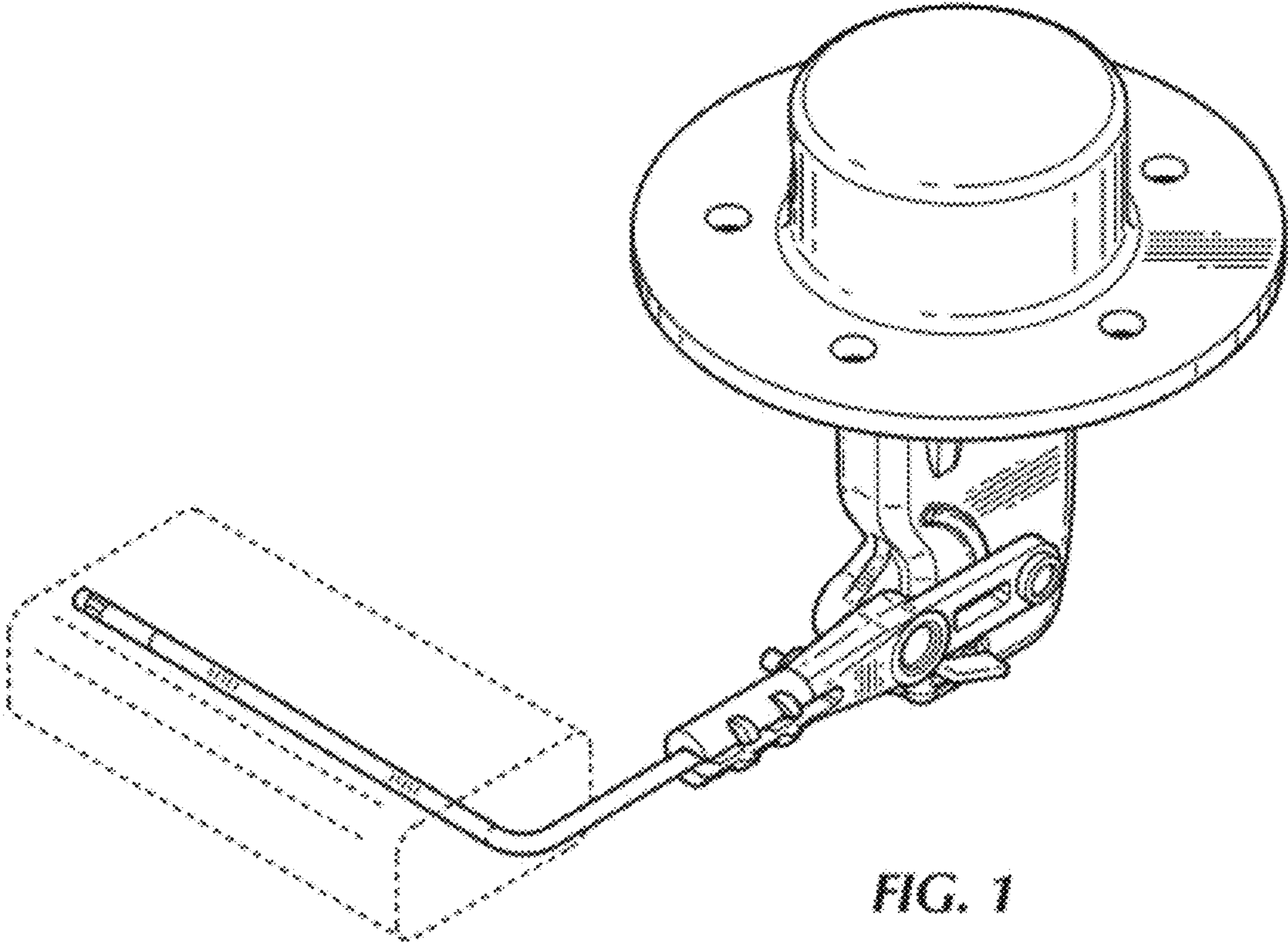


FIG. 1

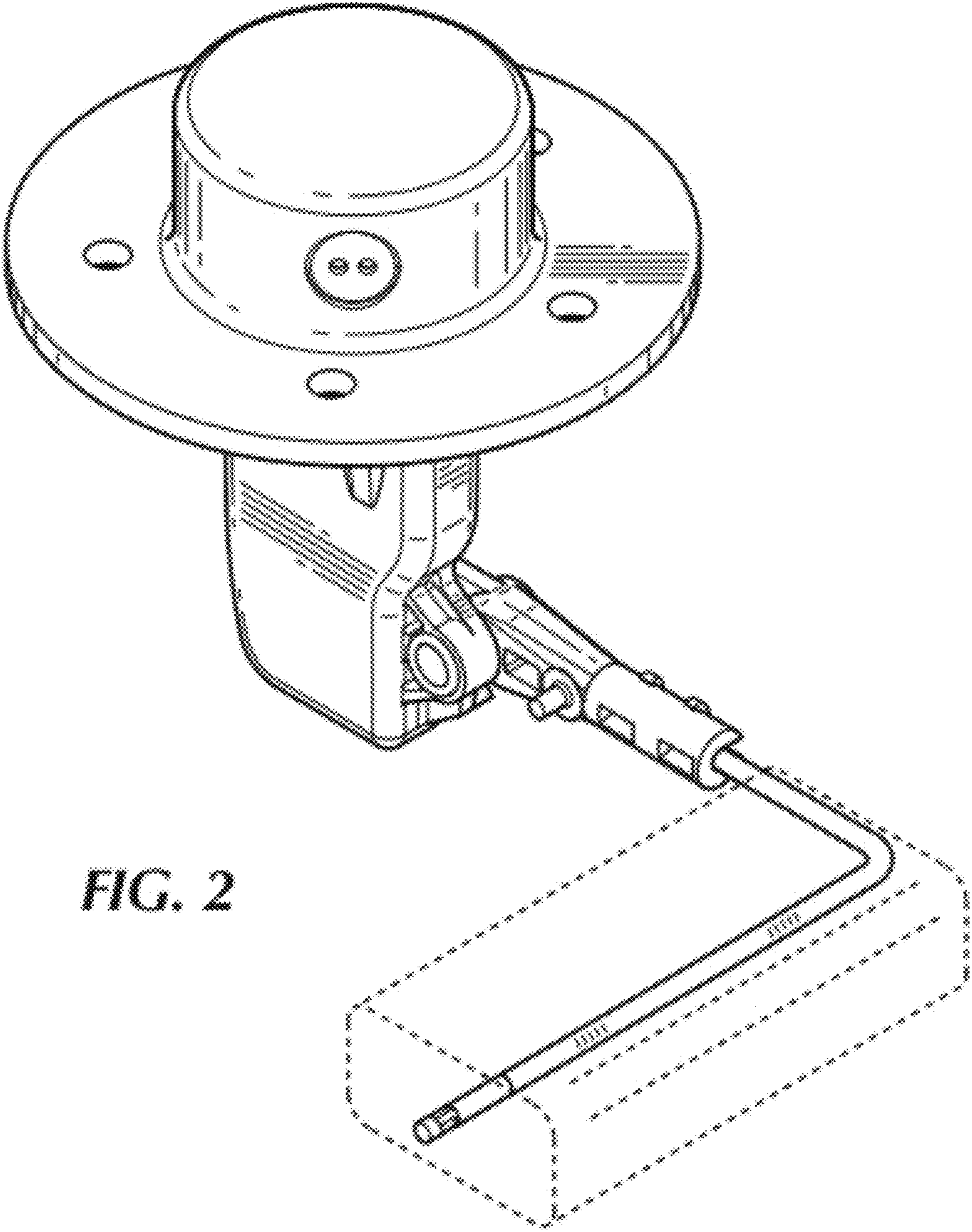


FIG. 2



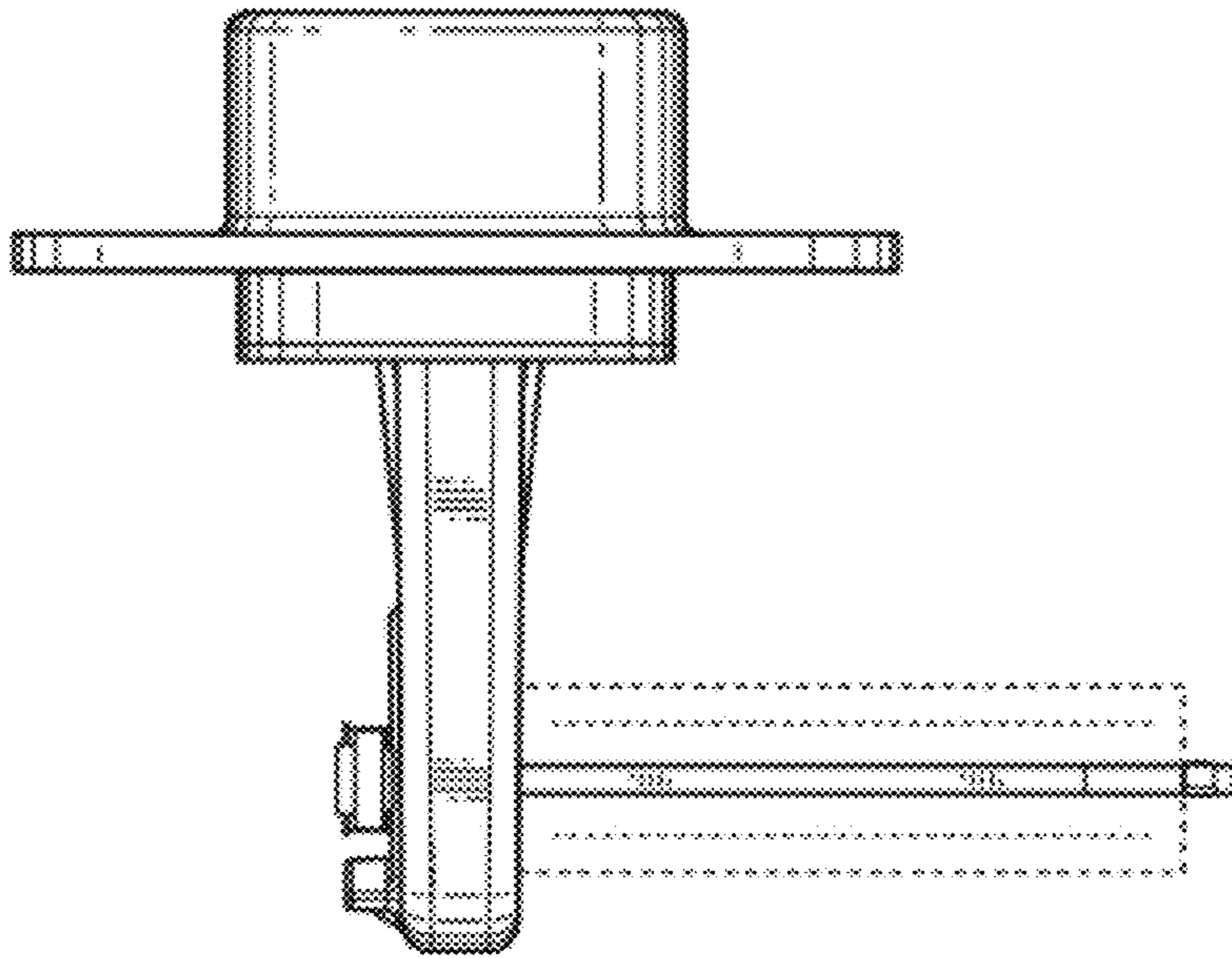


FIG. 3

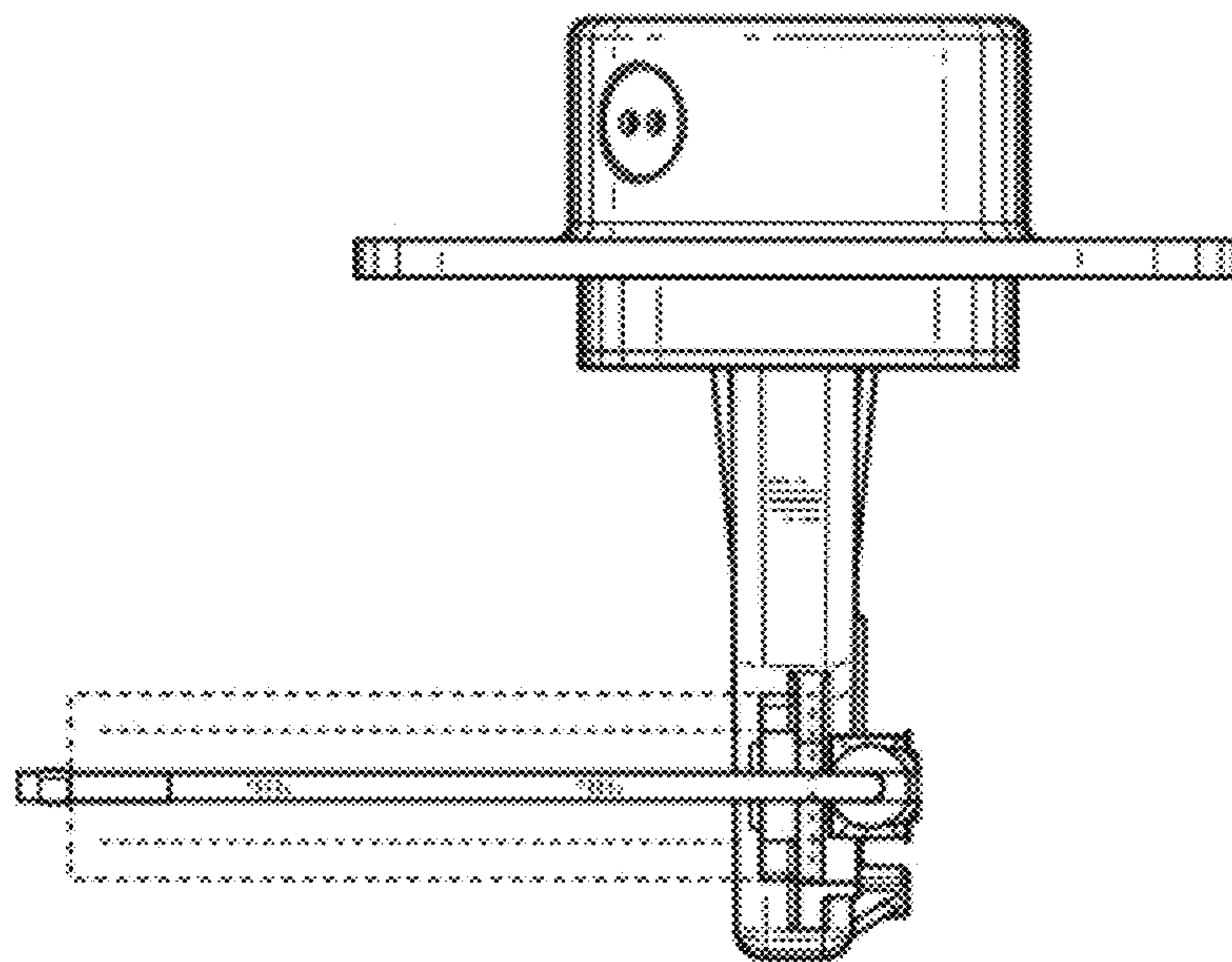


FIG. 4

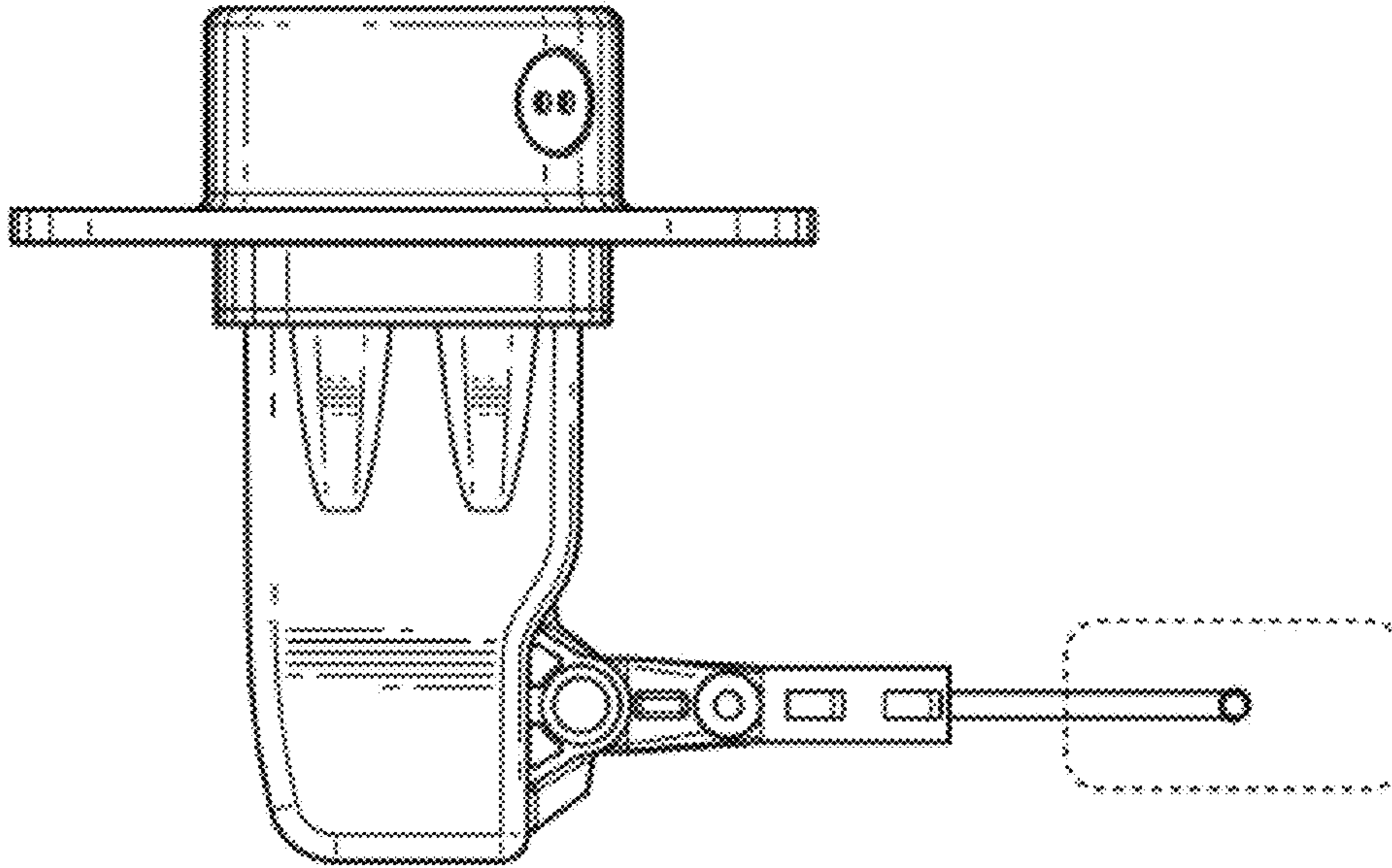


FIG. 5

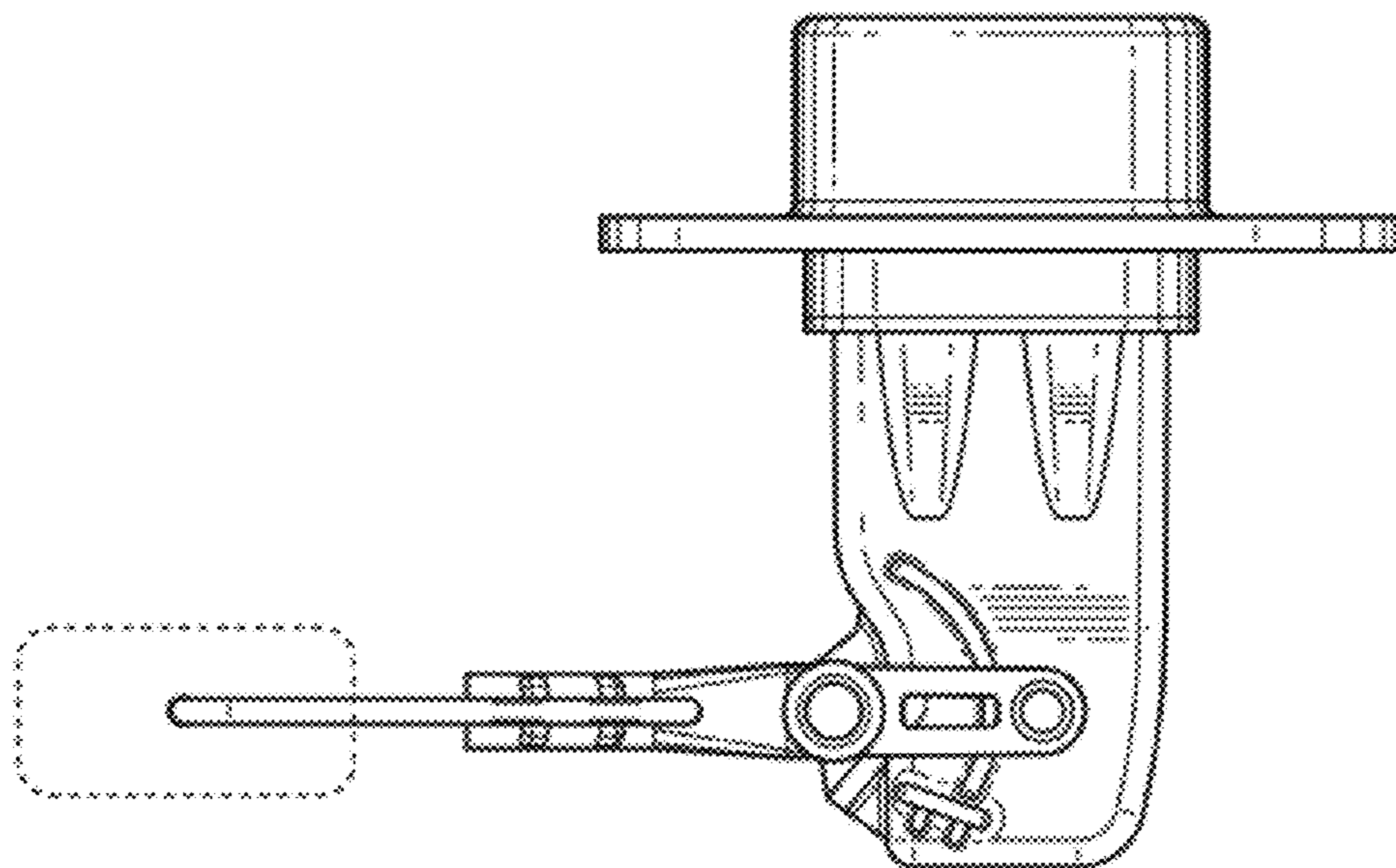


FIG. 6

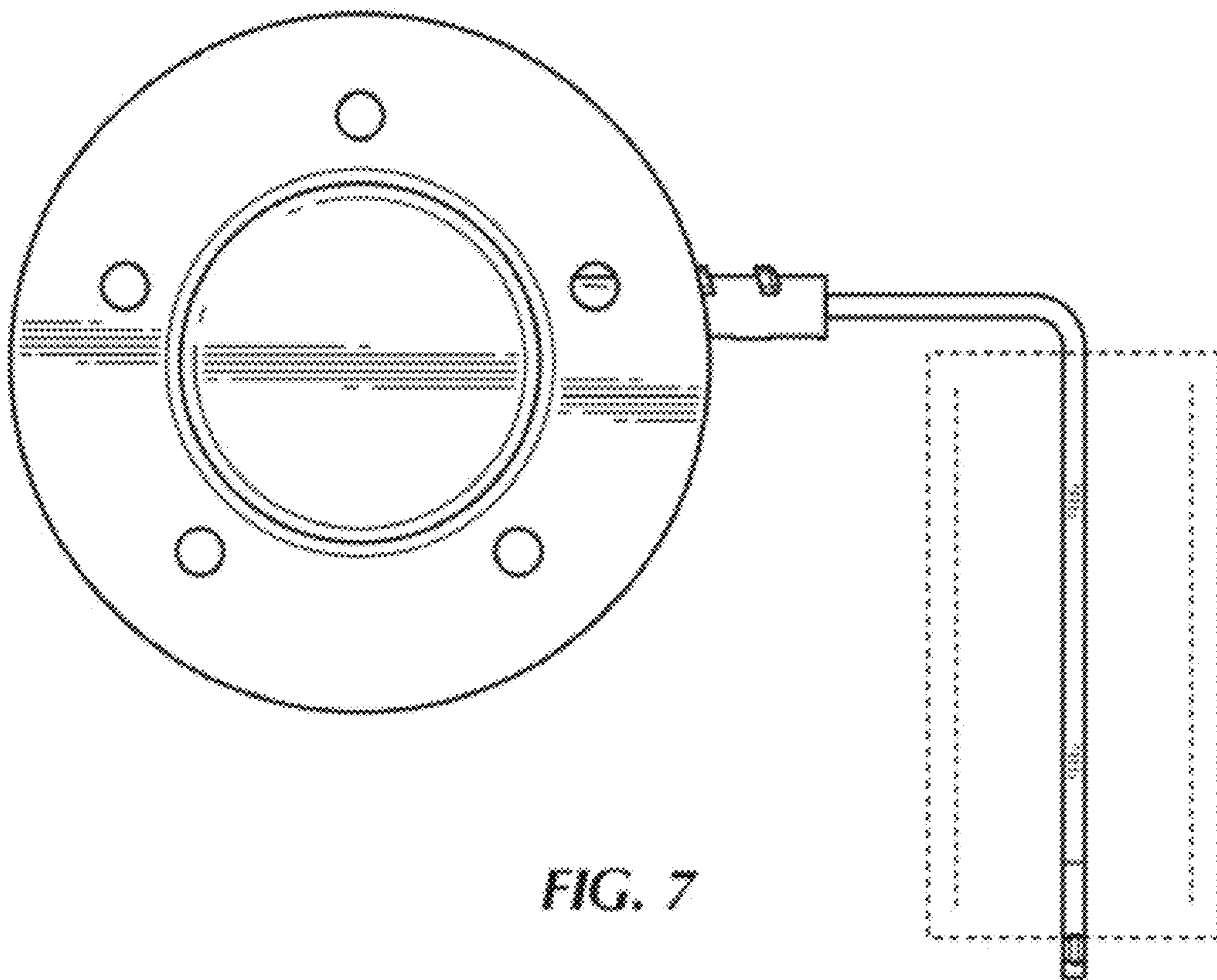


FIG. 7

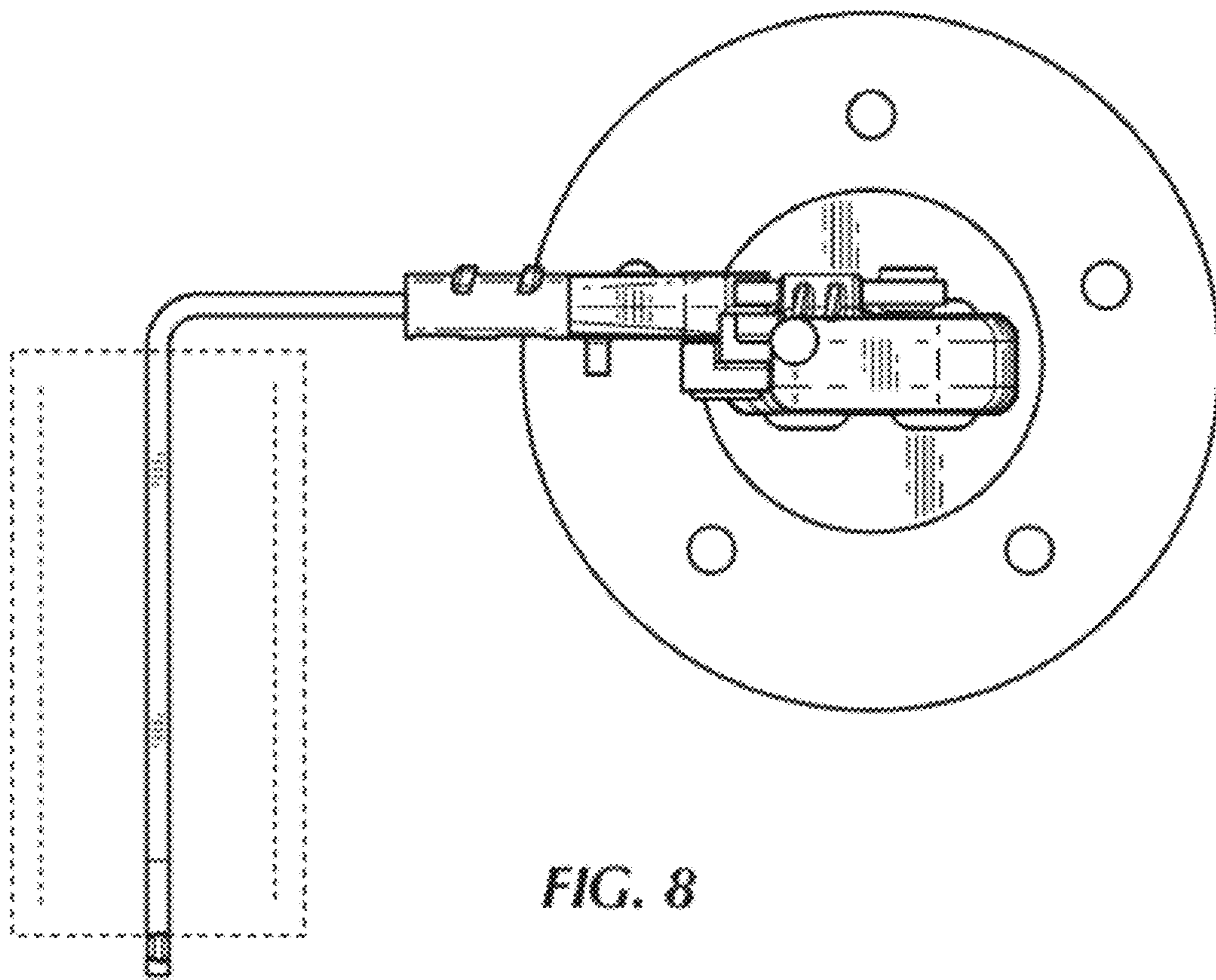


FIG. 8