

US00D668571S

(12) **United States Design Patent**
Fragello

(10) **Patent No.:** **US D668,571 S**

(45) **Date of Patent:** **** Oct. 9, 2012**

(54) **SLIM-LINE TACHOMETER**

(74) *Attorney, Agent, or Firm* — Richard K Thomson

(76) Inventor: **Frank Fragello**, West Newton, PA (US)

(57) **CLAIM**

The ornamental design for slim-line tachometer, as shown and described.

(**) Term: **14 Years**

DESCRIPTION

(21) Appl. No.: **29/373,842**

(22) Filed: **May 27, 2011**

(51) **LOC (9) Cl.** **10-04**

(52) **U.S. Cl.** **D10/98**

(58) **Field of Classification Search** D10/98;
116/62.1, 334; 324/160, 161, 166-169, 174,
324/262

See application file for complete search history.

FIG. 1 is a front perspective view of the slim-line tachometer of the present invention;

FIG. 2 is a bottom perspective view of the slim-line tachometer of the present invention;

FIG. 3 is a rear perspective of the slim-line tachometer of the present invention;

FIG. 4 is a top view of the slim-line tachometer of the present invention;

FIG. 5 is a bottom view of slim-line tachometer support of the present invention;

FIG. 6 is a view of the left side of the slim-line tachometer of the present invention; and,

FIG. 7 is a view of the right side of the slim-line tachometer of the present invention.

(56) **References Cited**

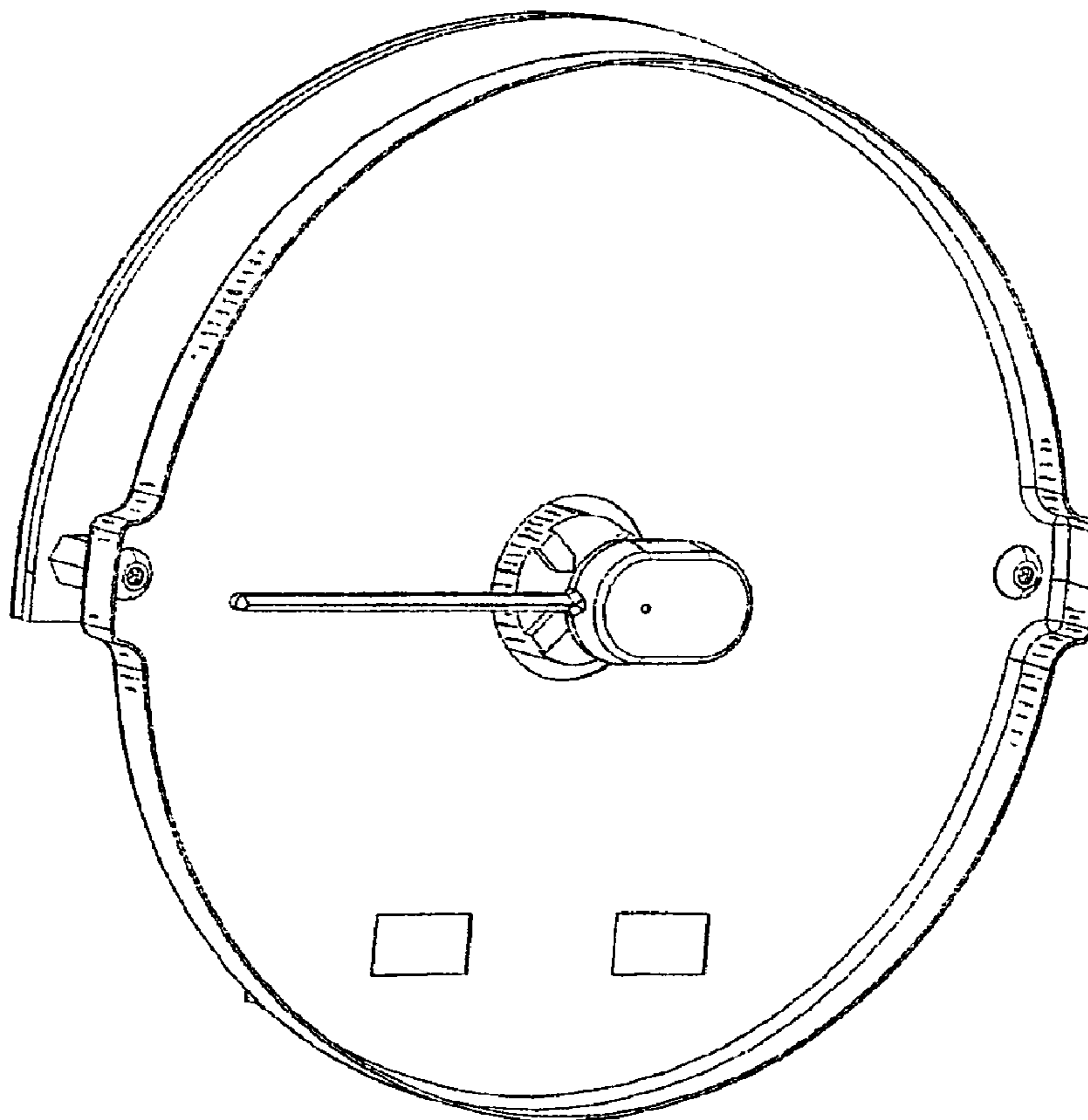
U.S. PATENT DOCUMENTS

D580,289 S * 11/2008 Bochmann et al. D10/98

* cited by examiner

Primary Examiner — Antoine D. Davis

1 Claim, 7 Drawing Sheets



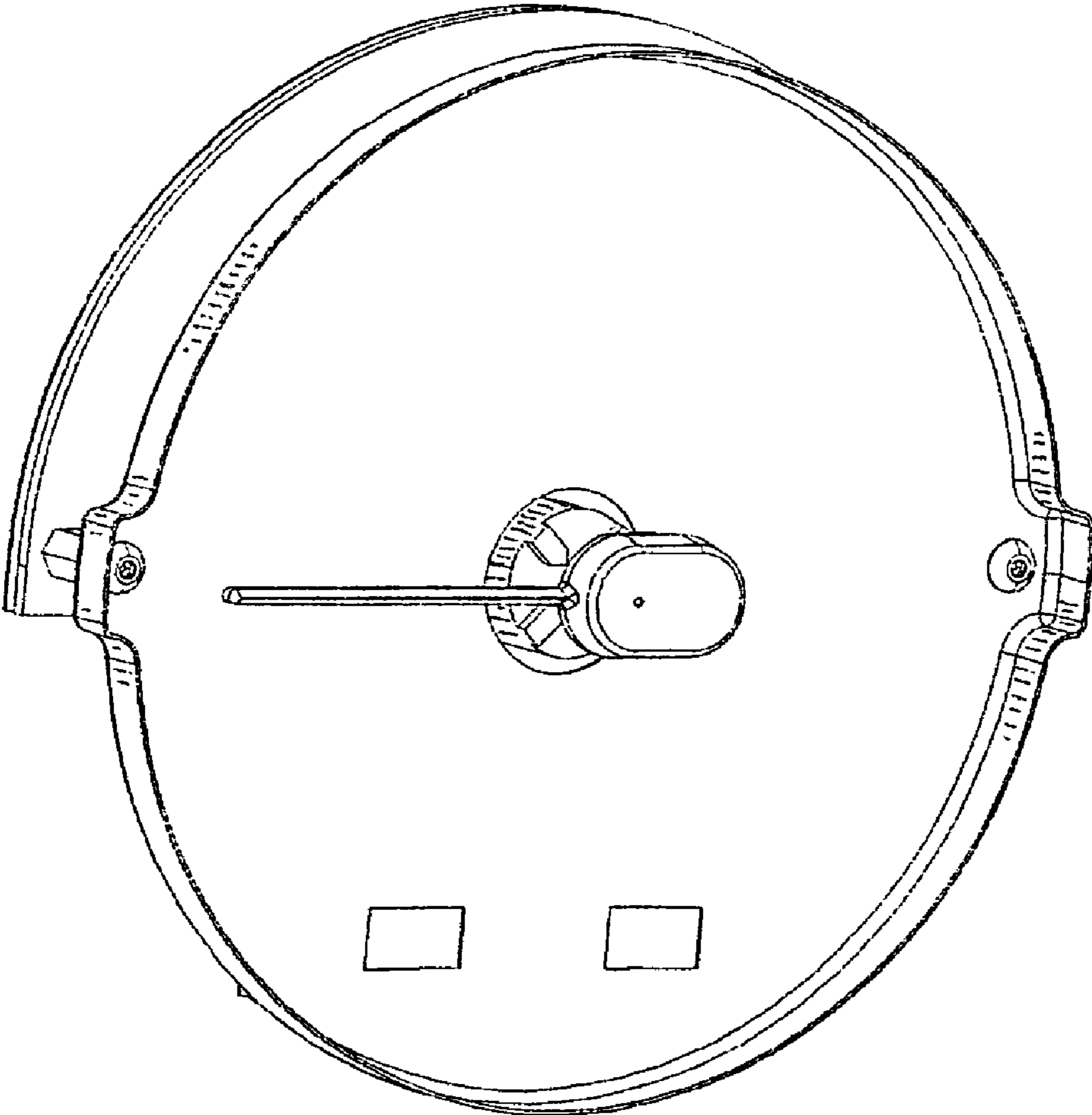


FIG. 1

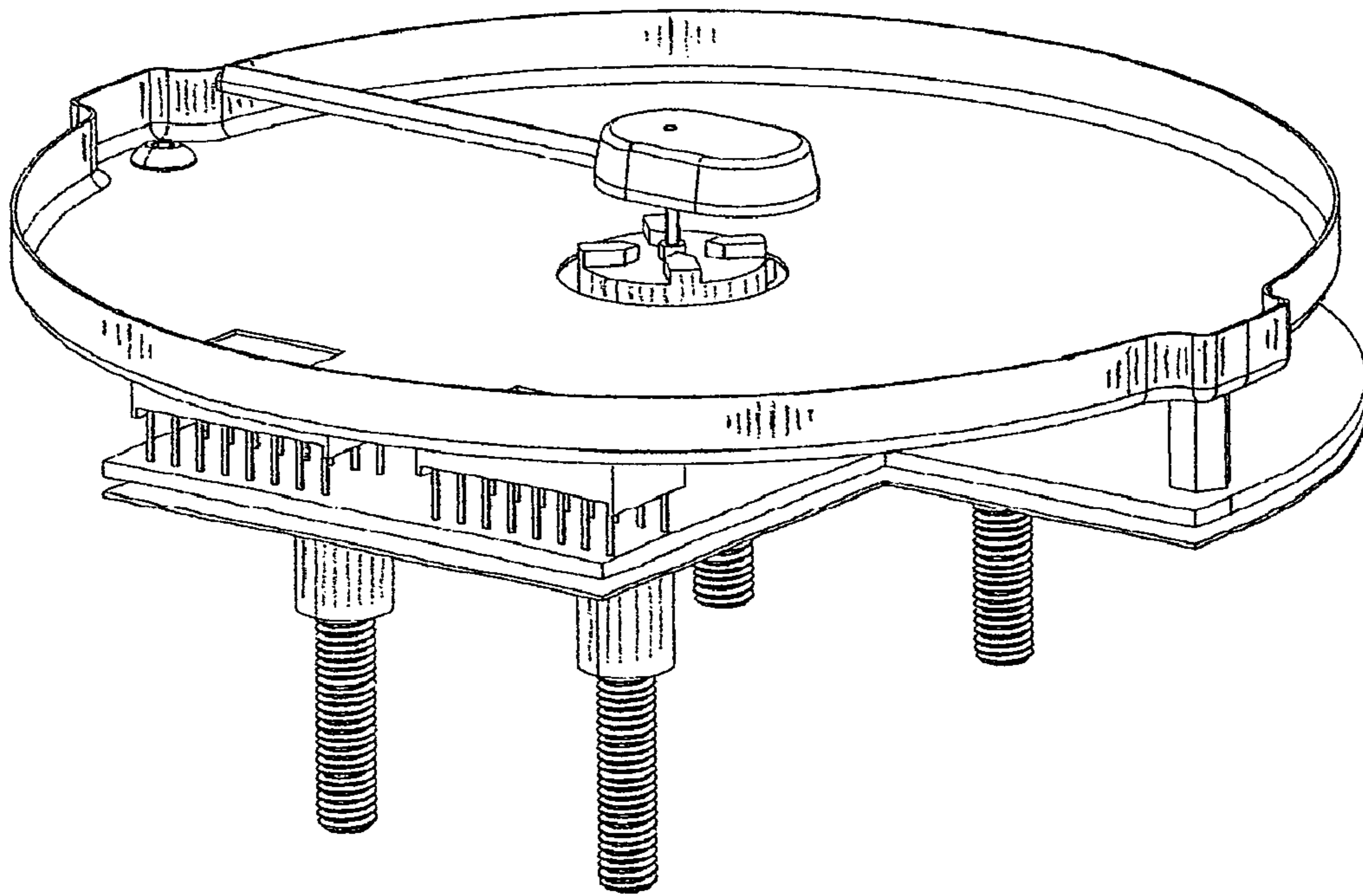


FIG. 2

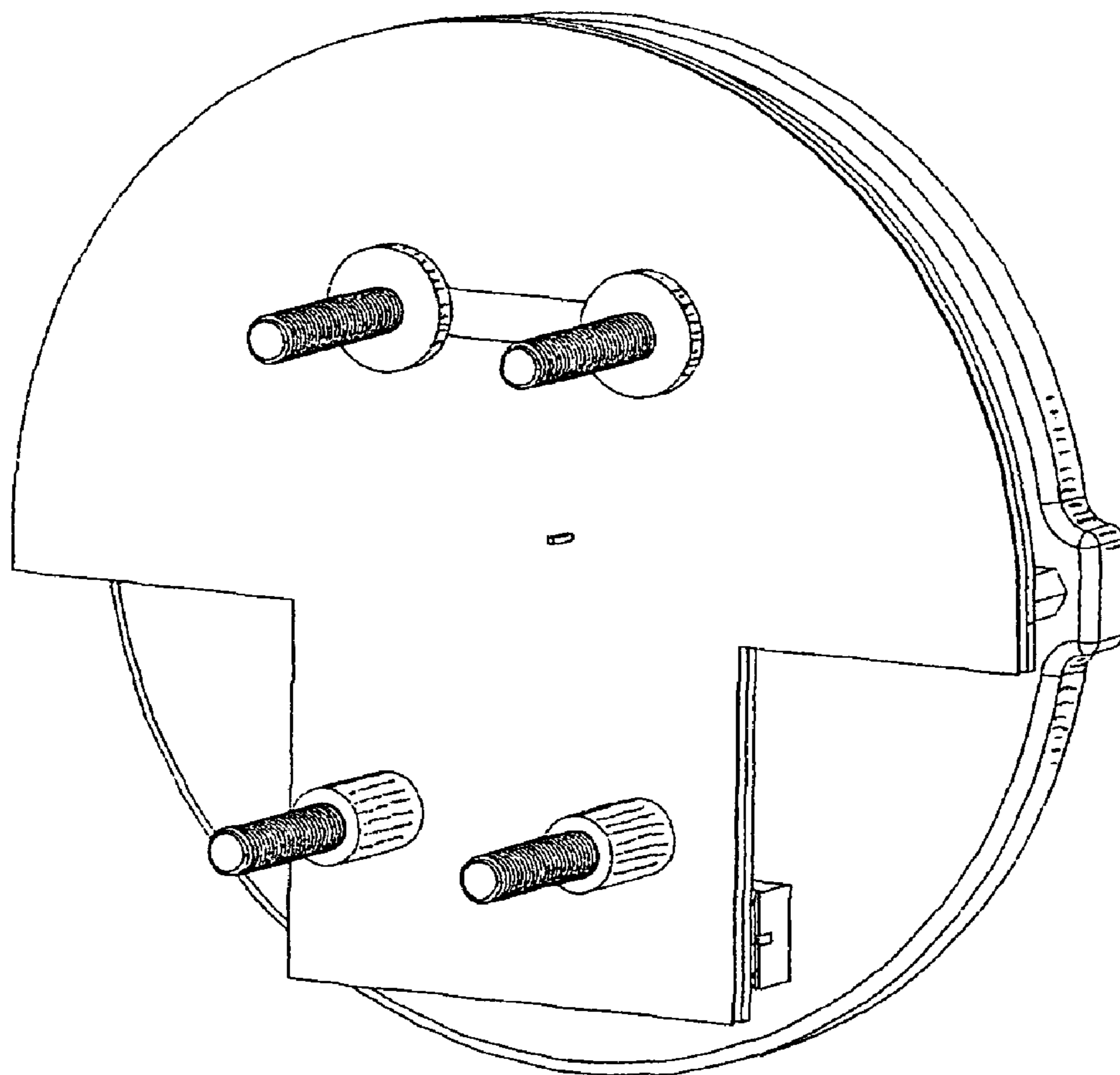


FIG. 3

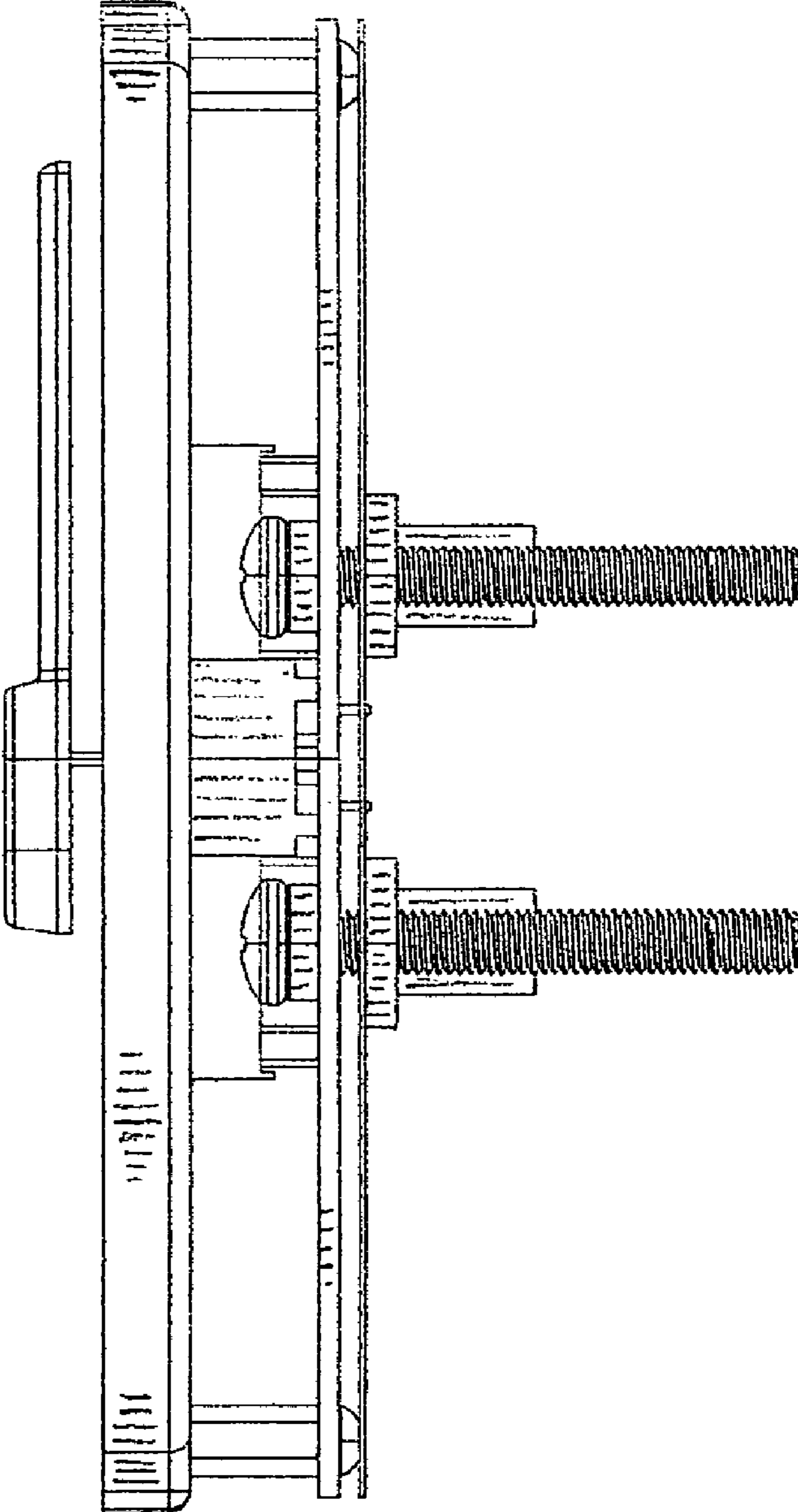


FIG. 4

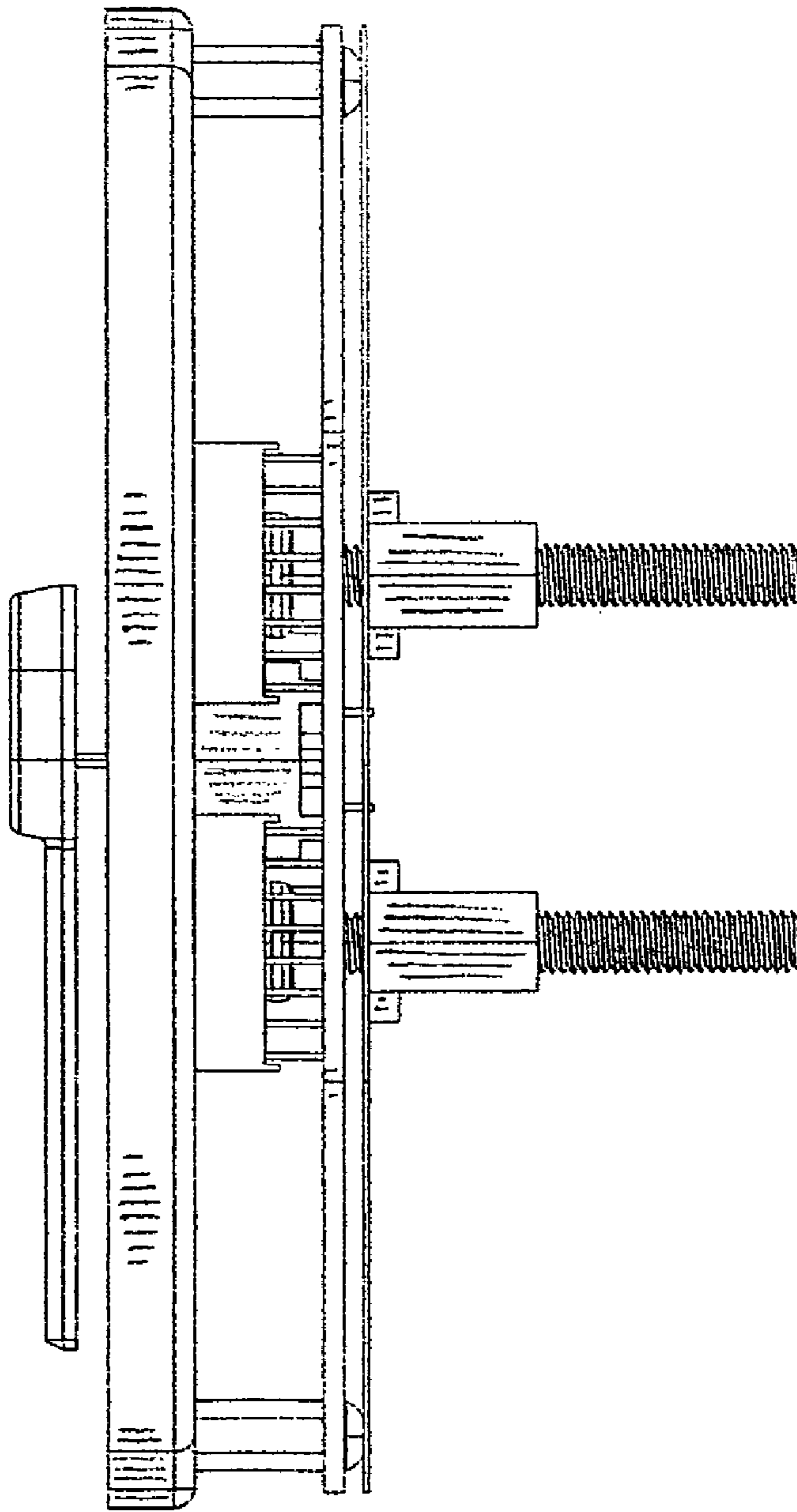


FIG. 5

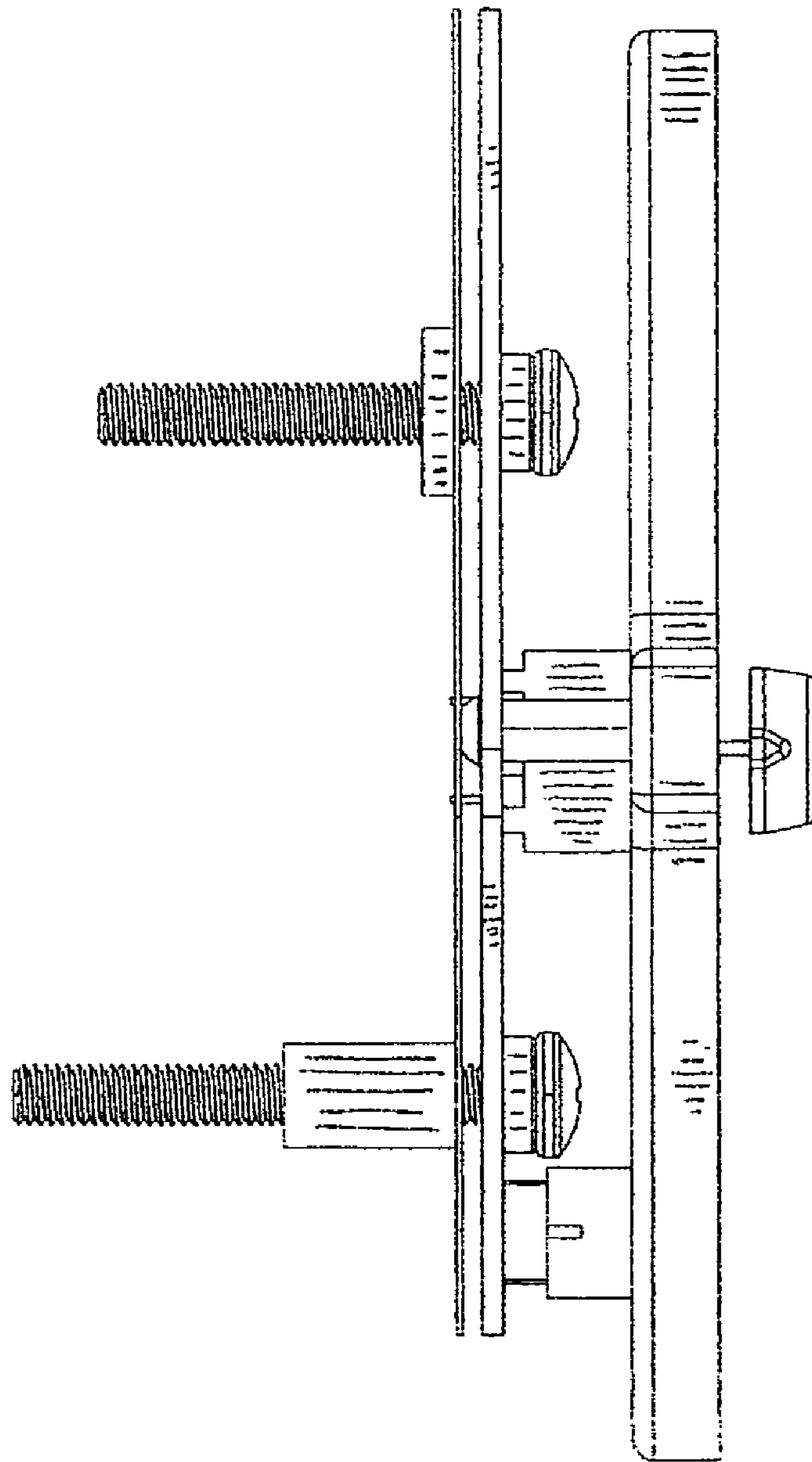


FIG. 6

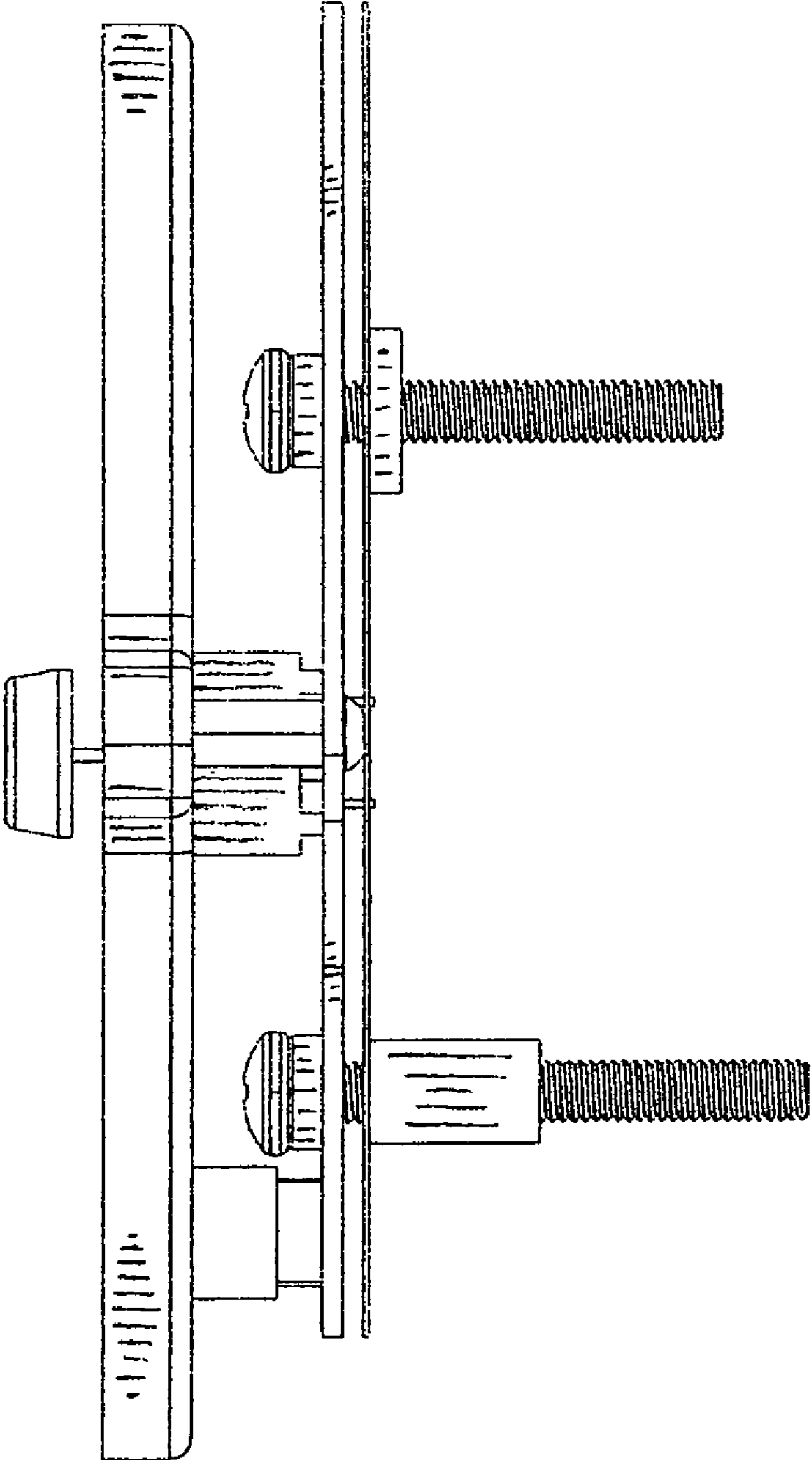


FIG. 7