



US00D668570S

(12) **United States Design Patent**
Rainer et al.

(10) **Patent No.:** **US D668,570 S**

(45) **Date of Patent:** **** Oct. 9, 2012**

(54) **SENSING APPARATUS**

(75) Inventors: **Michael D. Rainer**, Burton, OH (US);
Peter J. Gillespie, Chagrin Falls, OH
(US); **Douglas J. Paige**, Lakewood, OH
(US); **Kenneth J. Maynard**, Amherst,
OH (US)

(73) Assignee: **The Mercury Iron And Steel Co.**,
Cleveland, OH (US)

(**) Term: **14 Years**

(21) Appl. No.: **29/408,355**

(22) Filed: **Dec. 12, 2011**

Related U.S. Application Data

(62) Division of application No. 29/365,064, filed on Jul. 2,
2010, now Pat. No. Des. 653,136.

(51) **LOC (9) Cl.** **10-04**

(52) **U.S. Cl.** **D10/96**

(58) **Field of Classification Search** D10/46,
D10/96; 73/201, 273, 204.21, 861.63, 861.64,
73/861.351-861.357
See application file for complete search history.

(56) **References Cited**

U.S. PATENT DOCUMENTS

D562,169	S *	2/2008	Oshima et al.	D10/96
D587,611	S *	3/2009	Oshima et al.	D10/96
D602,794	S *	10/2009	Oshima	D10/96
D609,591	S *	2/2010	Oshima et al.	D10/96
2008/0006085	A1 *	1/2008	Yamashita et al.	73/273

OTHER PUBLICATIONS

Pending U.S. Appl. No. 13/107,675, Methods and Apparatuses for
Measuring Properties of a Substance in a Process Stream, Michael D.
Rainer et al., filed May 13, 2011.

* cited by examiner

Primary Examiner — Antoine D Davis

(74) *Attorney, Agent, or Firm* — Ulmer & Berne LLP

(57) **CLAIM**

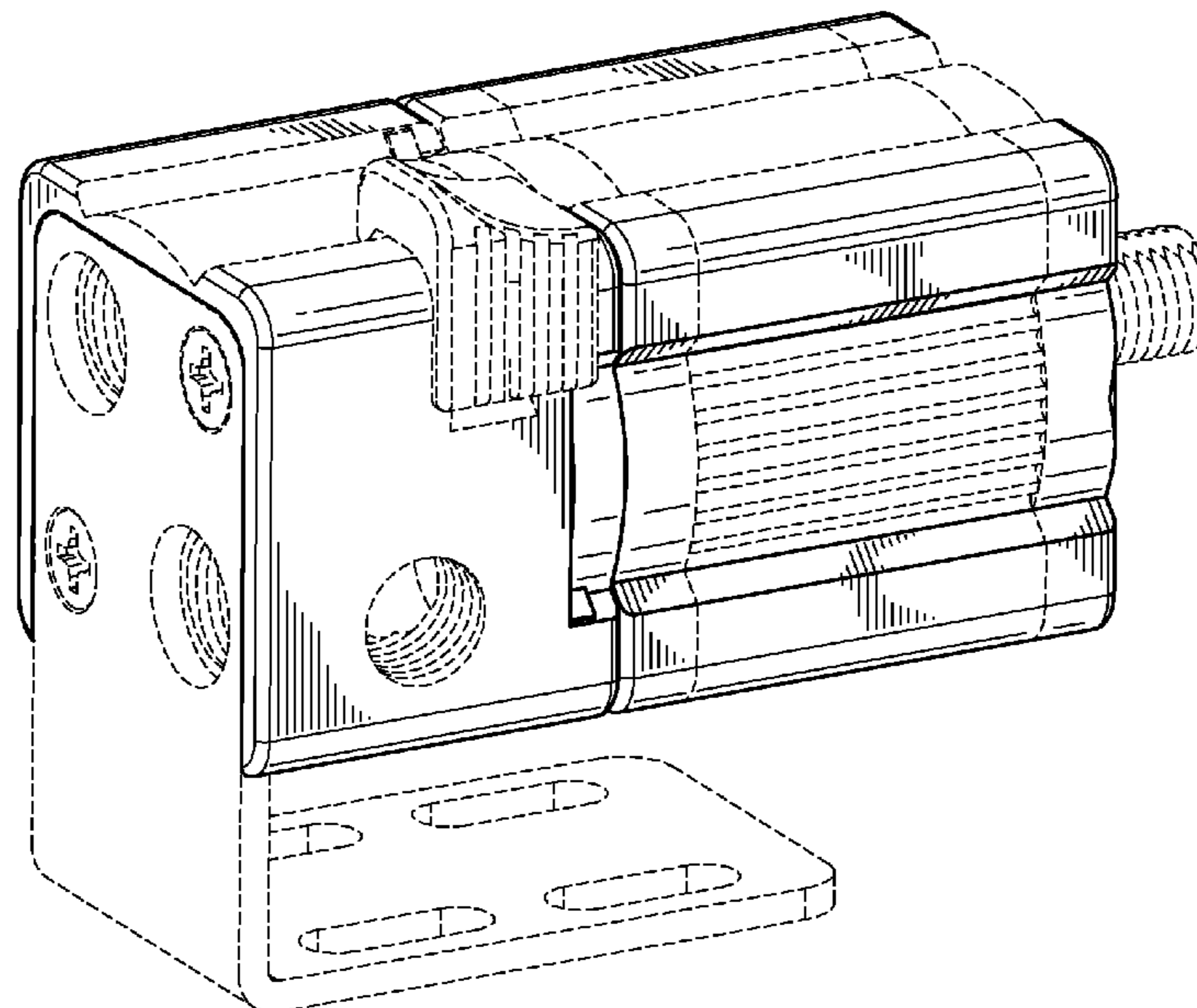
The ornamental design for a sensing apparatus, as shown and
described.

DESCRIPTION

FIG. 1 is an isometric view of the sensing apparatus;
FIG. 2 is a top plan view of the sensing apparatus of FIG. 1;
FIG. 3 is a bottom plan view of the sensing apparatus of FIG.
1;
FIG. 4 is a front elevation view of the sensing apparatus of
FIG. 1;
FIG. 5 is a rear elevation view of the sensing apparatus of FIG.
1;
FIG. 6 is a right side elevation view of the sensing apparatus
of FIG. 1; and,
FIG. 7 is a left side elevation view of the sensing apparatus of
FIG. 1.

The phantom lines and areas shown in the figures are for
illustrative purposes only and form no part of the claimed
design.

1 Claim, 3 Drawing Sheets



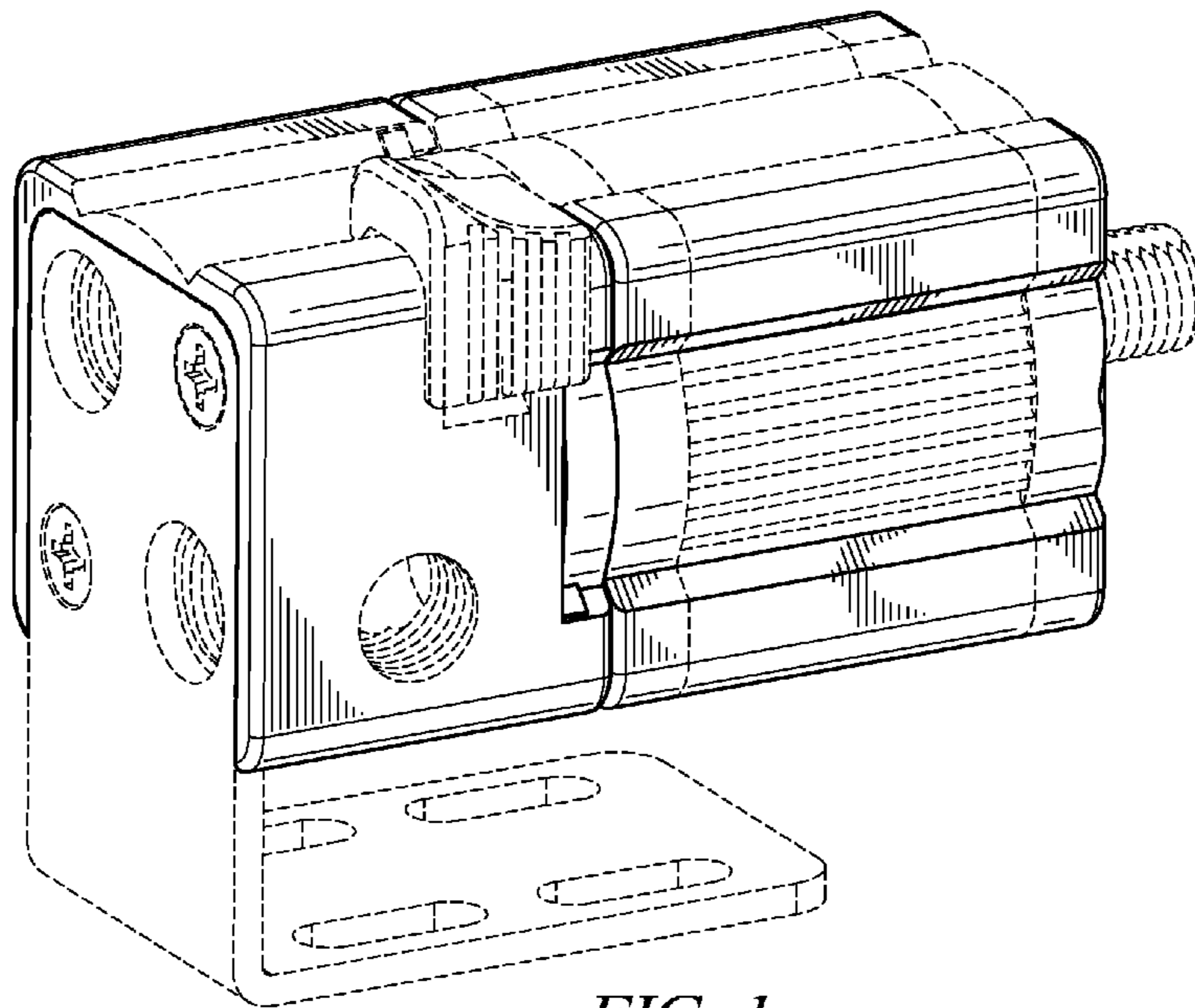


FIG. 1

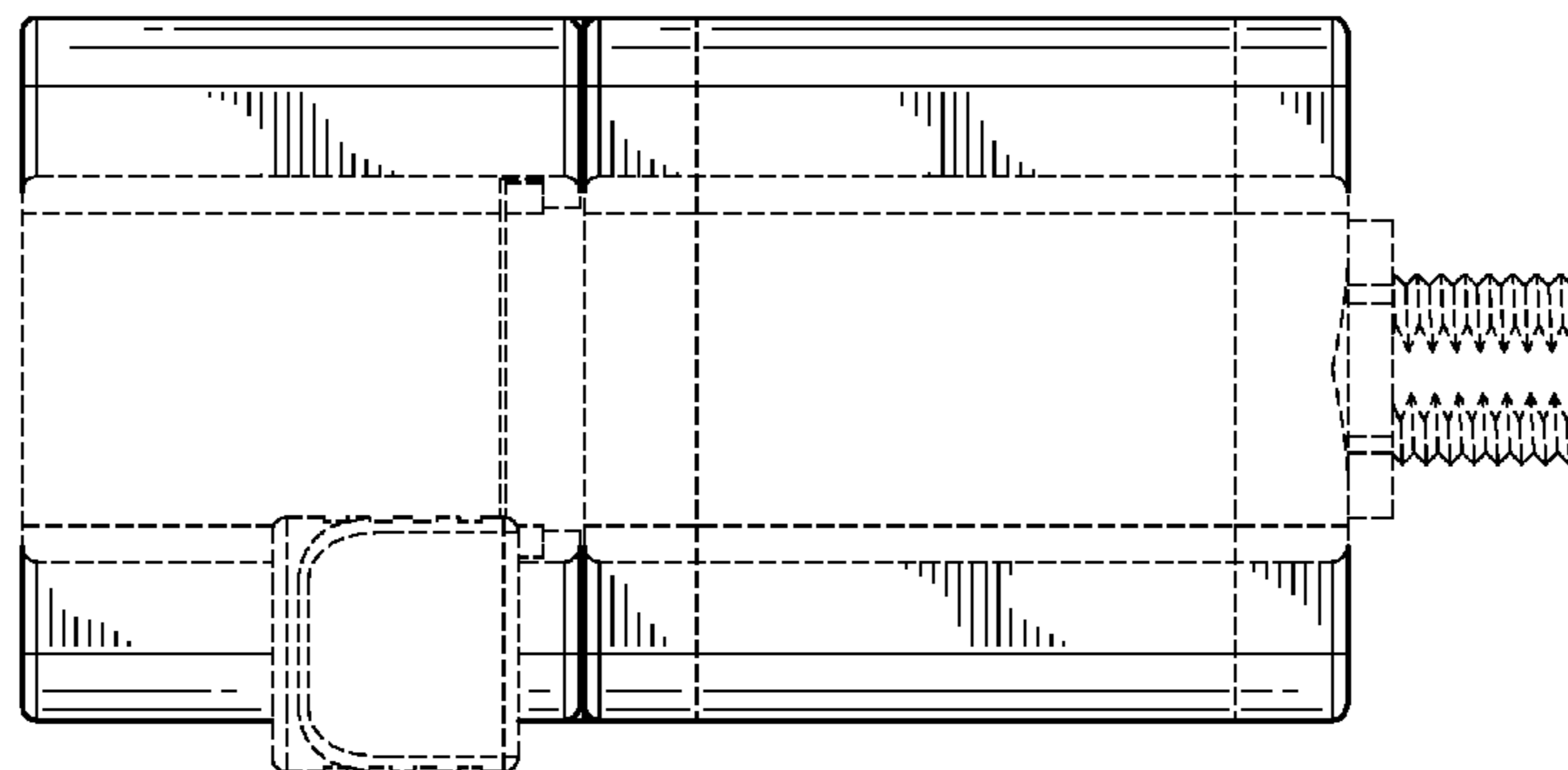


FIG. 2

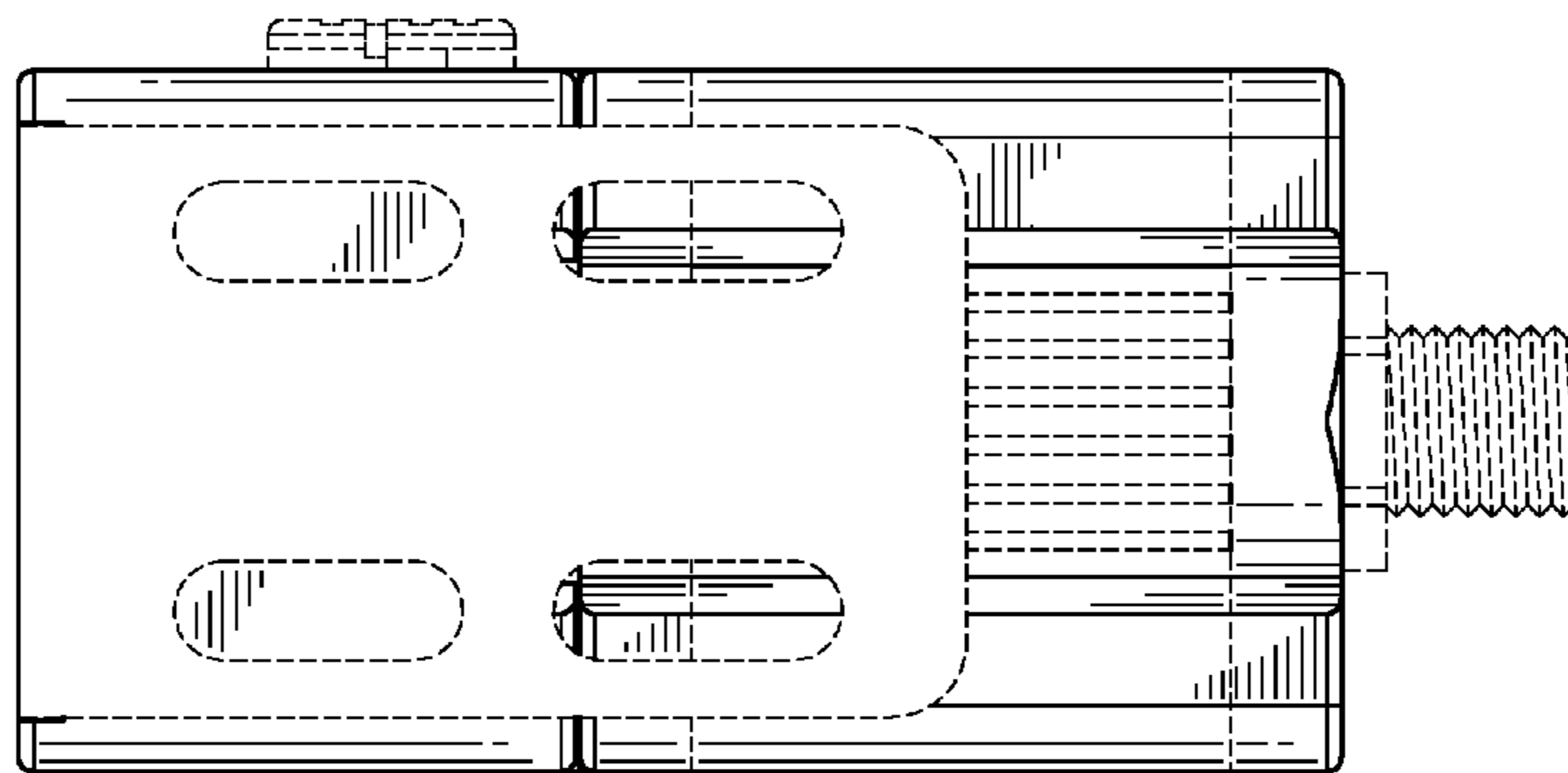


FIG. 3

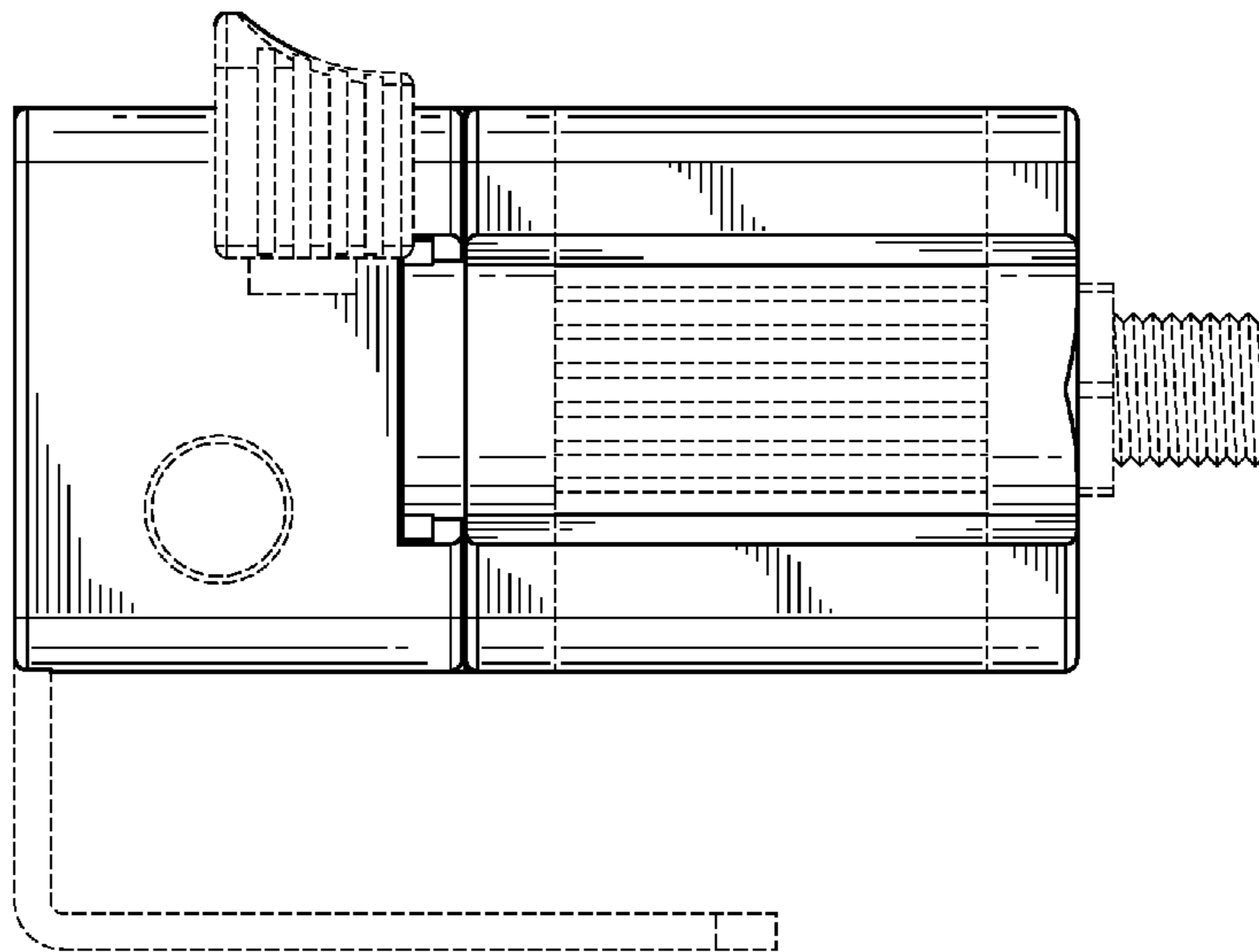


FIG. 4

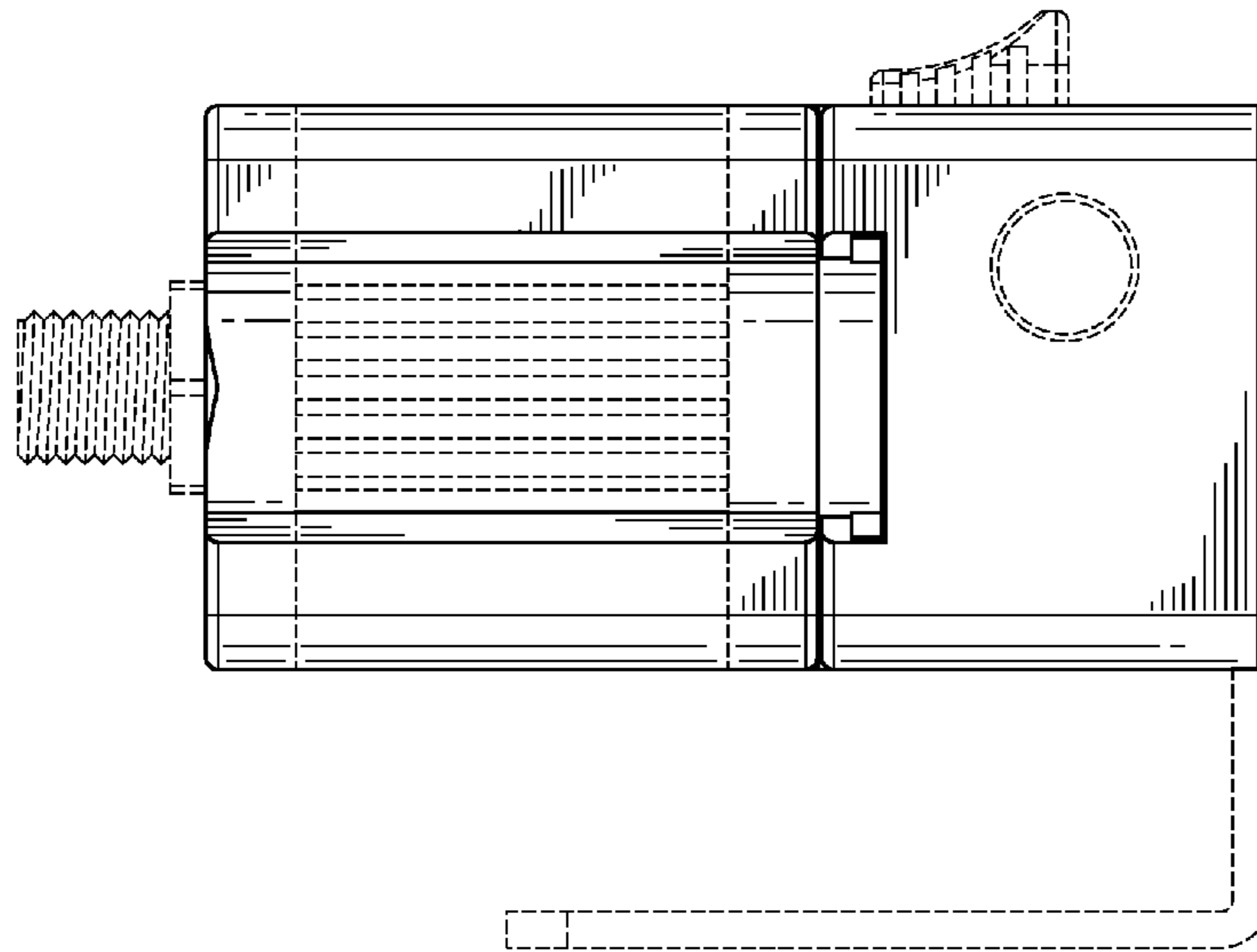


FIG. 5

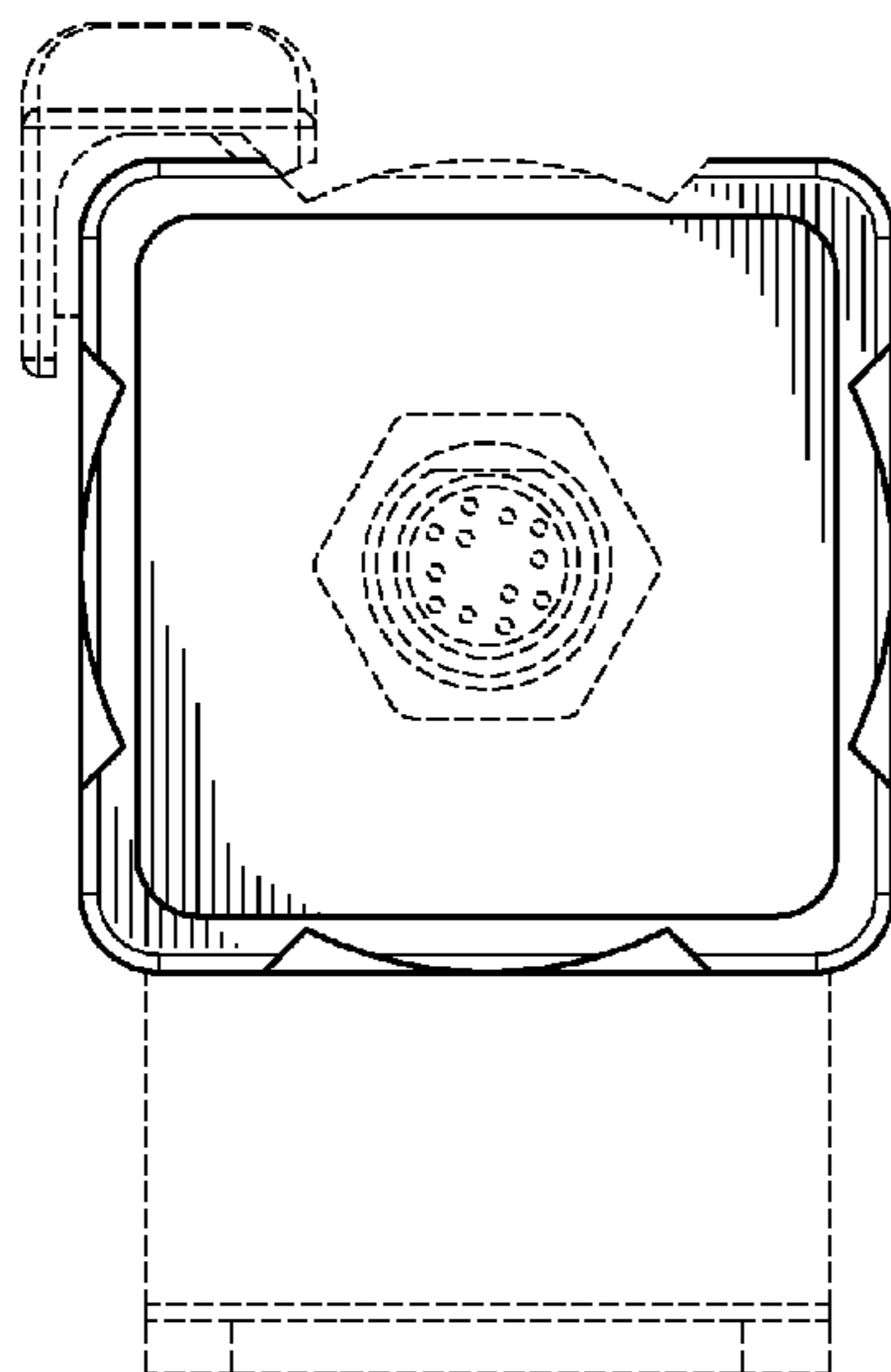


FIG. 6

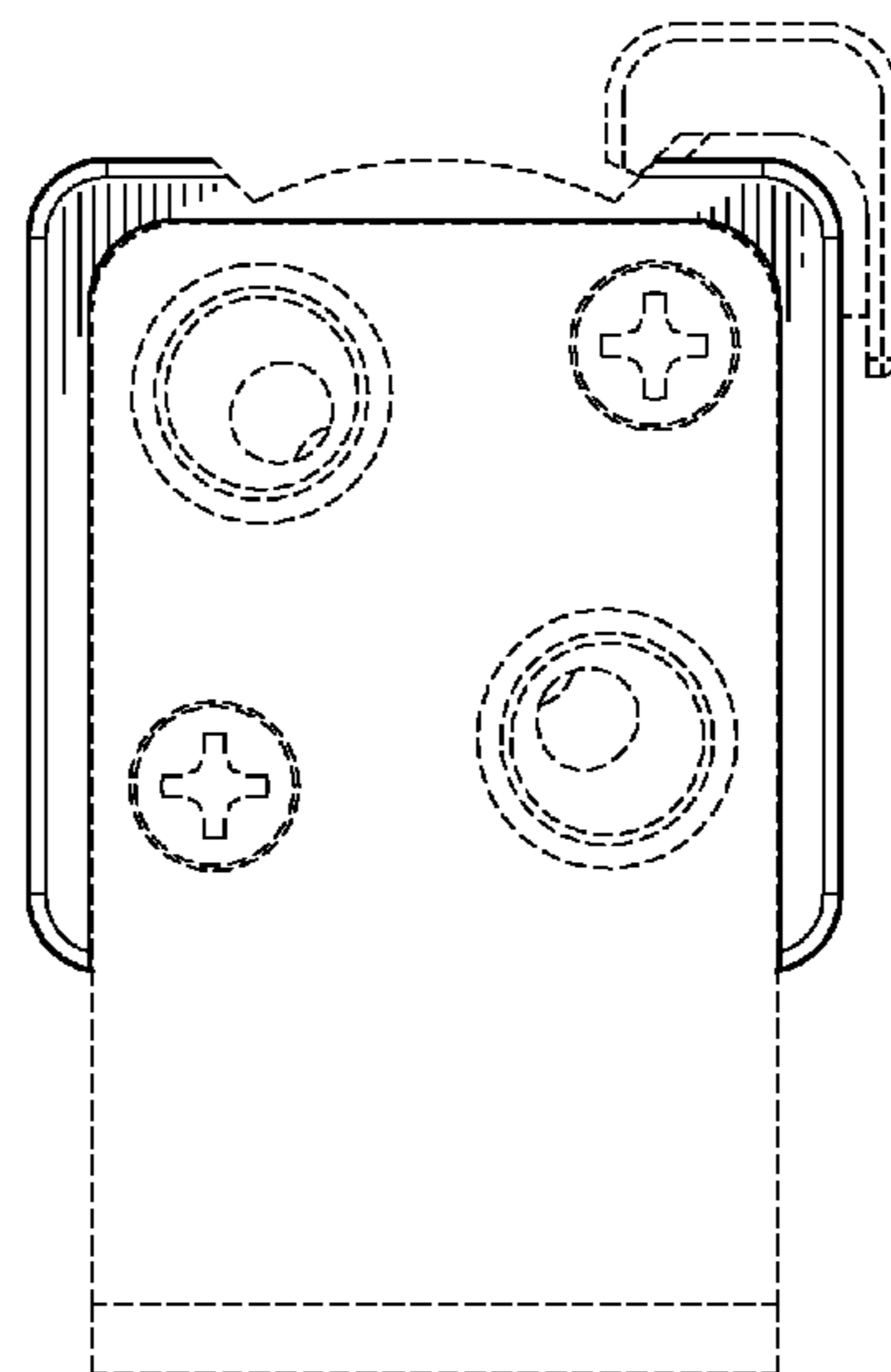


FIG. 7