



US00D668566S

(12) **United States Design Patent**
Dunkin

(10) **Patent No.:** **US D668,566 S**

(45) **Date of Patent:** **** Oct. 9, 2012**

(54) **DISPLAY HOUSING FOR A HANDHELD INSPECTION DEVICE**

(75) Inventor: **Jon R. Dunkin**, Elyria, OH (US)

(73) Assignee: **Emerson Electric Co.**, St. Louis, MO (US)

(**) Term: **14 Years**

(21) Appl. No.: **29/391,437**

(22) Filed: **May 9, 2011**

(51) **LOC (9) Cl.** **10-04**

(52) **U.S. Cl.** **D10/78; D10/104**

(58) **Field of Classification Search** D10/78,
D10/104, 46; D16/202; 250/208.1, 330,
250/336.1, 338.1, 339.03, 395, 256; 348/65-68,
348/77, 141, 84, 45, 74; 362/1, 109, 294,
362/373, 399; 713/176; 324/329, 67, 326;
73/623, 865.8, 151; 356/241, 237, 378; 15/324,
15/339; 385/116, 117; 29/729, 592.1, 593;
439/585, 587, 588, 589; 600/109, 129, 131,
600/175, 177; D24/133, 138

See application file for complete search history.

(56) **References Cited**

U.S. PATENT DOCUMENTS

5,373,317	A *	12/1994	Salvati et al.	348/65
D559,386	S	1/2008	Pease et al.	
D560,804	S	1/2008	Pease et al.	
7,758,495	B2 *	7/2010	Pease et al.	600/104
D621,732	S *	8/2010	Whitcomb et al.	D10/78
7,767,963	B1 *	8/2010	Fujii	250/330
7,902,990	B2 *	3/2011	Delmonico et al.	340/636.1
D641,270	S *	7/2011	Whitcomb et al.	D10/78
8,033,993	B2 *	10/2011	Amano et al.	600/160
8,079,951	B2 *	12/2011	Yokota	600/120
8,118,733	B2 *	2/2012	Scott et al.	600/130
8,142,346	B2 *	3/2012	Shoroji et al.	600/110
8,182,416	B1 *	5/2012	Hosaka et al.	600/131
2009/0109283	A1 *	4/2009	Scott et al.	348/65
2009/0322867	A1 *	12/2009	Carrey et al.	348/77
2010/0033563	A1 *	2/2010	Boehnlein et al.	348/84

OTHER PUBLICATIONS

“IR Thermometer MicroRay IR-100 Non-Contact Infrared Thermometer” Rigid [Catalog], Ridge Tool Company, a subsidiary of Emerson, part of Emerson Professional Tools™, © 2008 Ridgid, Inc., p. 7.20. “Micro CG-100™ Combustible Gas Sniffer” Rigid [Catalog], Ridge Tool Company, a subsidiary of Emerson, part of Emerson Professional Tools™, © 2008 Ridgid, Inc., p. 7.21.

“SeeSnake® micro™ Inspection Camera”, RIGID [Catalog], Ridge Tool Company, a subsidiary of Emerson, part of Emerson Professional Tools®, © 2008 Ridgid, Inc., pp. 11.14 and 11.15.

* cited by examiner

Primary Examiner — Antoine D Davis

(57) **CLAIM**

The ornamental design for a display housing for a handheld inspection device, as shown and described.

DESCRIPTION

FIG. 1 is a side perspective view of an exemplary handheld inspection device that embodies a display housing in accordance with the principles of the present design;

FIG. 2 is a front perspective view of a first embodiment of the display housing;

FIG. 3 is a front view of the first embodiment of the display housing;

FIG. 4 is a rear view of the first embodiment of the display housing;

FIG. 5 is a top view of the first embodiment of the display housing;

FIG. 6 is a bottom view of the first embodiment of the display housing;

FIG. 7 is a first side view of the first embodiment of the display housing;

FIG. 8 is a second side view of the first embodiment of the display housing;

FIG. 9 is a front perspective view of a second embodiment of the display housing;

FIG. 10 is a front view of the second embodiment of the display housing;

FIG. 11 is a rear view of the second embodiment of the display housing;

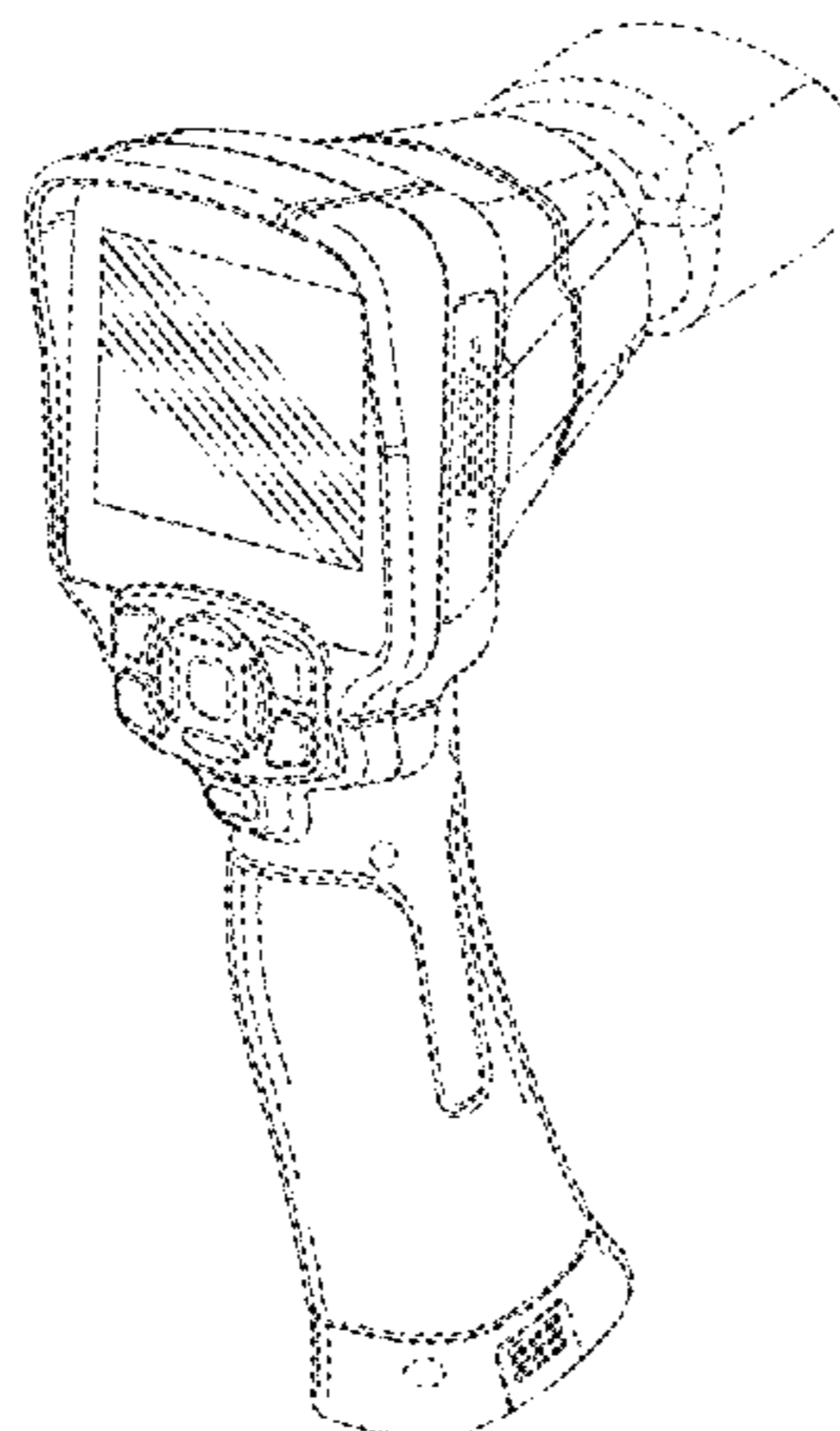


FIG. 12 is a top view of the second embodiment of the display housing;

FIG. 13 is a bottom view of the second embodiment of the display housing;

FIG. 14 is a first side view of the second embodiment of the display housing;

FIG. 15 is a second side view of the second embodiment of the display housing;

FIG. 16 is a front perspective view of a third embodiment of the display housing;

FIG. 17 is a front view of the third embodiment of the display housing;

FIG. 18 is a rear view of the third embodiment of the display housing;

FIG. 19 is a top view of the third embodiment of the display housing;

FIG. 20 is a bottom view of the third embodiment of the display housing;

FIG. 21 is a first side view of the third embodiment of the display housing;

FIG. 22 is a second side view of the third embodiment of the display housing;

FIG. 23 is a front perspective view of a fourth embodiment of the display housing;

FIG. 24 is a front view of the fourth embodiment of the display housing;

FIG. 25 is a rear view of the fourth embodiment of the display housing;

FIG. 26 is a top view of the fourth embodiment of the display housing;

FIG. 27 is a bottom view of the fourth embodiment of the display housing;

FIG. 28 is a first side view of the fourth embodiment of the display housing; and,

FIG. 29 is a second side view of the fourth embodiment of the display housing.

It is to be understood that the broken lines shown throughout the drawings are for illustrative purposes only and form no part of the present design.

1 Claim, 25 Drawing Sheets

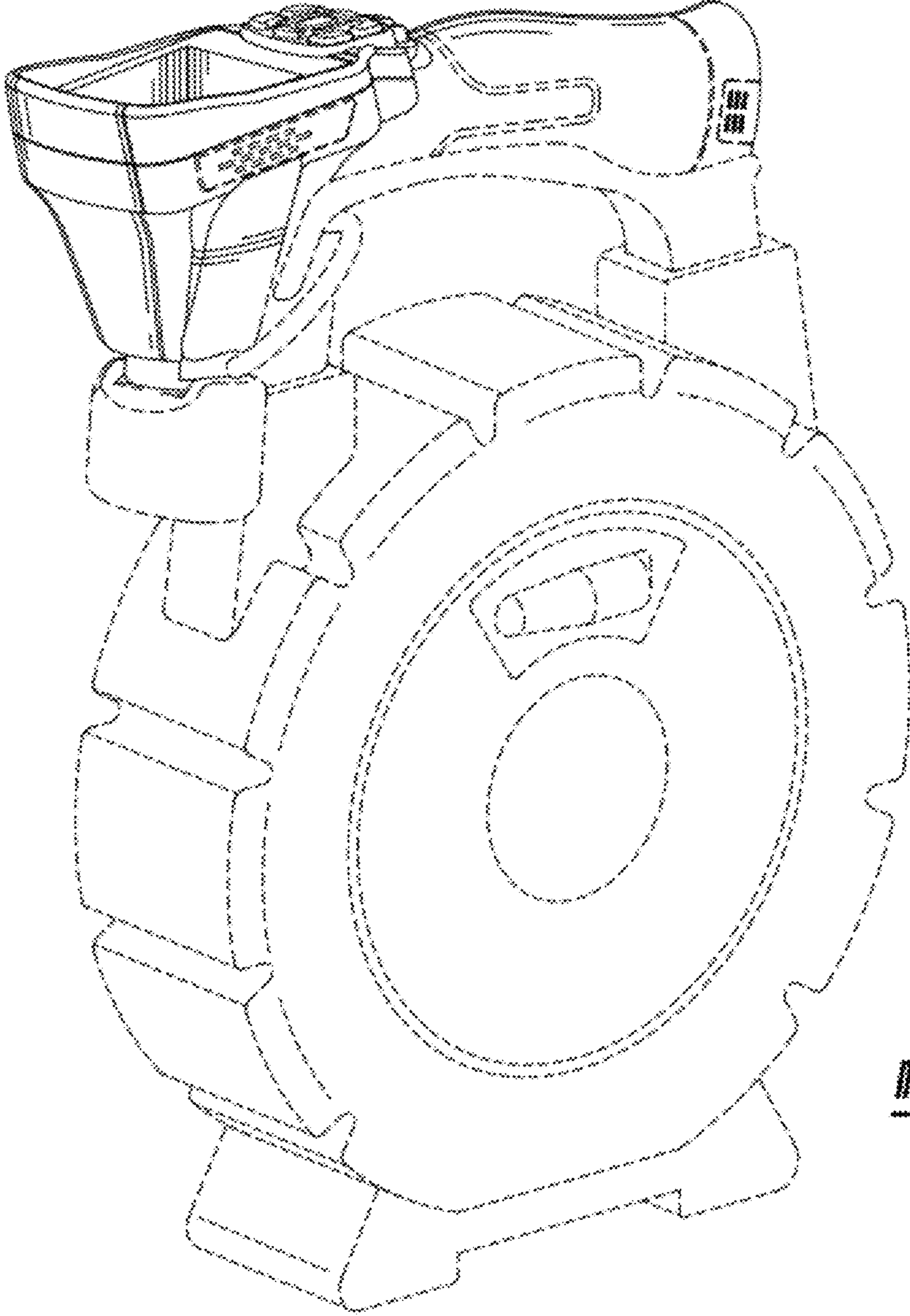


Fig-1

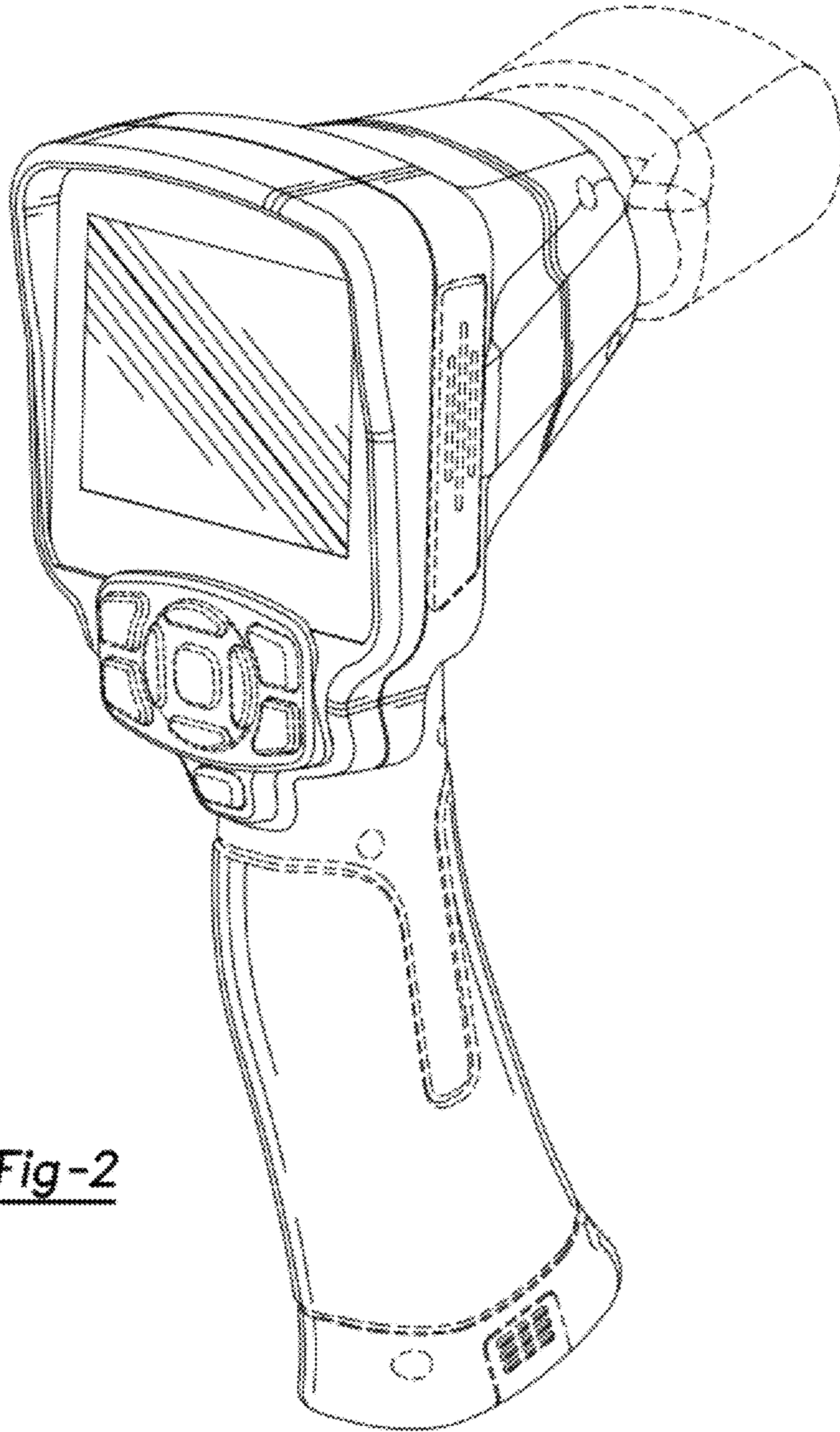


Fig-2

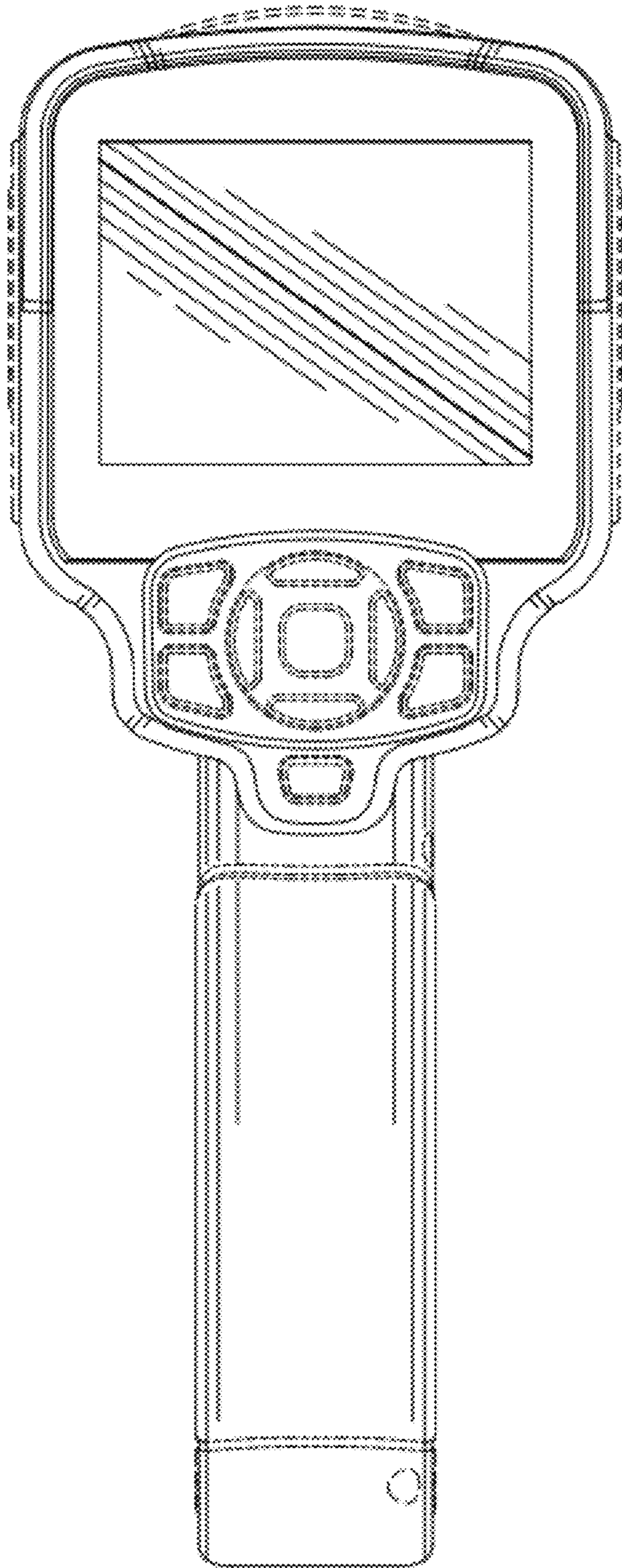


Fig-3

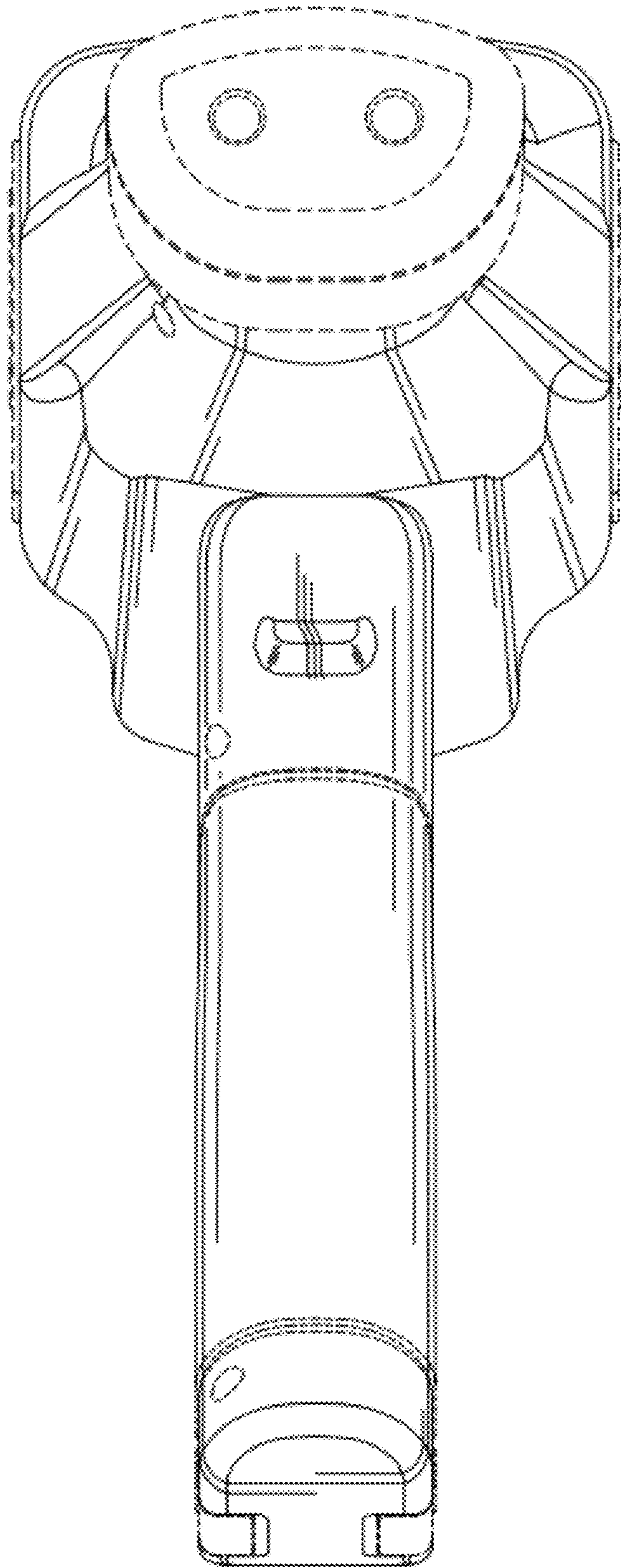


Fig-4

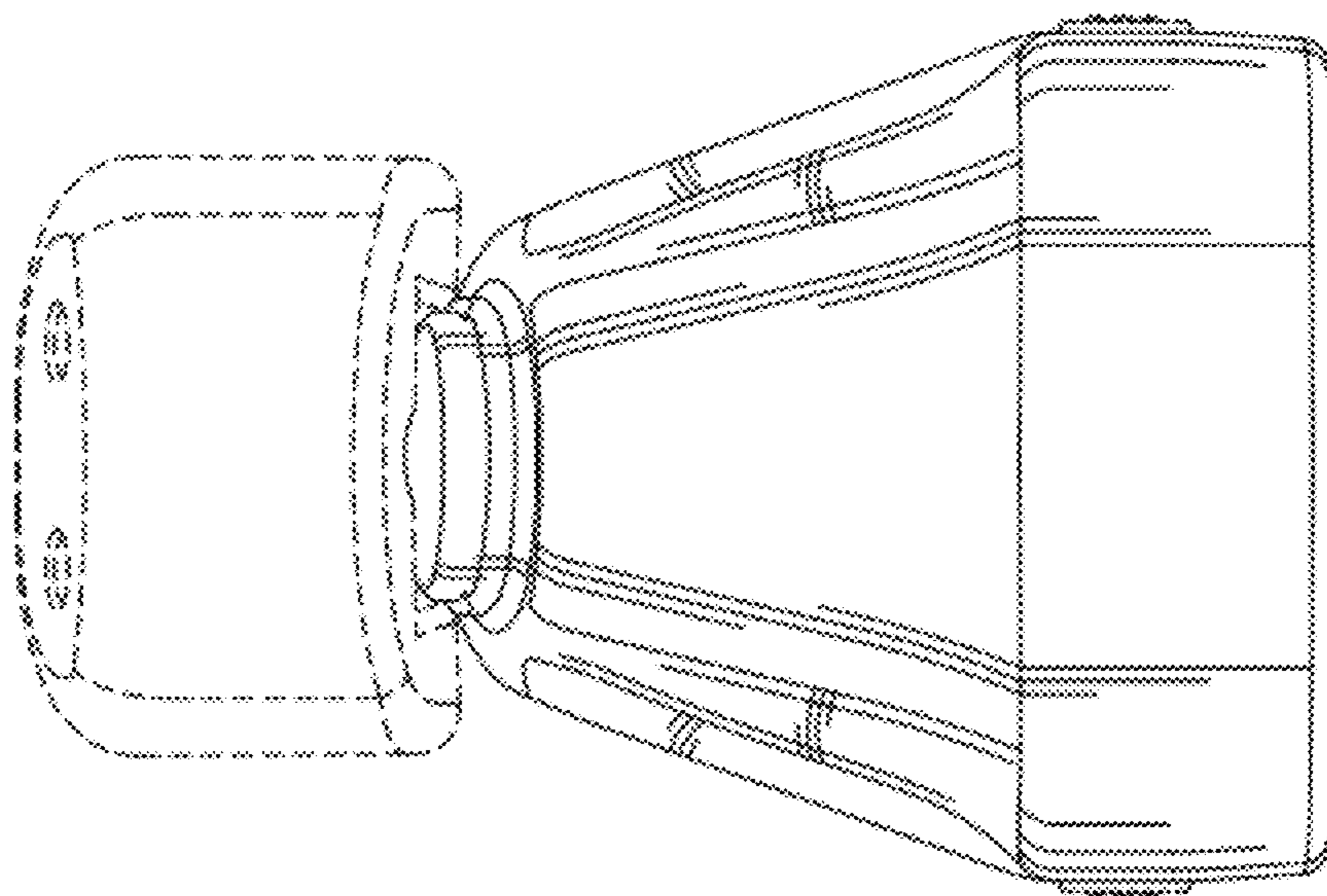


Fig-5

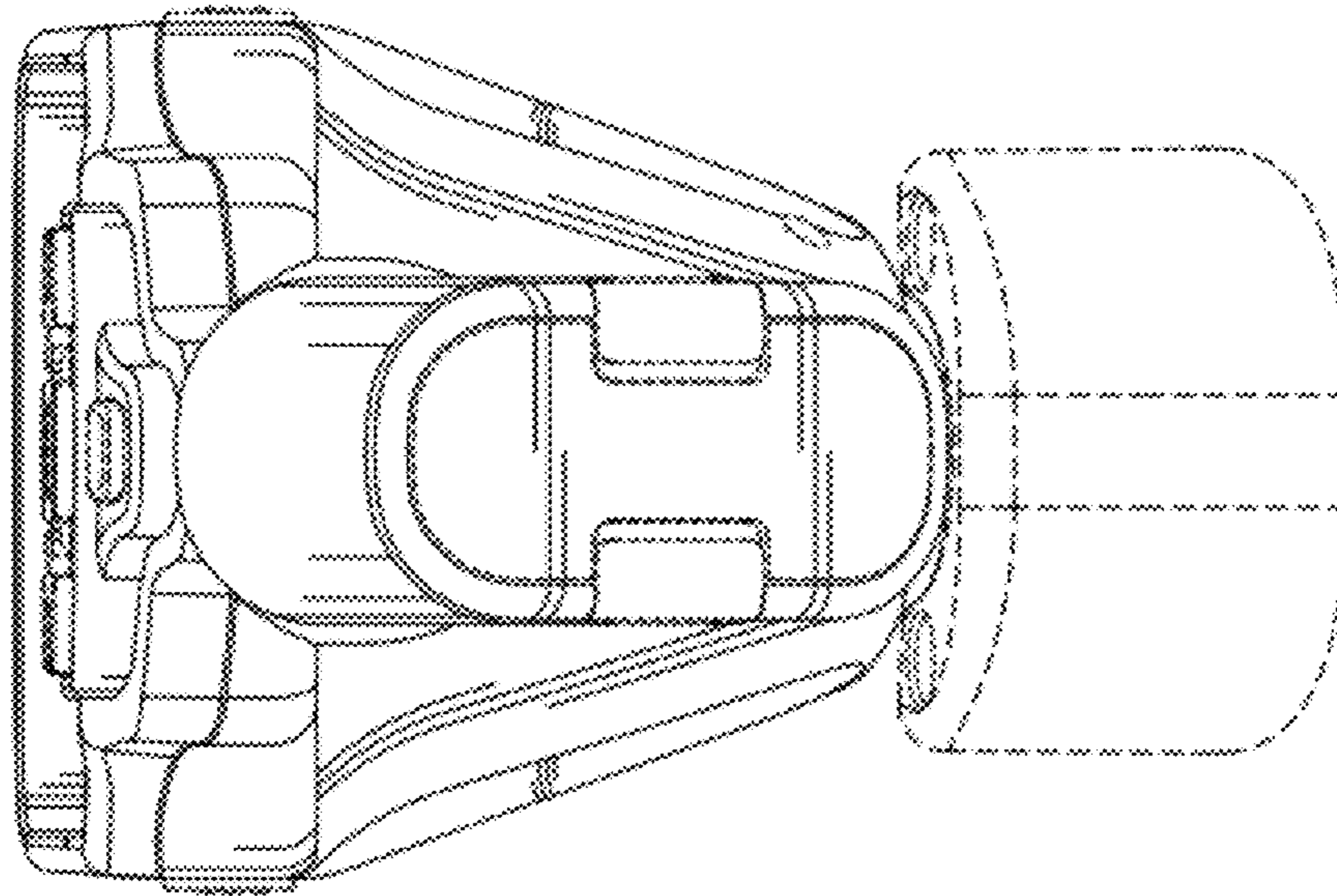


Fig-6

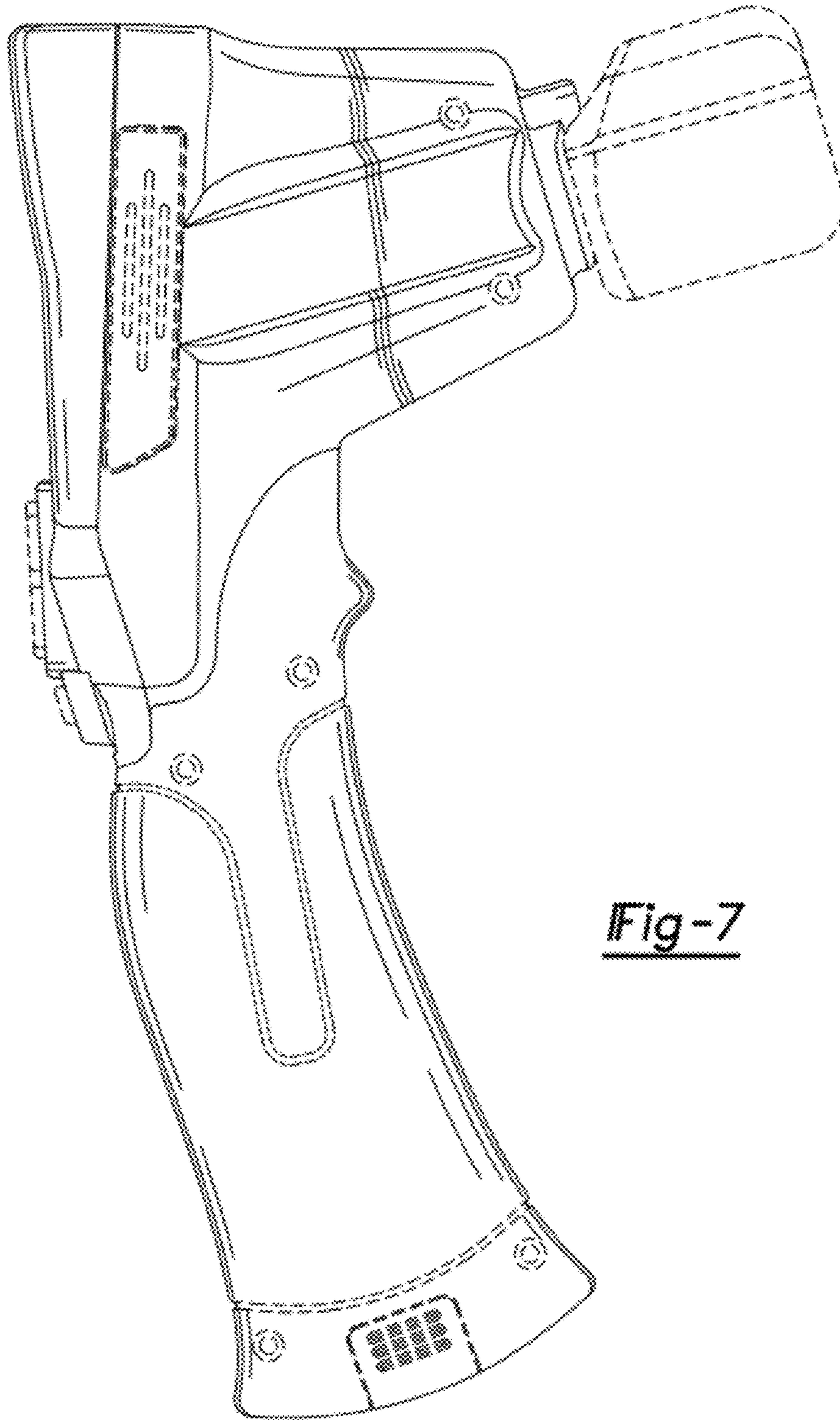


Fig-7

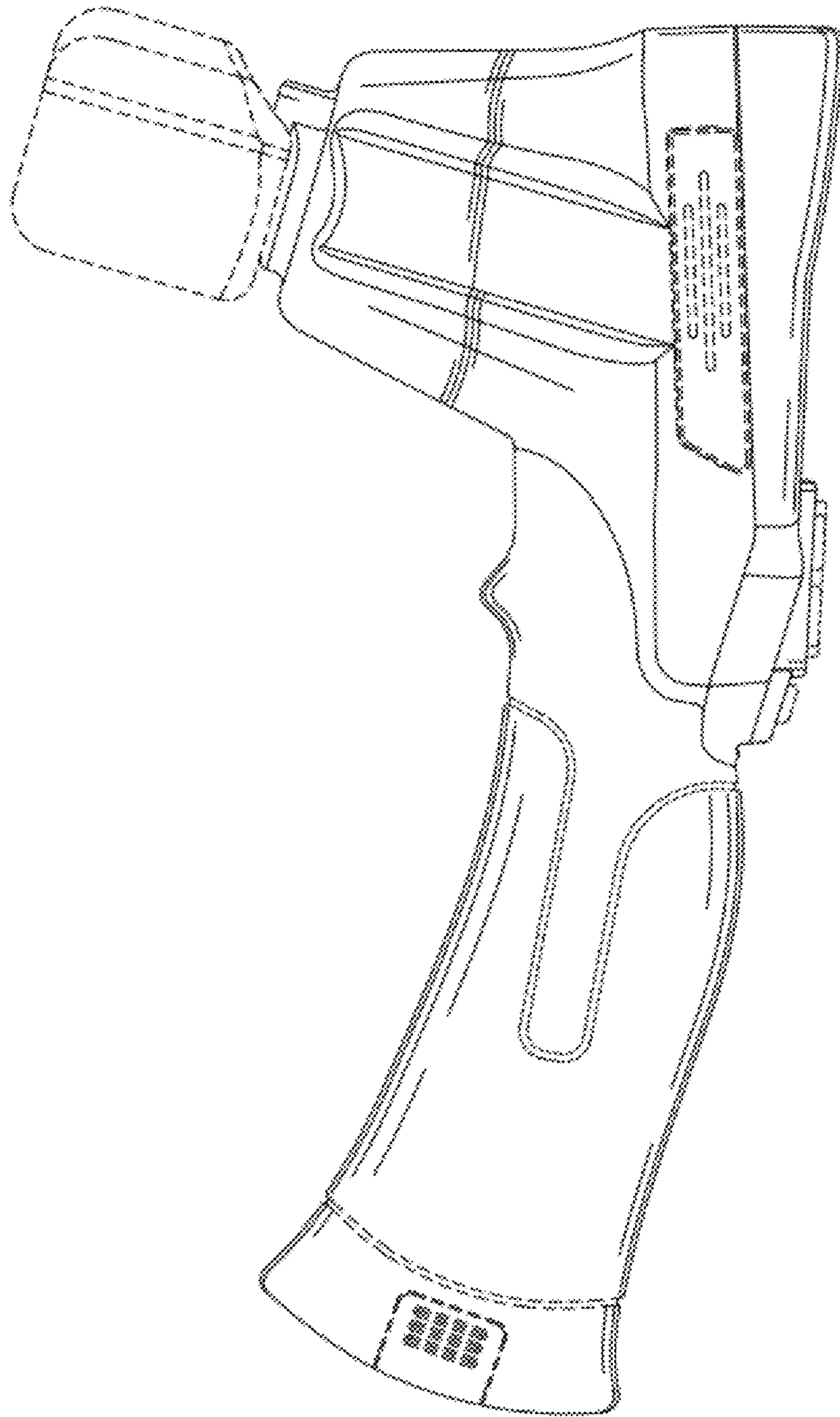


Fig-8

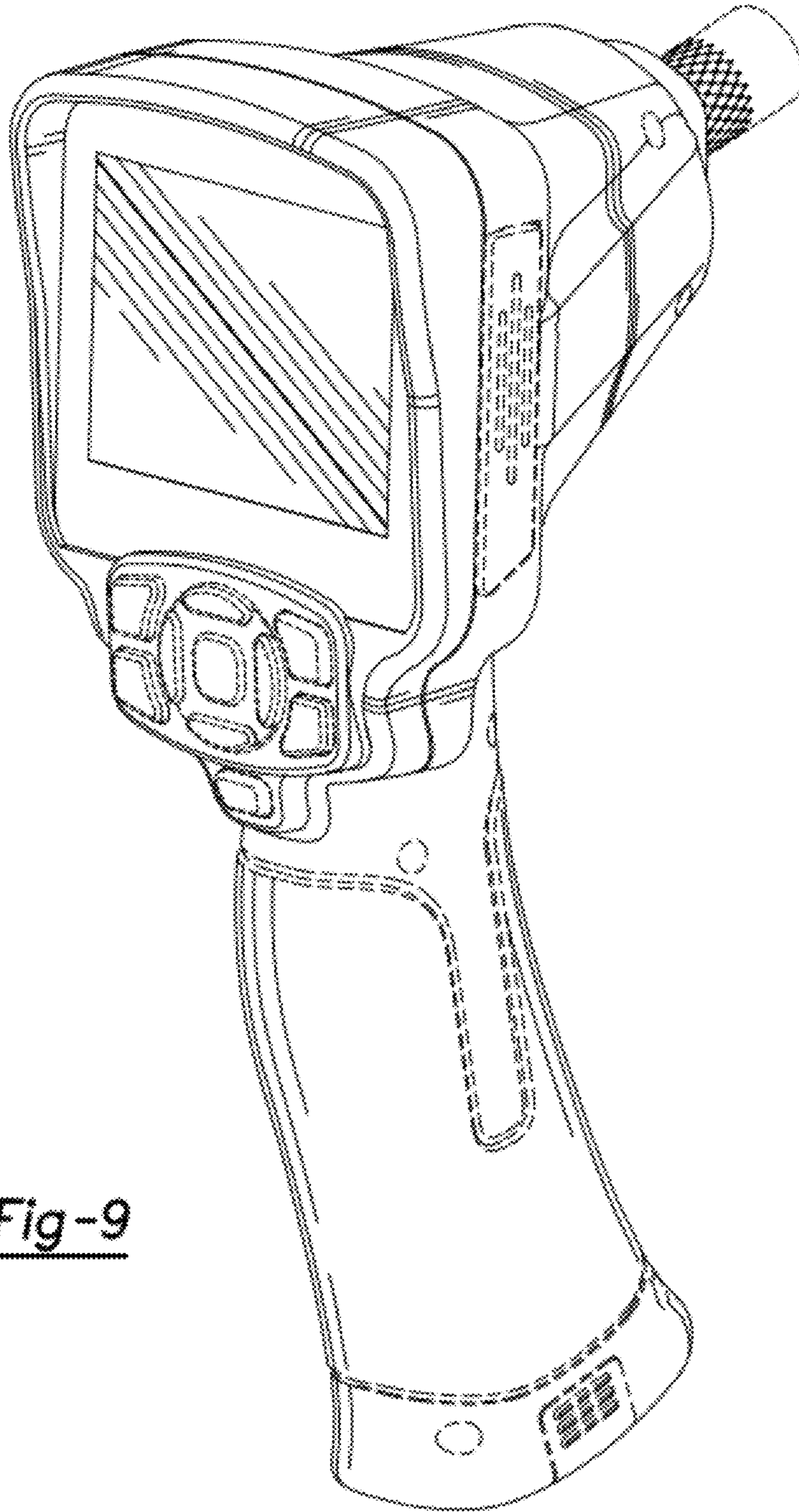


Fig-9

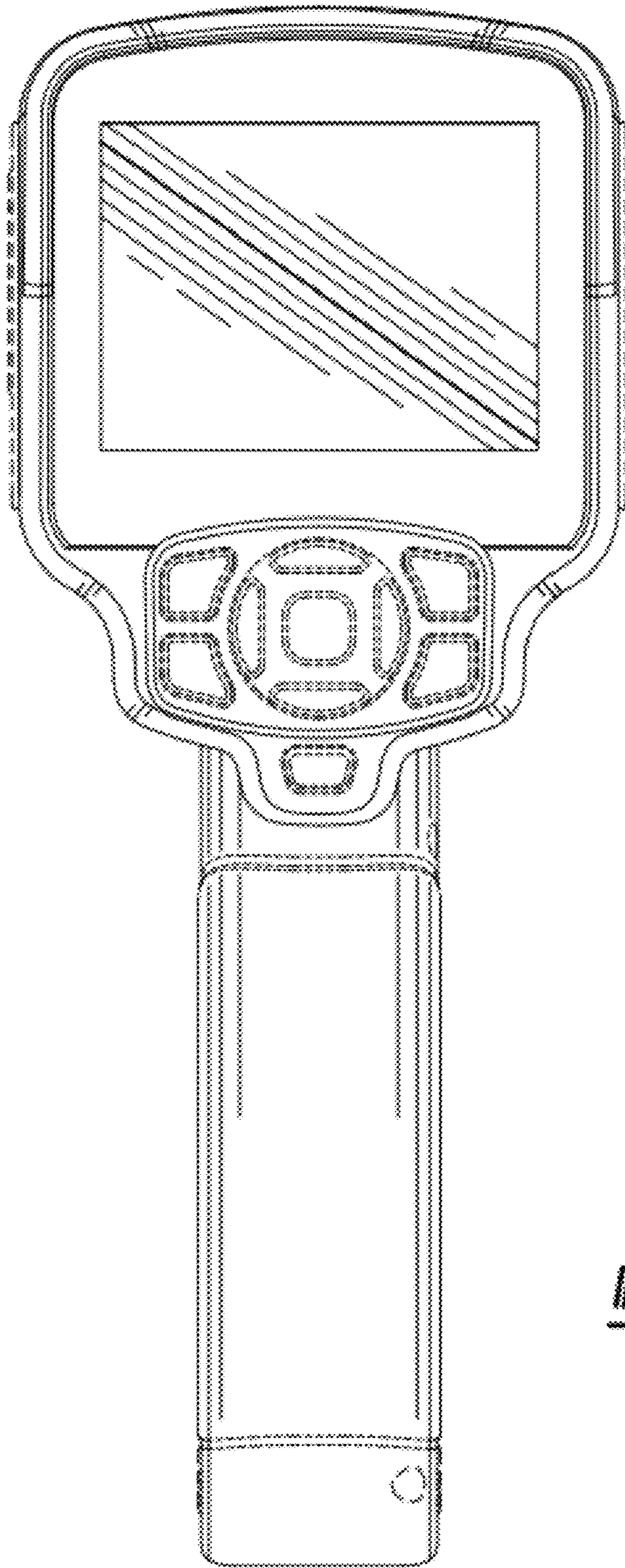


Fig-10

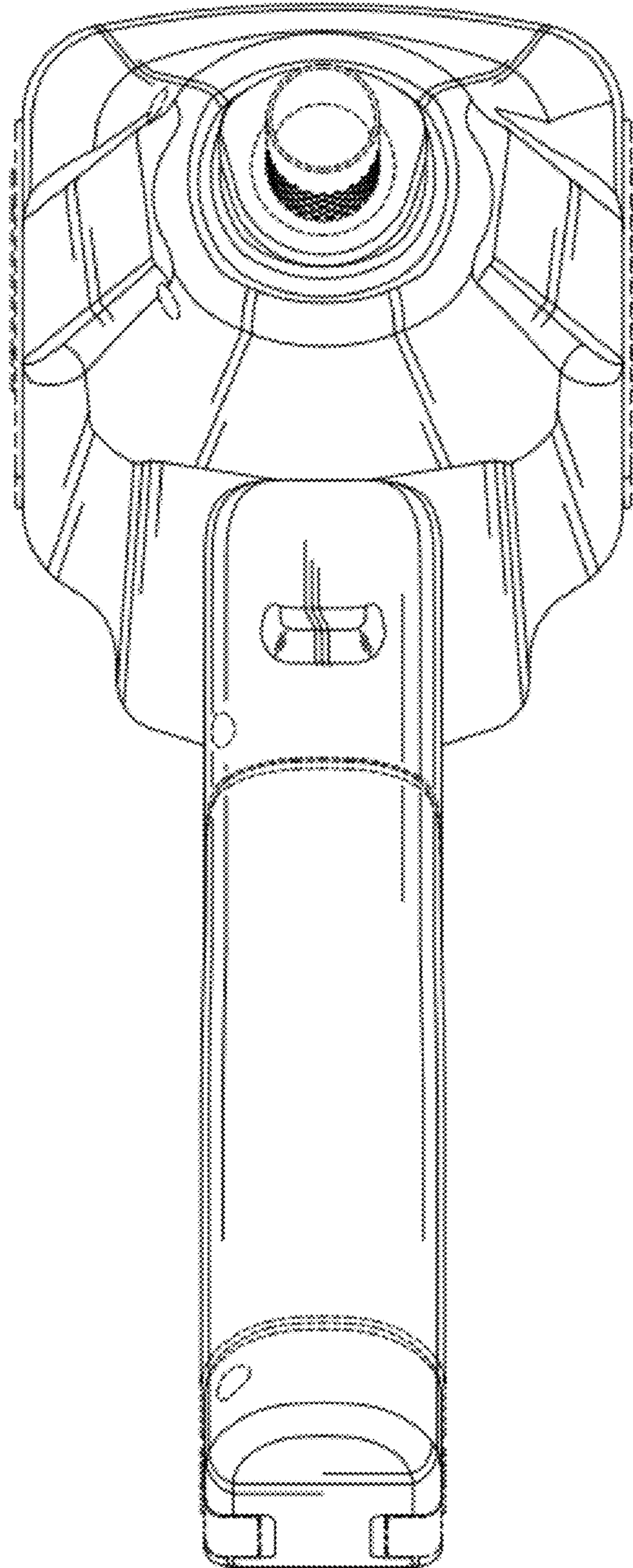


Fig-11

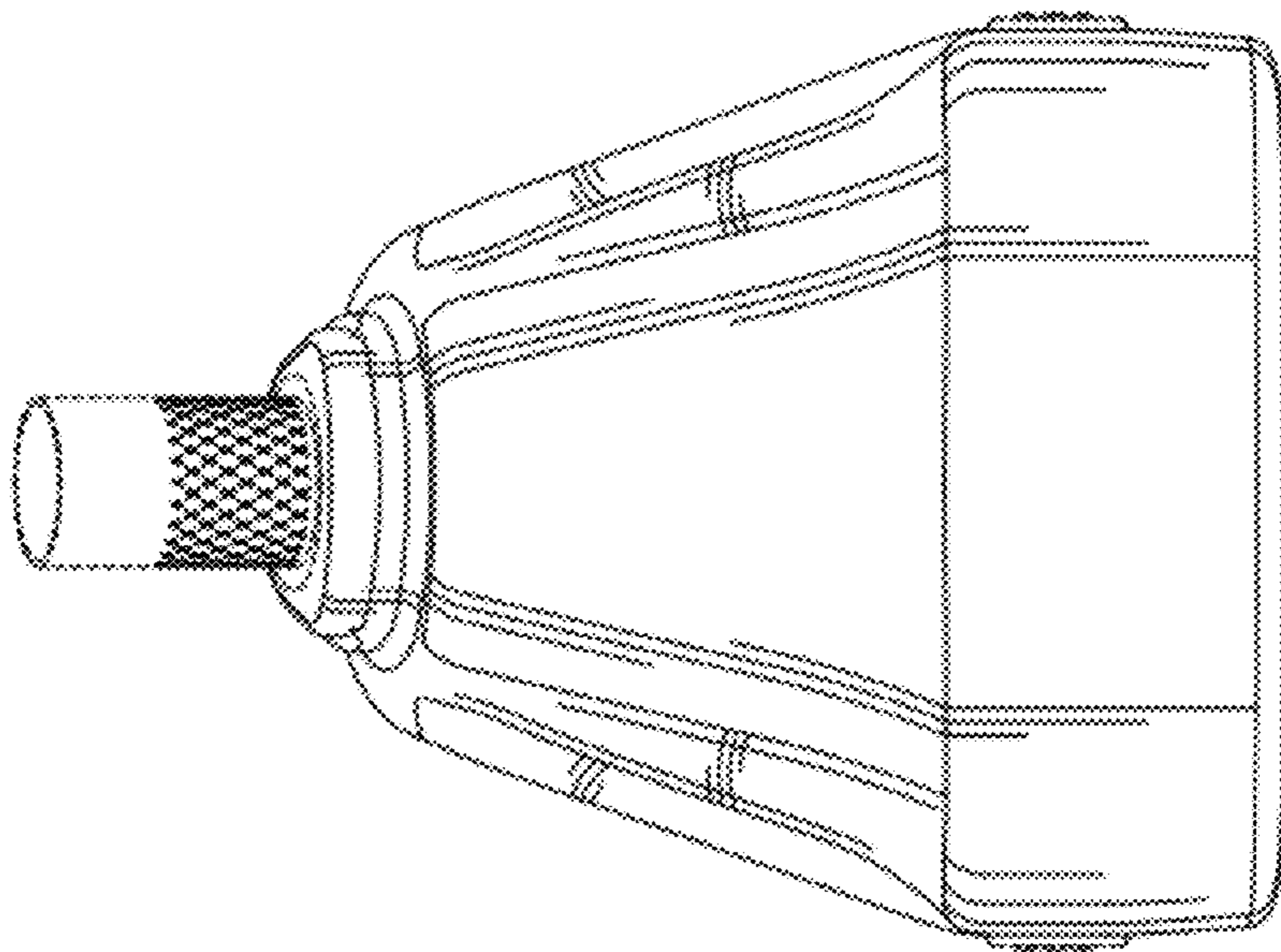


Fig-12

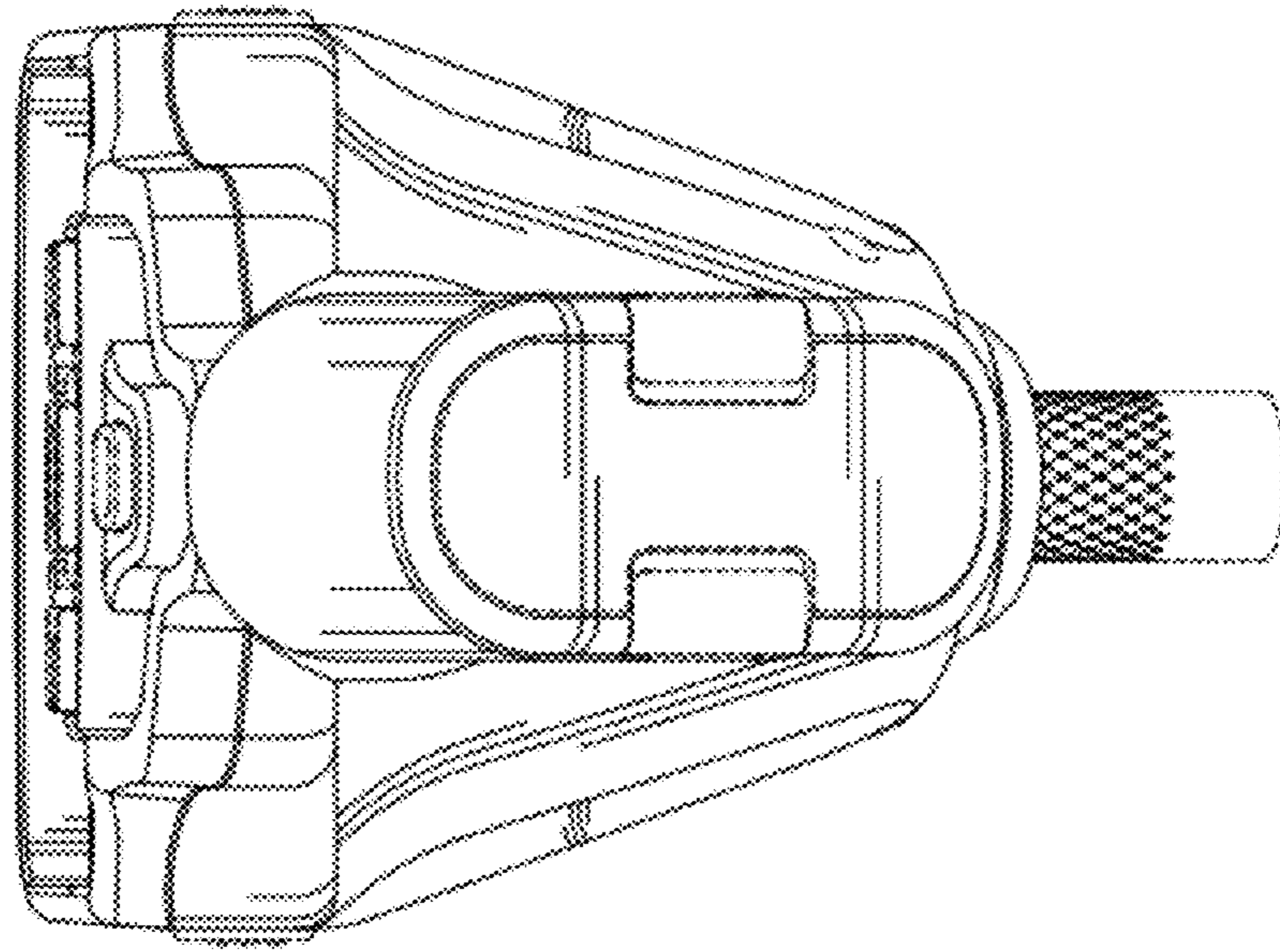


Fig-13

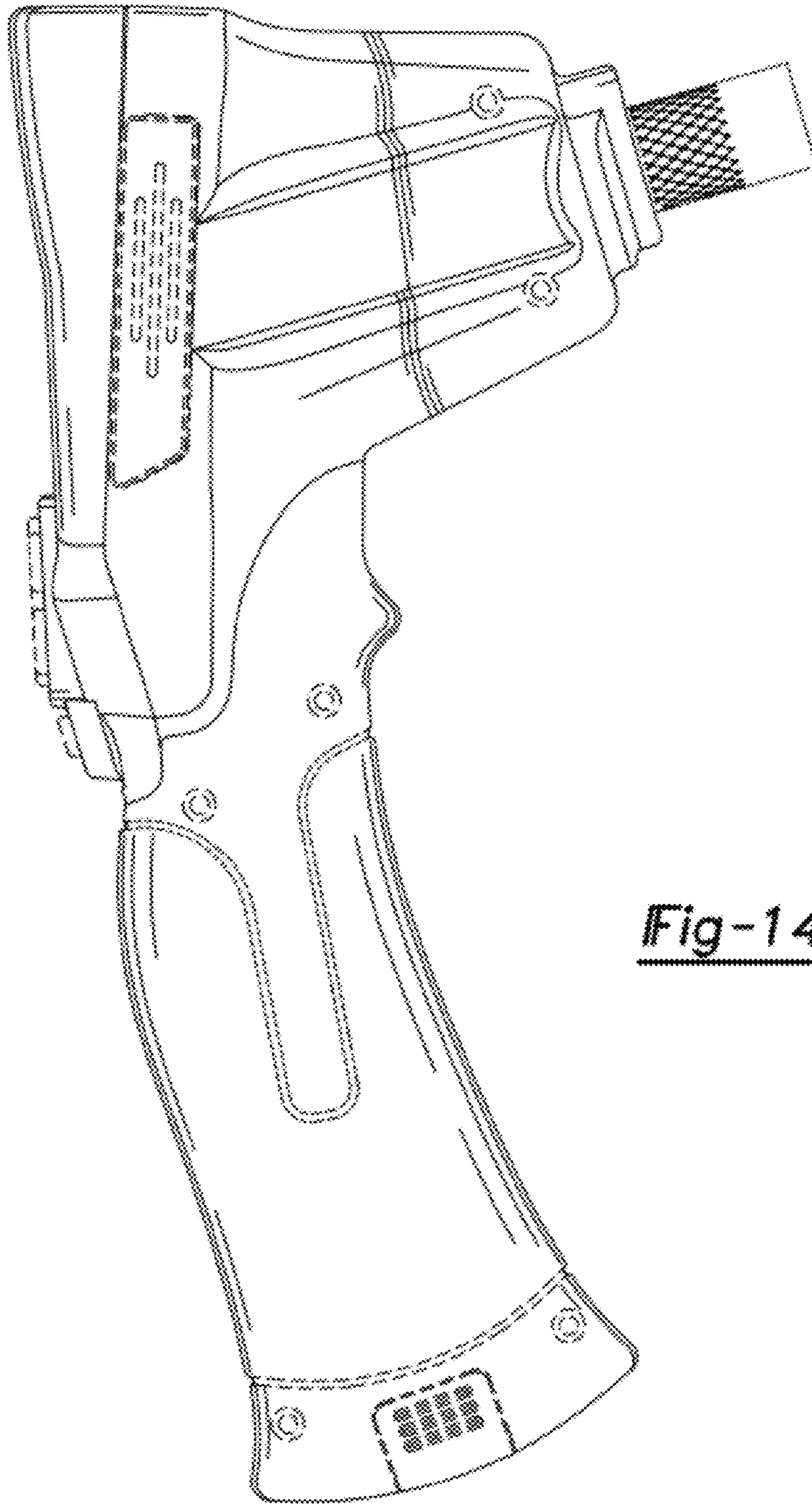


Fig-14

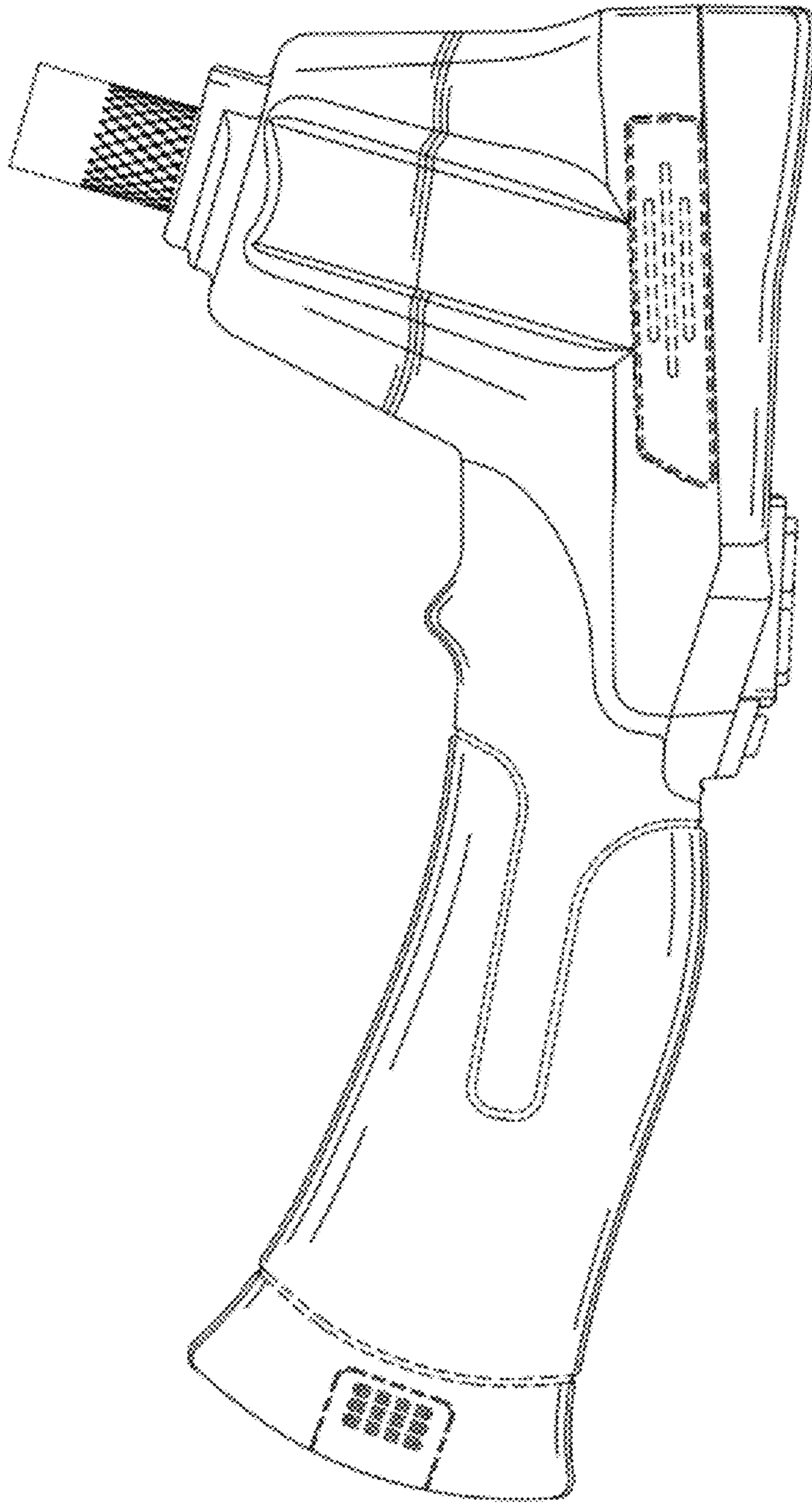


Fig-15

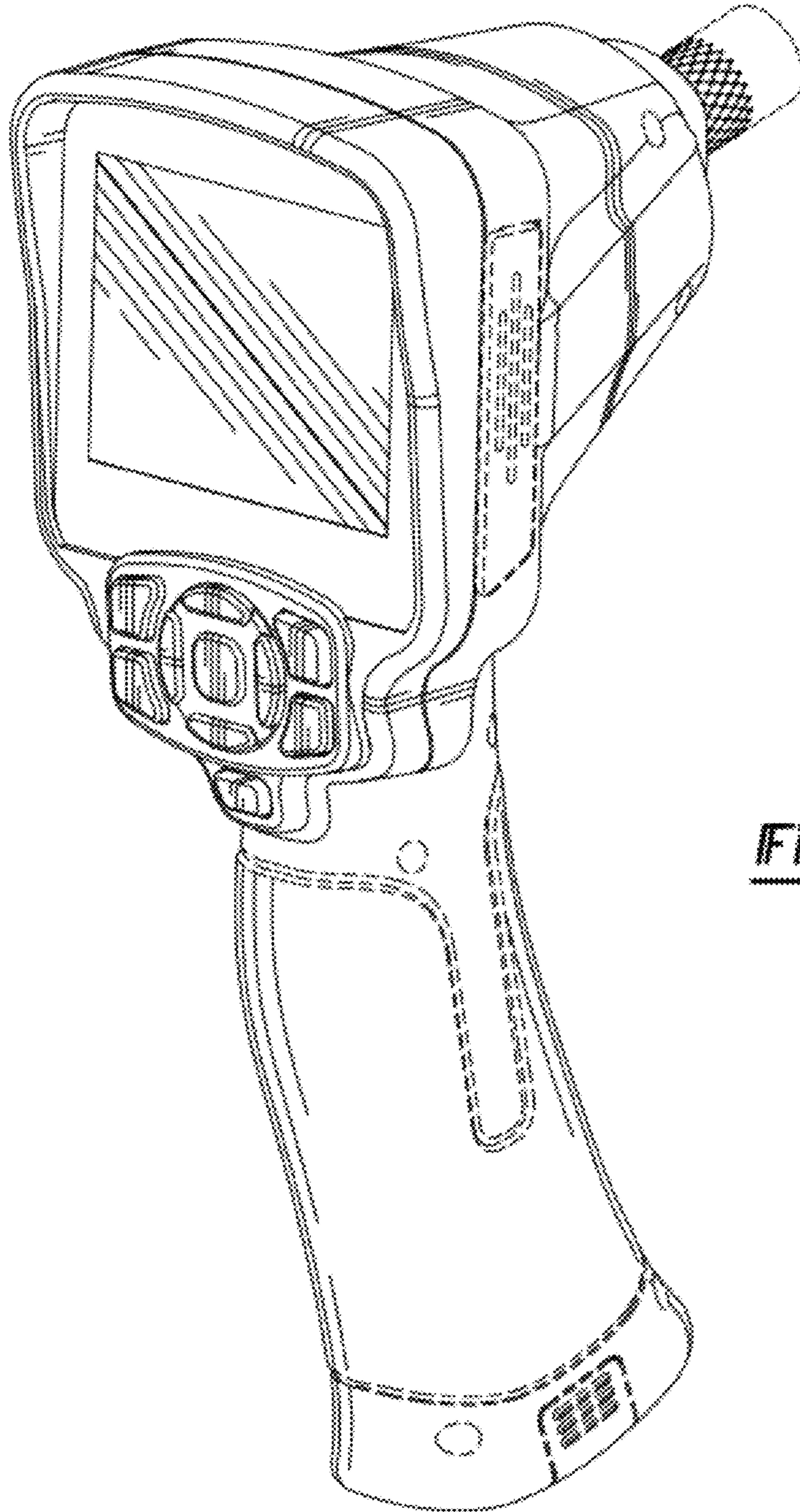


Fig-16

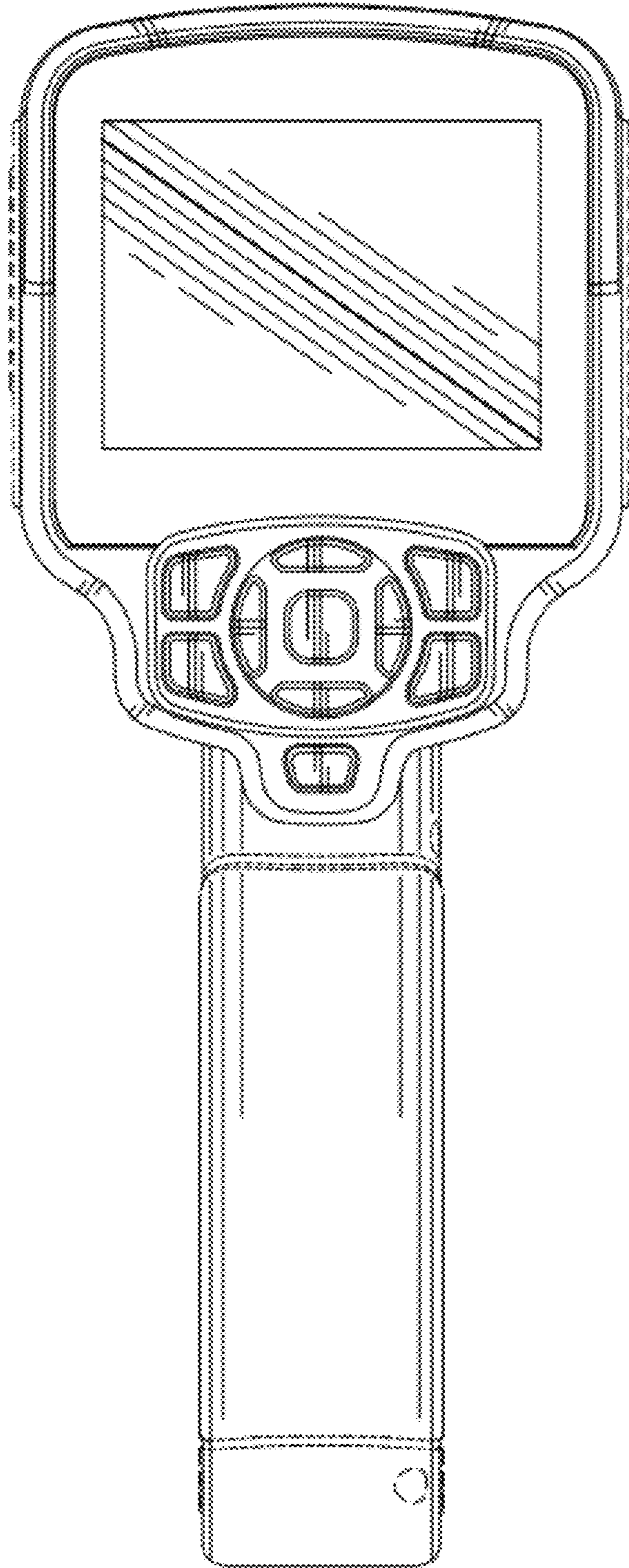


Fig-17

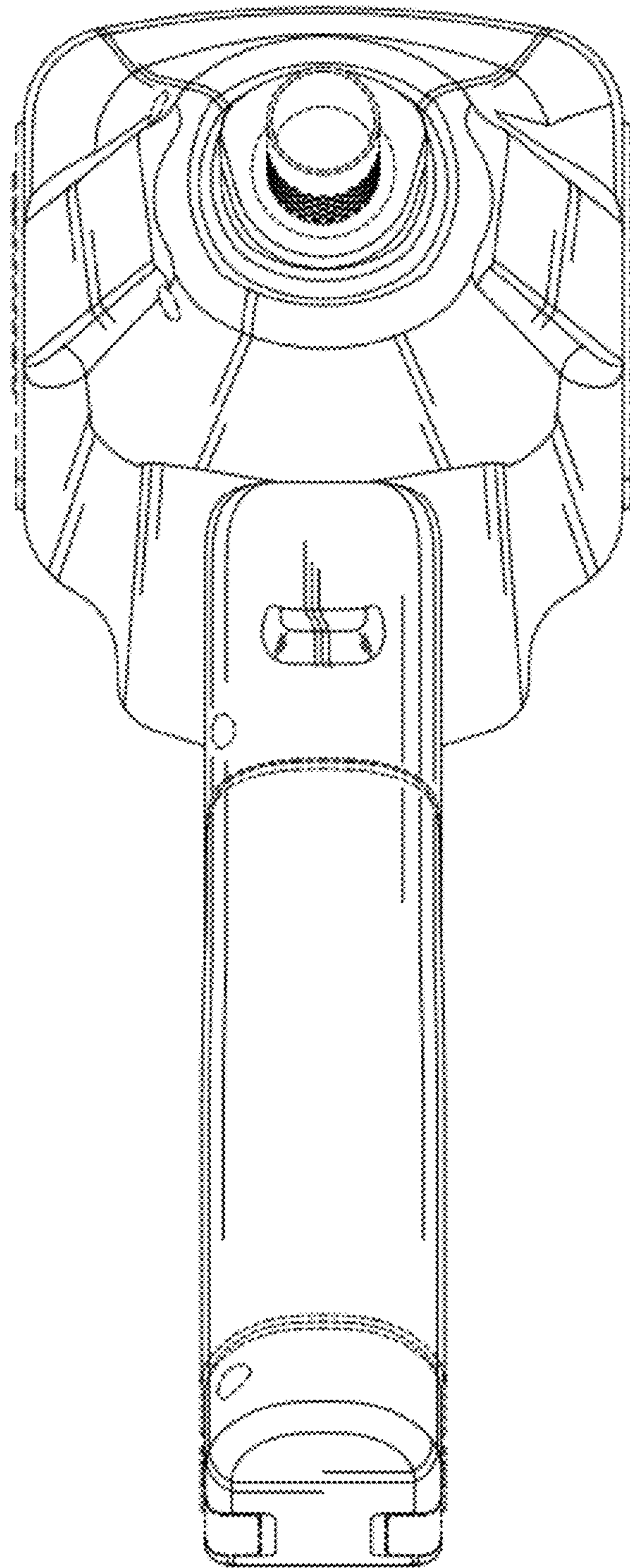


Fig-18

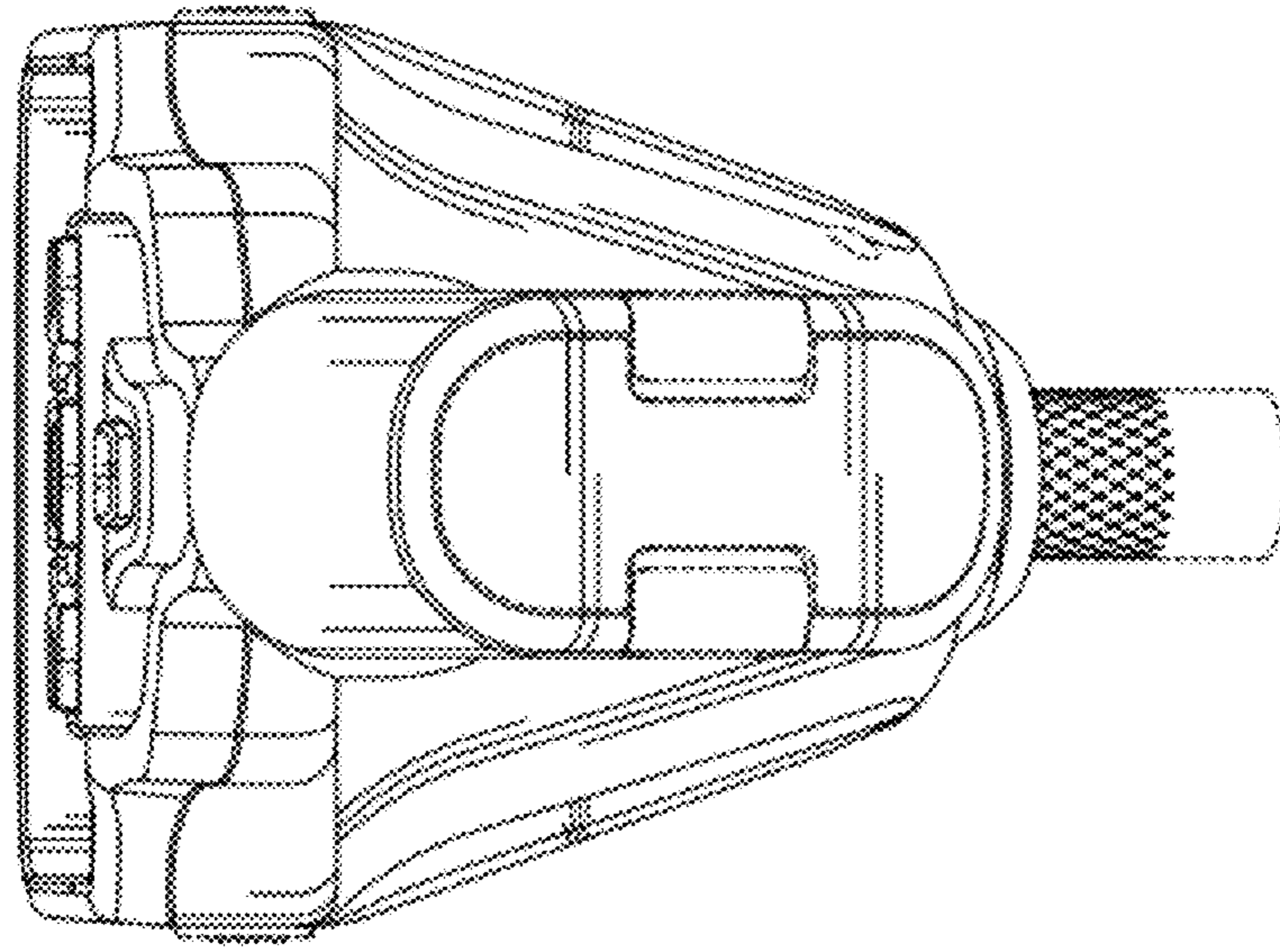


Fig-20

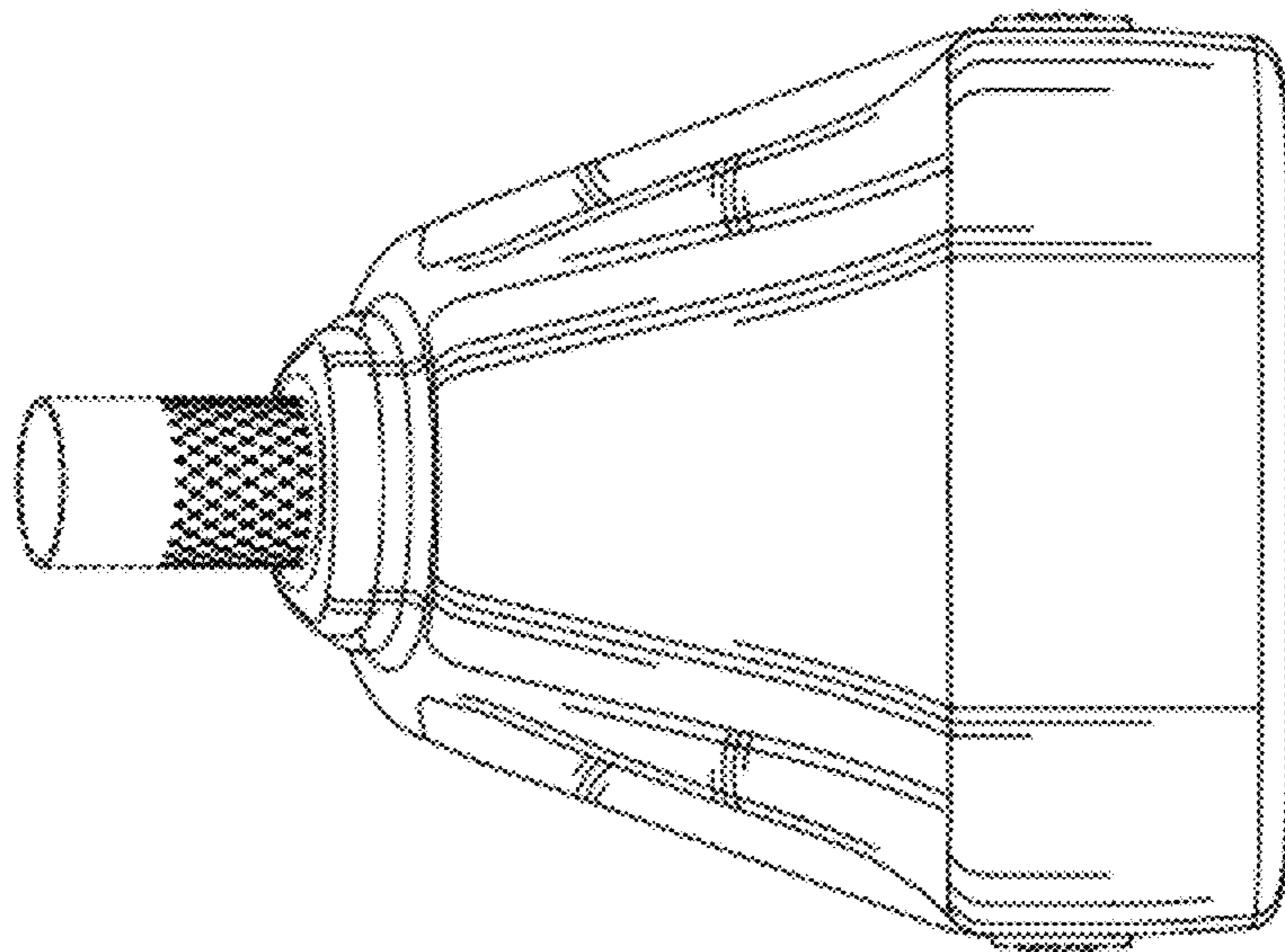


Fig-19

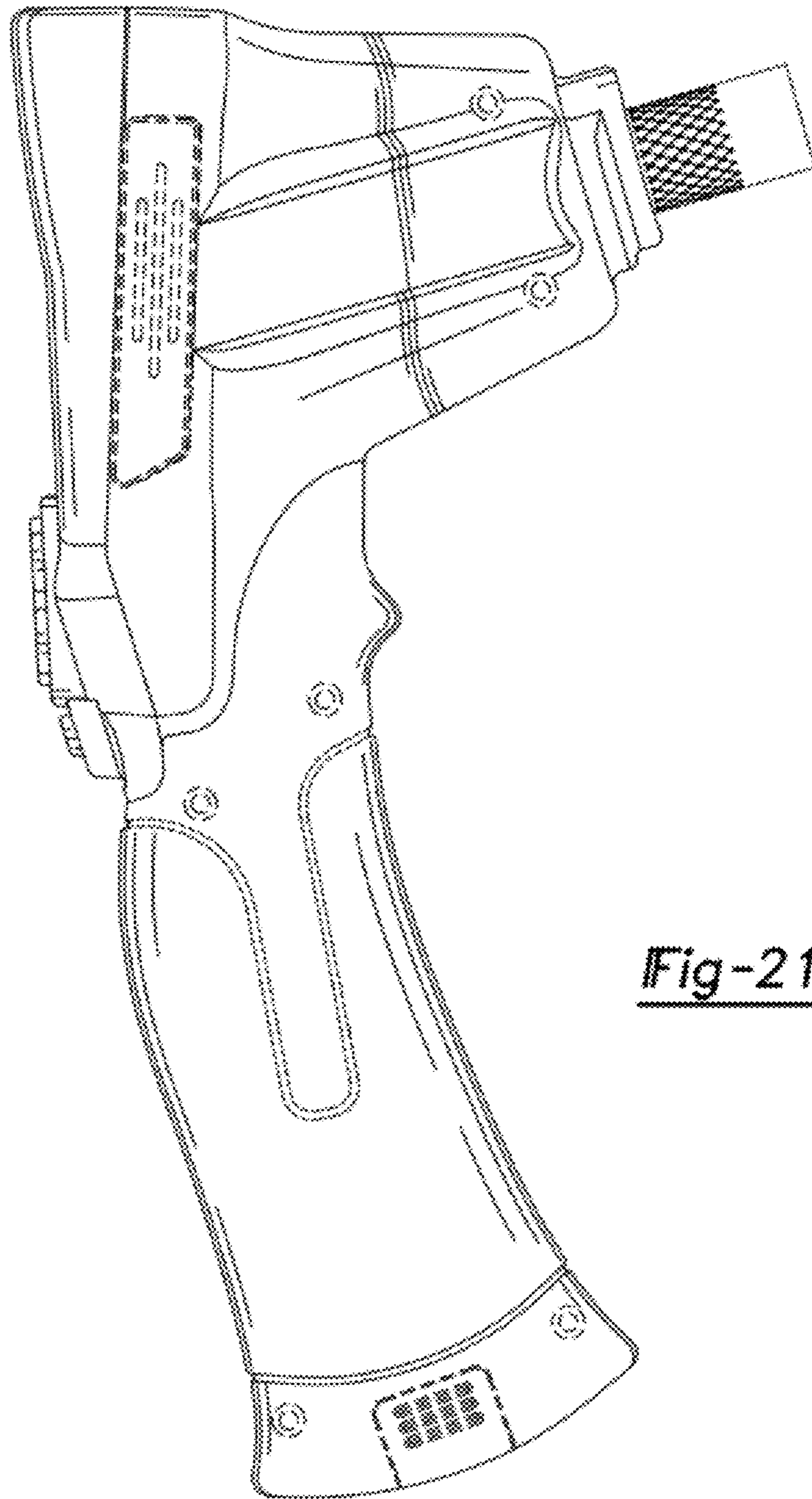


Fig-21

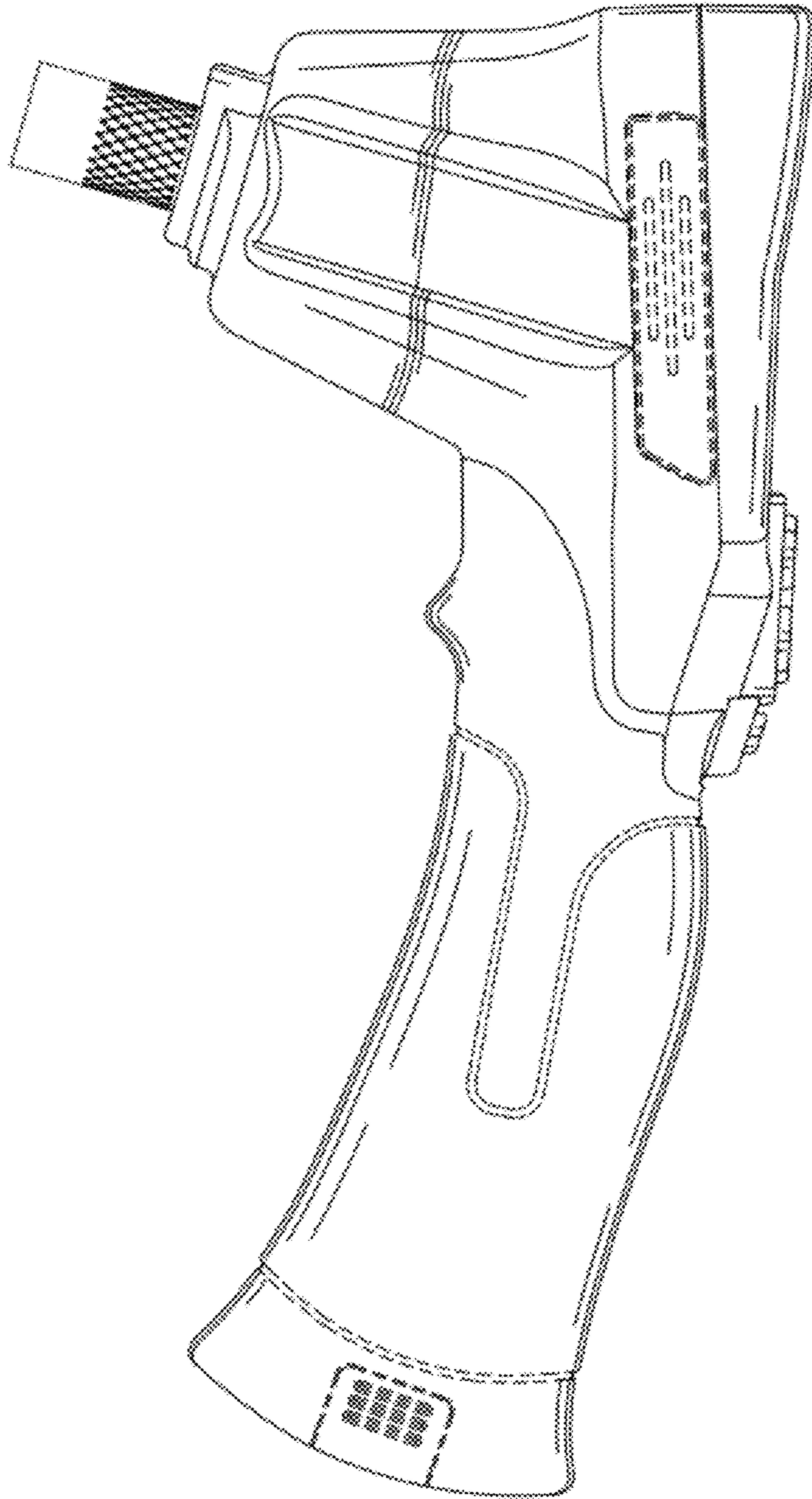


Fig-22

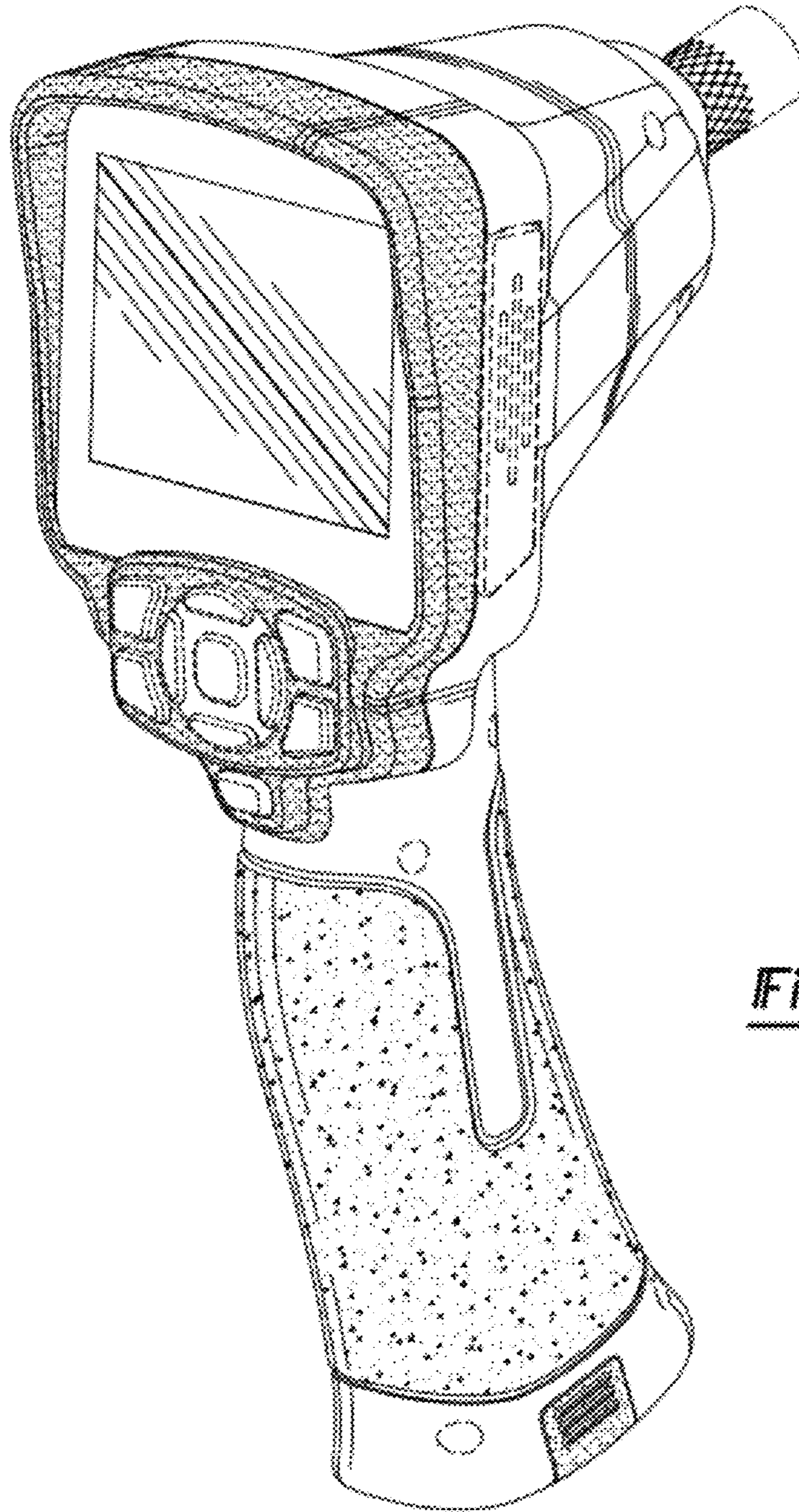


Fig-23

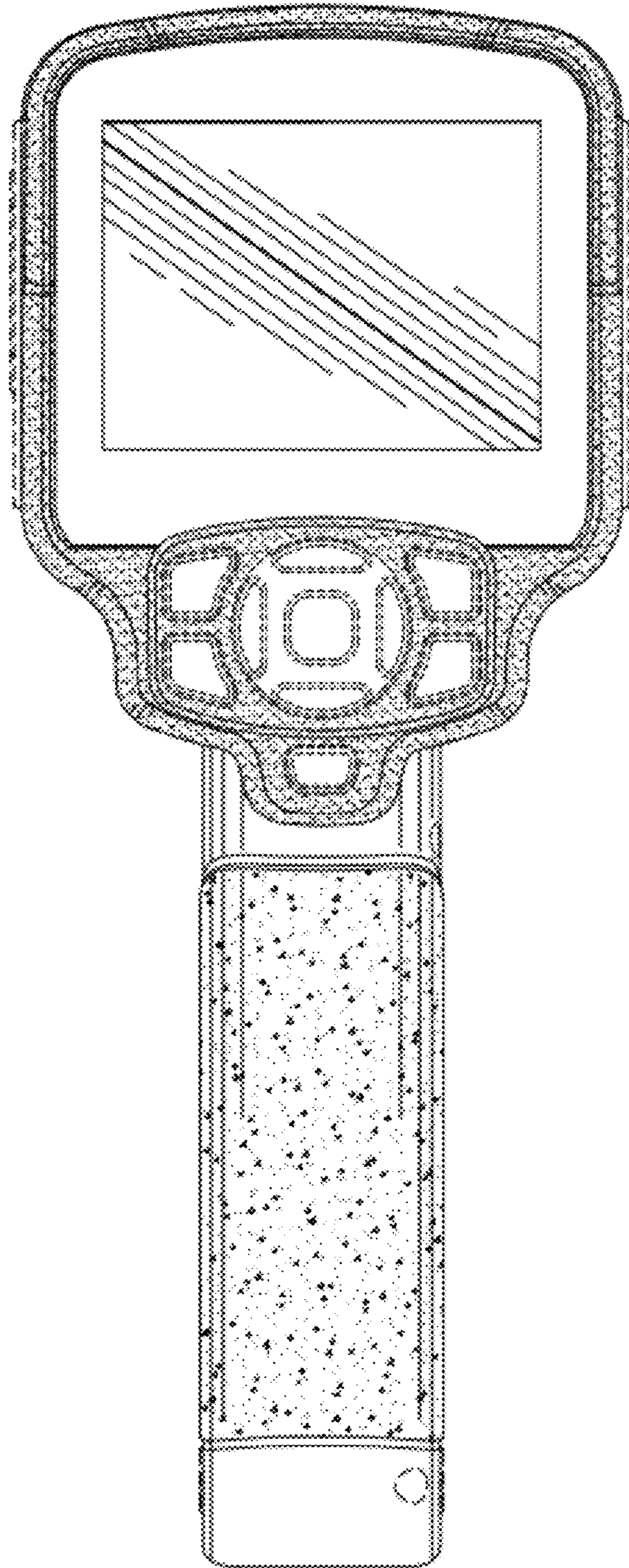


Fig-24

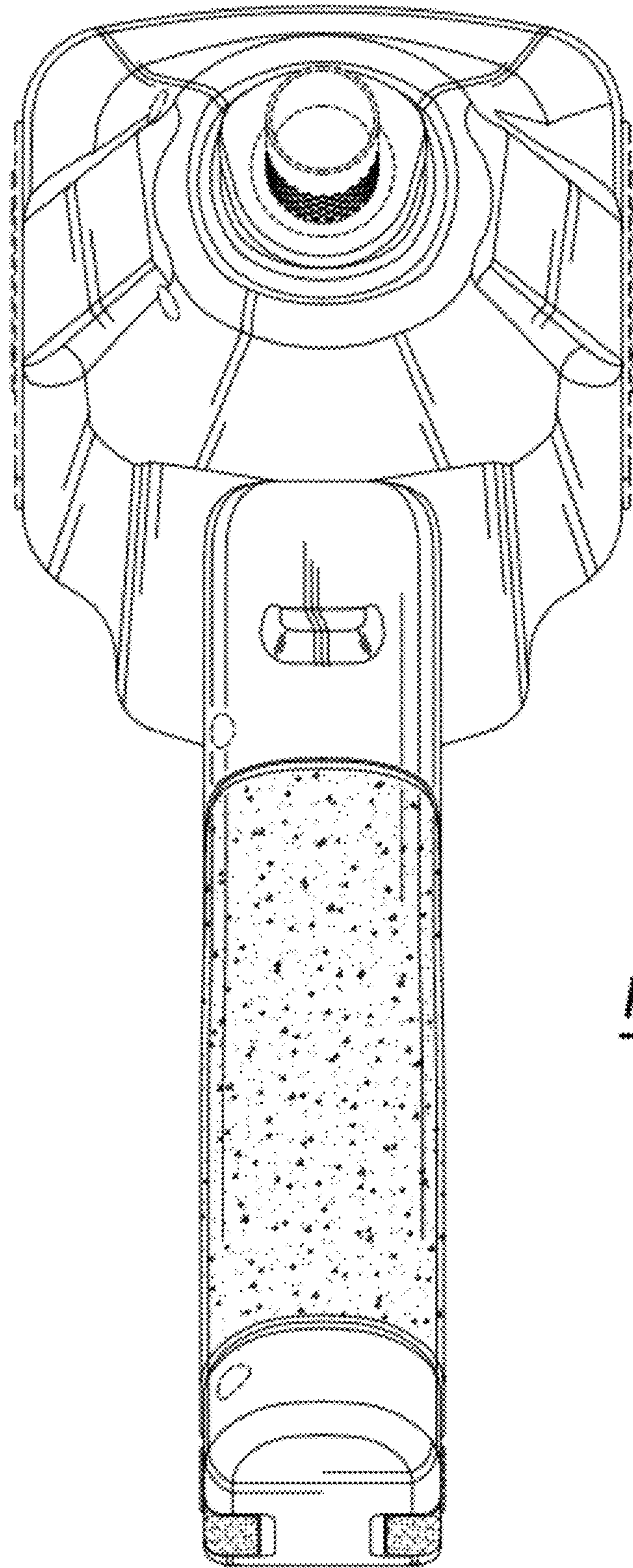


Fig-25

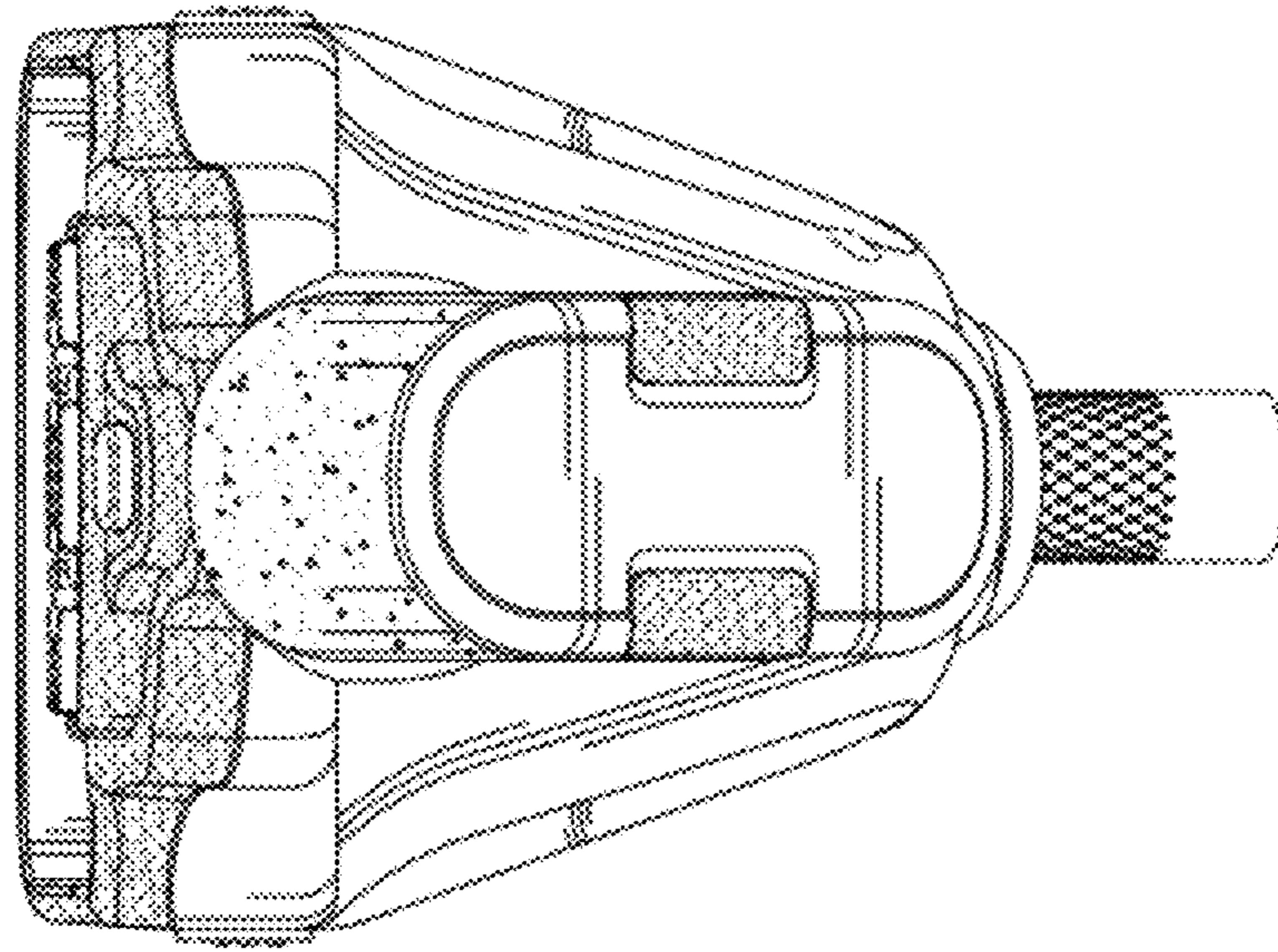


Fig-27

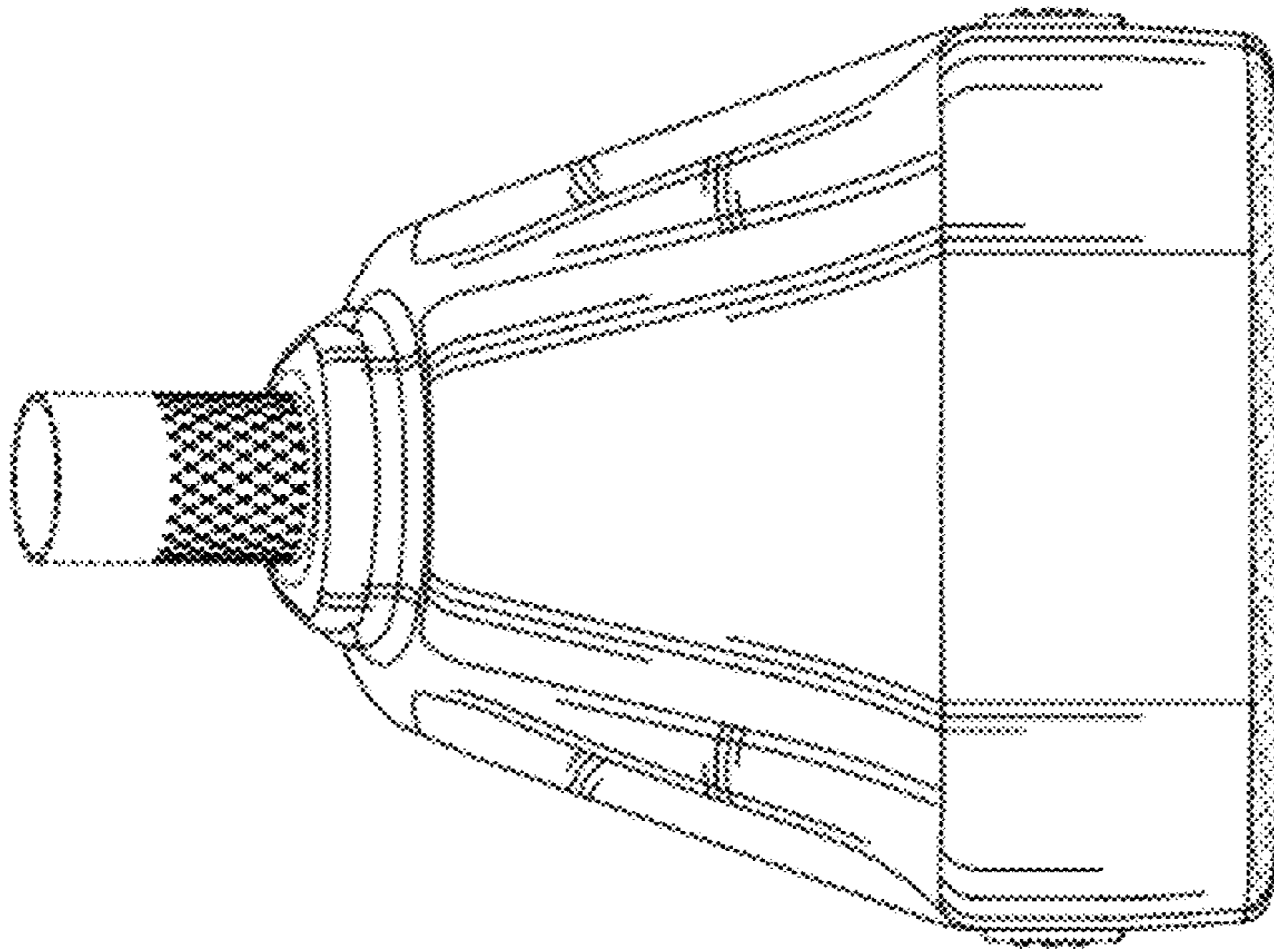


Fig-26

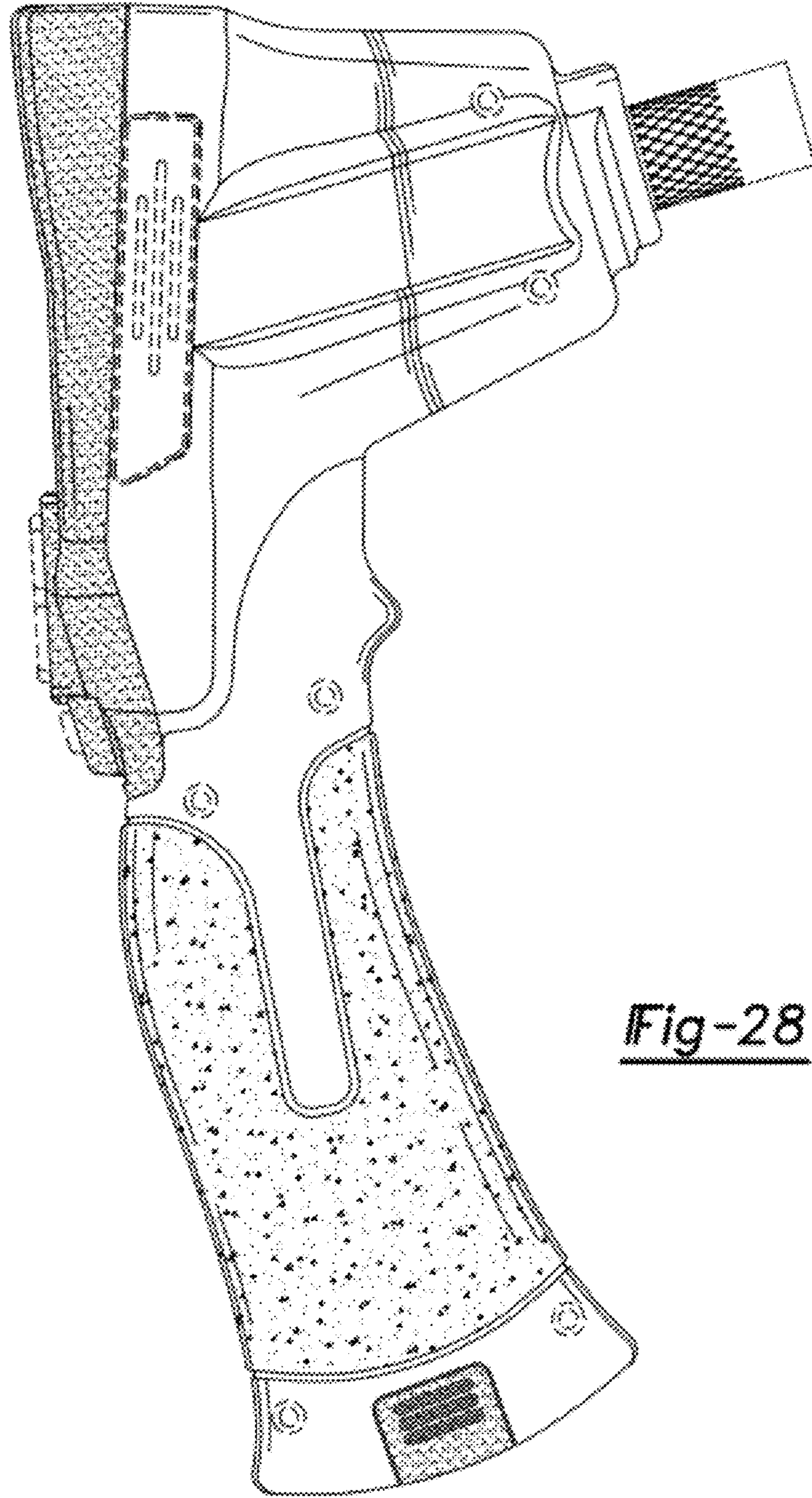


Fig-28

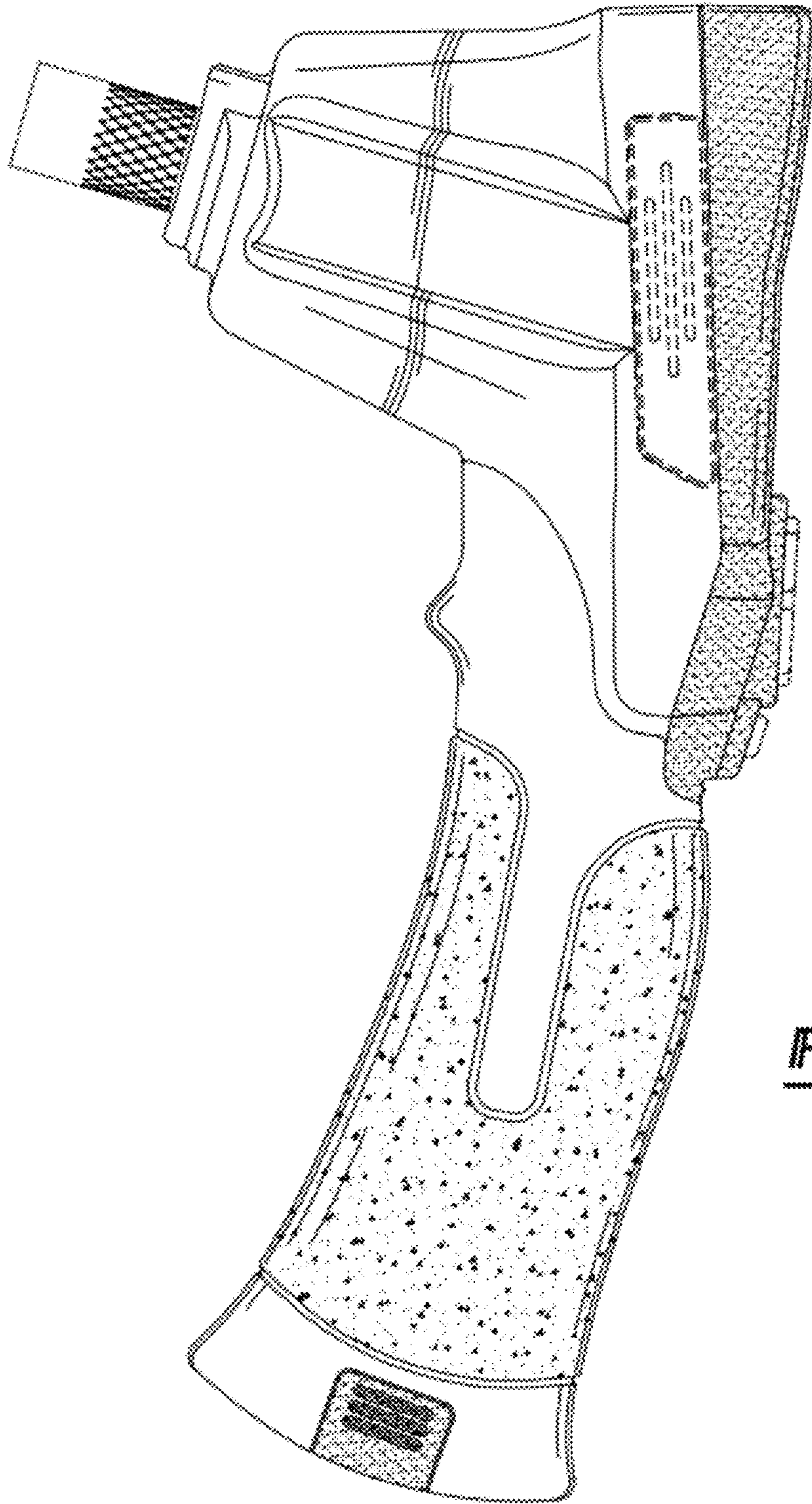


Fig-29