



US00D668565S

(12) **United States Design Patent**
Huang

(10) **Patent No.:** **US D668,565 S**

(45) **Date of Patent:** **** Oct. 9, 2012**

(54) **TAPE RULE (I)**

2008/0216337 A1* 9/2008 Chen 33/759
2008/0235975 A1* 10/2008 Chang 33/760

(75) Inventor: **Jason Huang**, Taipei (TW)

* cited by examiner

(73) Assignee: **Index Measuring Tape Co., Ltd.**, Taipei (TW)

Primary Examiner — Antoine D Davis

(74) *Attorney, Agent, or Firm* — Bacon & Thomas, PLLC

(**) Term: **14 Years**

(57) **CLAIM**

(21) Appl. No.: **29/407,299**

The ornamental design for a tape rule (I), as shown and described.

(22) Filed: **Nov. 28, 2011**

DESCRIPTION

(51) **LOC (9) Cl.** **10-04**

(52) **U.S. Cl.** **D10/72**

(58) **Field of Classification Search** D10/72,
D10/74; 33/755-771; 242/285, 291, 379,
242/379.1, 379.2, 381, 381.1-381.6, 405
See application file for complete search history.

FIG. 1 is an elevational view of a tape rule (I) showing my new design;

FIG. 2 is a front elevational view thereof;

FIG. 3 is the rear elevational view thereof;

FIG. 4 is a left side elevational view thereof;

FIG. 5 is a right side elevational view thereof;

FIG. 6 is a top plan elevational view thereof; and,

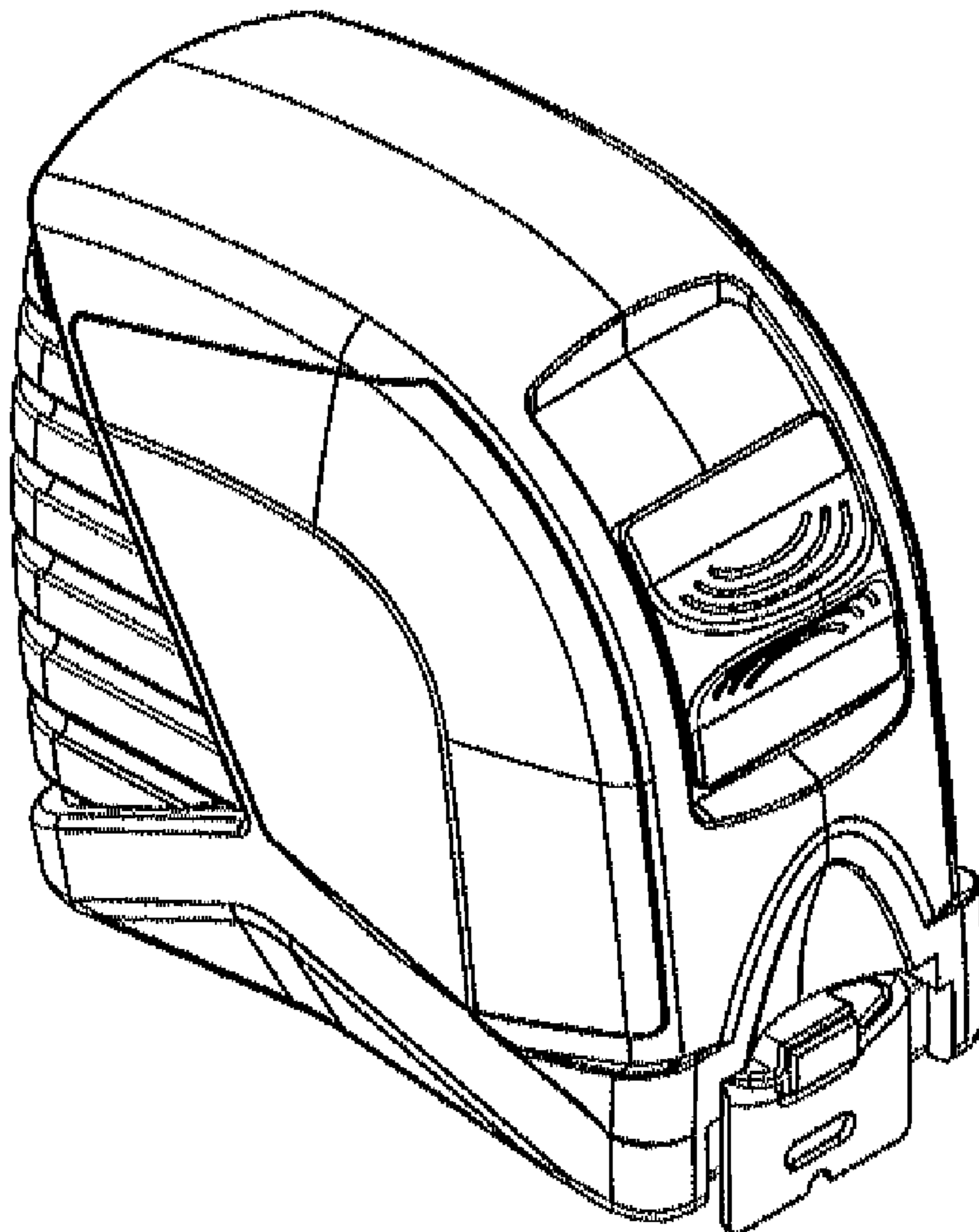
FIG. 7 is a bottom plan elevational view thereof.

(56) **References Cited**

U.S. PATENT DOCUMENTS

D432,034 S * 10/2000 Heimerle D10/72

1 Claim, 5 Drawing Sheets



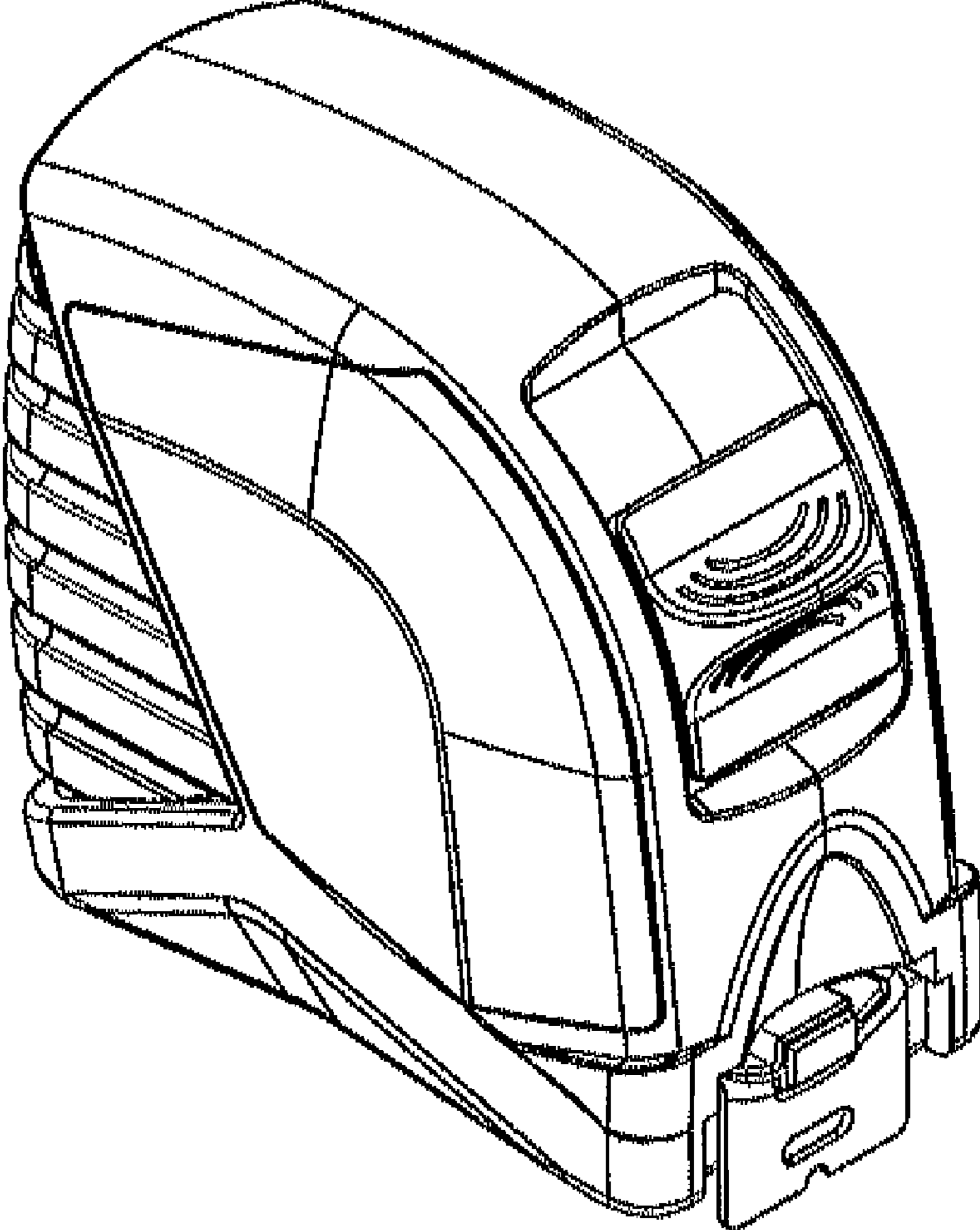


FIG. 1

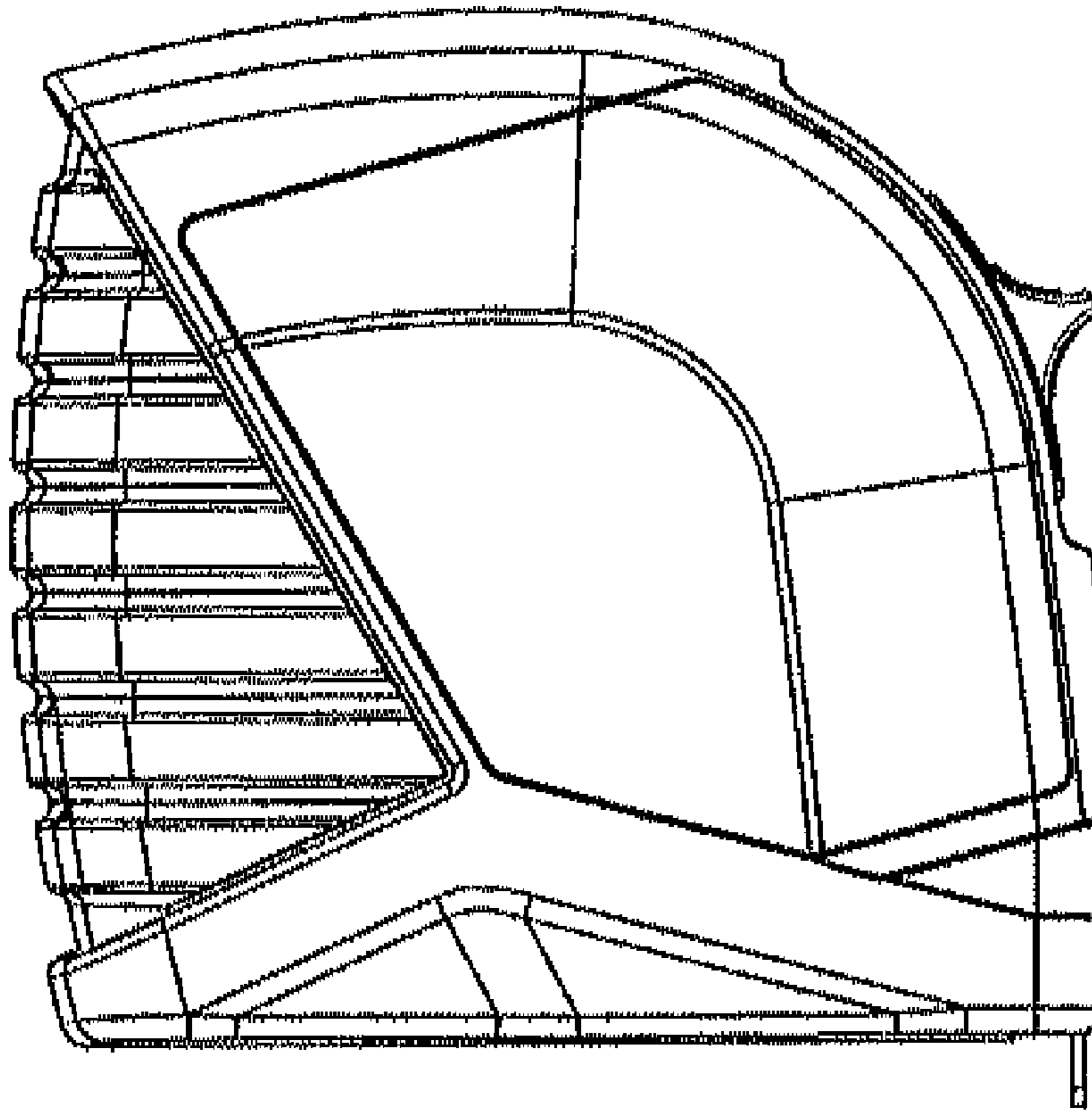


FIG. 2

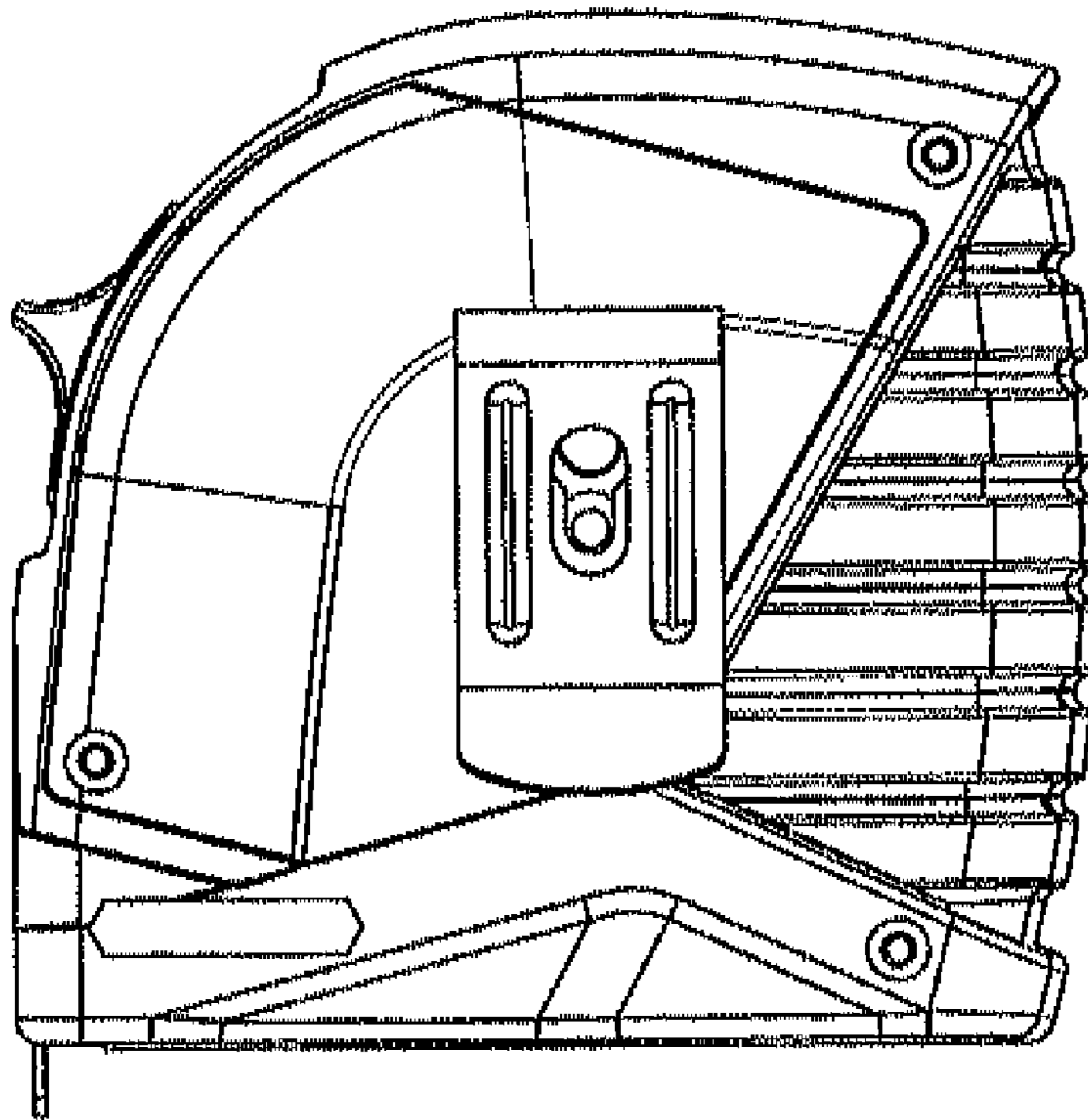


FIG. 3

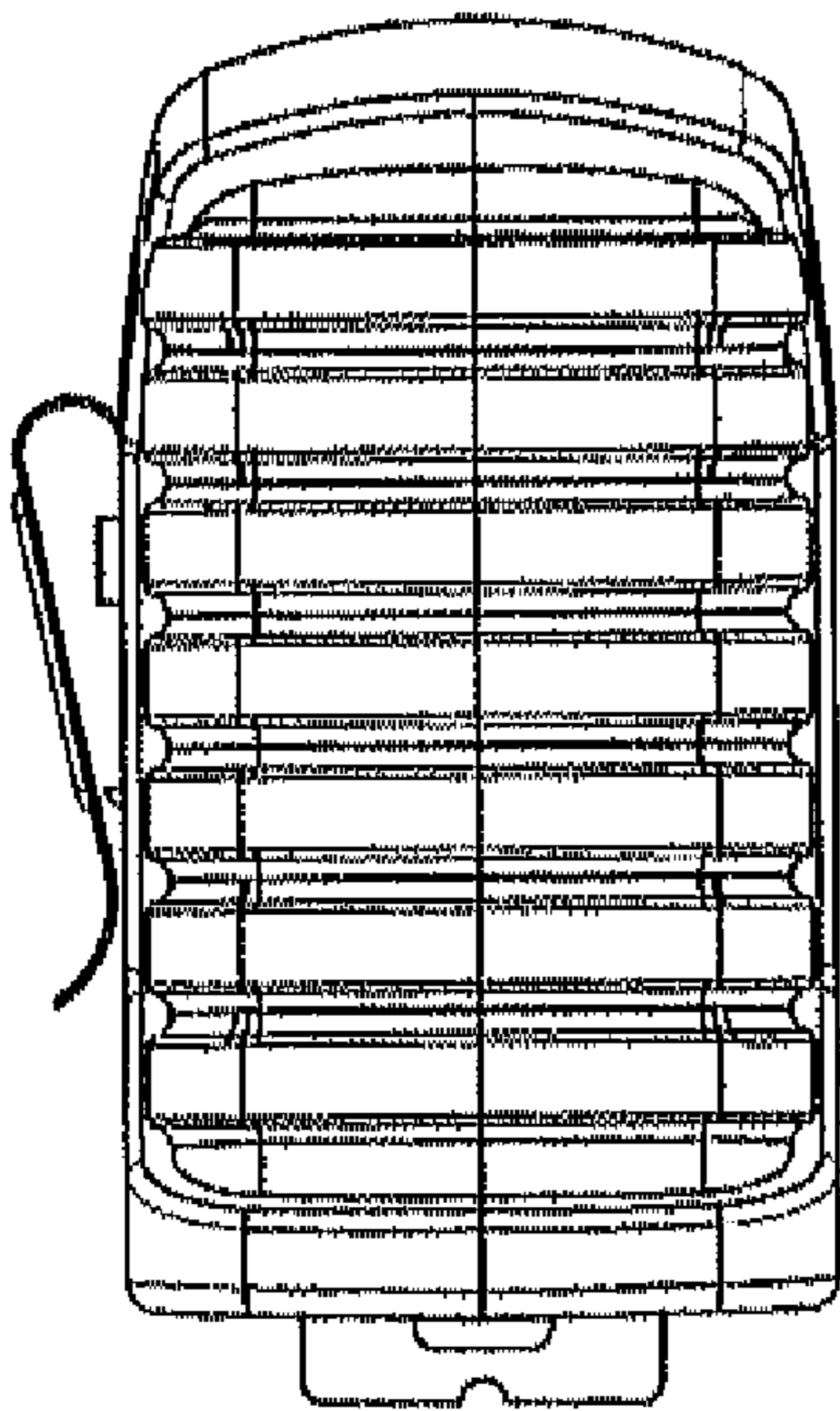


FIG. 4

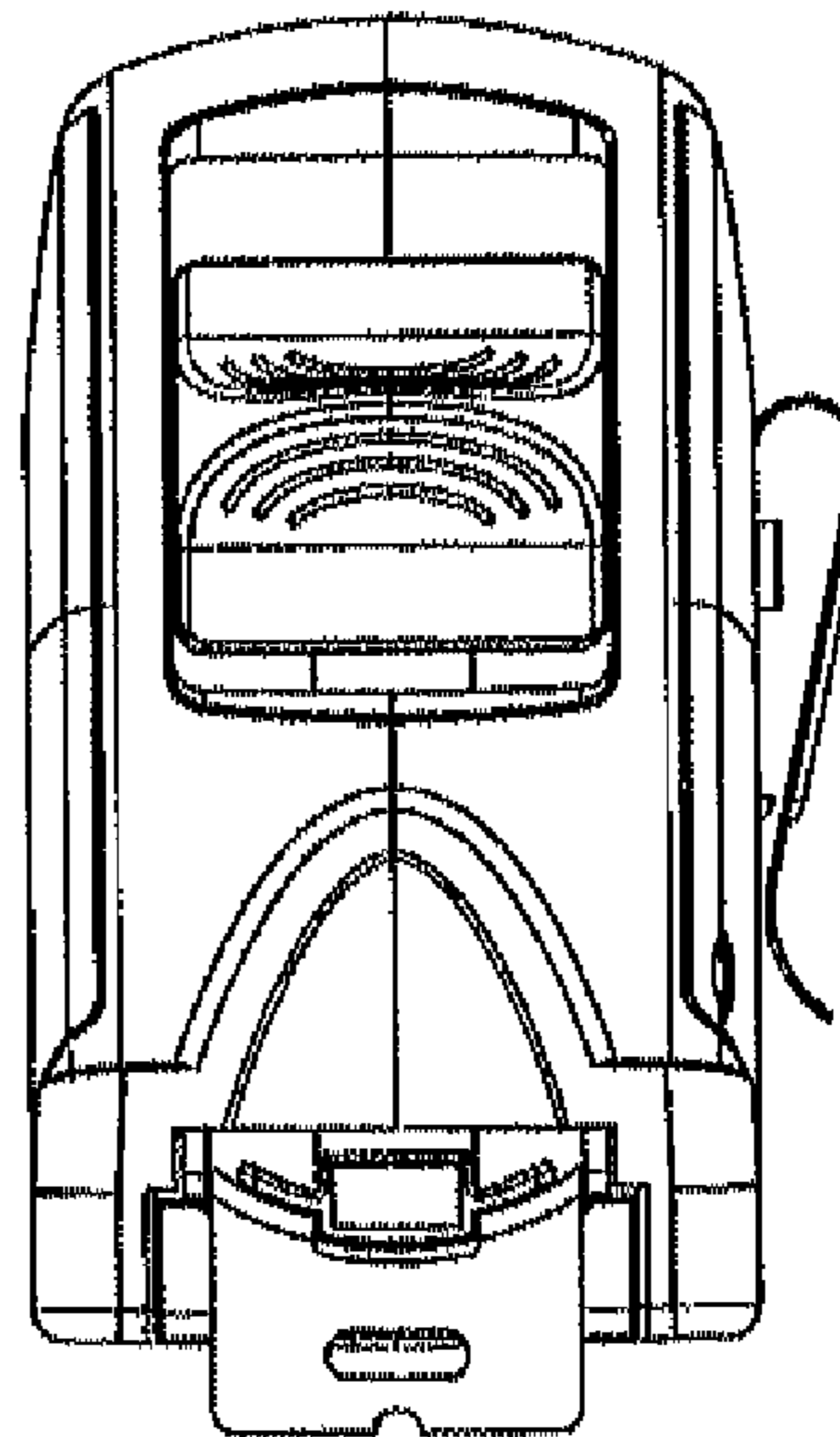


FIG. 5

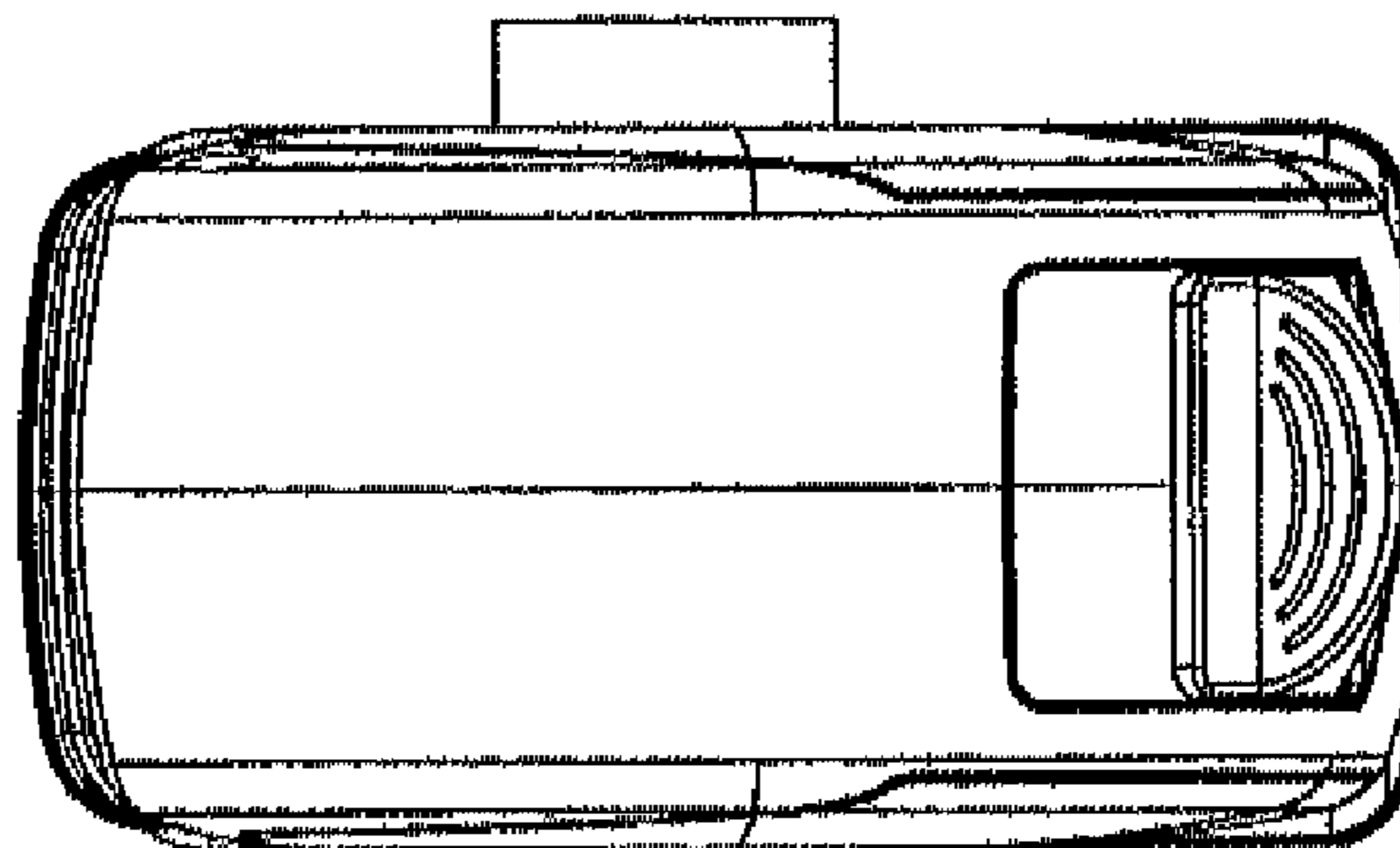


FIG. 6

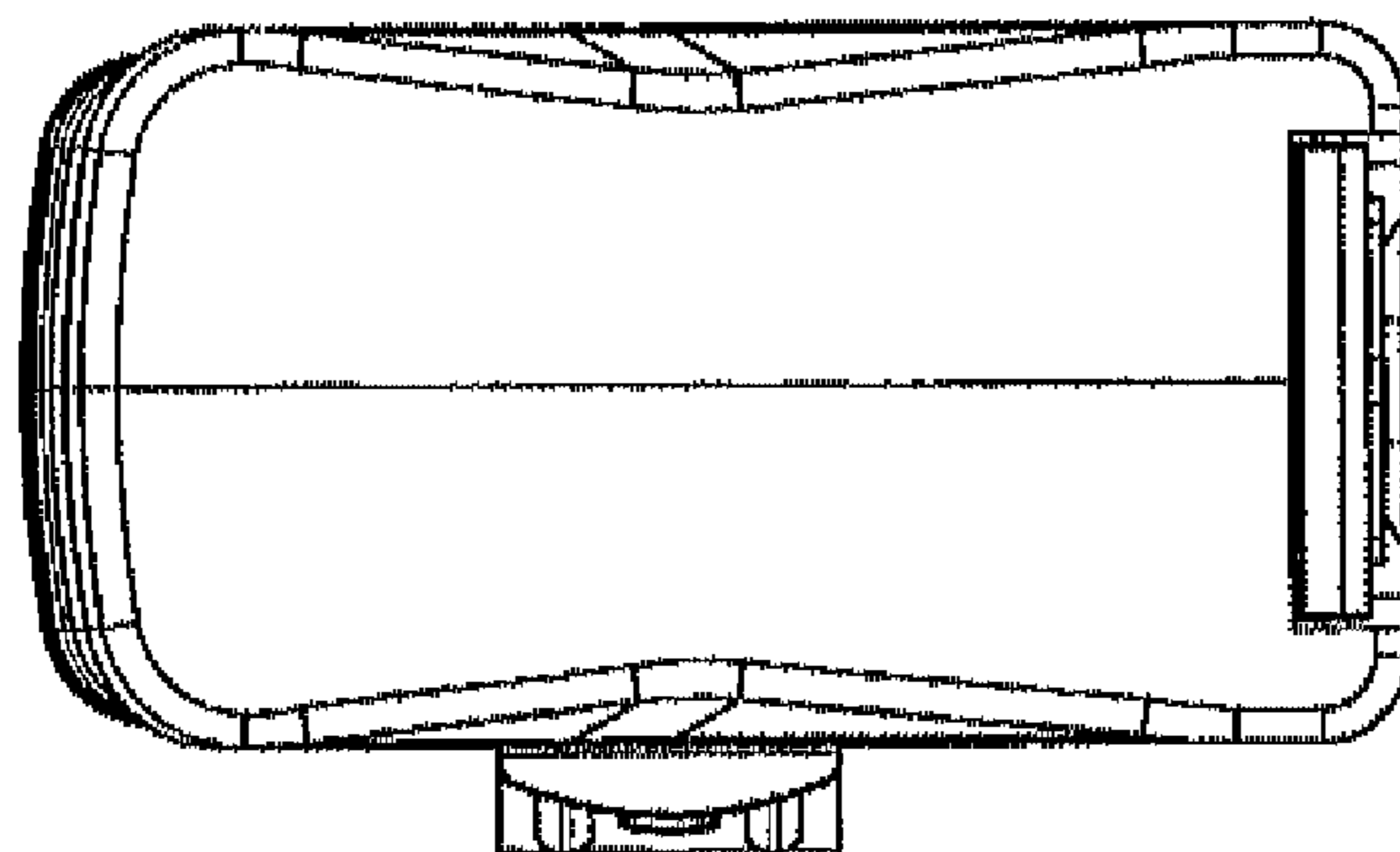


FIG. 7