

US00D668564S

(12) **United States Design Patent**
Poirier

(10) **Patent No.:** **US D668,564 S**
(45) **Date of Patent:** **** Oct. 9, 2012**

(54) **CASING OF NDT/NDI INSTRUMENT**

(75) Inventor: **Alain Poirier**, Quebec (CA)

(73) Assignee: **Olympus NDT Inc.**, Waltham, MA (US)

(**) Term: **14 Years**

(21) Appl. No.: **29/377,292**

(22) Filed: **Oct. 20, 2010**

(51) **LOC (9) Cl.** **10-04**

(52) **U.S. Cl.** **D10/70; D10/78**

(58) **Field of Classification Search** D10/70,
D10/78; 73/626, 628, 625, 602; 356/237.1-237.5,
356/601, 607, 608, 614, 615, 625; 367/901;
382/8, 18, 55, 141, 449, 286; 600/442, 447,
600/448; 702/191, 280

See application file for complete search history.

(56) **References Cited**

U.S. PATENT DOCUMENTS

D397,049 S *	8/1998	Mohammadian et al.	D10/78
D570,716 S *	6/2008	Gerold	D10/78
D572,615 S *	7/2008	Gerold	D10/78
D579,361 S *	10/2008	Wen	D10/78
D606,432 S *	12/2009	Winterhalter et al.	D10/78
D606,433 S *	12/2009	Whitcomb et al.	D10/78

* cited by examiner

Primary Examiner — Antoine D Davis

(74) *Attorney, Agent, or Firm* — Ostrolenk Faber LLP

(57) **CLAIM**

The ornamental design of a casing for NDT/NDI instrument herein, as shown and described.

DESCRIPTION

FIG. 1 is a front view of the presently disclosed casing design including the extended, rounded corners and bridging (approximately 45°) facets at all corners of the NDT instrument.

FIG. 2 is a top view of the presently disclosed casing design including the extended, rounded corners and bridging (approximately 45°) facets at all corners of the NDT instrument. FIG. 3 is a left view of the presently disclosed casing design including the extended, rounded corners and bridging (approximately 45°) facets at all corners of the NDT instrument. FIG. 4 is a right view of the presently disclosed casing design, including the extended, rounded corners and bridging (approximately 45°) facets at all corners of the NDT instrument. FIG. 5 is a bottom view of the presently disclosed casing design including the extended, rounded corners and bridging (approximately 45°) facets at all corners of the NDT instrument.

FIG. 6 is a back view of the presently disclosed casing design including the extended, rounded corners and bridging (approximately 45°) facets at all corners of the NDT instrument. FIG. 7 is a front view of an alternative embodiment of the presently disclosed casing design, including the extended, rounded corners and bridging (approximately 45°) facets at all corners of the NDT instrument.

FIG. 8 is a top view of the alternative embodiment of the presently disclosed casing design, including the extended, rounded corners and bridging (approximately 45°) facets at all corners of the NDT instrument.

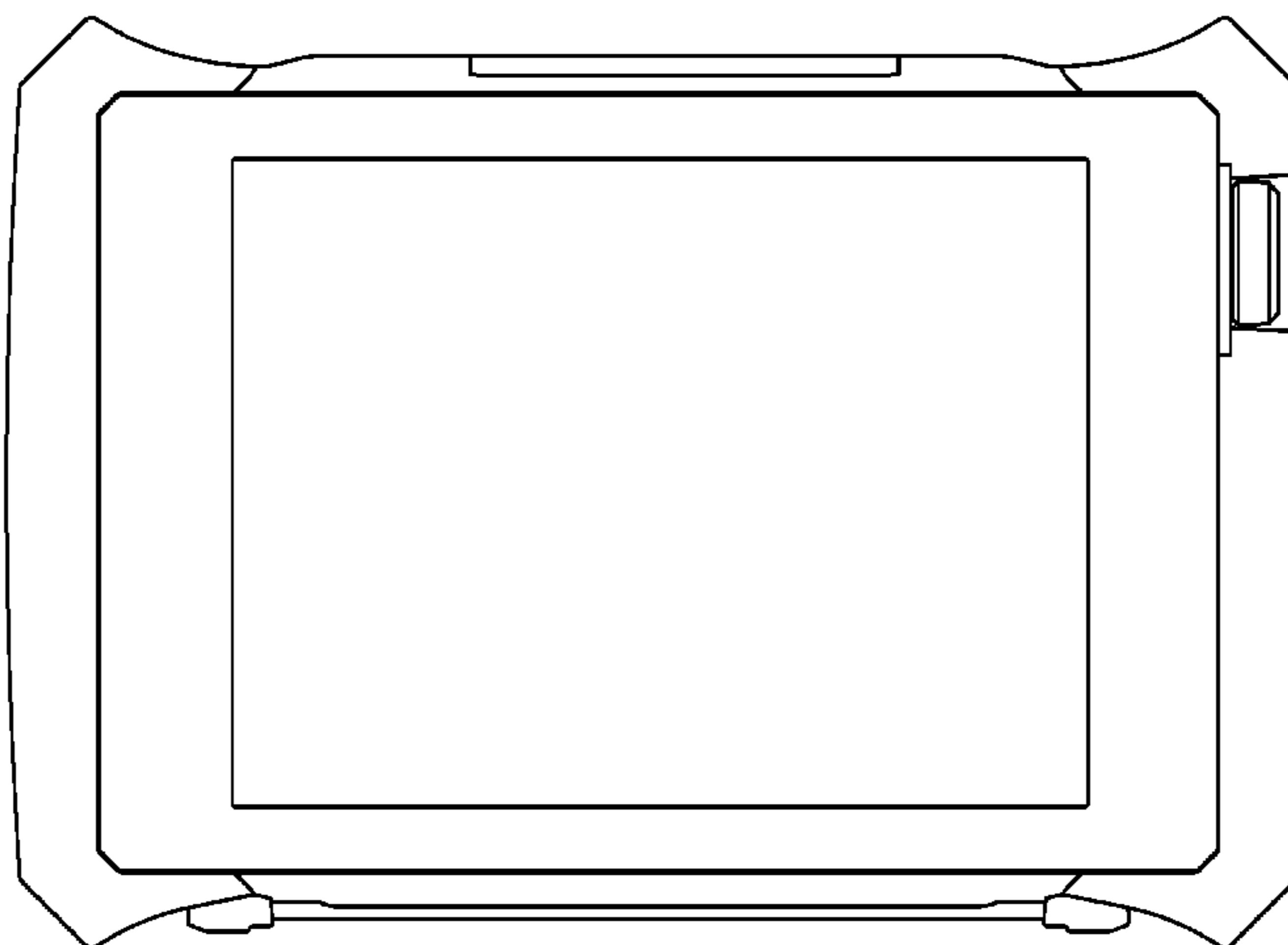
FIG. 9 is a left view of the alternative embodiment of the presently disclosed casing design, including the extended, rounded corners and bridging (approximately 45°) facets at all corners of the NDT instrument.

FIG. 10 is a right view of the alternative embodiment of the presently disclosed casing design, including the extended, rounded corners and bridging (approximately 45°) facets at all corners of the NDT instrument.

FIG. 11 is a bottom view of the alternative embodiment of the presently disclosed casing design, including the extended, rounded corners and bridging (approximately 45°) facets at all corners of the NDT instrument; and,

FIG. 12 is a back view of the alternative embodiment of the presently disclosed casing design, including the extended, rounded corners and bridging (approximately 45°) facets at all corners of the NDT instrument.

1 Claim, 12 Drawing Sheets



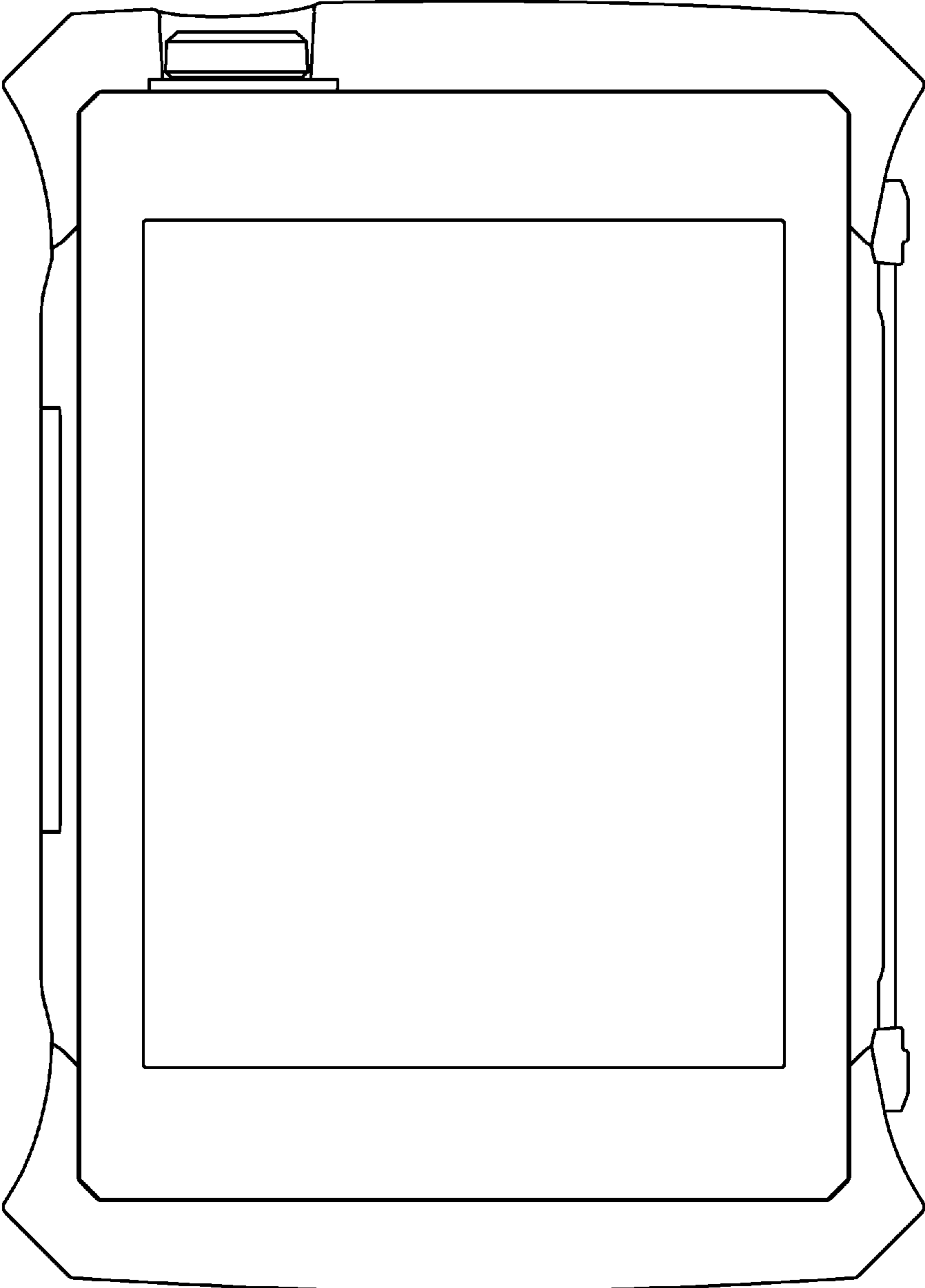


Fig. 1

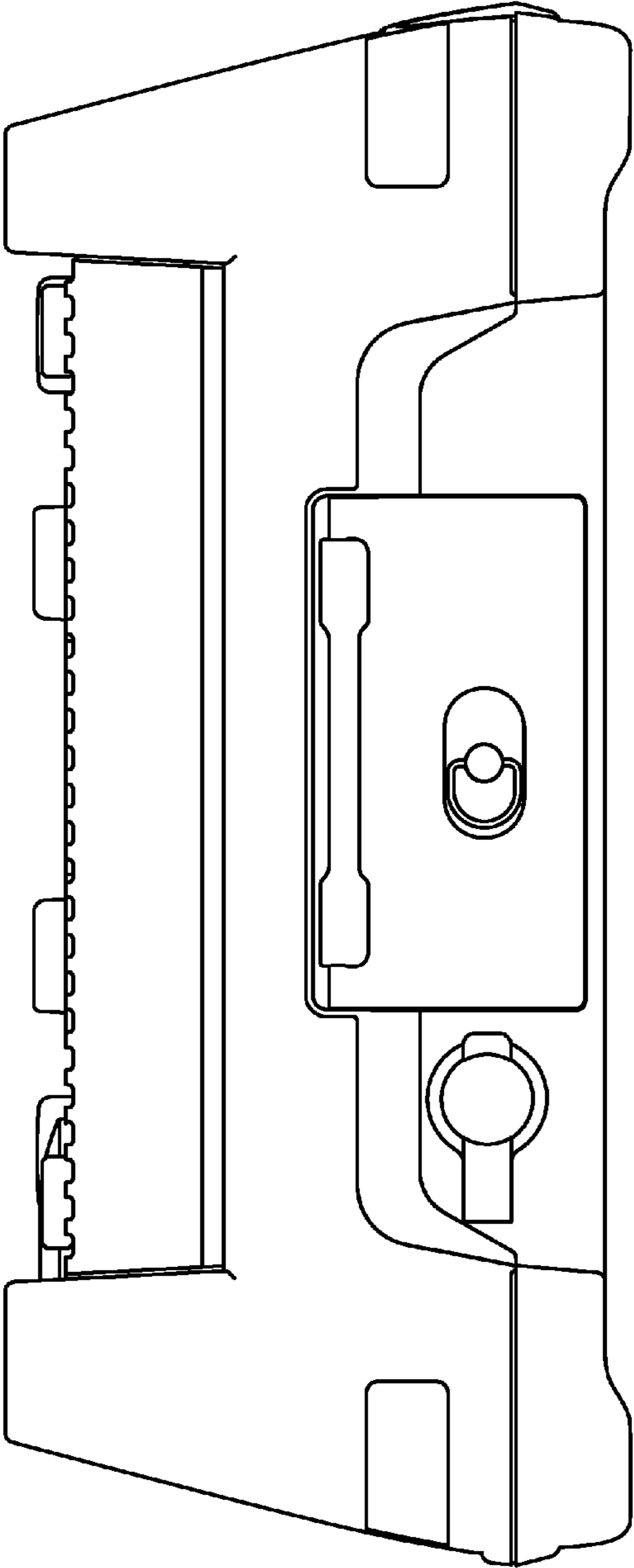


Fig. 2

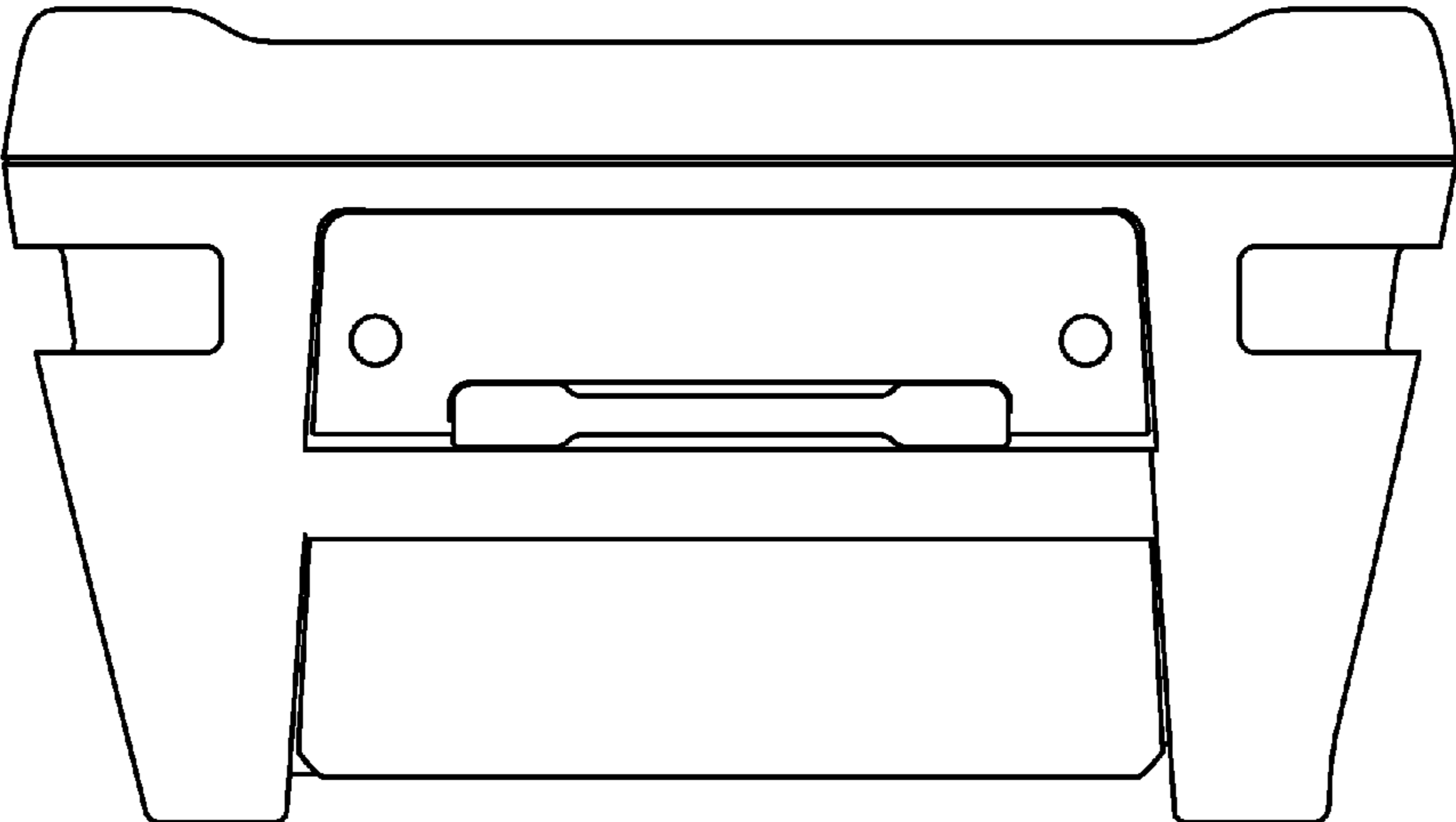


Fig. 3

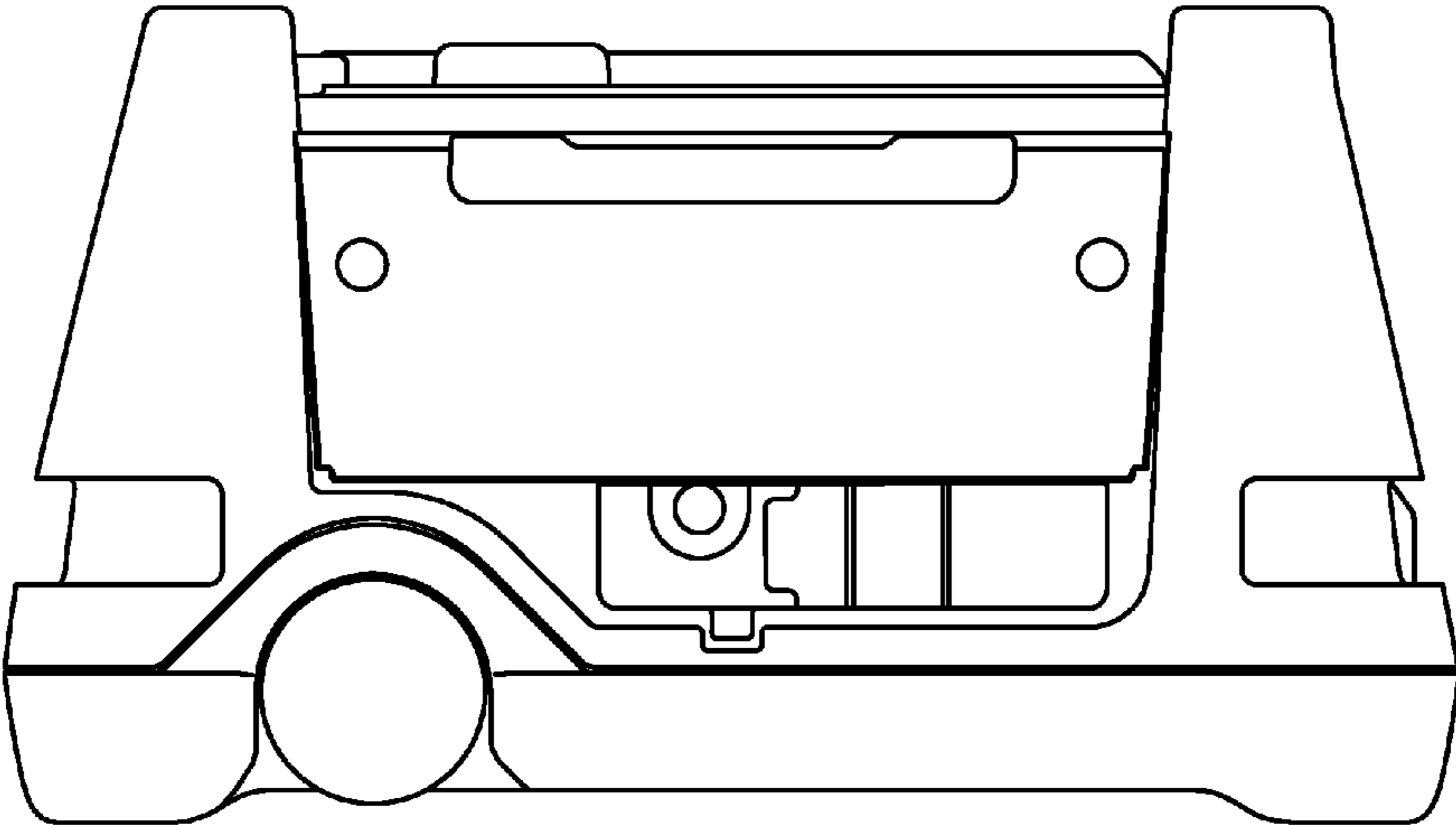


Fig. 4

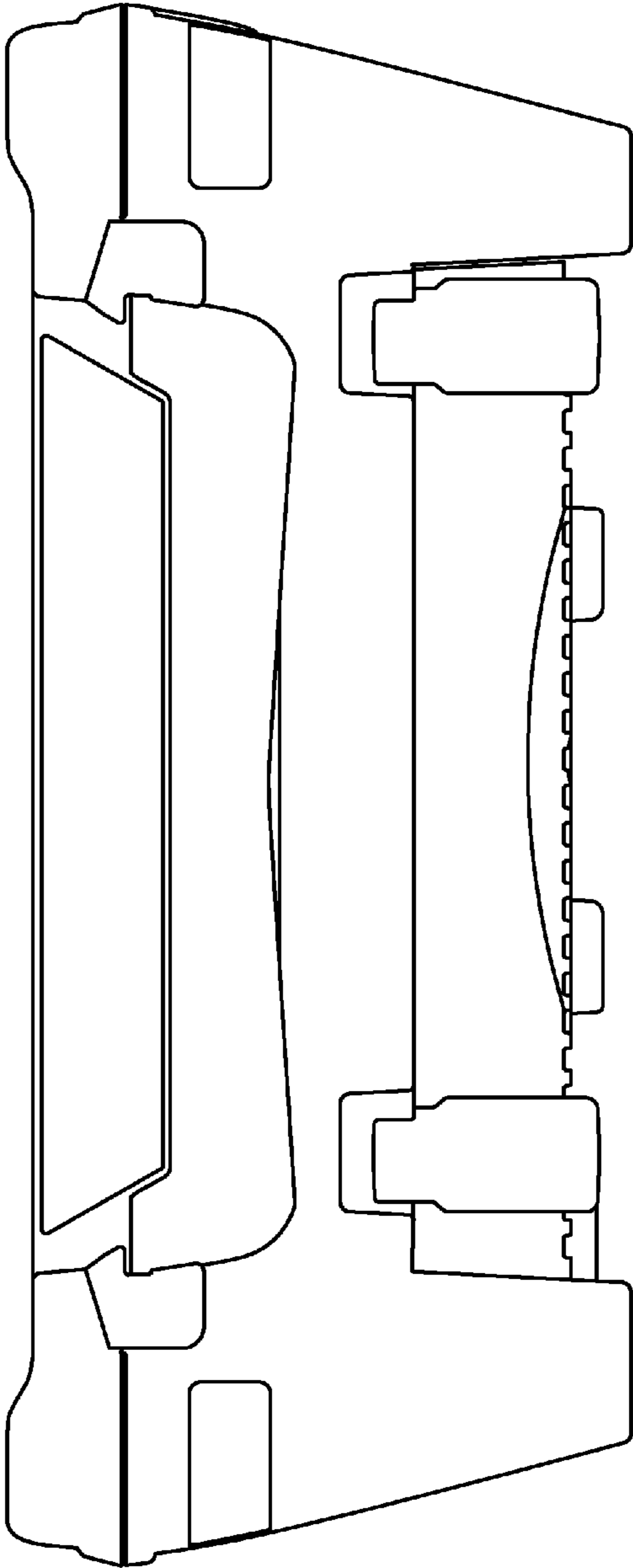


Fig. 5

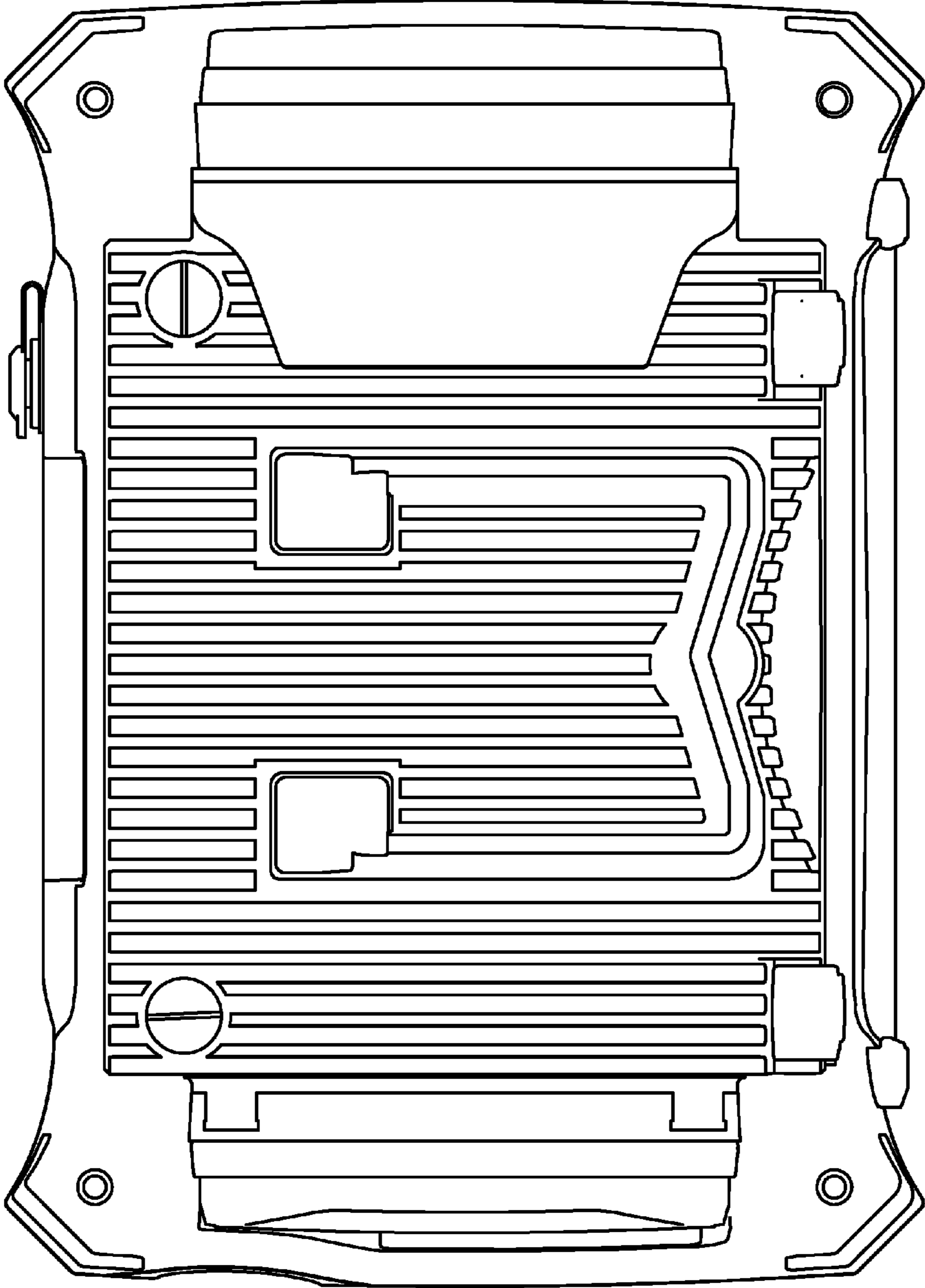


Fig. 6

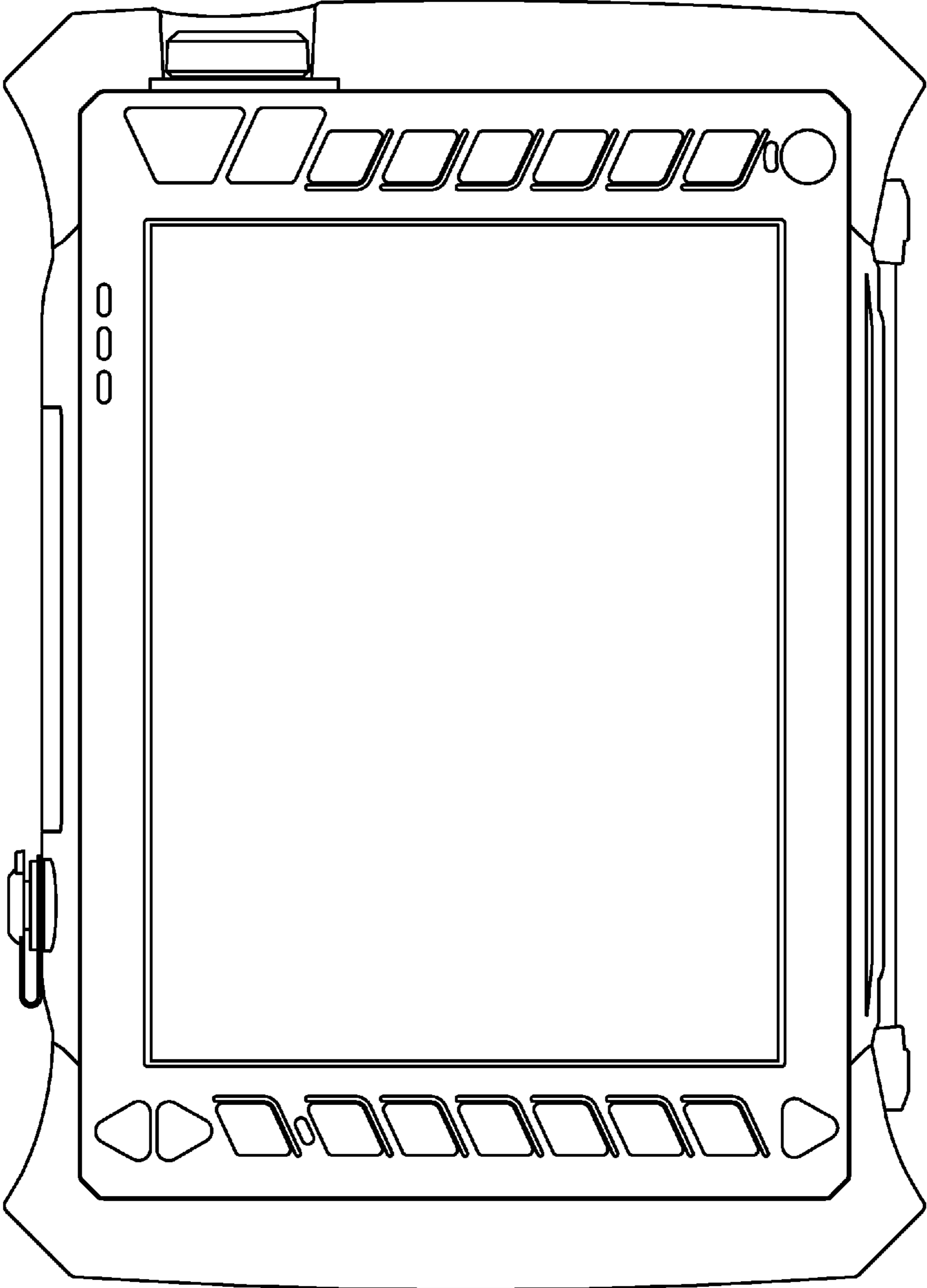


Fig. 7

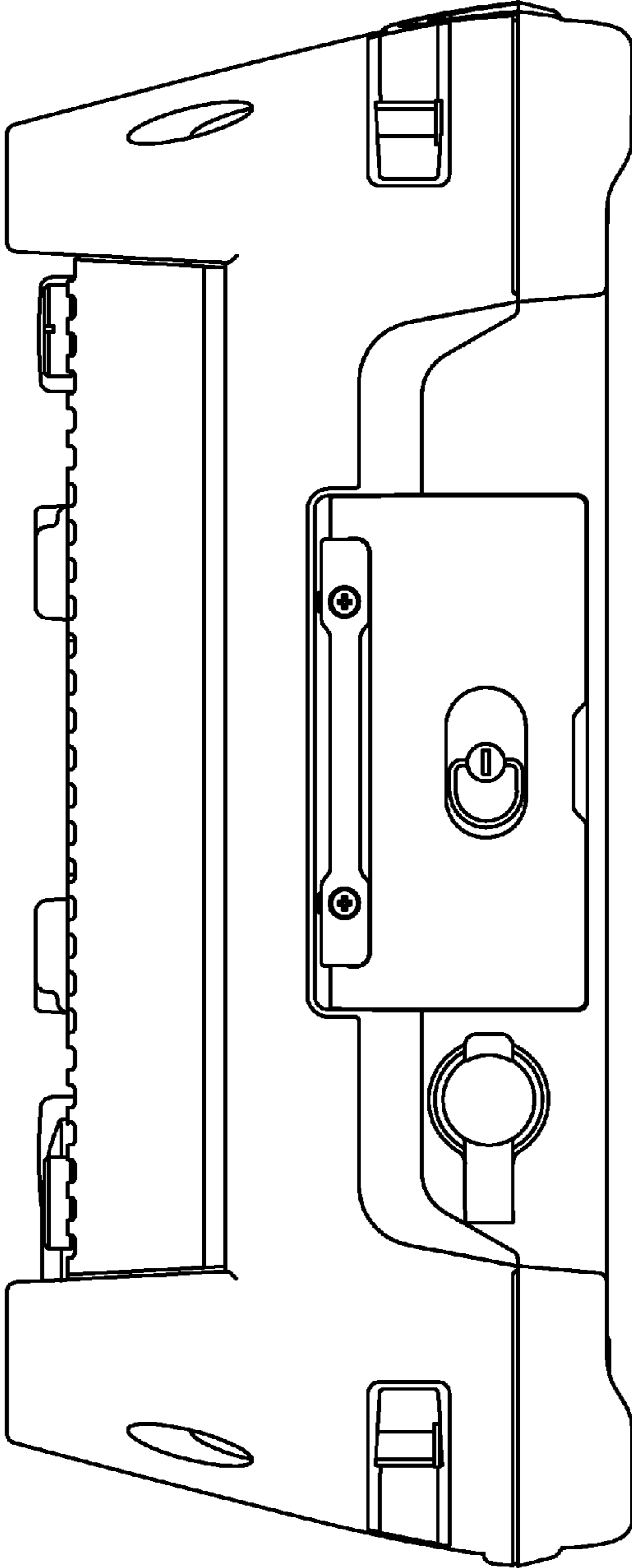


Fig. 8

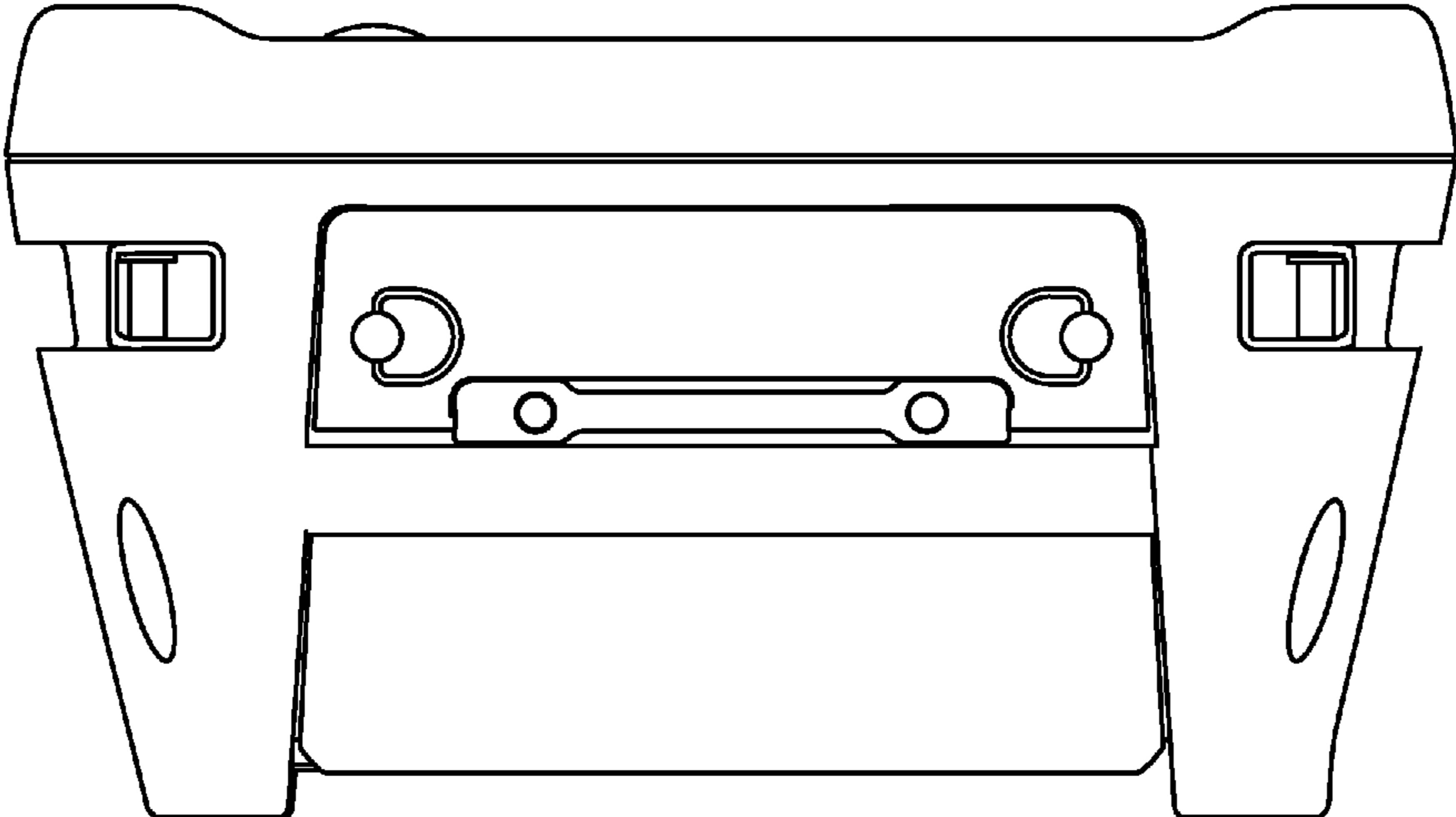


Fig. 9

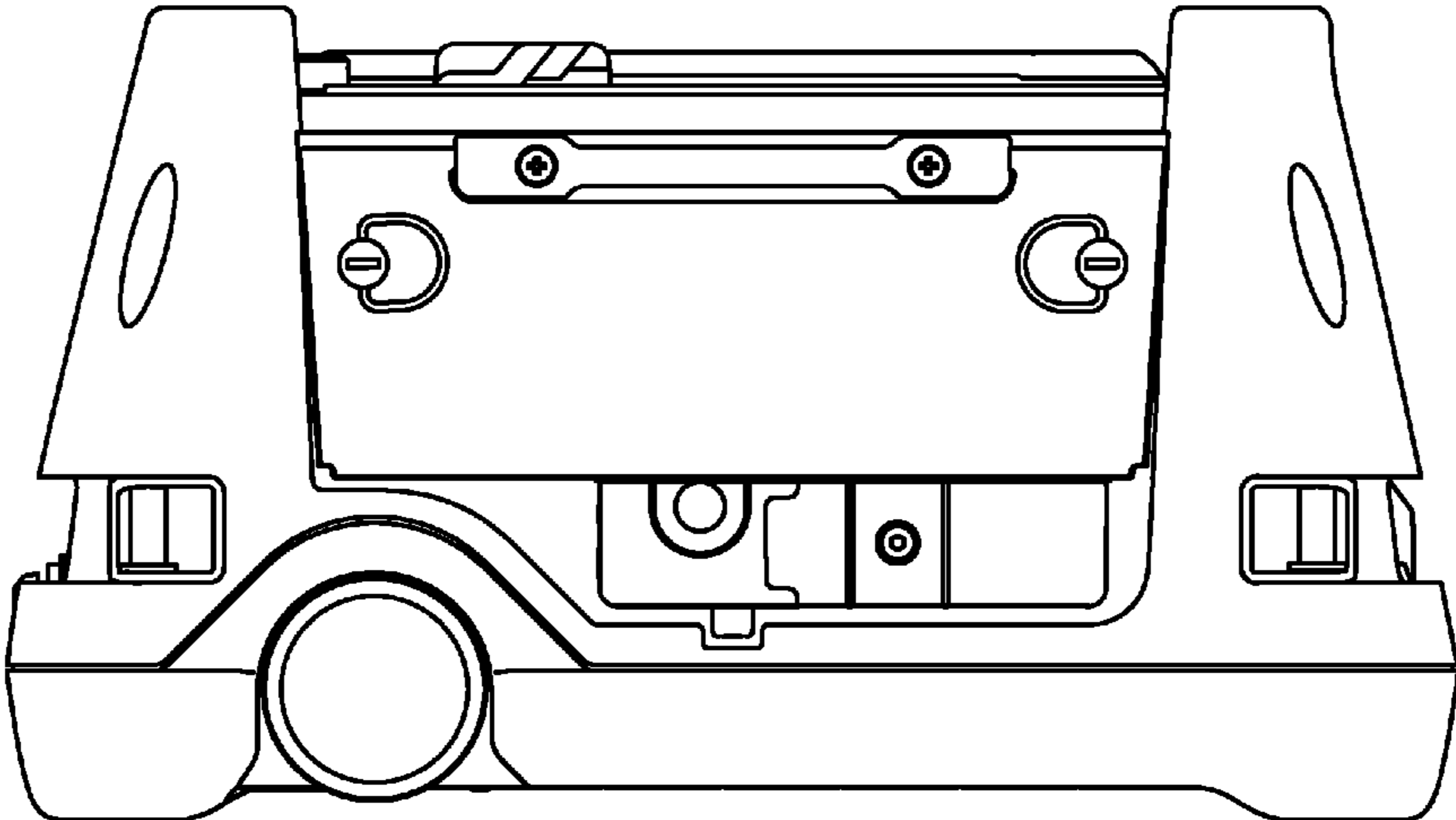


Fig. 10

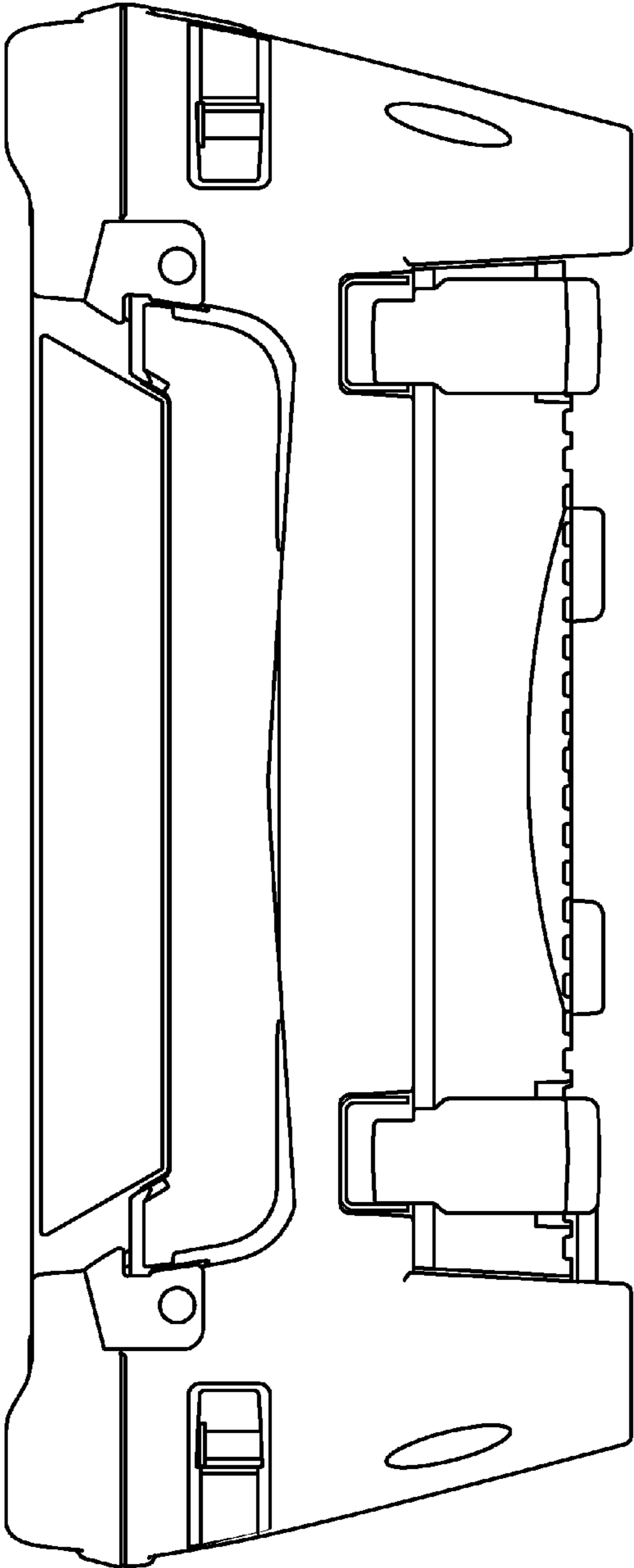


Fig. 11

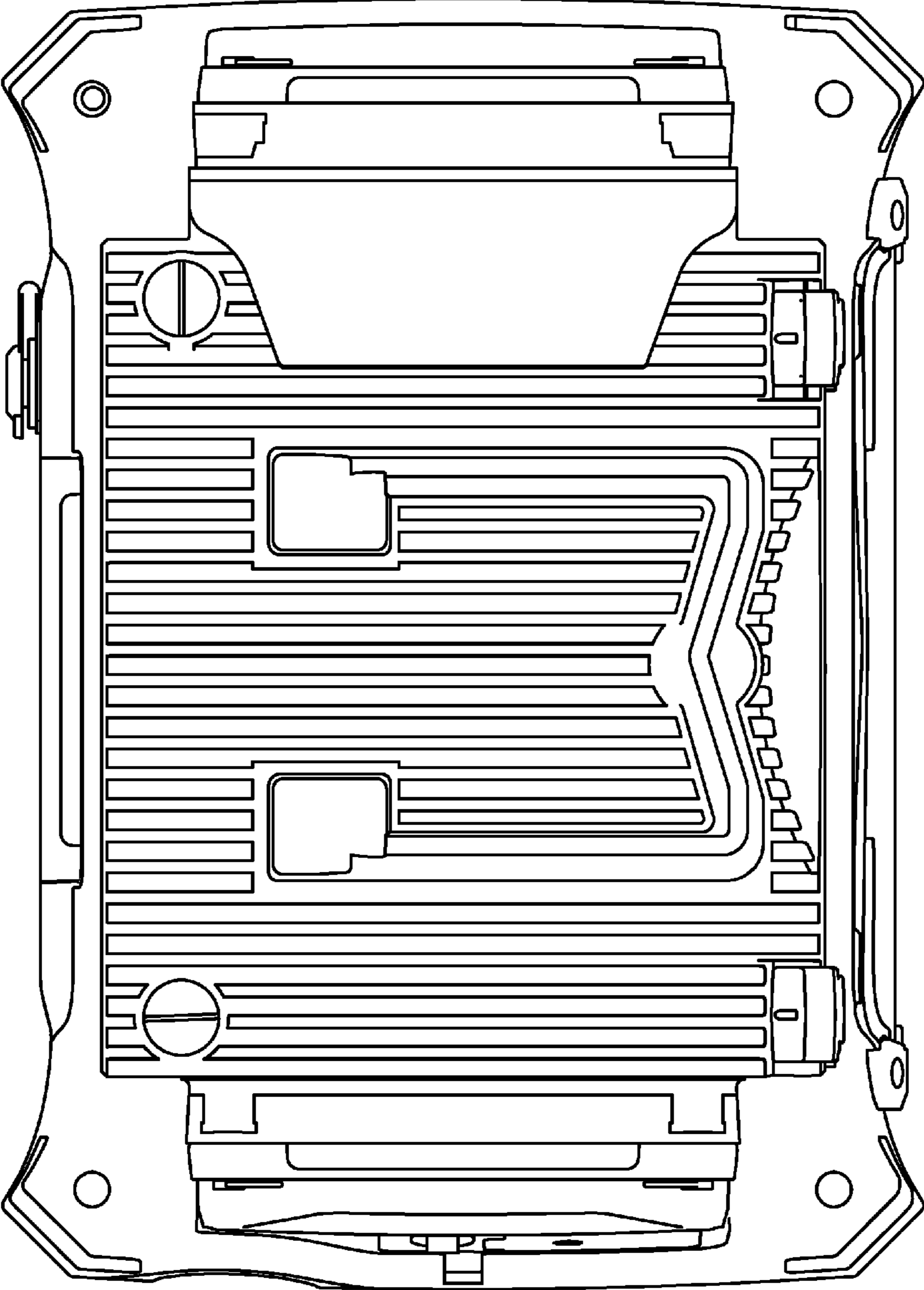


Fig. 12