



US00D668563S

(12) **United States Design Patent**
Isely et al.

(10) **Patent No.:** **US D668,563 S**

(45) **Date of Patent:** **** Oct. 9, 2012**

(54) **SAMPLE CHAMBER**

(75) Inventors: **Nikolas M. Isely**, Moraga, CA (US);
Jonathan K. Brown, Lake Forest, CA
(US); **Marc E. Van Eden**, North Tustin,
CA (US)

(73) Assignee: **Zymo Research Corporation**, Irvine,
CA (US)

(**) Term: **14 Years**

(21) Appl. No.: **29/387,488**

(22) Filed: **Mar. 14, 2011**

(51) **LOC (9) Cl.** **10-04**

(52) **U.S. Cl.** **D10/68**

(58) **Field of Classification Search** D8/68;
173/90, 94, 122, 128, 170; 227/107, 113,
227/140, 147; 362/119

See application file for complete search history.

(56) **References Cited**

U.S. PATENT DOCUMENTS

D590,682 S *	4/2009	Enriquez	D8/68
2010/0159507 A1	6/2010	Ting et al.	435/40.5
2011/0011912 A1	1/2011	Wei et al.	227/113
2011/0114696 A1*	5/2011	Zhou	227/140
2011/0121048 A1*	5/2011	Wei	227/147
2012/0006879 A1*	1/2012	Zhou	227/147

OTHER PUBLICATIONS

“Advantages of Sample Extraction Using The PCT Shredder,” Nov. 2,
2009, retrieved from <http://www.pressurebiosciences.com/pub/Shredder-Data.pdf>, retrieved on Aug. 22, 2011.

“Craftsman 11818 Nextec 12-volt Lithium-Ion Cordless Hammer-head Auto Hammer ENERGY STAR®,” Feb. 16, 2009, retrieved from <http://www.sears.com>, retrieved Aug. 23, 2011.

“New Releases: Pressure Biosciences, Inc. and Omni International Announce Marketing, Distribution, and Technology Development Agreement” 2008, retrieved from http://www.pressurebiosciences.com/news_releases/article-242.html, retrieved Aug. 22, 2011.

“Next Advance Field Blender Enhancement” Jan. 2, 2011, retrieved from <http://nextadvance.com>, retrieved on Aug. 22, 2011.

U.S. Appl. No. 61/452,464, Entitled “Portable Sample Disruptor Apparatus, Kits and Methods” by Nikolas Isely, et al., date of filing: Mar. 14, 2011.

* cited by examiner

Primary Examiner — Antoine D Davis

(74) *Attorney, Agent, or Firm* — Parker Highlander PLLC

(57) **CLAIM**

The ornamental design for a sample chamber, as shown and described.

DESCRIPTION

FIG. 1 is a left side perspective view of my design;

FIG. 2 is a front view of my design;

FIG. 3 is a back view of my design;

FIG. 4 is a right side view of my design;

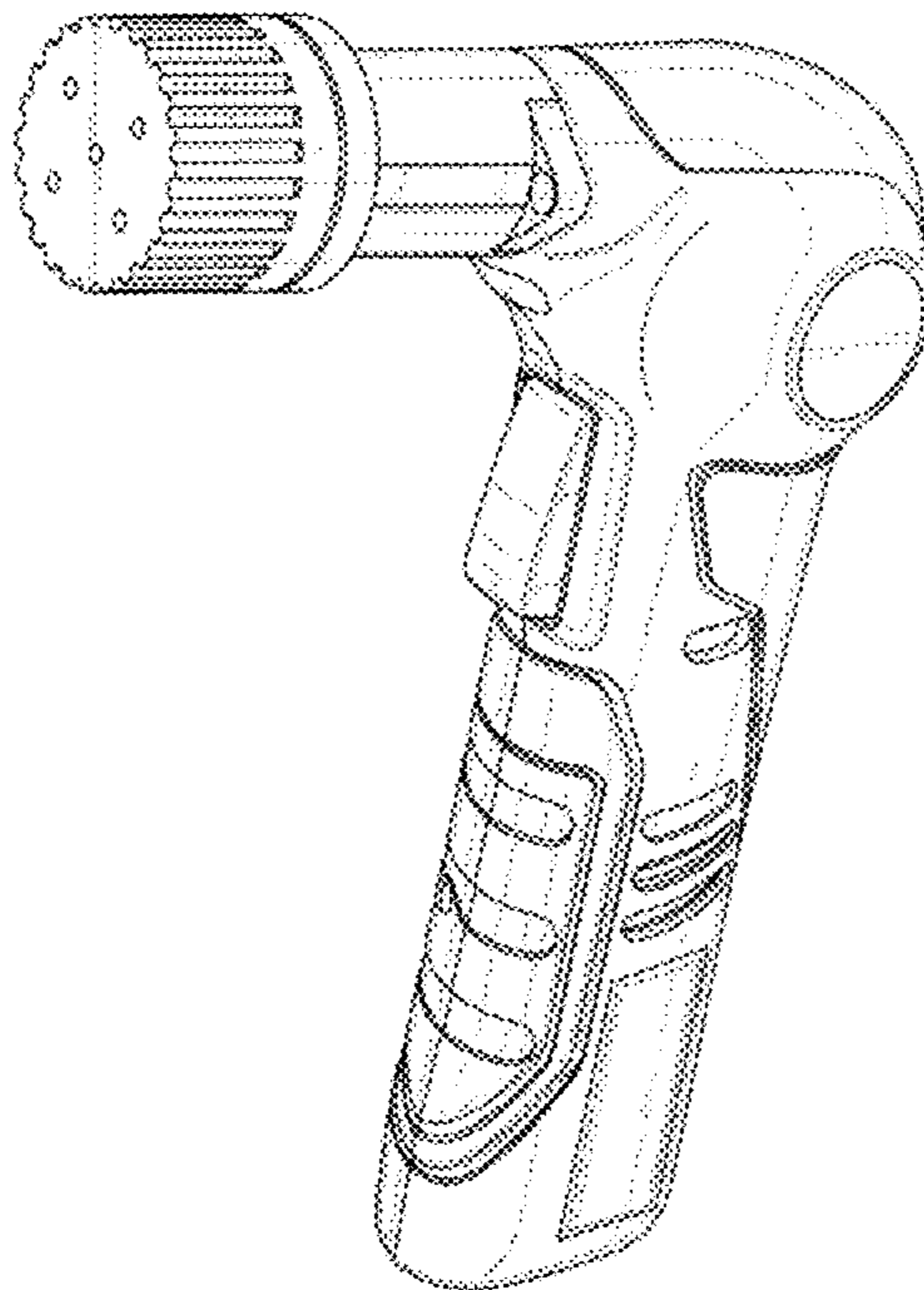
FIG. 5 is a left side view of my design;

FIG. 6 is a top view of my design; and,

FIG. 7 is a bottom view of my design.

All other surface(s) or portion(s) of my design not shown in the figures or otherwise described in the specification form no part of the claimed design.

1 Claim, 5 Drawing Sheets



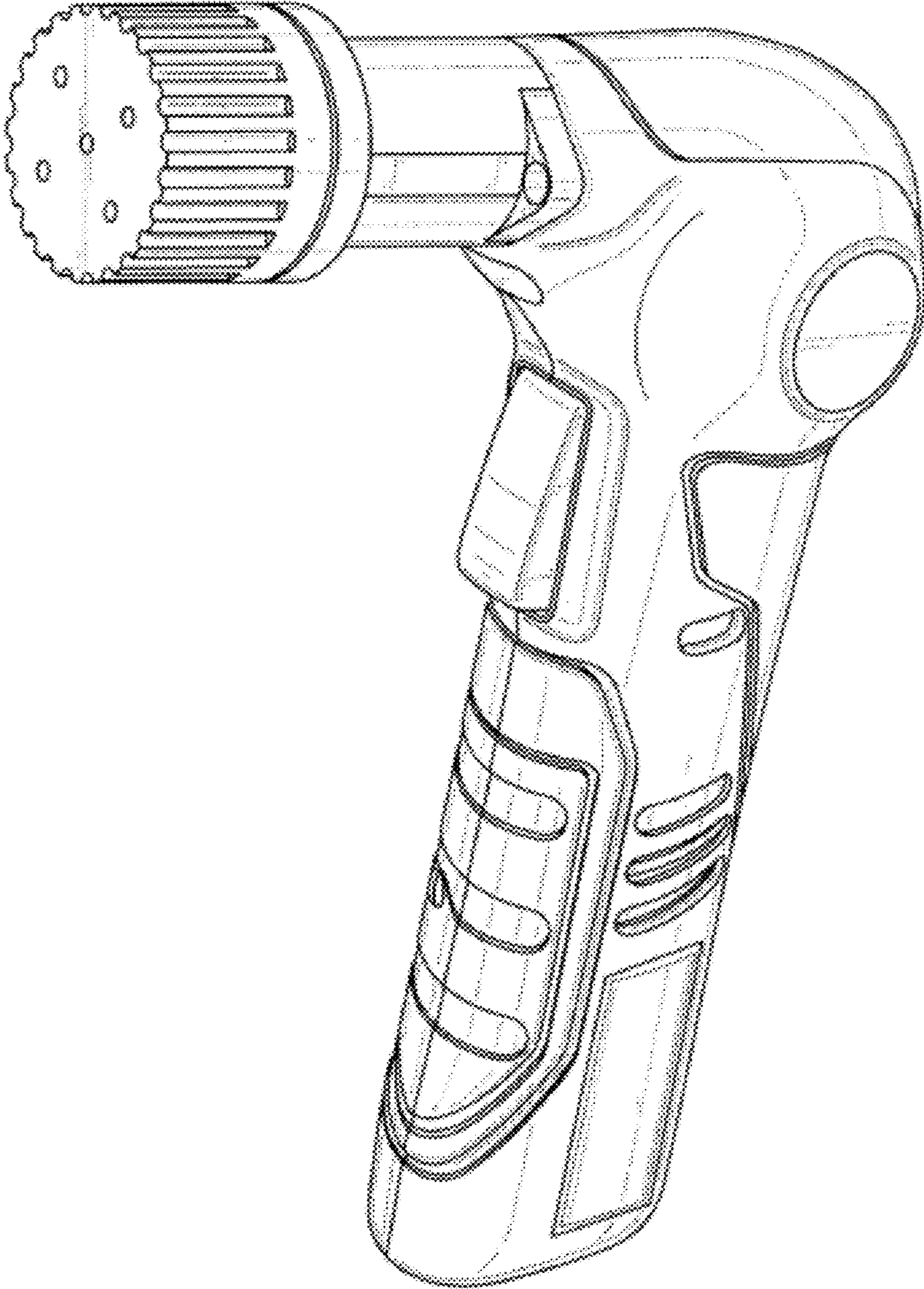


FIG. 1

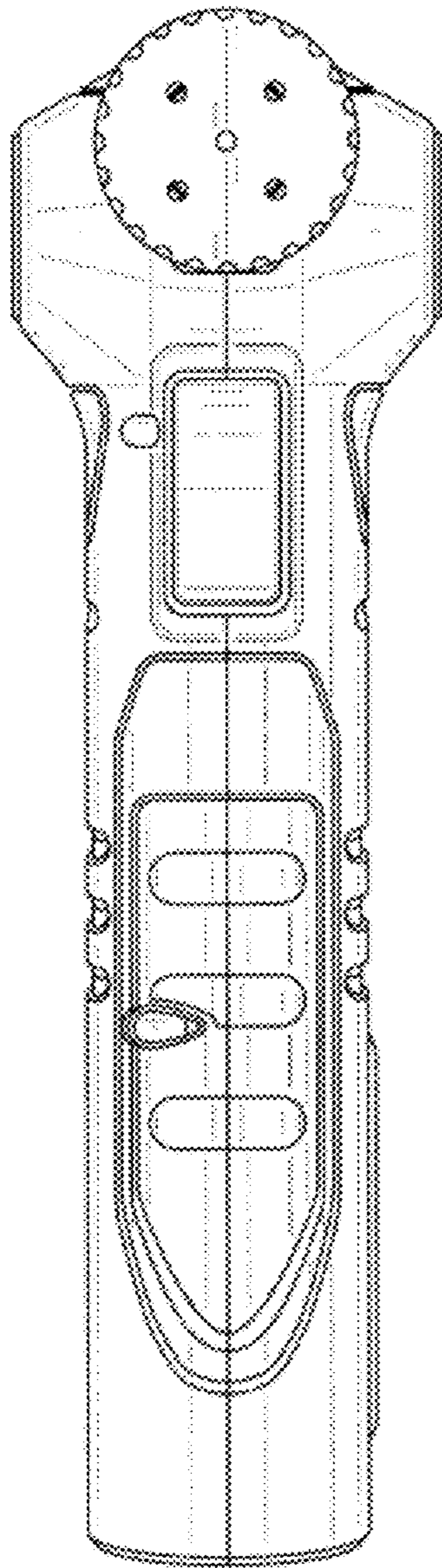


FIG. 2

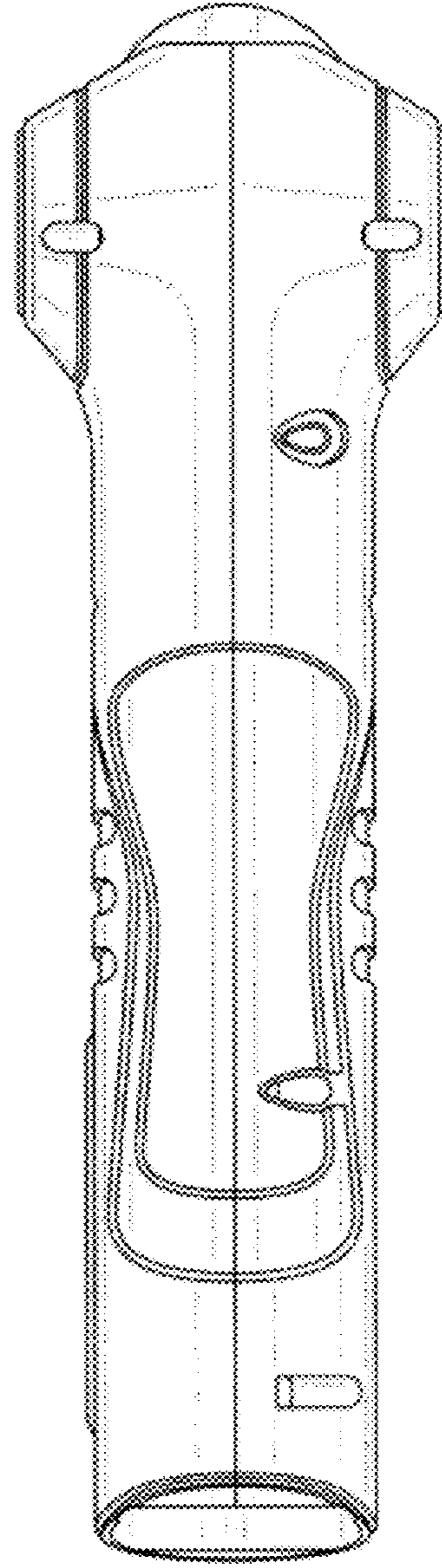


FIG. 3

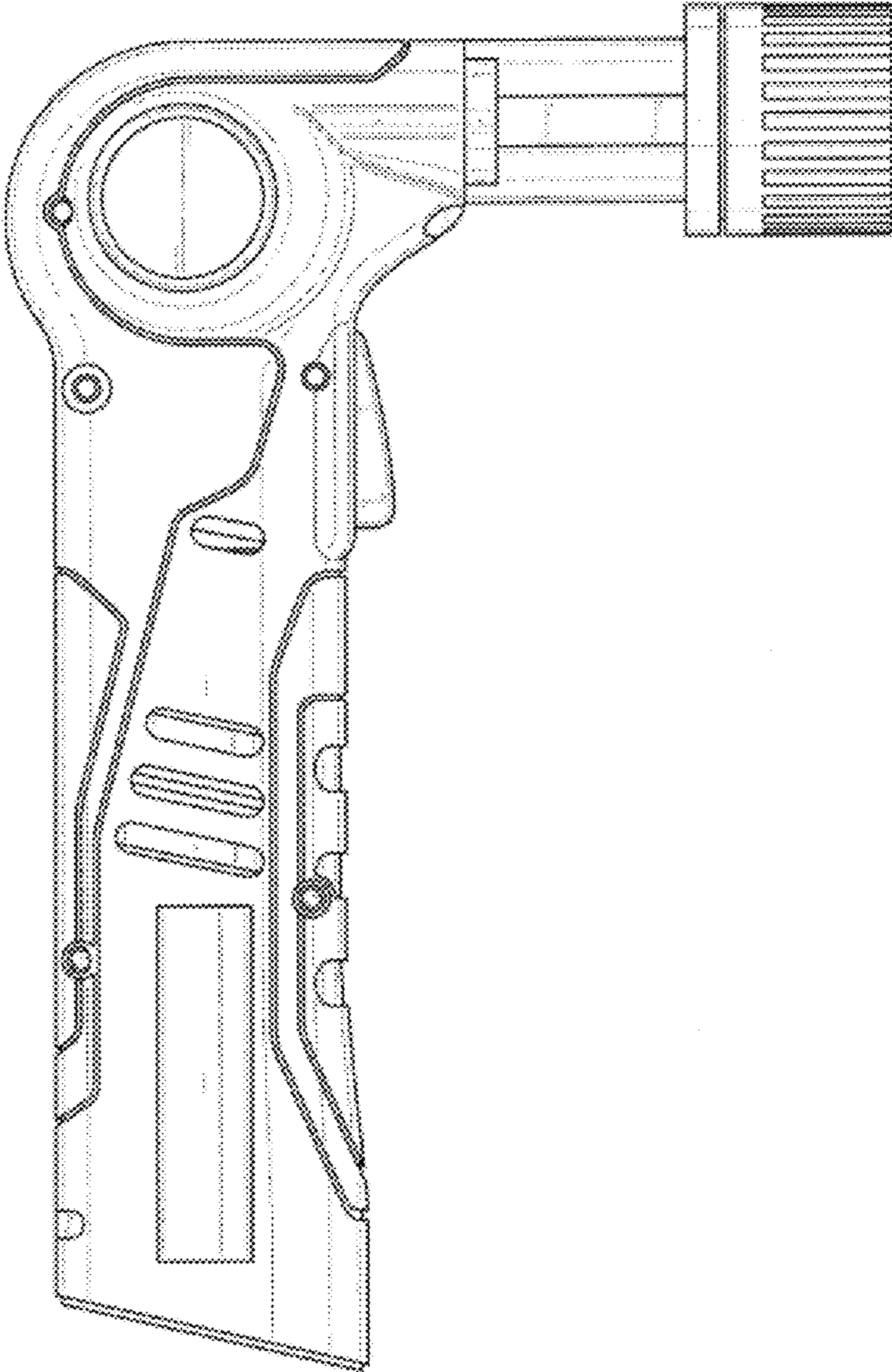


FIG. 4

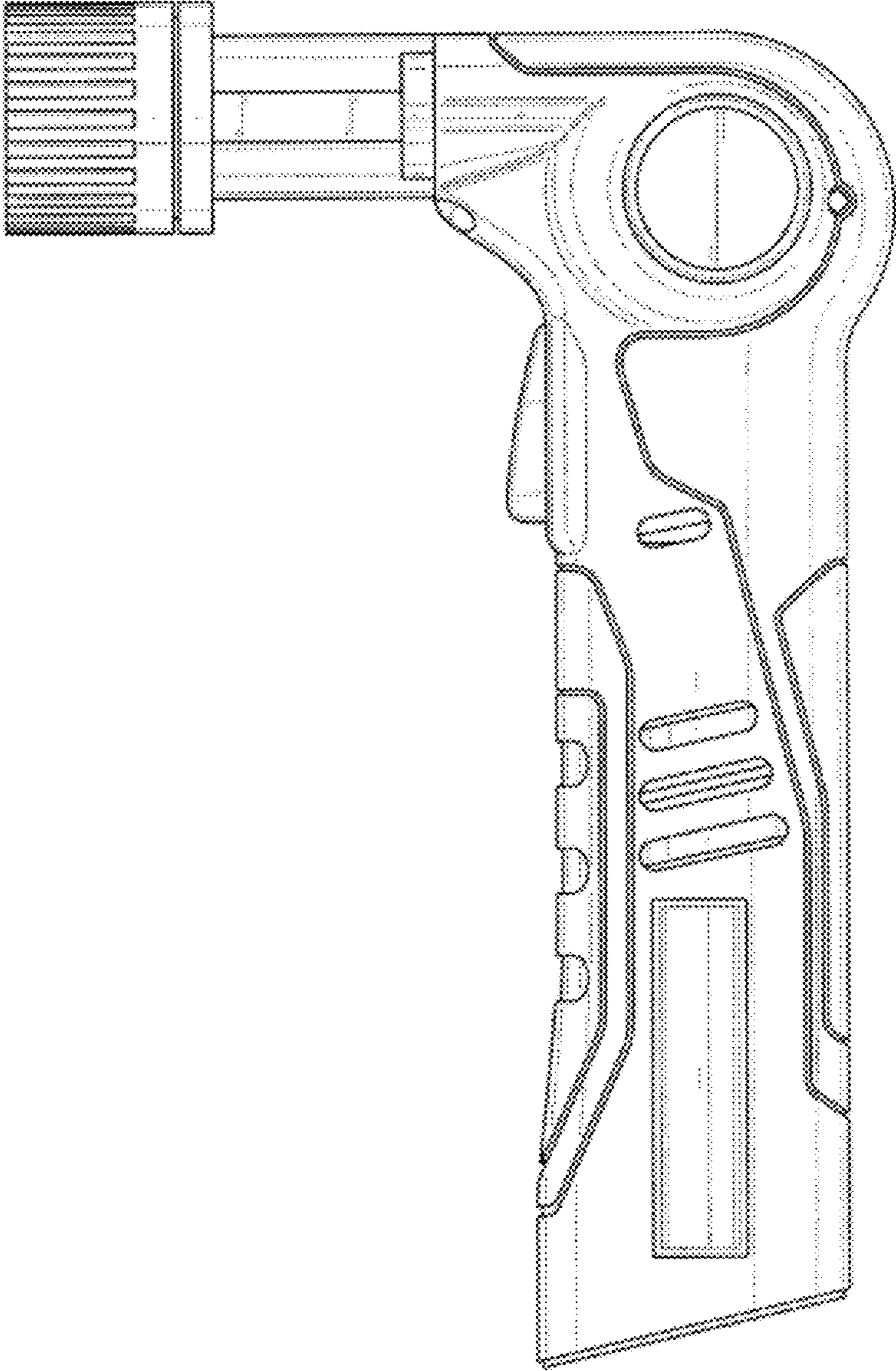


FIG. 5

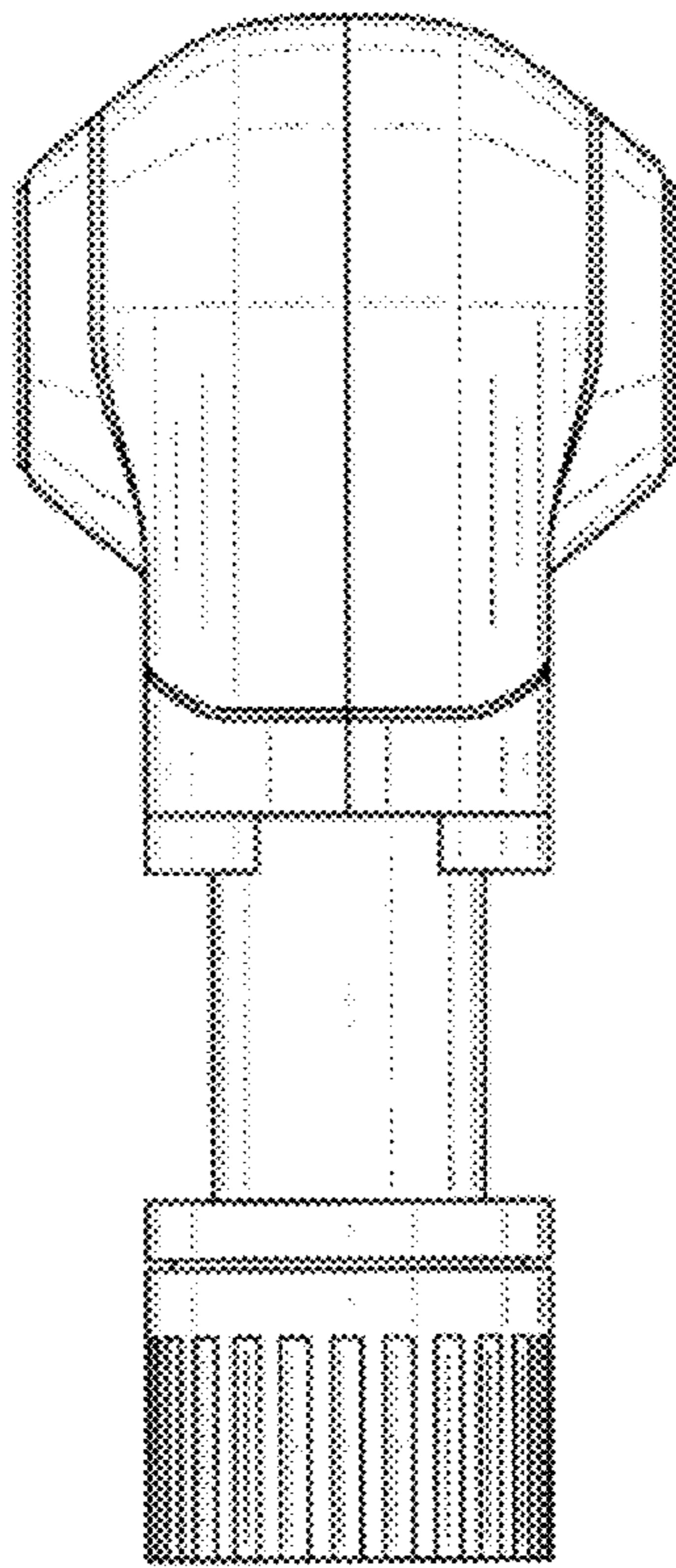


FIG. 6

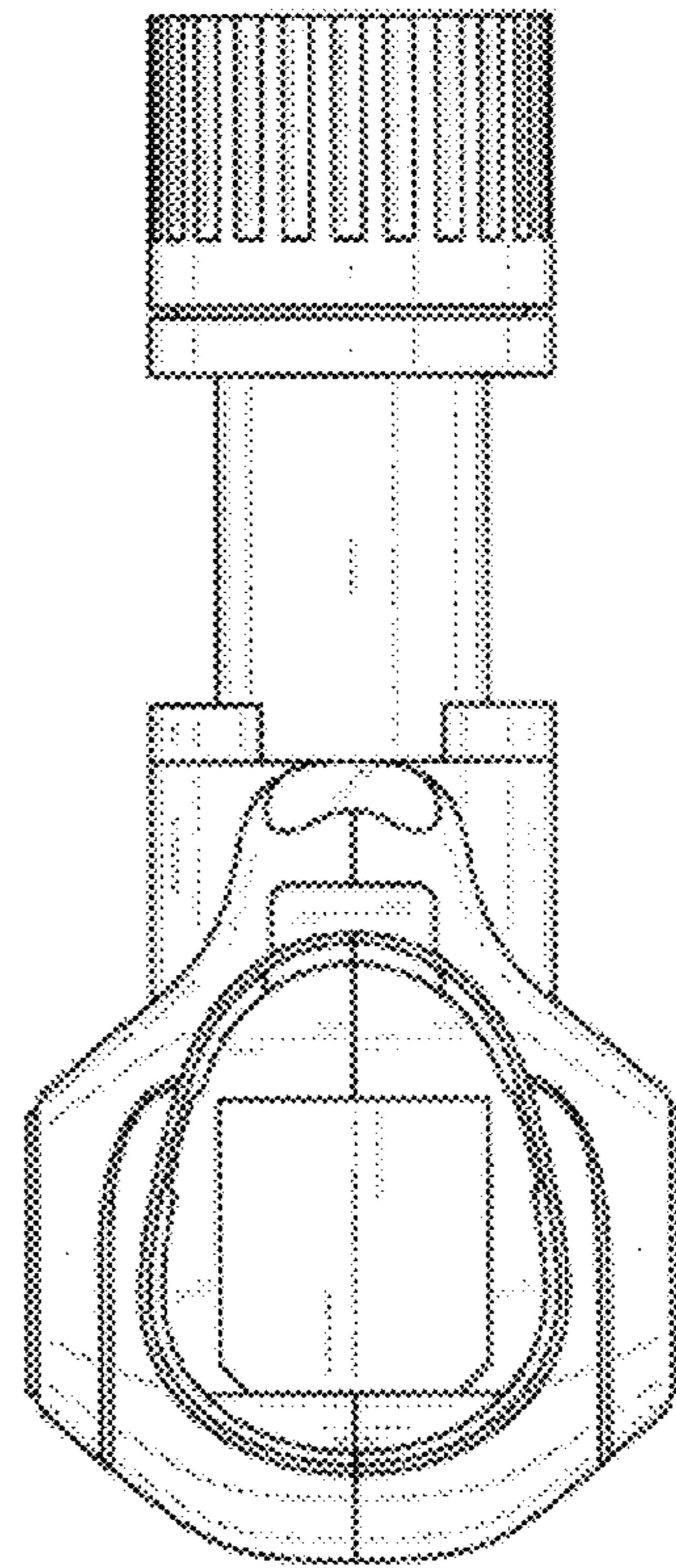


FIG. 7