

US00D668562S

(12) **United States Design Patent**  
**Madrack**

(10) **Patent No.:** **US D668,562 S**

(45) **Date of Patent:** **\*\* Oct. 9, 2012**

(54) **PLANK SPACER**

(76) Inventor: **Mark Madrack**, Berlin, NJ (US)

(\*\*) Term: **14 Years**

(21) Appl. No.: **29/374,155**

(22) Filed: **Jul. 8, 2011**

(51) **LOC (9) Cl.** ..... **10-04**

(52) **U.S. Cl.** ..... **D10/65; D15/138; D8/354**

(58) **Field of Classification Search** ..... D8/354,  
D8/349, 366, 374, 381, 382, 400, 394, 395,  
D8/356, 380, 371; D15/138; D10/65; 33/562,  
33/644, 526, 613, 645, 479, 630, 640, 464;  
144/144, 253.1-253.91, 117.3; 83/435.11,  
83/435.15, 425

See application file for complete search history.

(56) **References Cited**

**U.S. PATENT DOCUMENTS**

D26,439	S	*	12/1896	Waite	.....	D15/138
2,744,334	A	*	5/1956	Jondole	.....	33/613
2,911,022	A	*	11/1959	Brown	.....	269/40
4,592,400	A	*	6/1986	Graham	.....	144/117.3
4,656,745	A	*	4/1987	Griffin	.....	33/626
4,766,782	A	*	8/1988	Tanner	.....	81/44
4,850,114	A	*	7/1989	Vockins	.....	33/526
4,930,225	A	*	6/1990	Phillips	.....	33/526
4,955,142	A	*	9/1990	Rieck	.....	33/526
D336,618	S	*	6/1993	Smith	.....	D21/790

5,960,554	A	*	10/1999	Kamykowski	.....	33/562
5,997,209	A	*	12/1999	Sachs	.....	403/388
6,243,961	B1	*	6/2001	Winski	.....	33/526
6,256,899	B1	*	7/2001	McGhee	.....	33/640
D462,282	S	*	9/2002	Salvagno	.....	D10/65
6,508,010	B2	*	1/2003	Hanson et al.	.....	33/613
D473,123	S	*	4/2003	Anderson	.....	D8/354
6,539,641	B2	*	4/2003	Belliveau	.....	33/526
D605,958	S	*	12/2009	Tartala	.....	D10/65
D639,684	S	*	6/2011	Essel	.....	D10/65

\* cited by examiner

*Primary Examiner* — Mark Goodwin

(74) *Attorney, Agent, or Firm* — Stuart M. Goldstein

(57) **CLAIM**

The ornamental design for a plank spacer, as shown and described.

**DESCRIPTION**

FIG. 1 is a perspective view of the plank spacer showing my new design.

FIG. 2 is a top plan view thereof.

FIG. 3 is a bottom plan view thereof.

FIG. 4 is an end view thereof.

FIG. 5 is an opposite end view thereof.

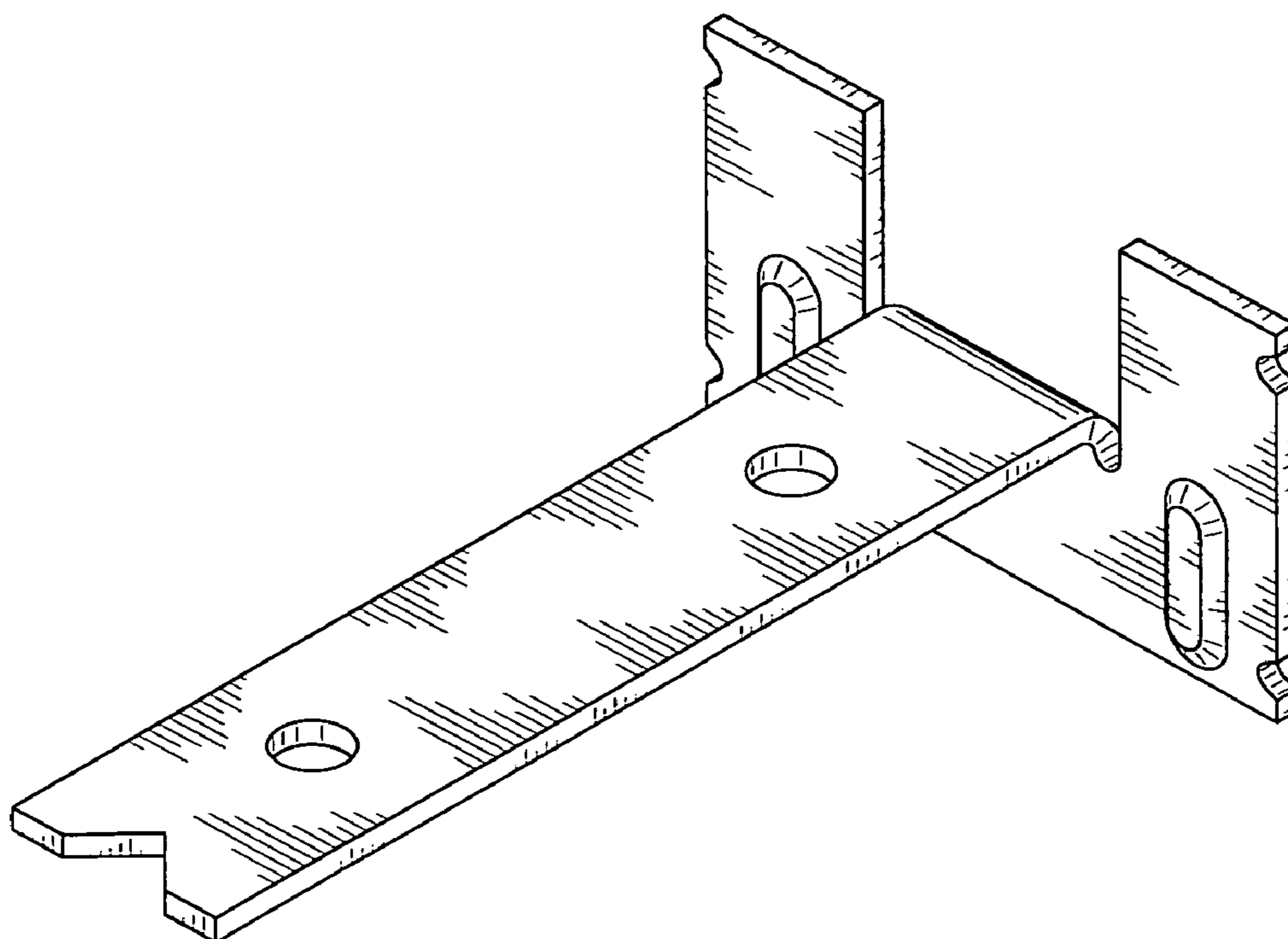
FIG. 6 is a side elevation view thereof.

FIG. 7 is an opposite side elevation view thereof; and,

FIG. 8 is an isometric view thereof shown in use condition.

The broken line showing of the planks is included for the purpose of illustrating environmental structure only and forms no part of the claimed design.

**1 Claim, 5 Drawing Sheets**



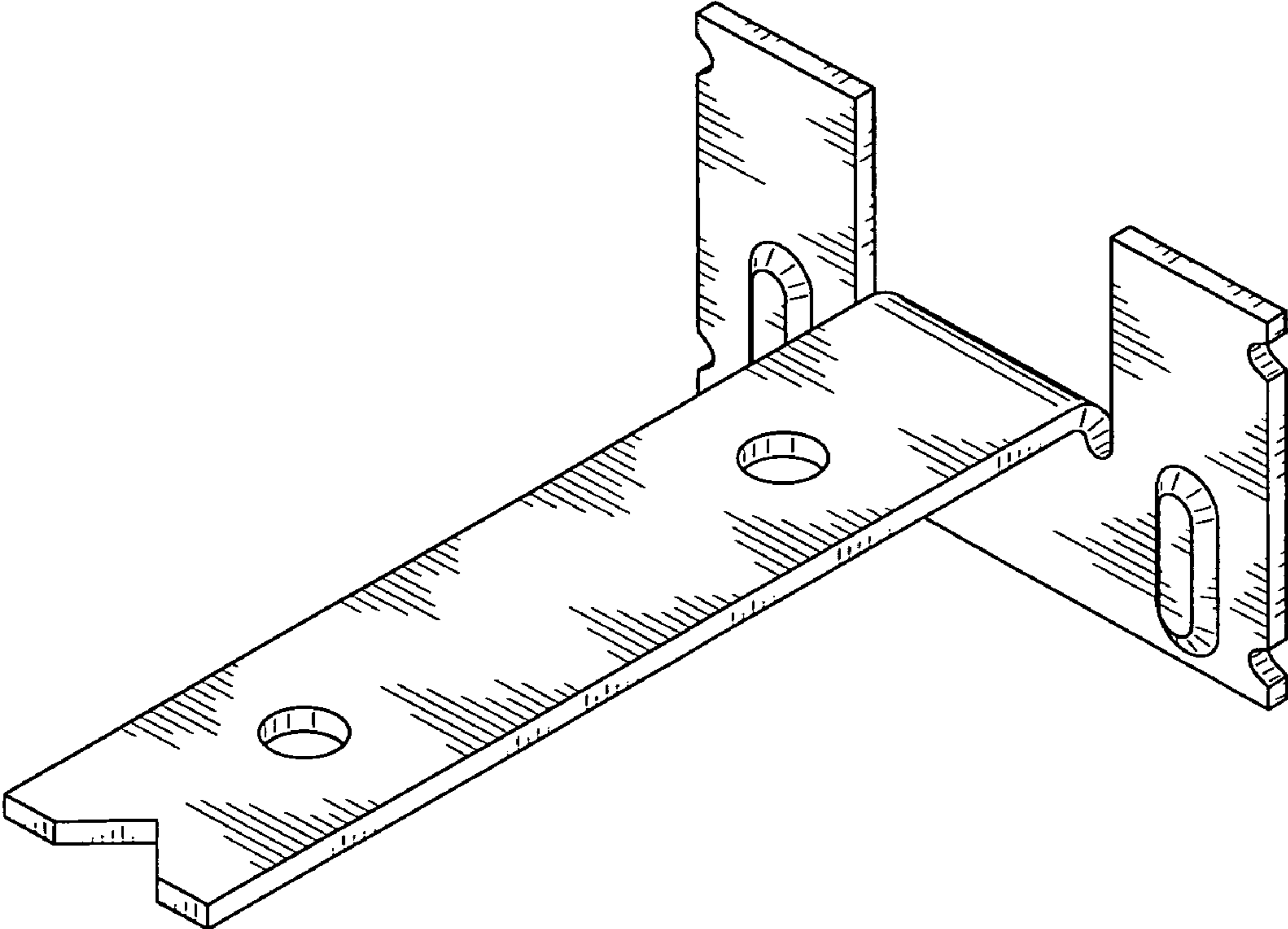


FIG. 1

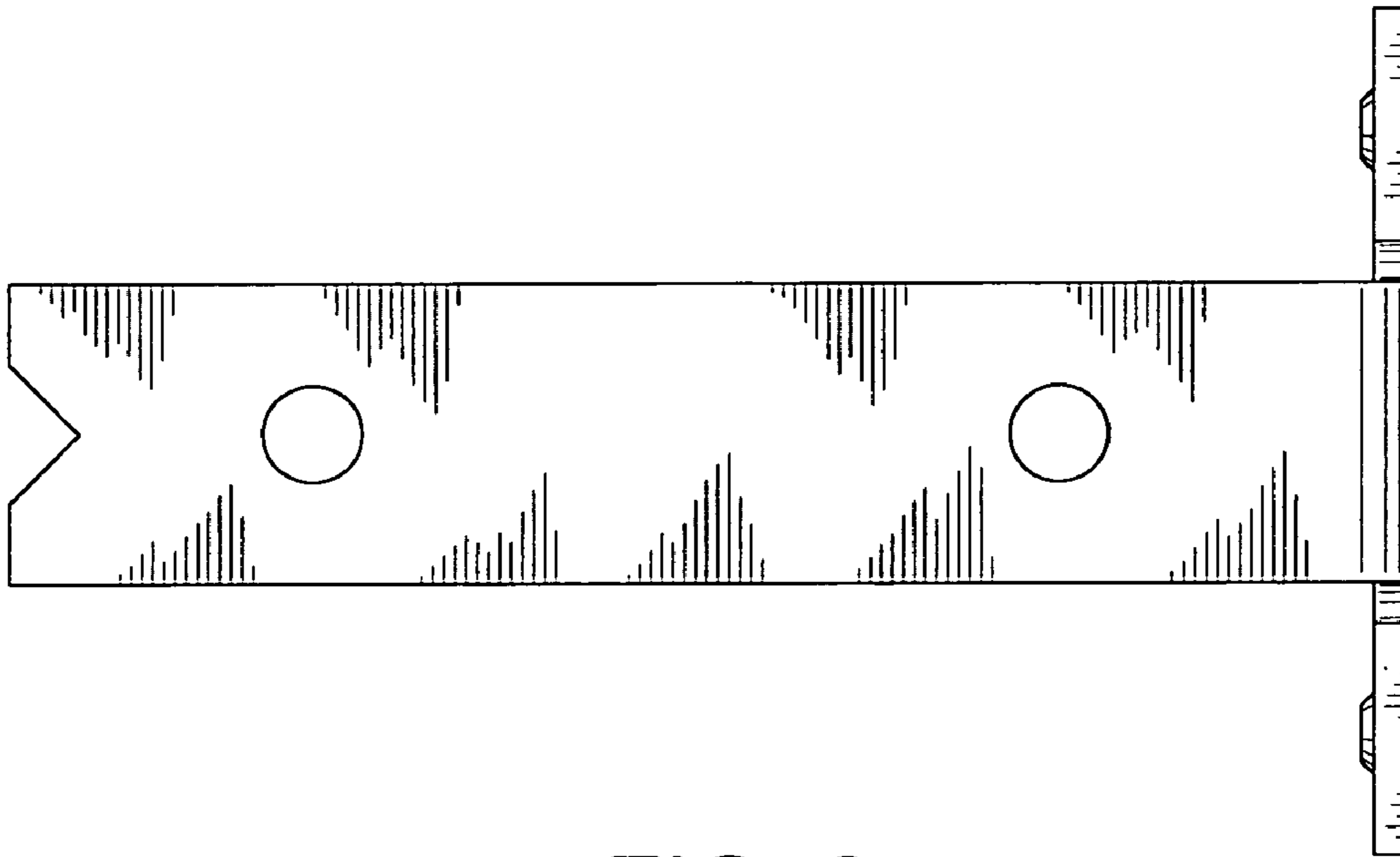


FIG. 2

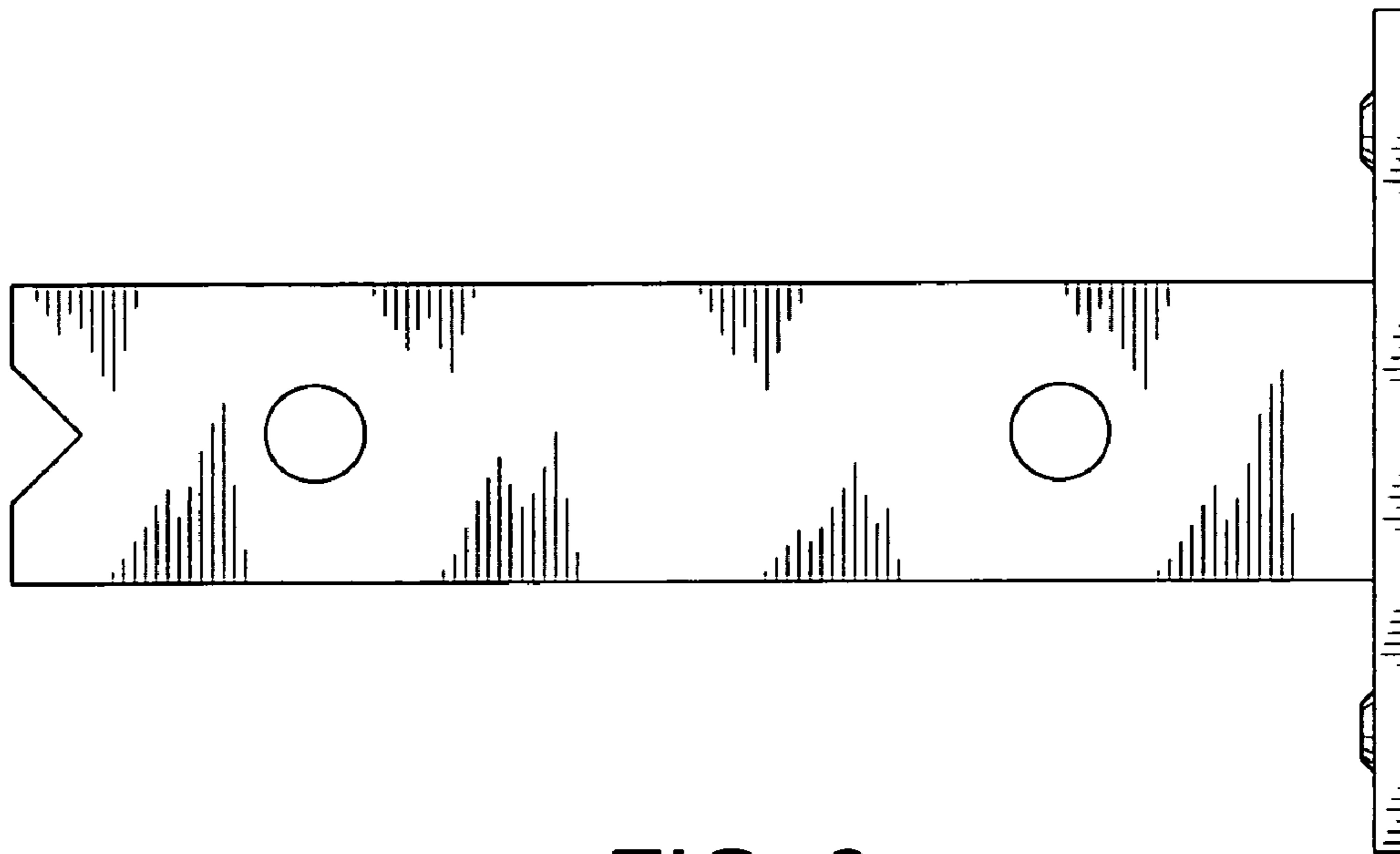


FIG. 3

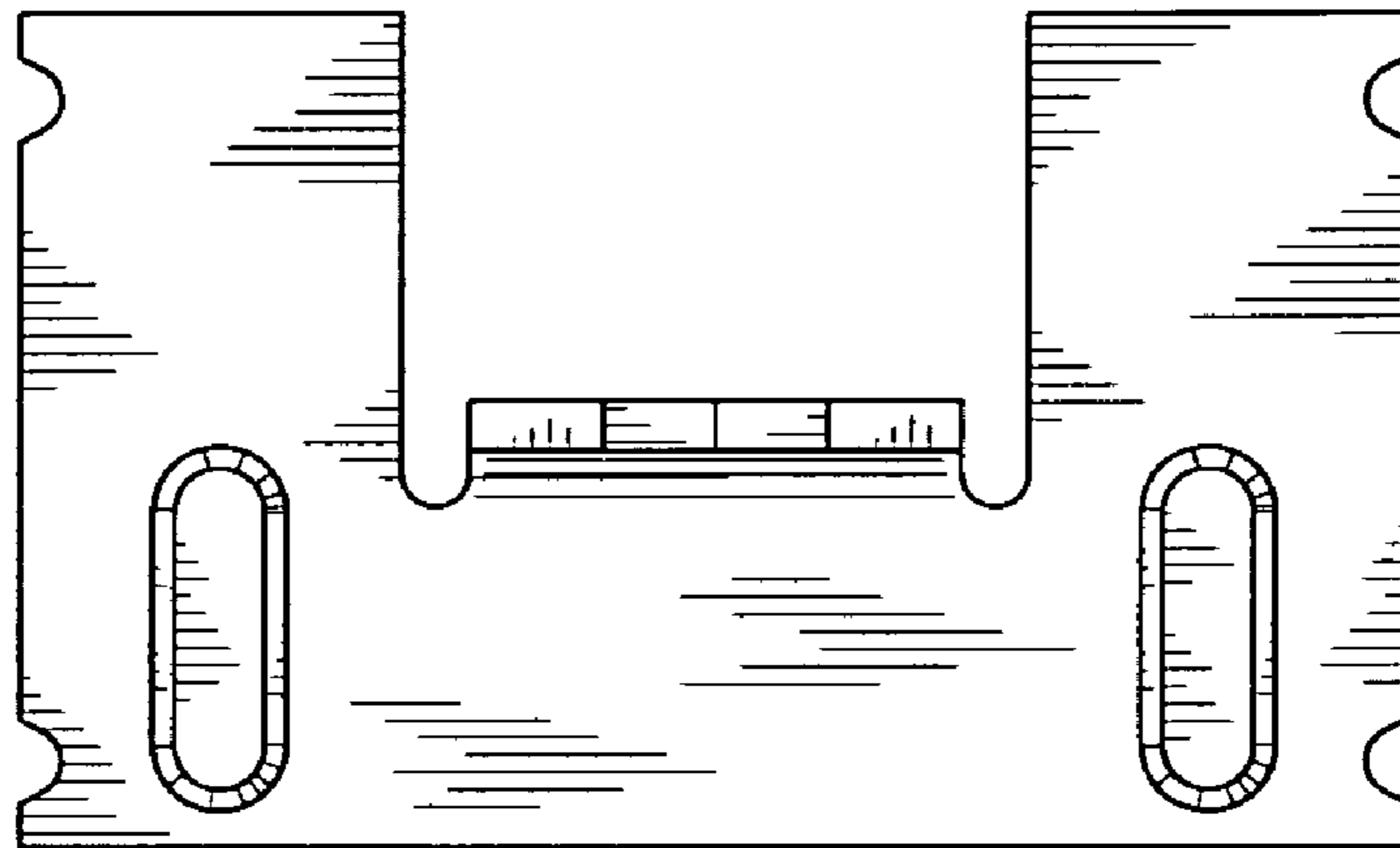


FIG. 4

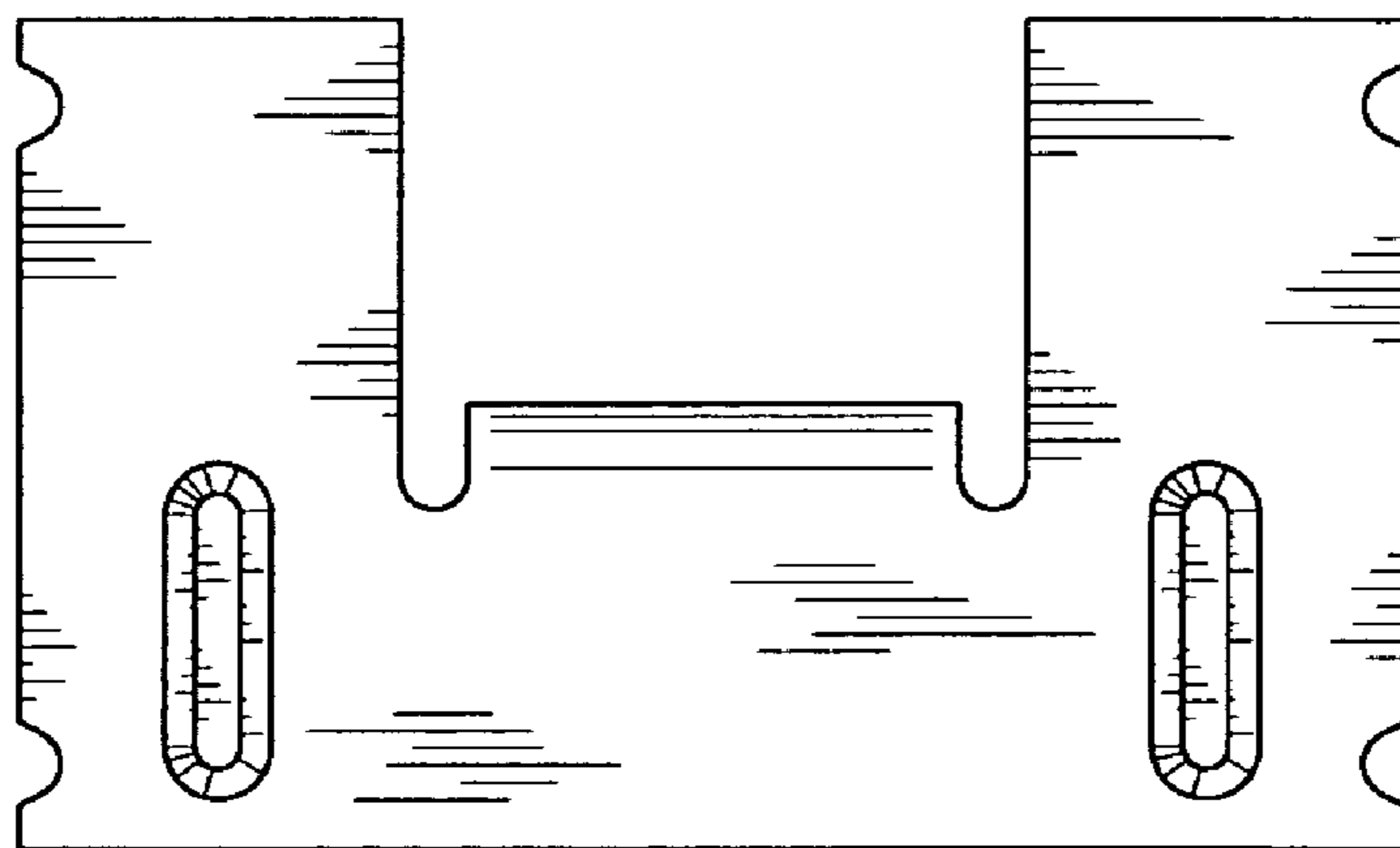


FIG. 5

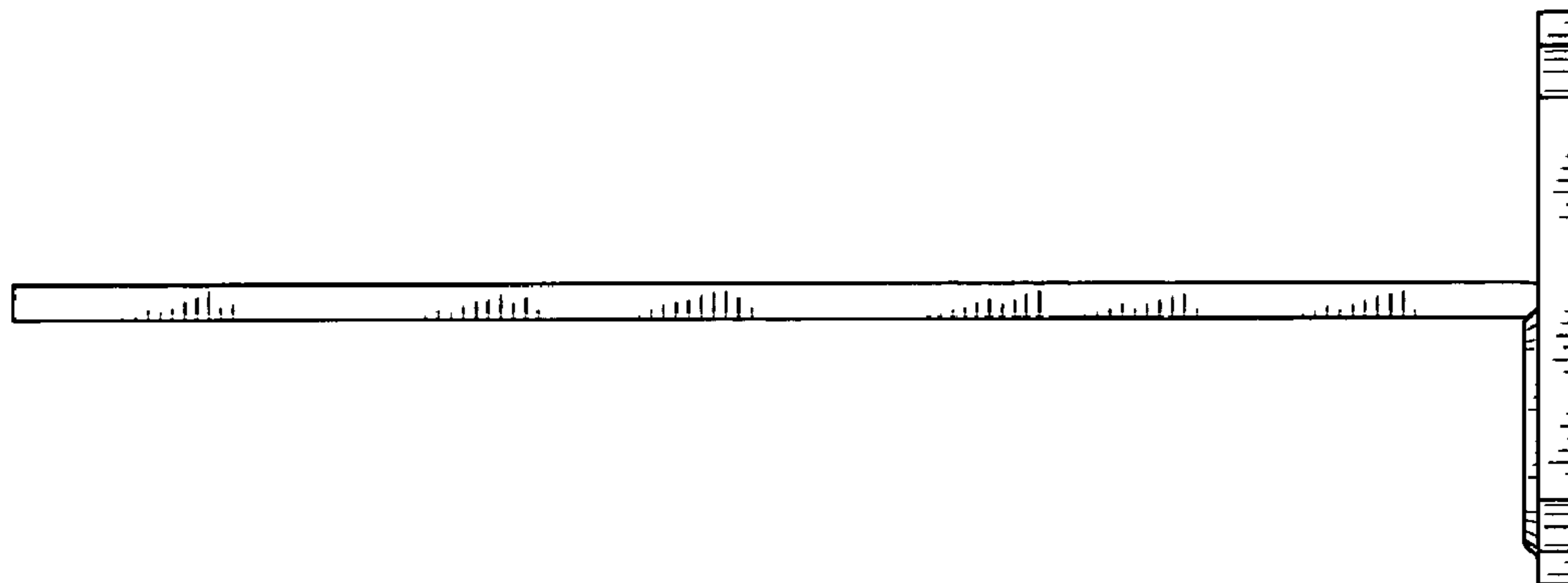


FIG. 6

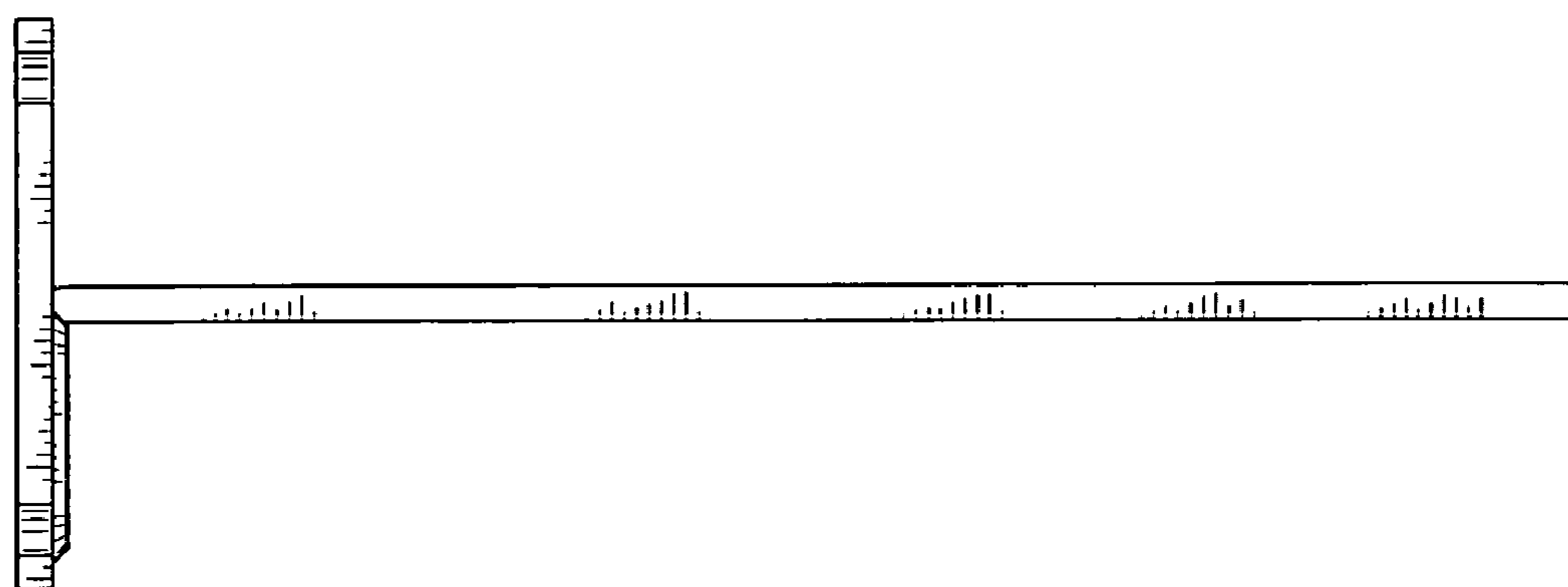


FIG. 7

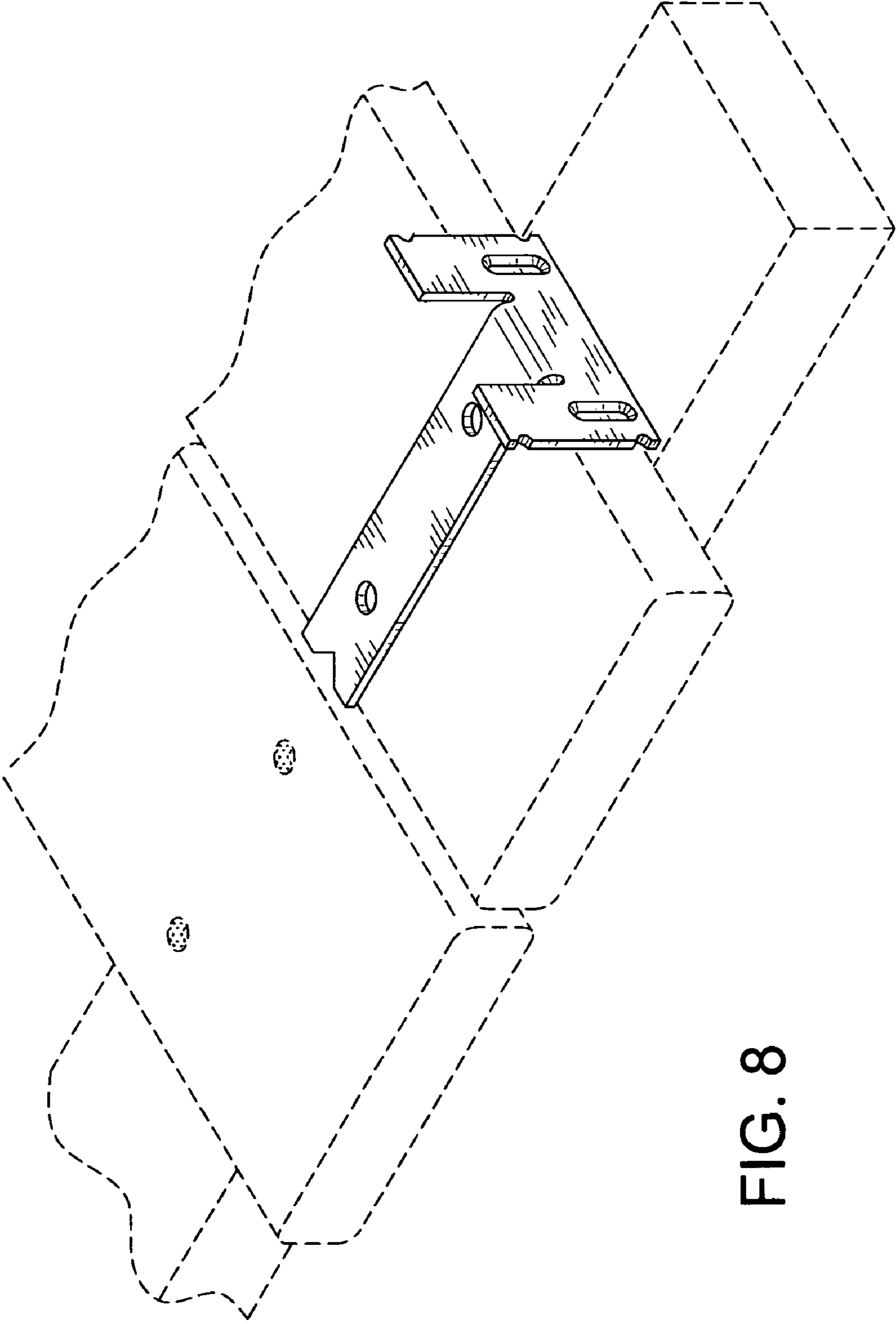


FIG. 8