



US00D668561S

(12) **United States Design Patent**
Dunkin et al.

(10) **Patent No.:** **US D668,561 S**
(45) **Date of Patent:** **** Oct. 9, 2012**

(54) **HOUSING FOR HANDHELD THERMOMETER**

DESCRIPTION

- (75) Inventors: **Jon R. Dunkin**, Elyria, OH (US);
Christopher L. Lane, Lakewood, OH (US); **Sarah A. Golish**, Westlake, OH (US)
 - (73) Assignee: **Emerson Electric Co.**, St. Louis, MO (US)
 - (**) Term: **14 Years**
 - (21) Appl. No.: **29/391,737**
 - (22) Filed: **May 12, 2011**
 - (51) **LOC (9) Cl.** **10-04**
 - (52) **U.S. Cl.** **D10/57**
 - (58) **Field of Classification Search** D10/57;
374/1-208; 600/549
- See application file for complete search history.

(56) **References Cited**

U.S. PATENT DOCUMENTS

D559,386 S 1/2008 Pease et al.
(Continued)

OTHER PUBLICATIONS

“IR Thermometer MicroRay IR-100 Non-Contact Infrared Thermometer” Rigid [Catalog], Ridge Tool Company, a subsidiary of Emerson, part of Emerson Professional Tools™, © 2008 Ridgid, Inc., p. 7.20.

“Micro CG-100™ Combustible Gas Sniffer” Rigid [Catalog], Ridge Tool Company, a subsidiary of Emerson, part of Emerson Professional Tools™, © 2008 Ridgid, Inc., p. 7.21.

(Continued)

Primary Examiner — Antoine D Davis

(57) **CLAIM**

The ornamental design for a housing for a handheld thermometer, as shown and described.

FIG. 1 is a perspective view of a first embodiment of an exemplary housing for a handheld thermometer in accordance with the principles of the present design;

FIG. 2 is a front view of the first embodiment of the housing;

FIG. 3 is a rear view of the first embodiment of the housing;

FIG. 4 is a top view of the first embodiment of the housing;

FIG. 5 is a bottom view of the first embodiment of the housing;

FIG. 6 is a first side view of the first embodiment of the housing;

FIG. 7 is a second side view of the first embodiment of the housing;

FIG. 8 is a perspective view of a second embodiment of an exemplary housing for a handheld thermometer in accordance with the principles of the present design;

FIG. 9 is a front view of the second embodiment of the housing;

FIG. 10 is a rear view of the second embodiment of the housing;

FIG. 11 is a top view of the second embodiment of the housing;

FIG. 12 is a bottom view of the second embodiment of the housing;

FIG. 13 is a first side view of the second embodiment of the housing;

FIG. 14 is a second side view of the second embodiment of the housing;

FIG. 15 is a perspective view of a third embodiment of an exemplary housing for a handheld thermometer in accordance with the principles of the present design;

FIG. 16 is a front view of the third embodiment of the housing;

FIG. 17 is a rear view of the third embodiment of the housing;

FIG. 18 is a top view of the third embodiment of the housing;

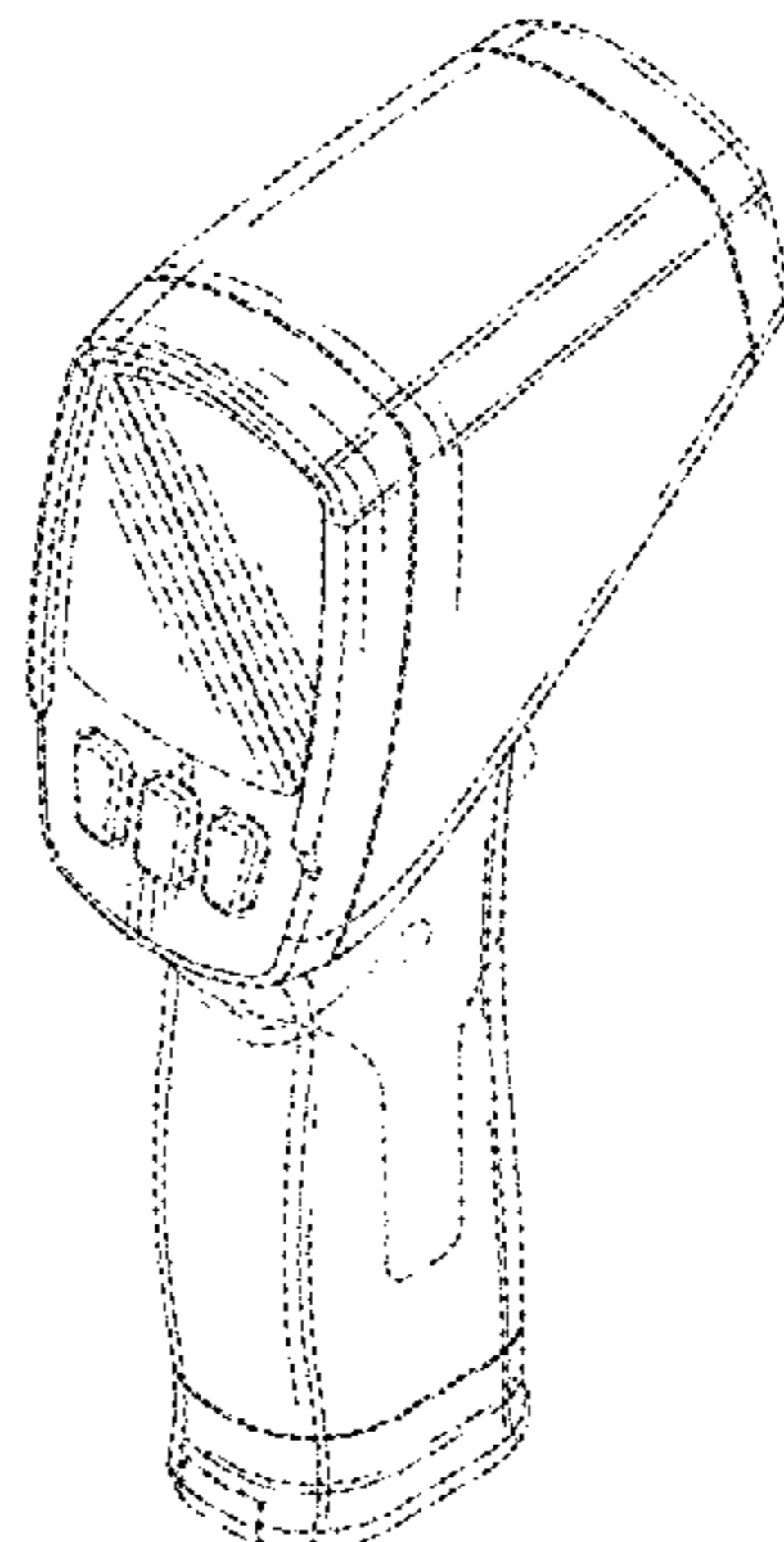
FIG. 19 is a bottom view of the third embodiment of the housing;

FIG. 20 is a first side view of the third embodiment of the housing; and,

FIG. 21 is a second side view of the third embodiment of the housing.

It is to be understood that the broken lines shown throughout the drawings are for illustrative purposes only and form no part of the present design.

1 Claim, 15 Drawing Sheets



US D668,561 S

Page 2

U.S. PATENT DOCUMENTS

D560,804	S	1/2008	Pease et al.	
D583,262	S *	12/2008	Flandin et al.	D10/57
D583,263	S *	12/2008	Sebban	D10/57
D618,569	S *	6/2010	Guo	D10/57
8,136,984	B1 *	3/2012	Heinke	374/121
2009/0168835	A1 *	7/2009	Heinke et al.	374/121

OTHER PUBLICATIONS

“SeeSnake® micro™ Inspection Camera”, Rigid [Catalog], Ridge Tool Company, a subsidiary of Emerson, part of Emerson Professional Tools™, © 2008 Ridgid, Inc., pp. 11.14 and 11.15.

* cited by examiner

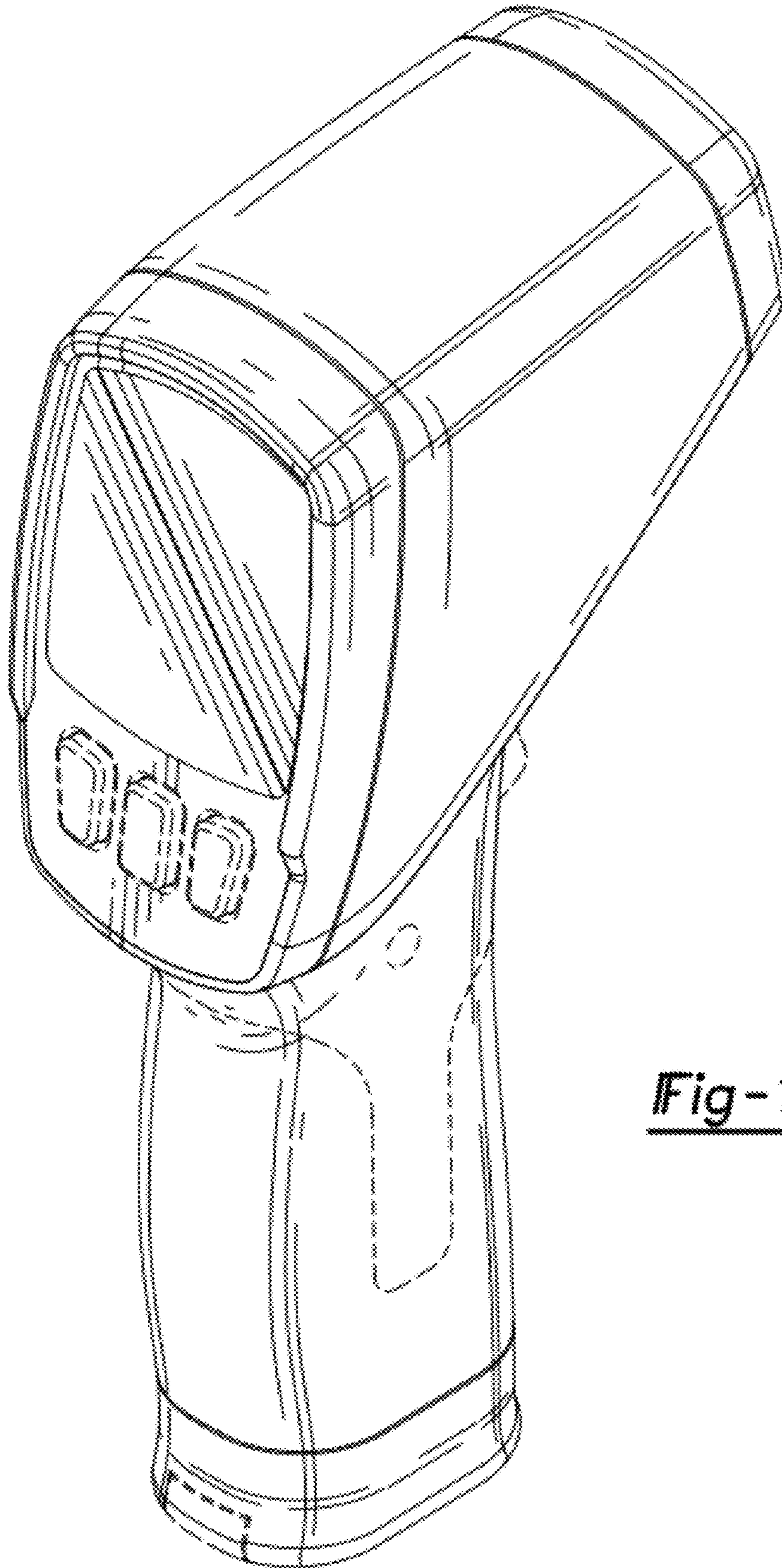


Fig-1

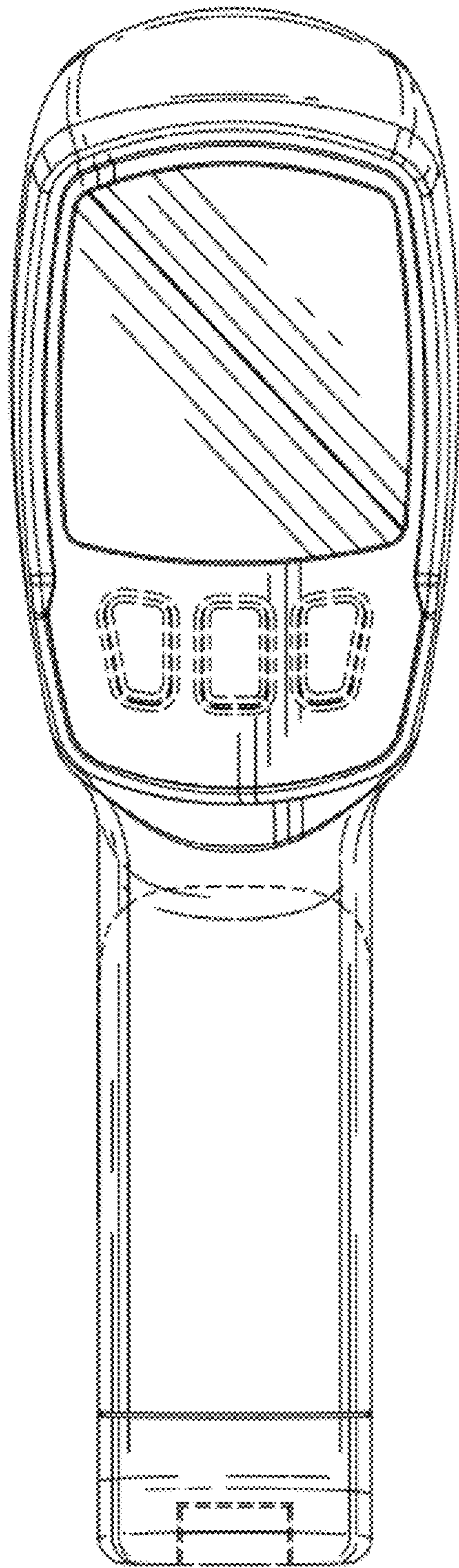


Fig-2

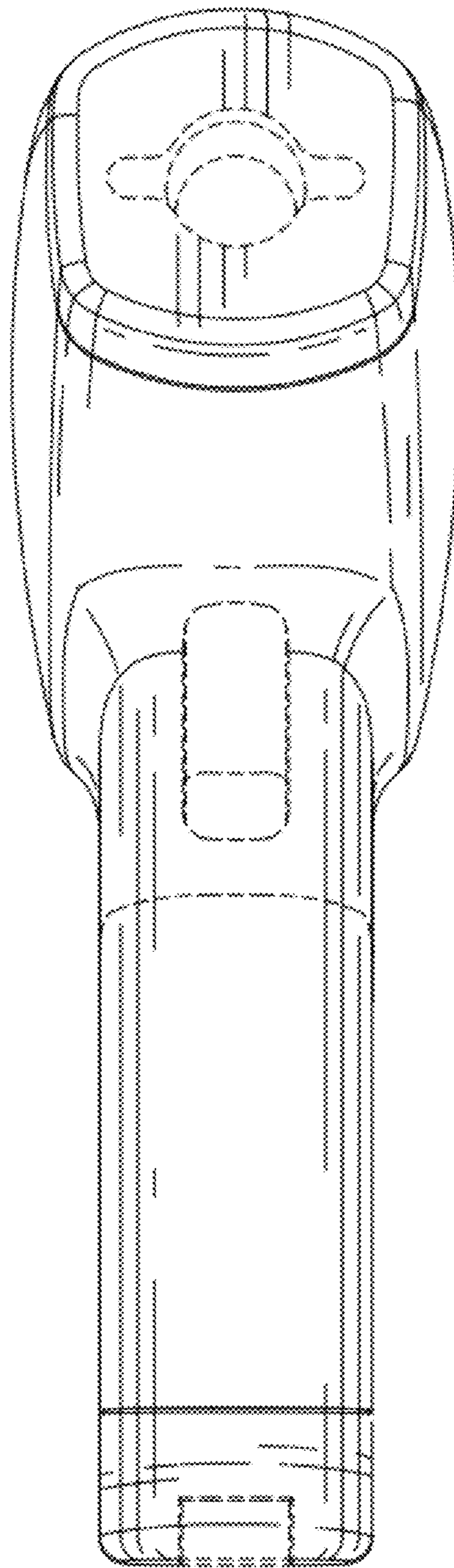


Fig-3

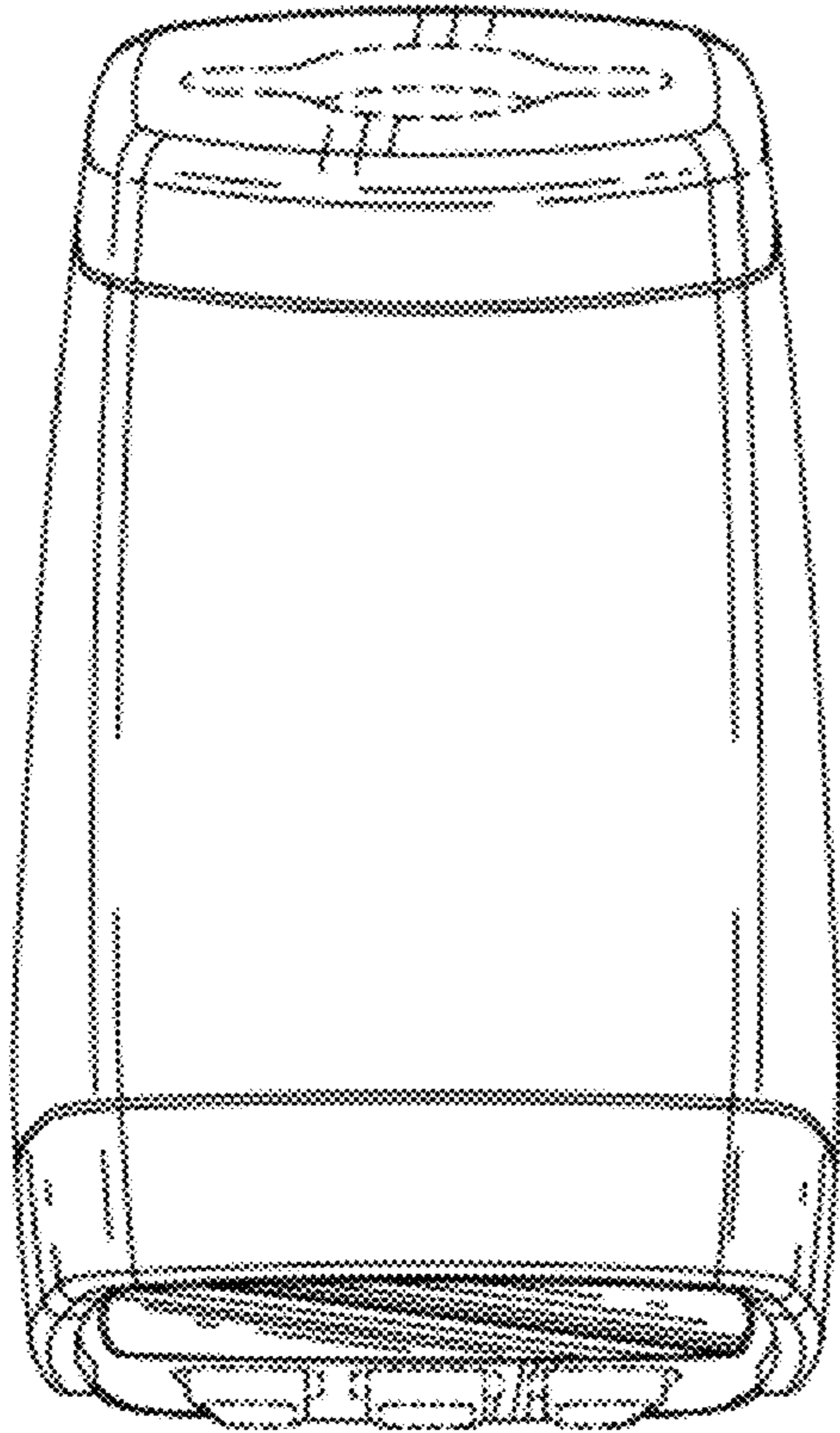


Fig-4

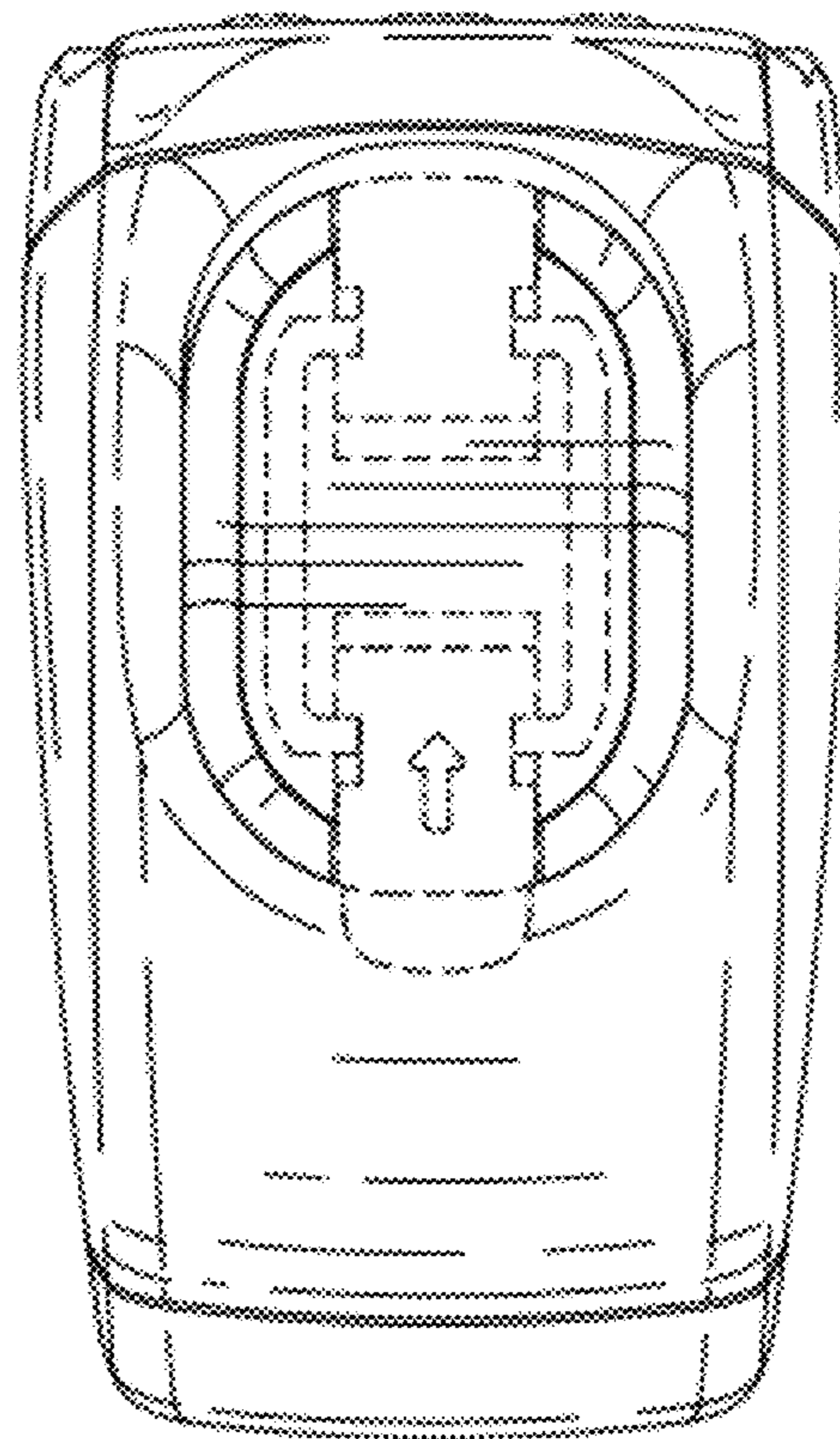


Fig-5

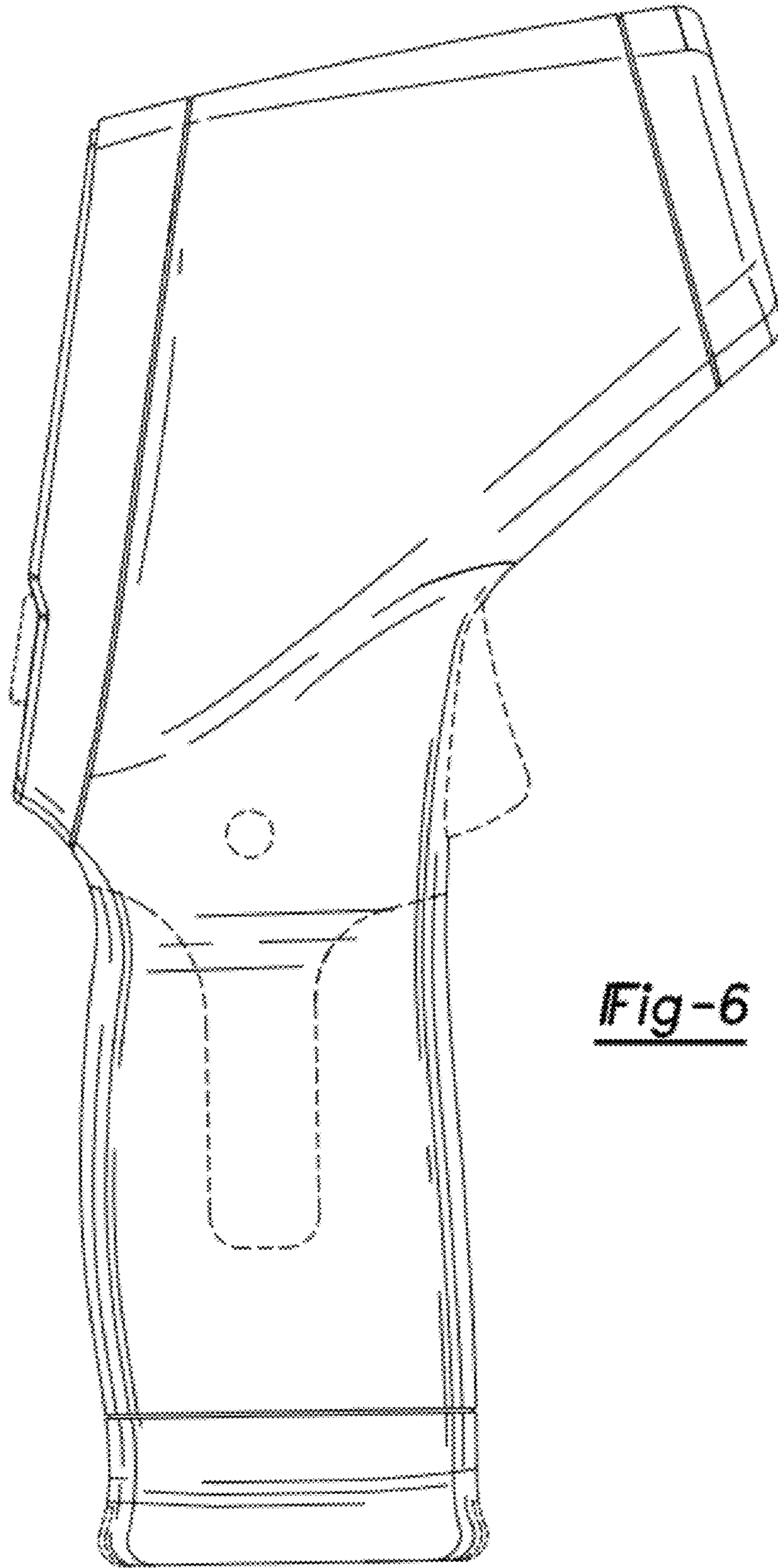


Fig-6

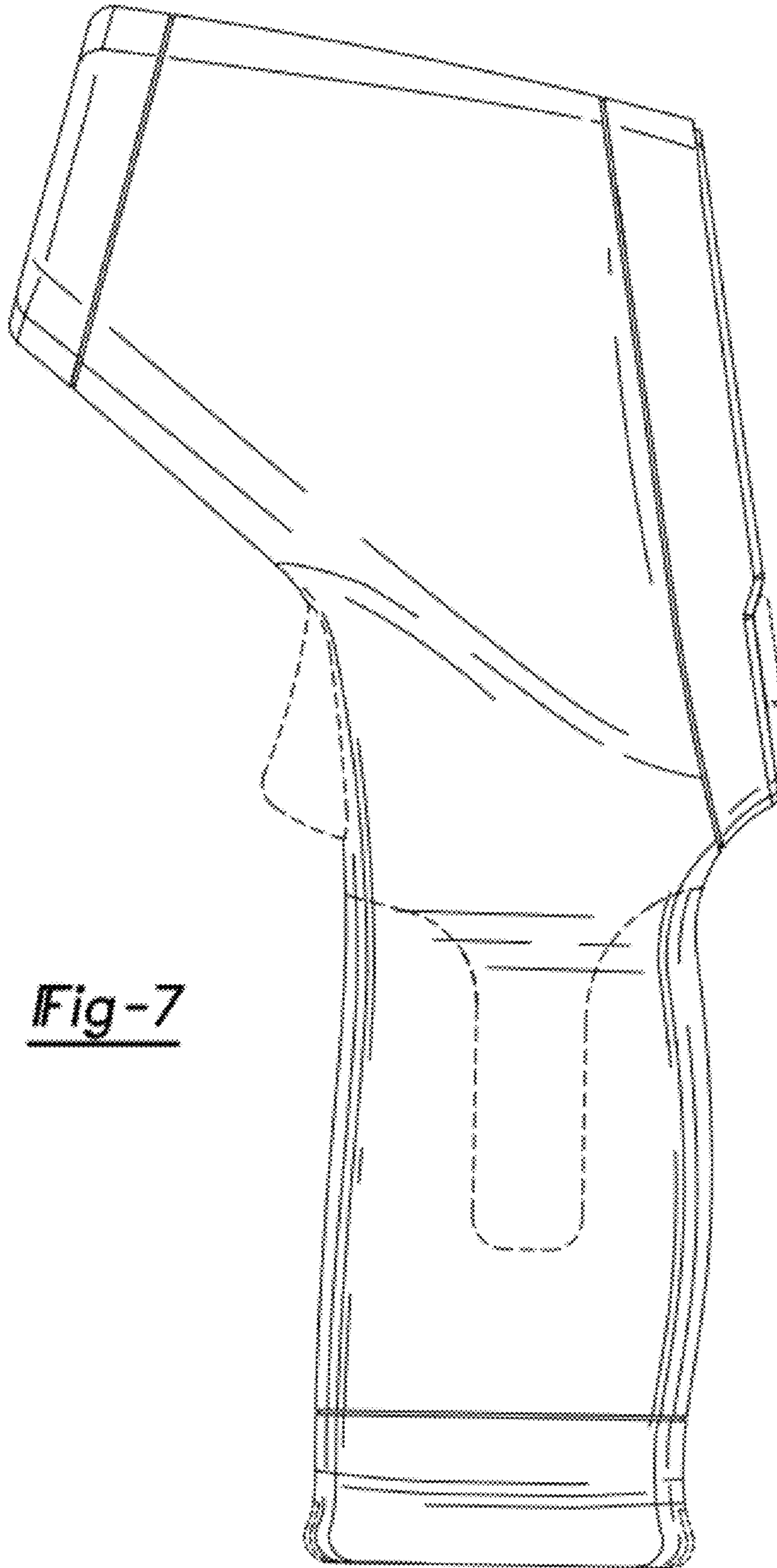


Fig-7

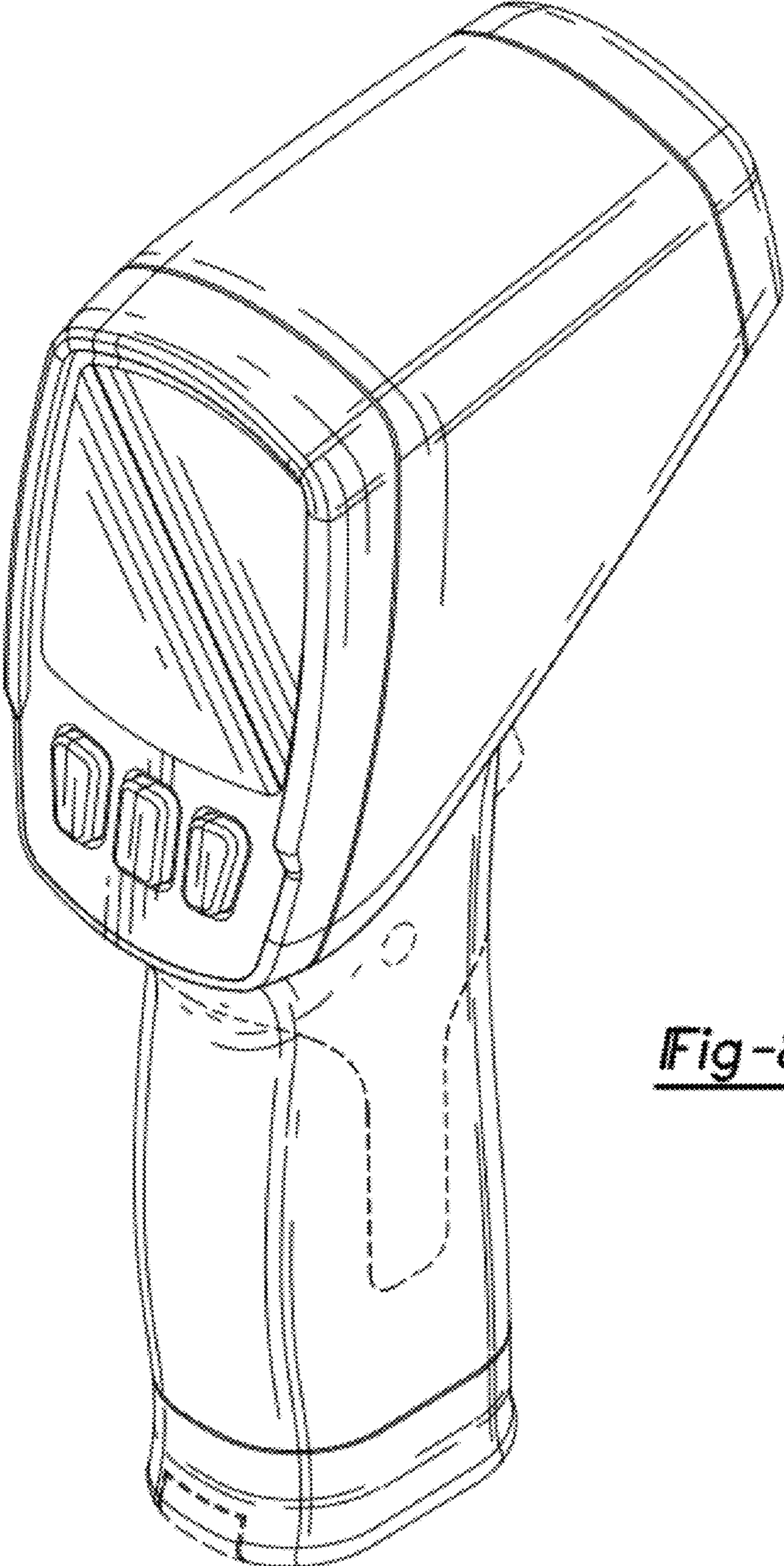


Fig-8

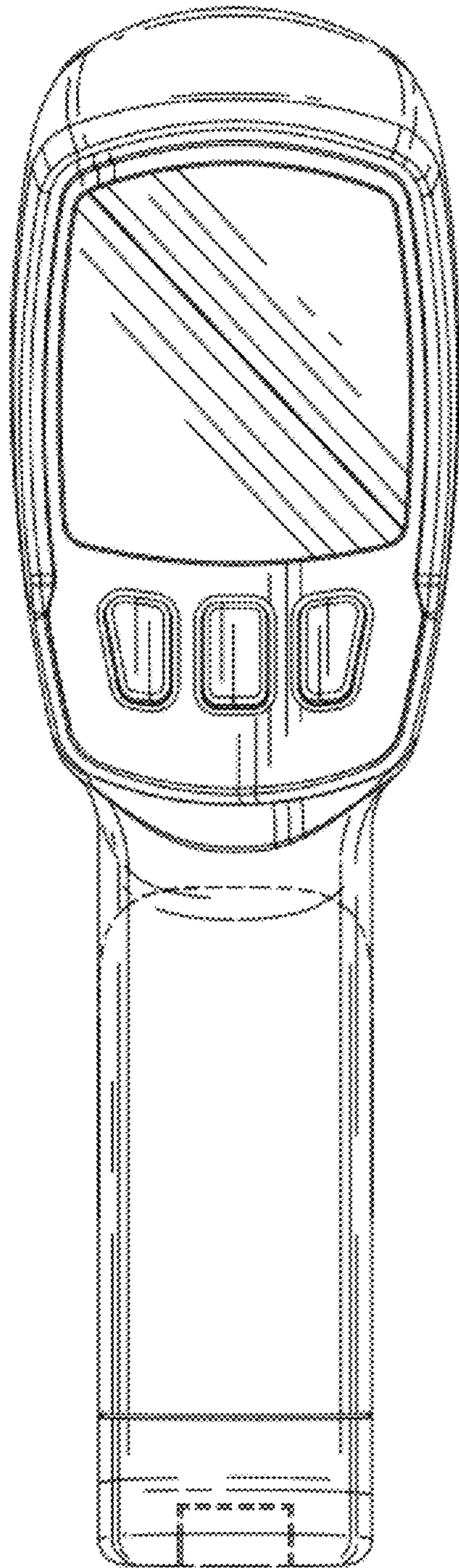


Fig-9

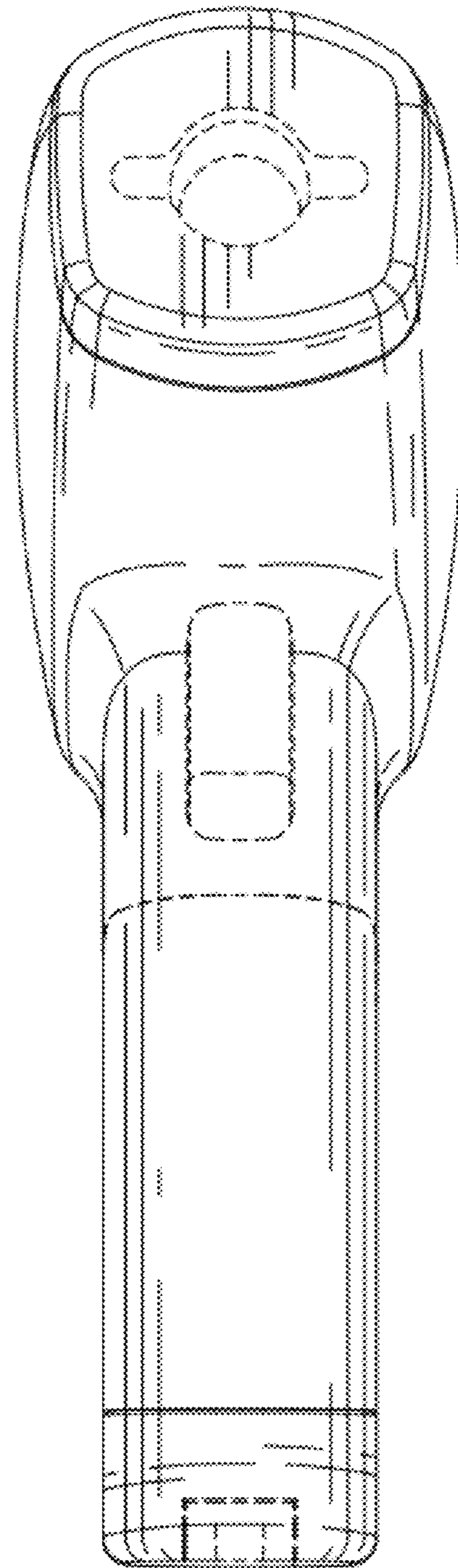


Fig-10

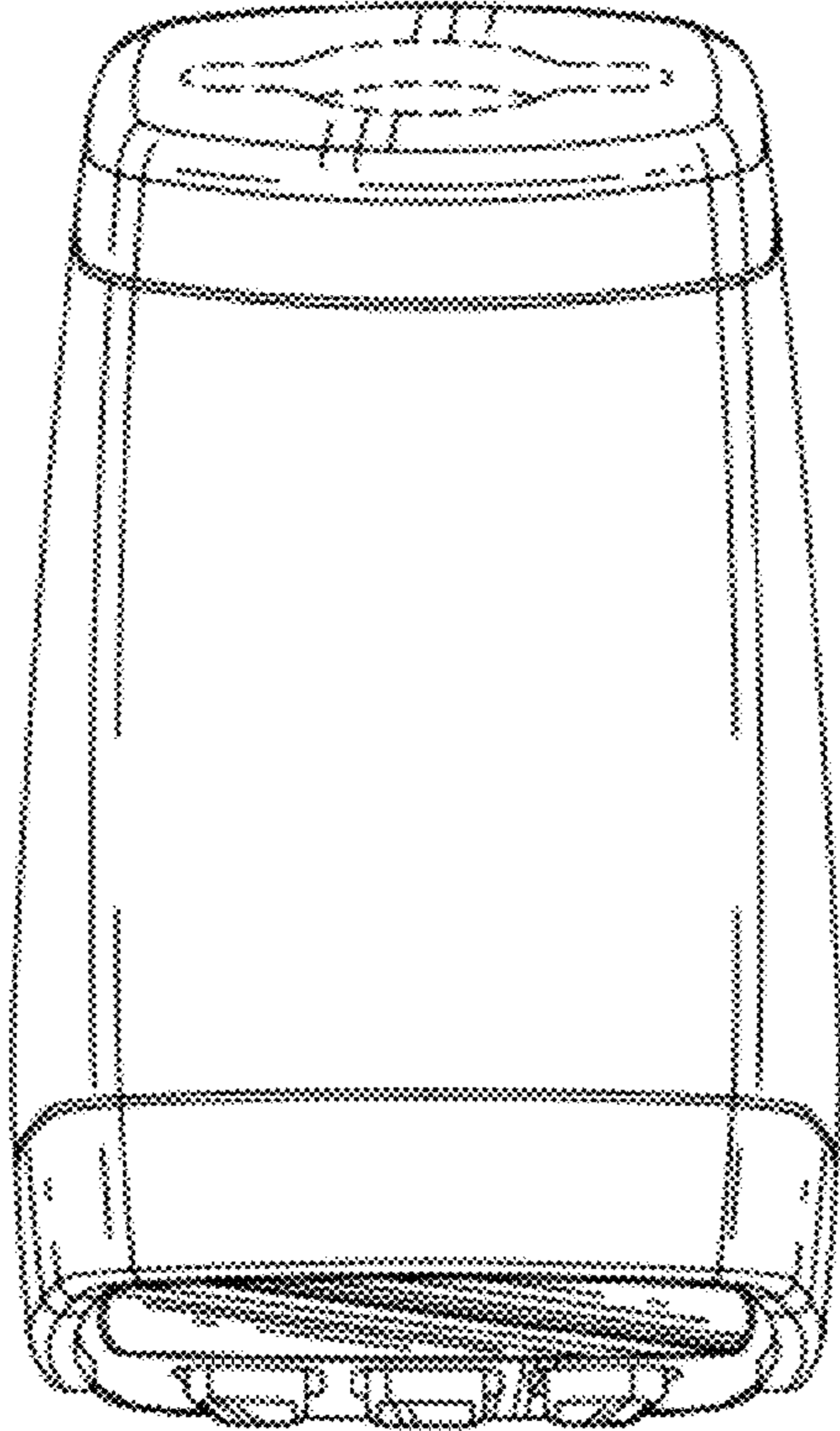


Fig-11

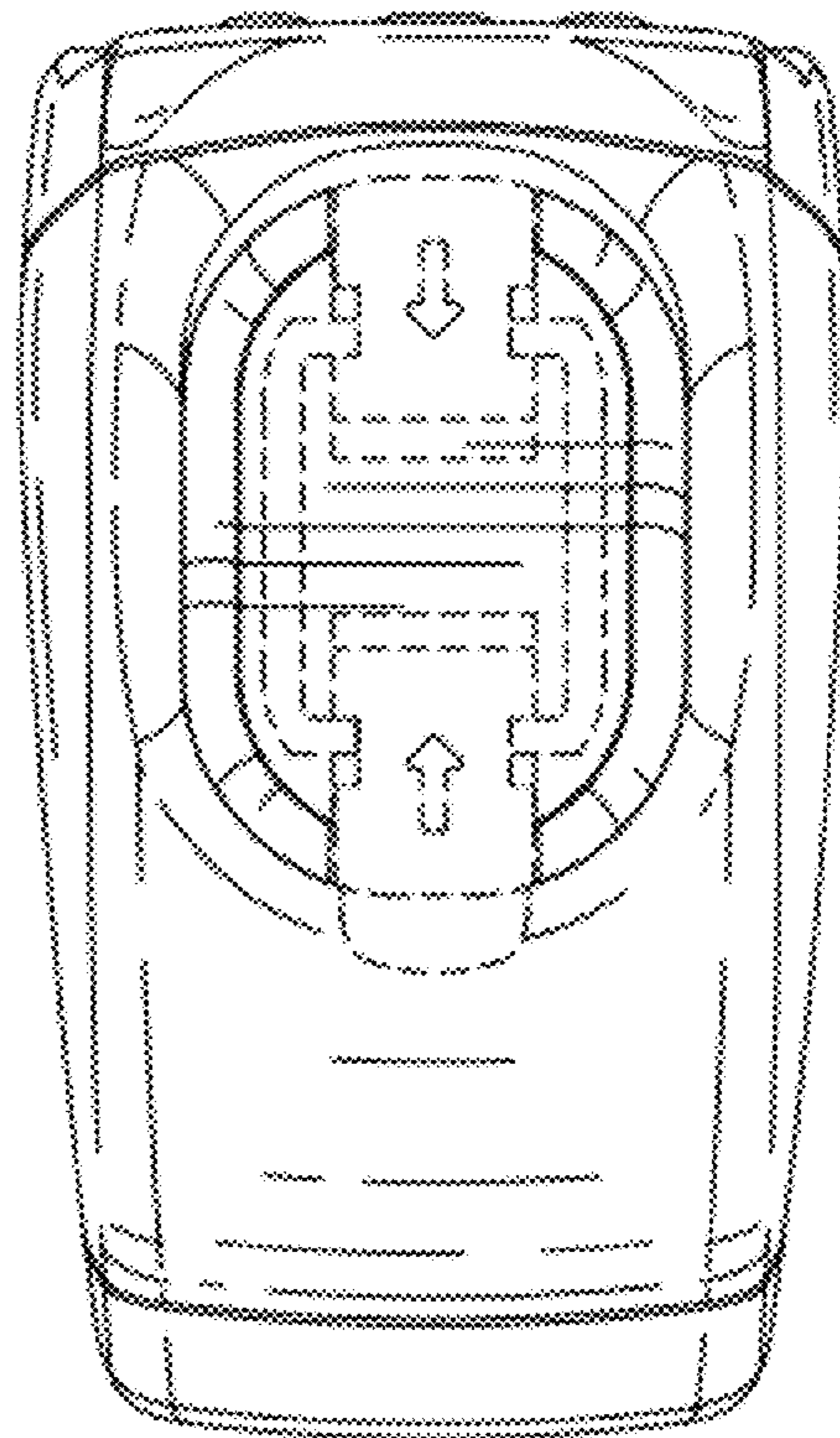


Fig-12

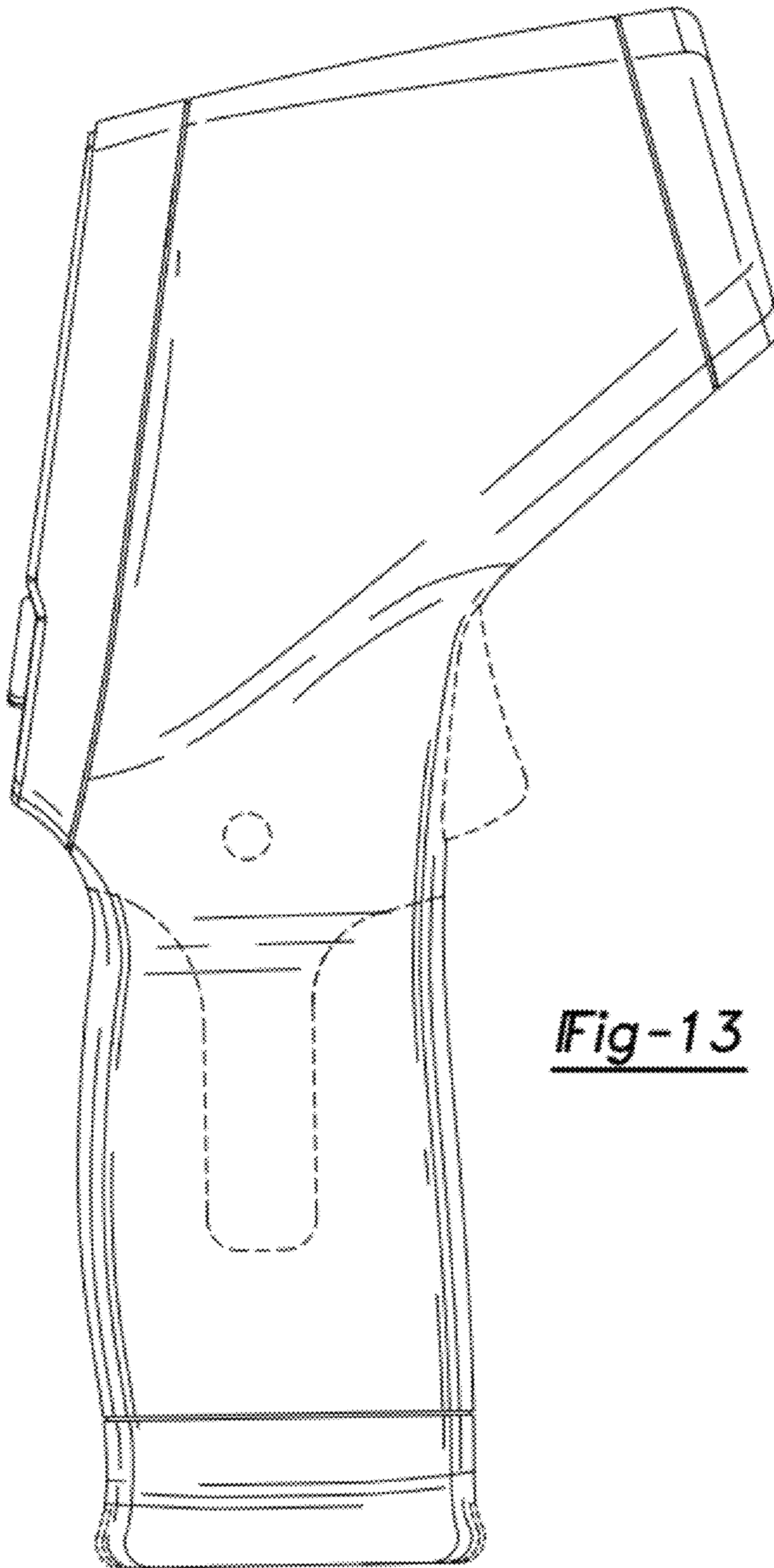


Fig-13

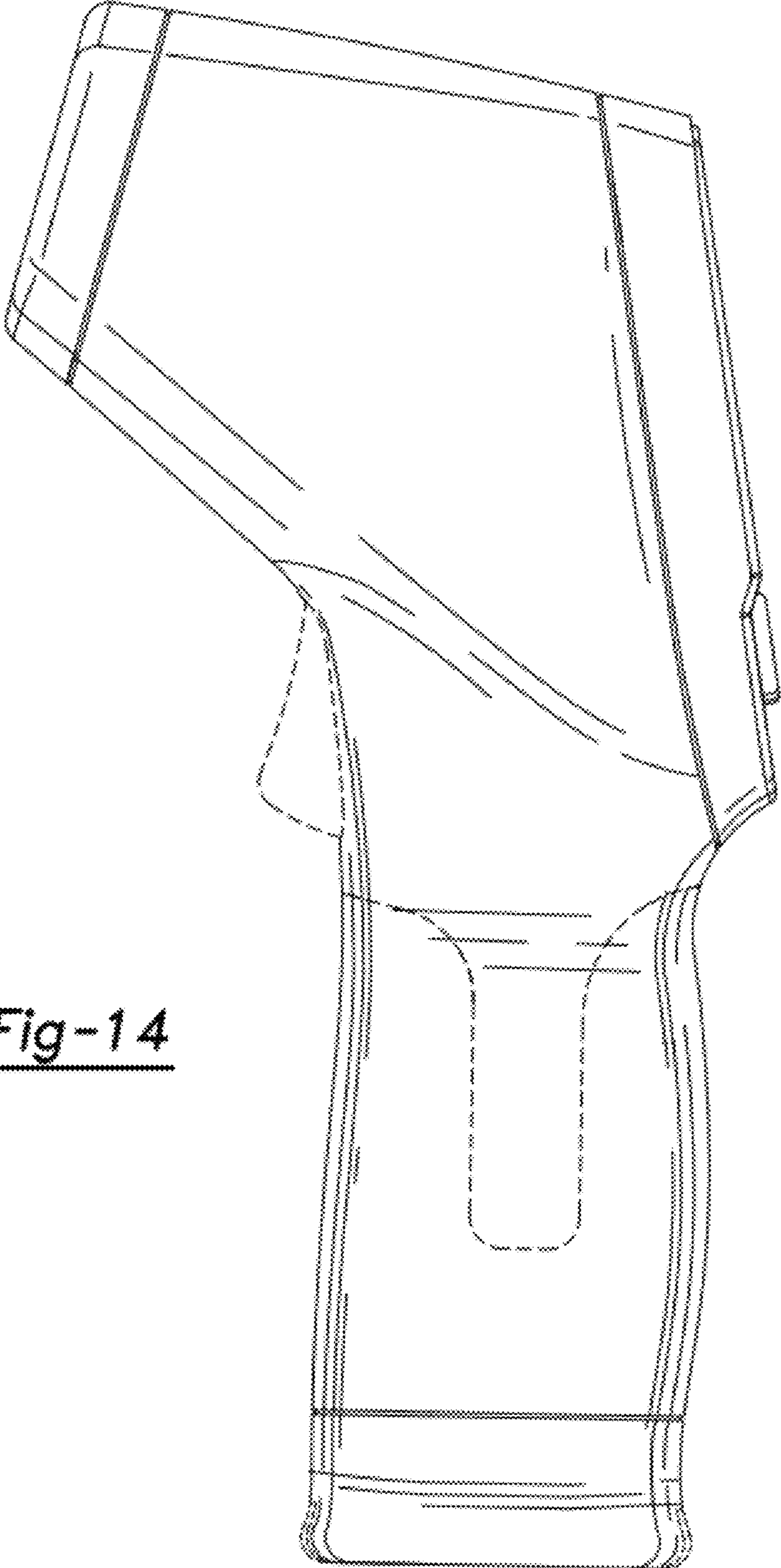


Fig-14

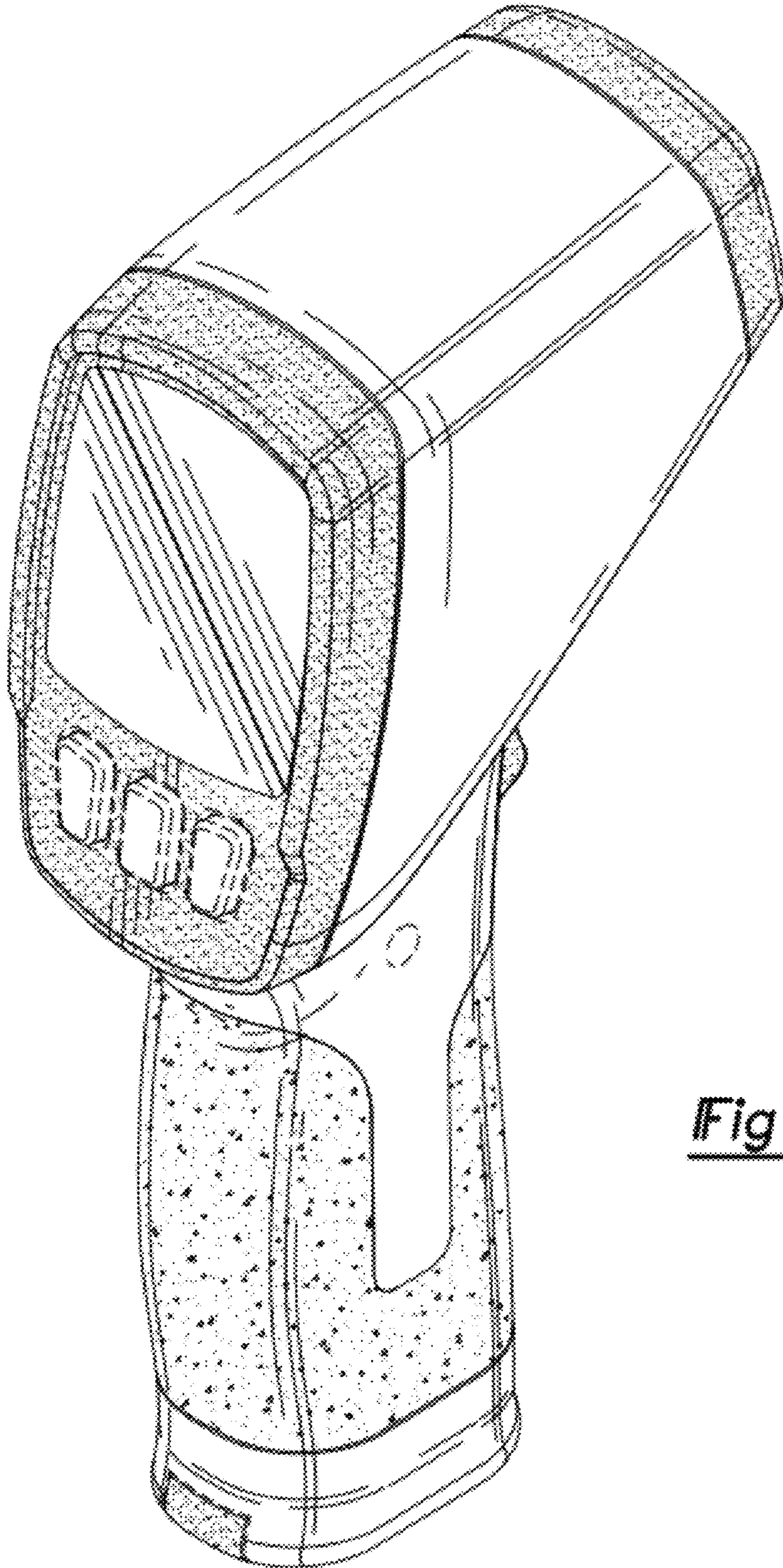


Fig-15

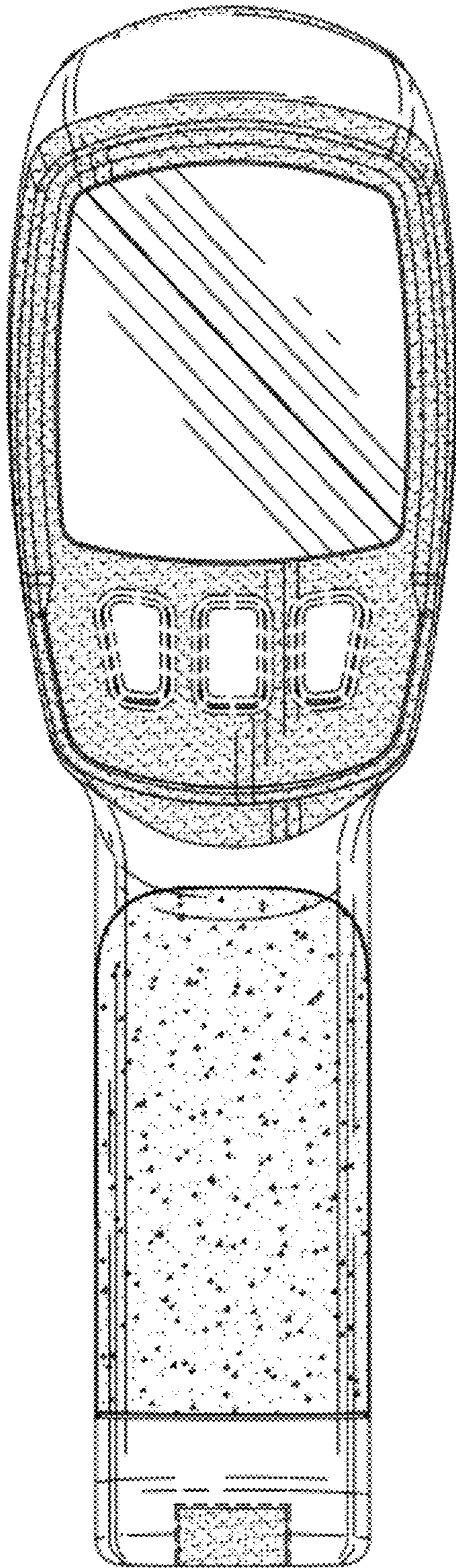


Fig-16

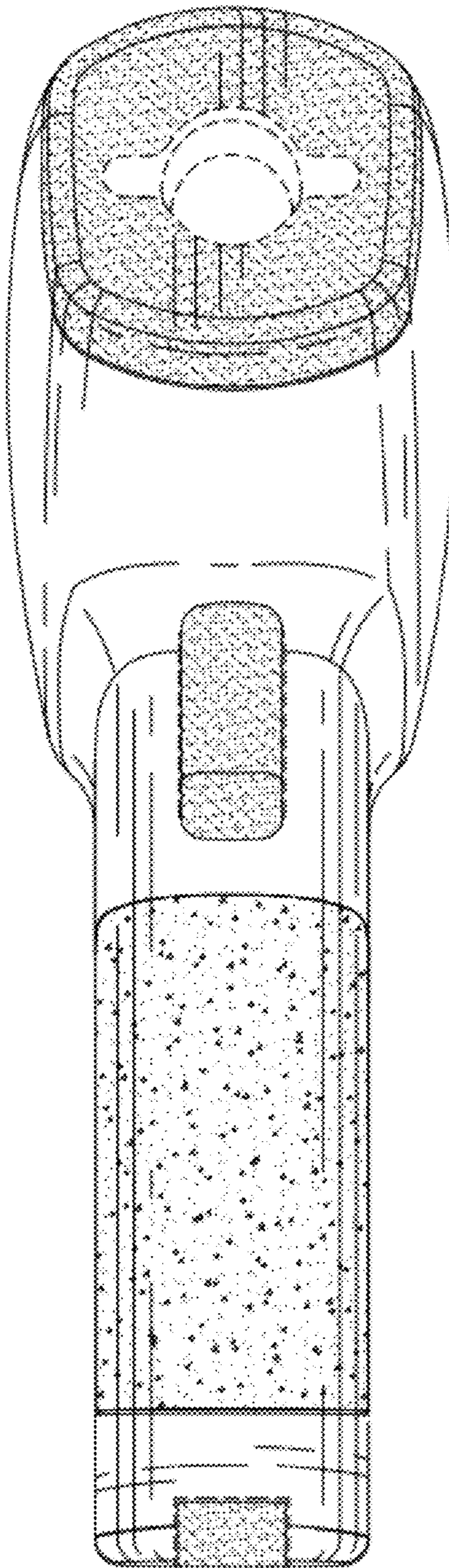


Fig-17

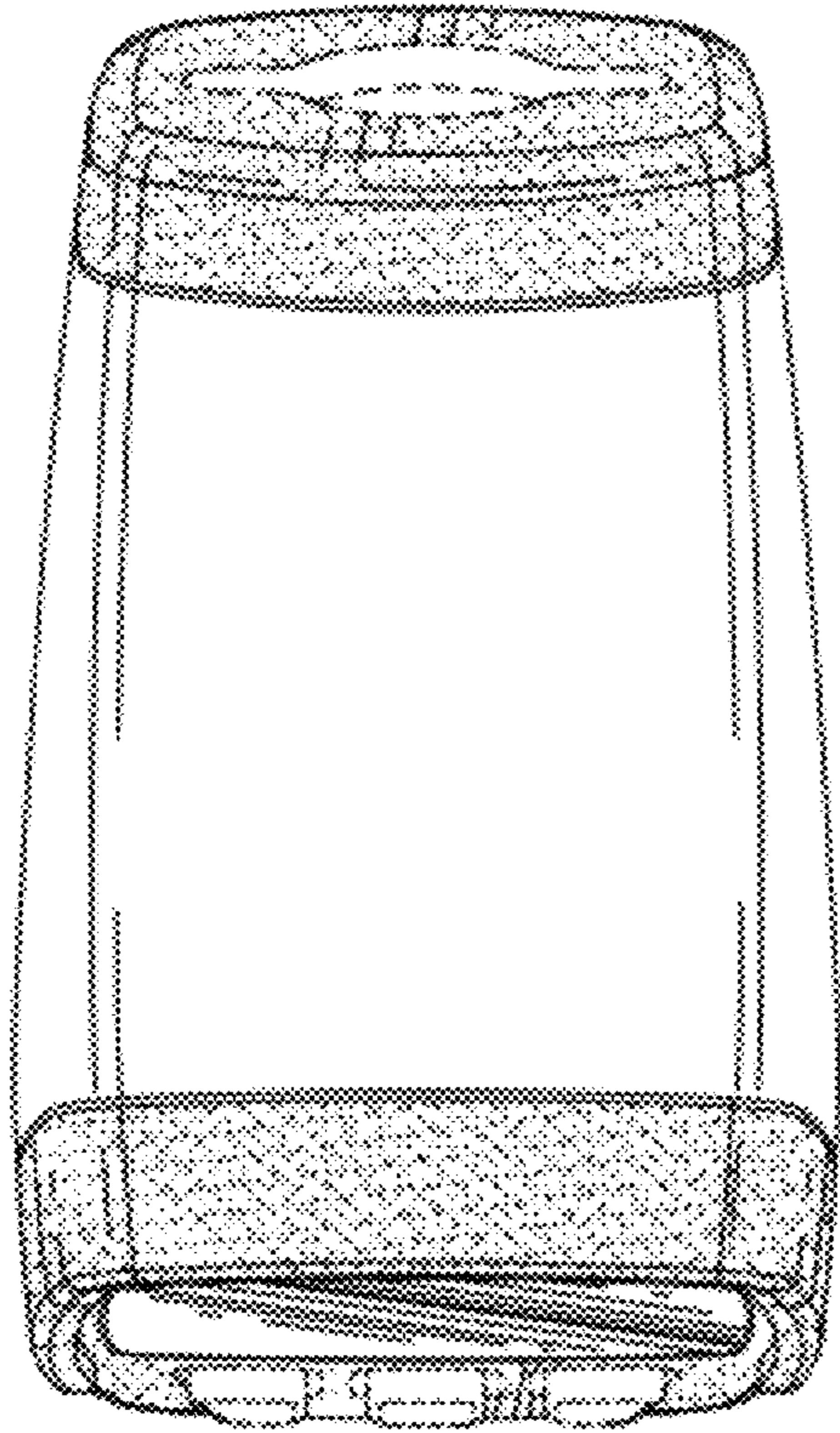


Fig-18

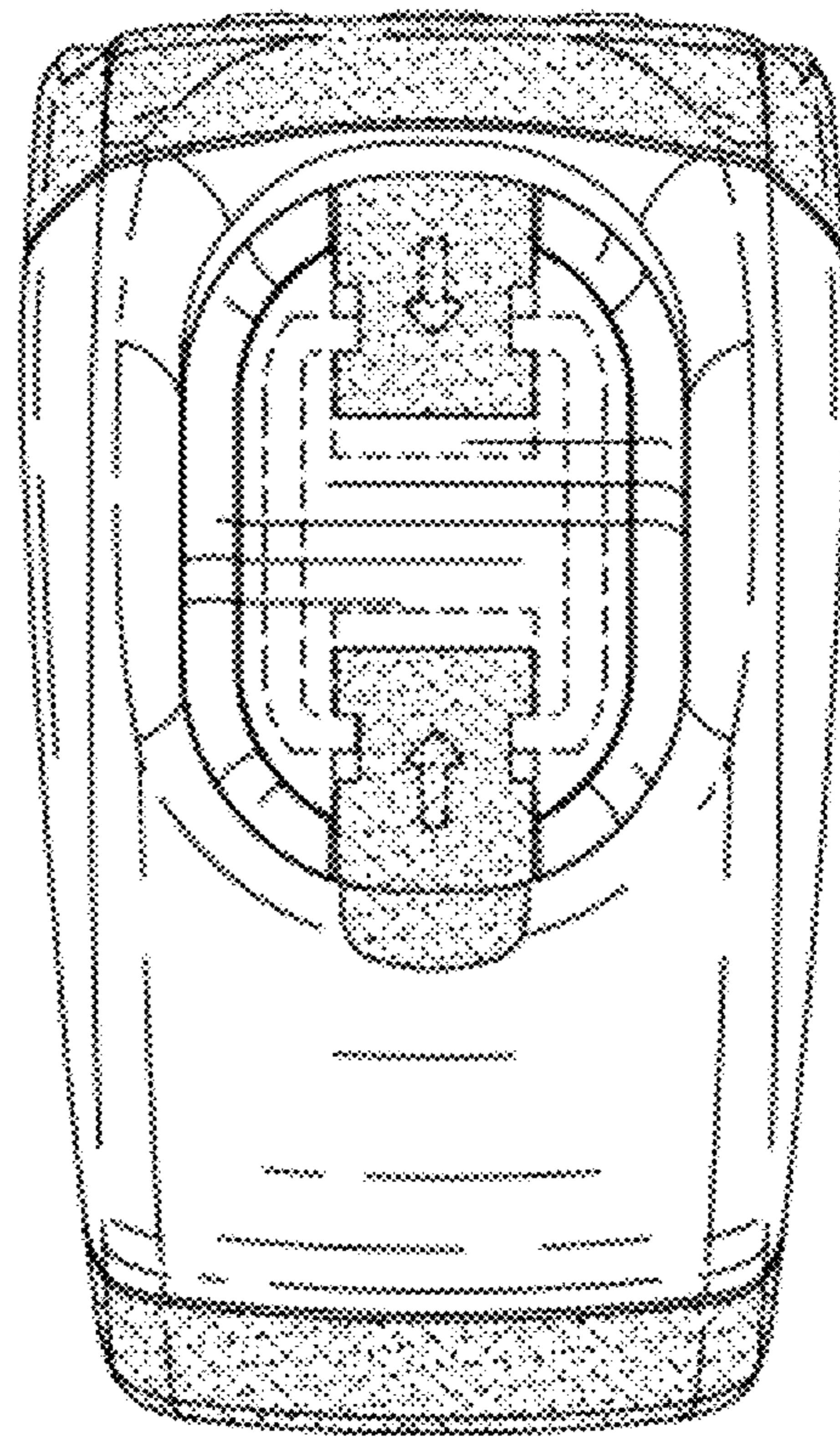


Fig-19

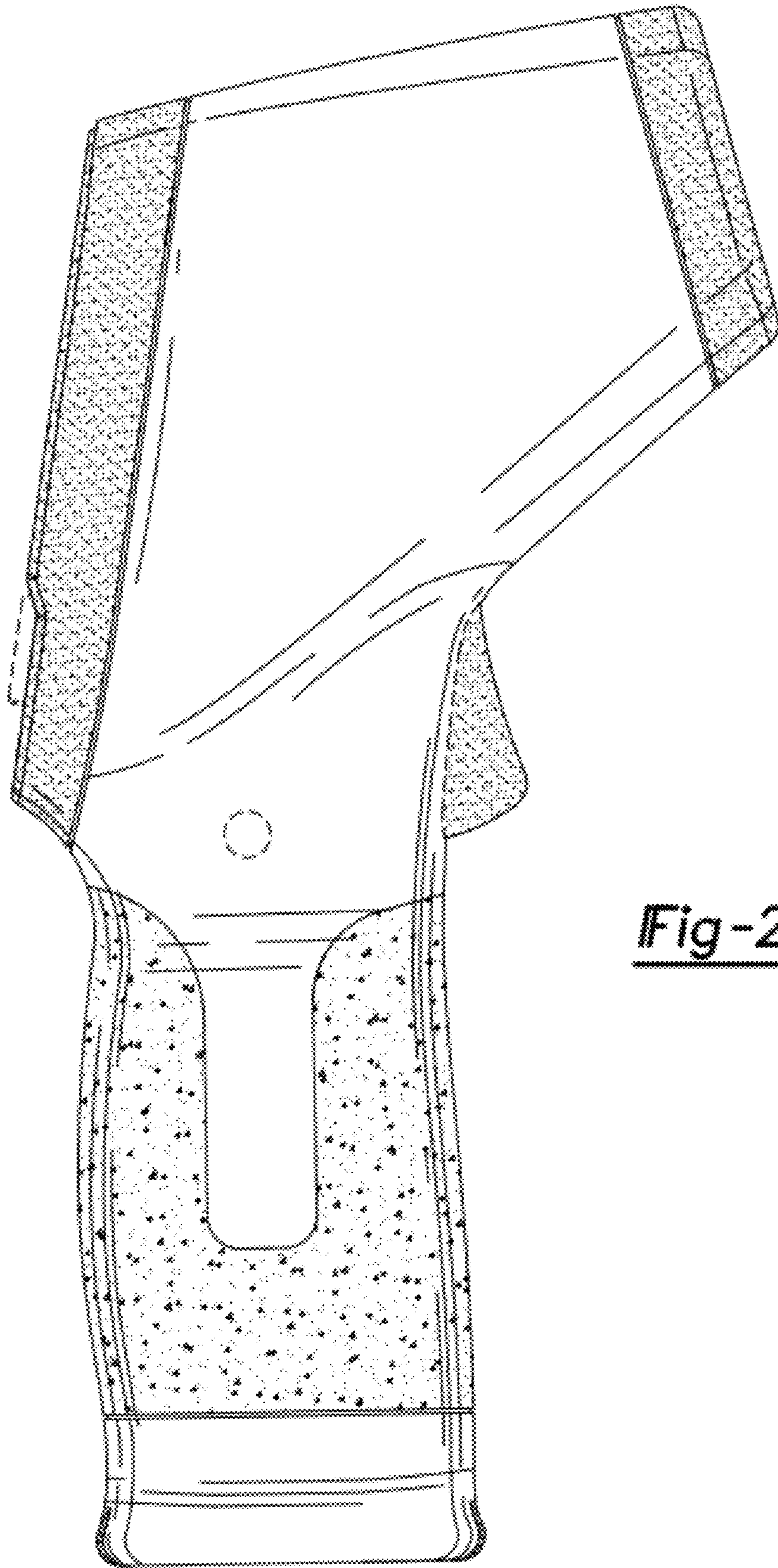


Fig-20

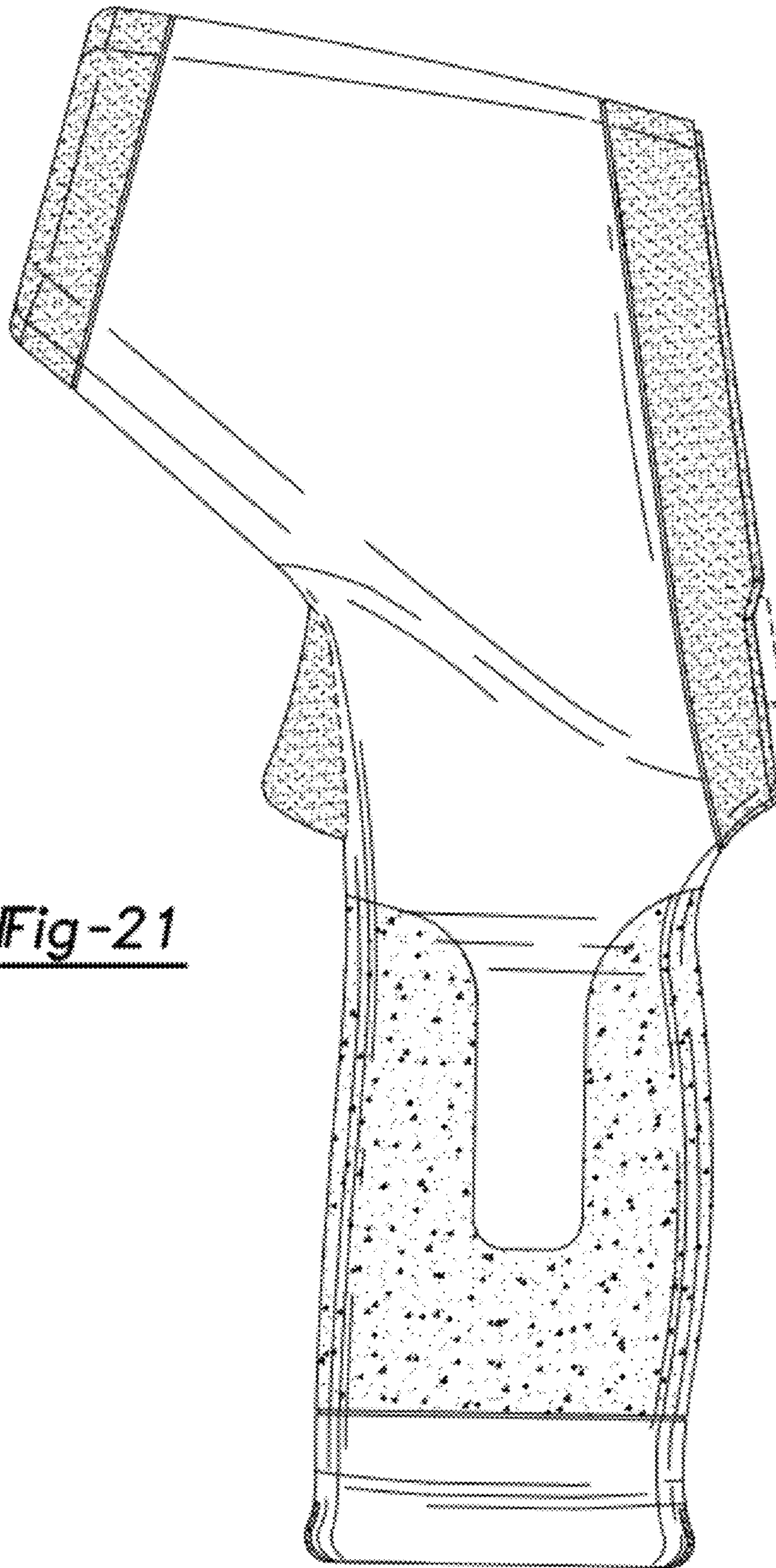


Fig-21