

US00D668555S

(12) **United States Design Patent**
Archie, Jr. et al.

(10) **Patent No.:** **US D668,555 S**
(45) **Date of Patent:** **** Oct. 9, 2012**

(54) **DUAL COMPARTMENT SANDWICH CONTAINER**

(75) Inventors: **Willard Nelson Archie, Jr.**, Hillsborough, CA (US); **Christopher Loew**, Palo Alto, CA (US)

(73) Assignee: **Contain This!, LLC**, Hillsborough, CA (US)

(**) Term: **14 Years**

(21) Appl. No.: **29/389,394**

(22) Filed: **Apr. 11, 2011**

(51) **LOC (9) Cl.** **09-03**

(52) **U.S. Cl.** **D9/761; D9/421; D9/424**

(58) **Field of Classification Search** **D9/737, D9/761, 424, 430-432, 420, 422, 425, 421; D7/550, 553, 555; 206/561, 564; 220/500, 220/555, 657, 659, 904; 229/404**

See application file for complete search history.

(56) **References Cited**

U.S. PATENT DOCUMENTS

2,682,970 A 7/1954 Brothers, Jr.
(Continued)

OTHER PUBLICATIONS

International Search Report and Written Opinion for International Application No. PCT/US2011/022376 mailed Mar. 21, 2011.

(Continued)

Primary Examiner — Mark Goodwin

(74) *Attorney, Agent, or Firm* — Armstrong Teasdale LLP

(57) **CLAIM**

The ornamental design for a dual compartment sandwich container, as shown and described.

DESCRIPTION

This application claims the priority of nonprovisional patent application Ser. No. 12/873,892, entitled “Dual Compart-

ment Sandwich Container and Method of Making Same”, which was filed on Sep. 1, 2010 and which is hereby incorporated by reference in its entirety. This application further claims the priority of nonprovisional patent application Ser. No. 12/873,916, entitled “Dual Compartment Sandwich Container and Method of Making Same”, which was filed on Sep. 1, 2010 and which is hereby incorporated by reference in its entirety.

FIG. 1 is a perspective, partially exploded view of our new dual compartment sandwich container in an open position and having a top section with a least a portion of a latching mechanism, an at least partially removable tray section, an adjustable and reversible divider section hingedly coupled to the top section, and a bottom section hingedly coupled to the top section with another portion of the latching mechanism.

FIG. 2 is a perspective view of the dual compartment sandwich container in an open position with the tray section positioned within the bottom section.

FIG. 3 is a perspective view of the dual compartment sandwich container in a fully closed position.

FIG. 4 is a front elevation view of the dual compartment sandwich container in a fully closed position.

FIG. 5 is a rear elevation view of the dual compartment sandwich container in a fully closed position.

FIG. 6 is a right side elevation view of the dual compartment sandwich container in a fully closed position.

FIG. 7 is a left side elevation view of the dual compartment sandwich container in a fully closed position.

FIG. 8 is a top plan view of the dual compartment sandwich container in a fully closed position.

FIG. 9 is a bottom plan view of the dual compartment sandwich container in a fully closed position.

FIG. 10 is a bottom plan view of the dual compartment sandwich container in a fully open position.

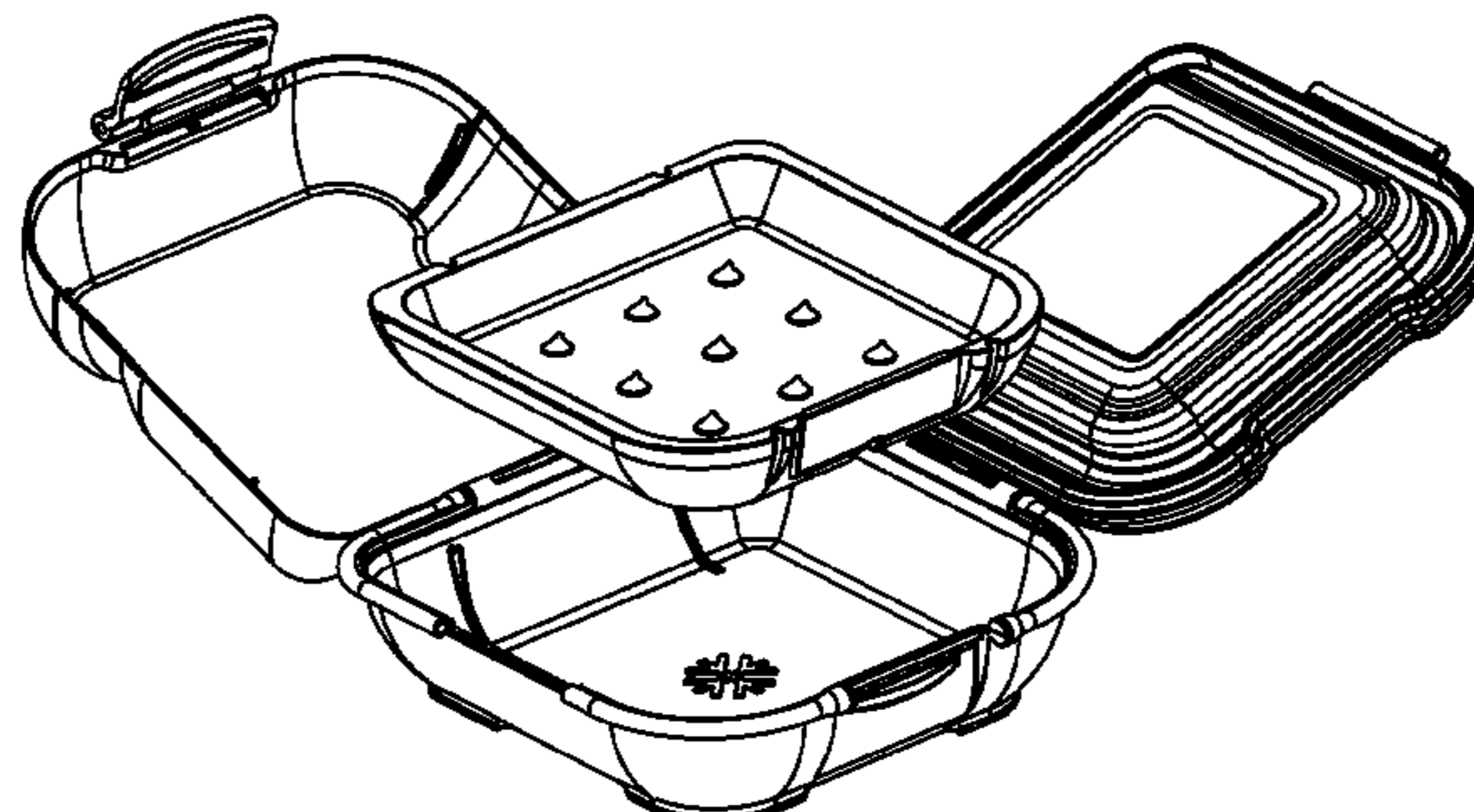
FIG. 11 is a top plan view of the dual compartment sandwich container in a fully open position, with the tray section positioned within the bottom section, and the adjustable divider section in an open position.

FIG. 12 is a top plan view of the dual compartment sandwich container in a fully open position, with the tray section removed from the bottom section and the adjustable divider section in an open position.

FIG. 13 is a top plan view of the dual compartment sandwich container in an open position, with the adjustable divider section in a closed position to cover the bottom section; and,

FIG. 14 is a perspective view of the dual compartment sandwich container in an open position, with the adjustable divider section in a closed position to cover the bottom section.

1 Claim, 14 Drawing Sheets



US D668,555 S

Page 2

U.S. PATENT DOCUMENTS

3,567,013 A * 3/1971 Tannebaum 206/538
3,580,650 A * 5/1971 Morris 312/7.1
3,933,296 A * 1/1976 Ruskin et al. 229/406
D252,853 S * 9/1979 Perkins D9/421
4,844,330 A 7/1989 Roosa et al.
4,951,866 A 8/1990 Rusnak
5,012,971 A 5/1991 Cozzi et al.
5,258,191 A 11/1993 Hayes
5,277,329 A 1/1994 Pomroy et al.
5,300,748 A * 4/1994 Colombo 219/734
5,323,926 A 6/1994 Pomroy et al.
5,462,192 A 10/1995 Pomroy et al.
5,505,328 A 4/1996 Stribiak
5,560,483 A 10/1996 Sequin
5,718,347 A 2/1998 Walker et al.
D398,846 S * 9/1998 Wyslowsky D9/425

D398,847 S * 9/1998 Wyslowsky et al. D9/425
5,950,834 A * 9/1999 Woodnorth et al. 206/541
6,048,503 A 4/2000 Riley et al.
D516,388 S * 3/2006 Wells D7/629
D571,617 S * 6/2008 Di Serio et al. D7/629
D649,869 S * 12/2011 Gibson et al. D9/421
2004/0206765 A1 10/2004 McMahon, III et al.
2005/0037113 A1 2/2005 Archie, Jr.
2008/0164259 A1 7/2008 Coe et al.
2009/0250360 A1 10/2009 Bellamah et al.

OTHER PUBLICATIONS

International Search Report and Written Opinion for International
Application No. PCT/US2011/022394 mailed Mar. 21, 2011.

* cited by examiner

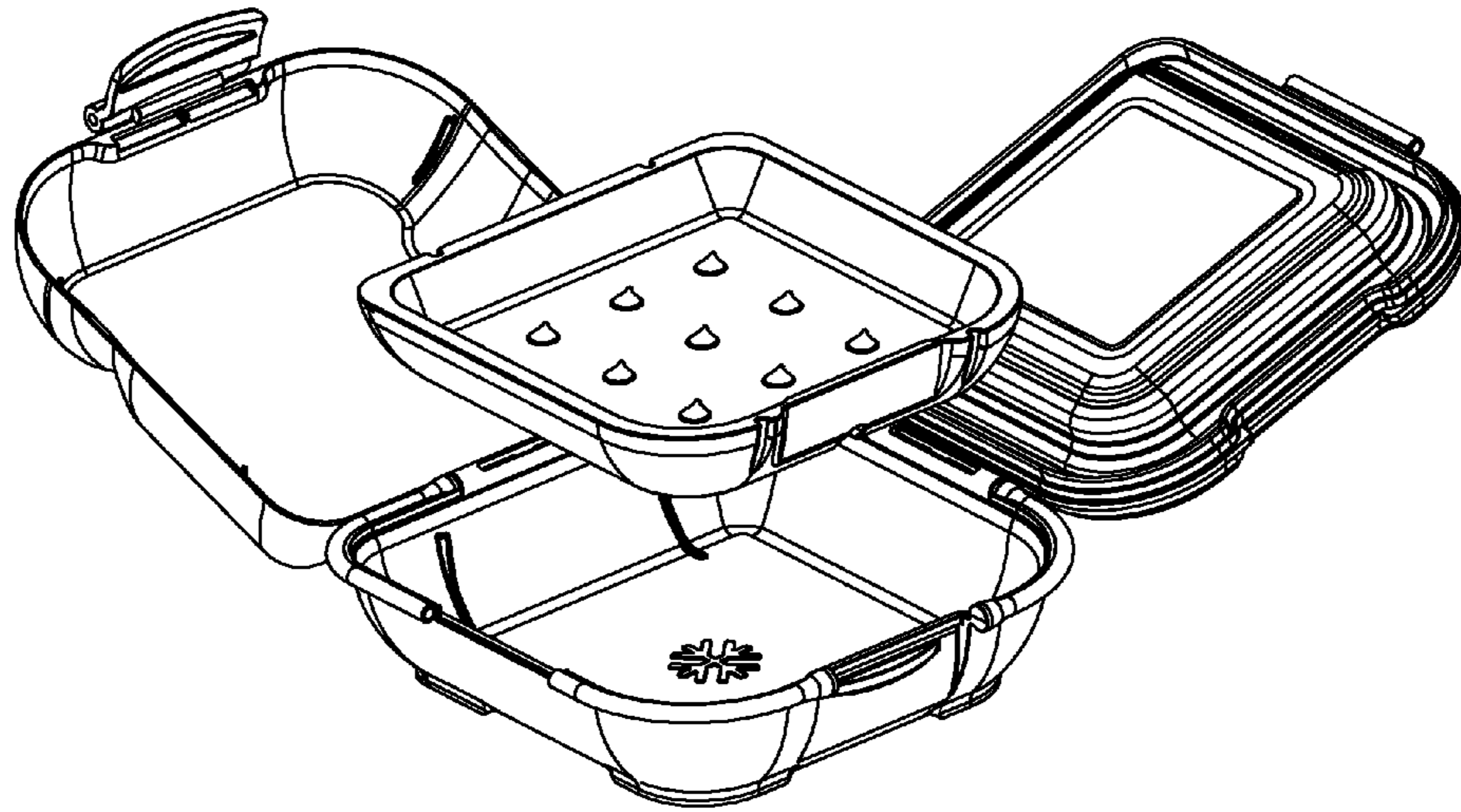


FIG. 1

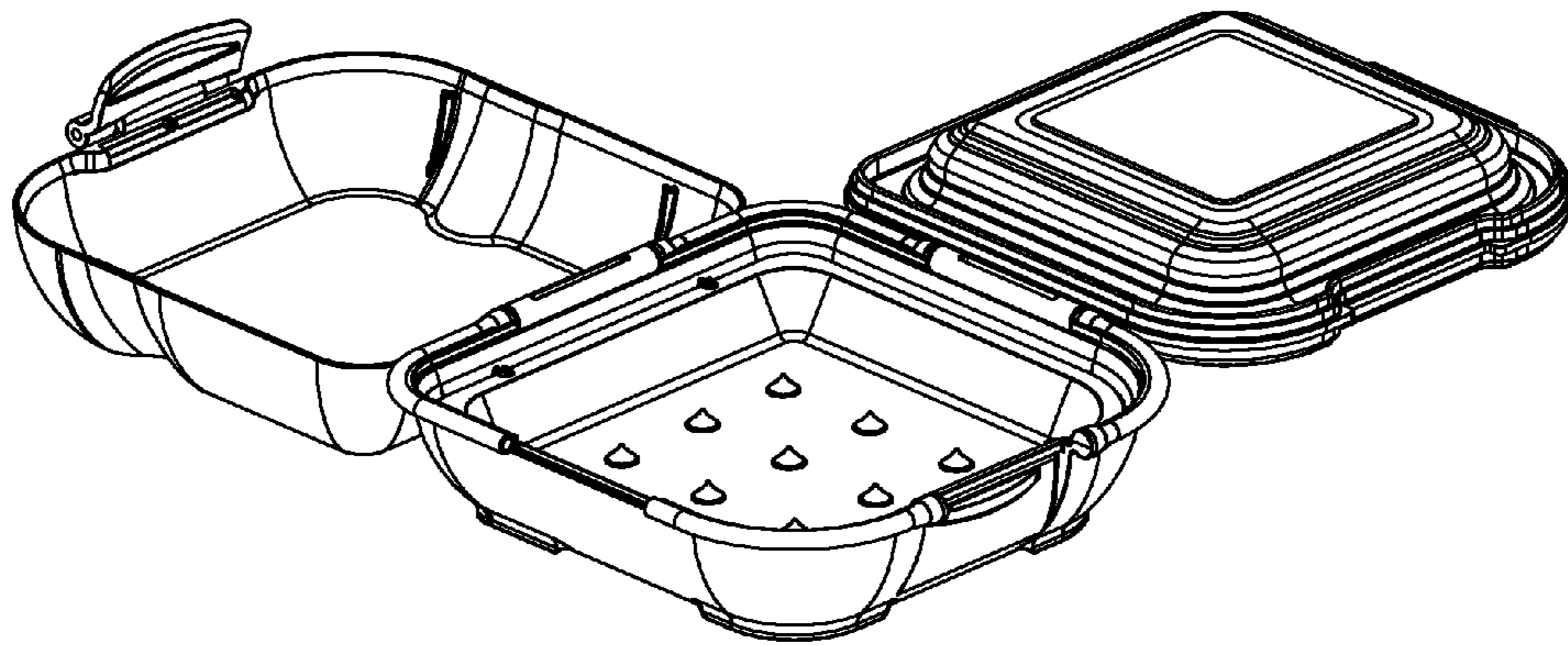


FIG. 2

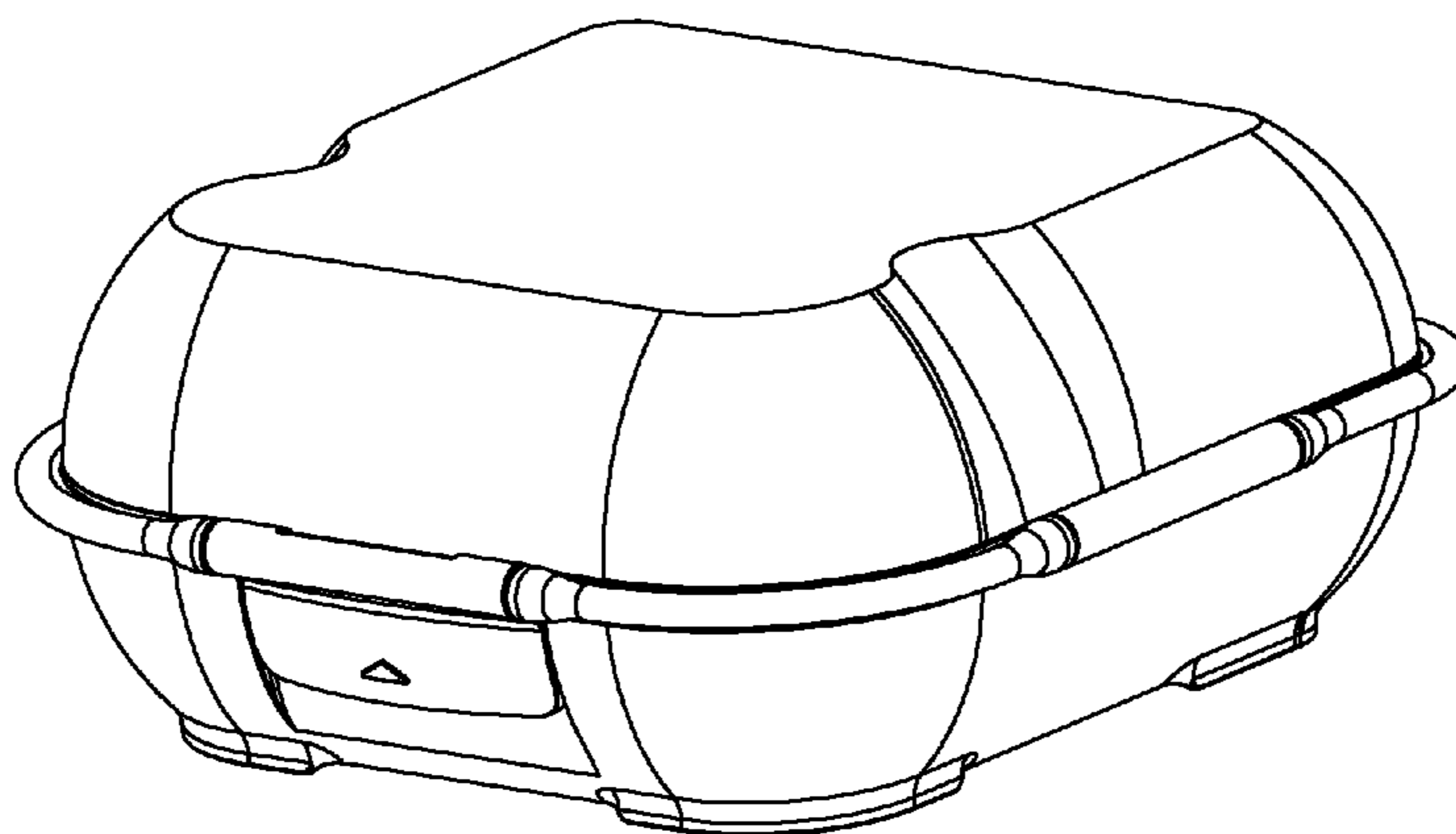


FIG. 3

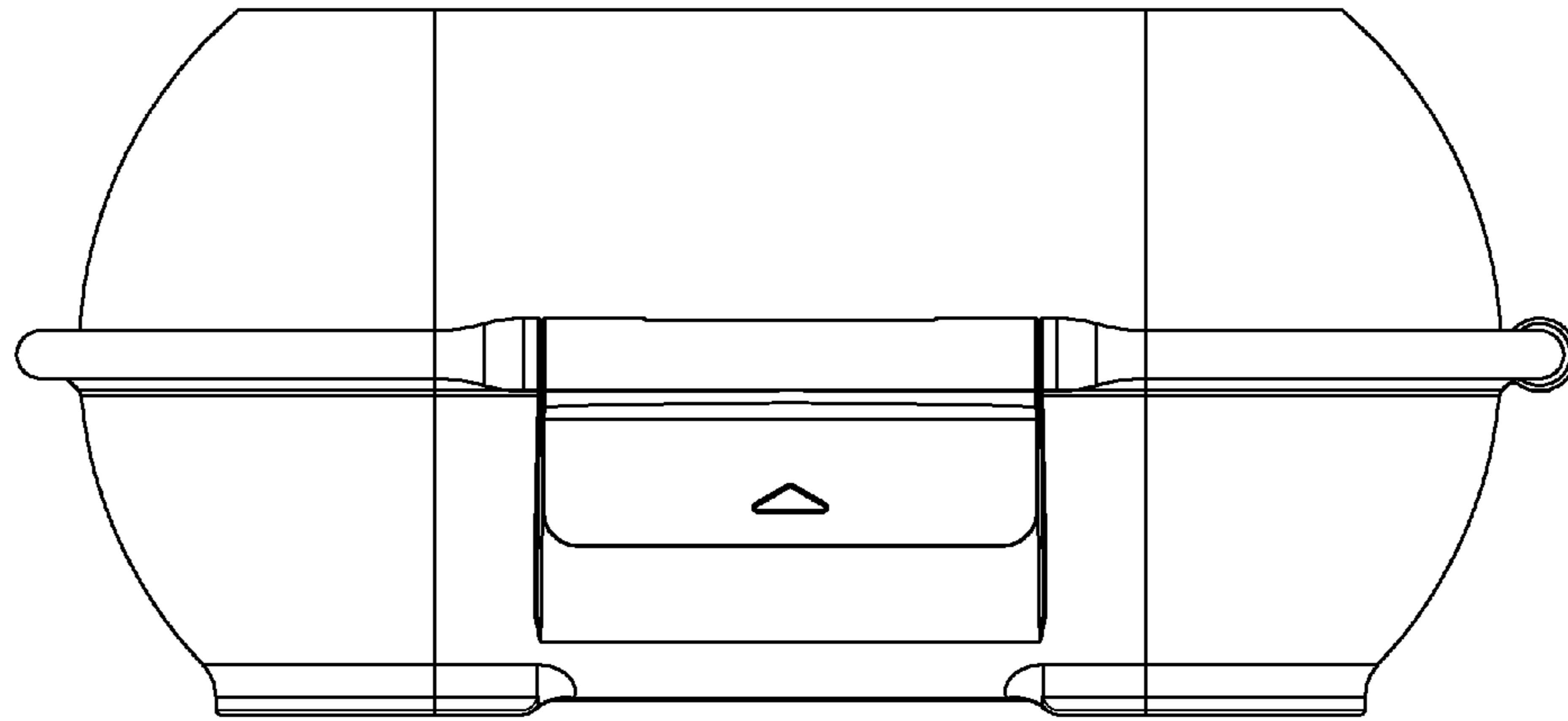


FIG. 4

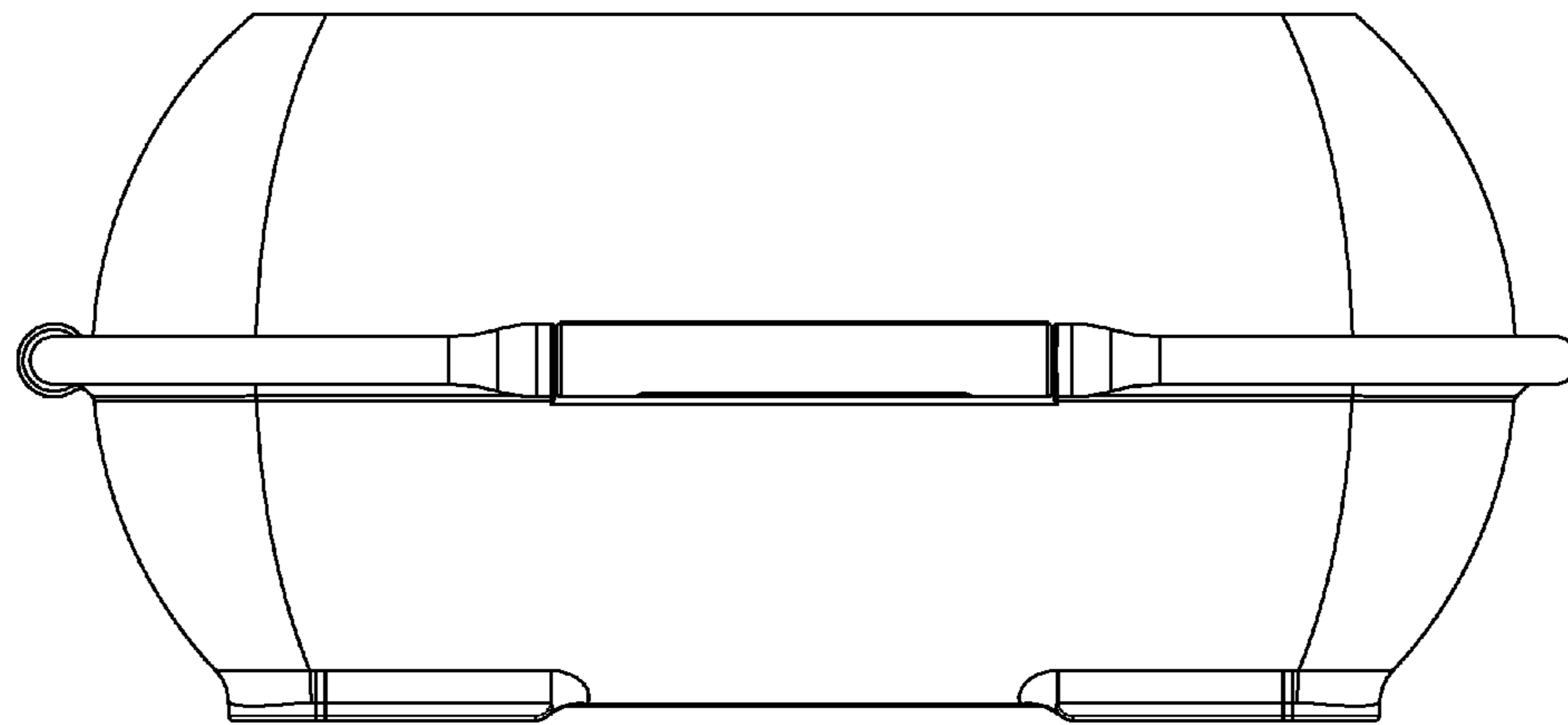


FIG. 5

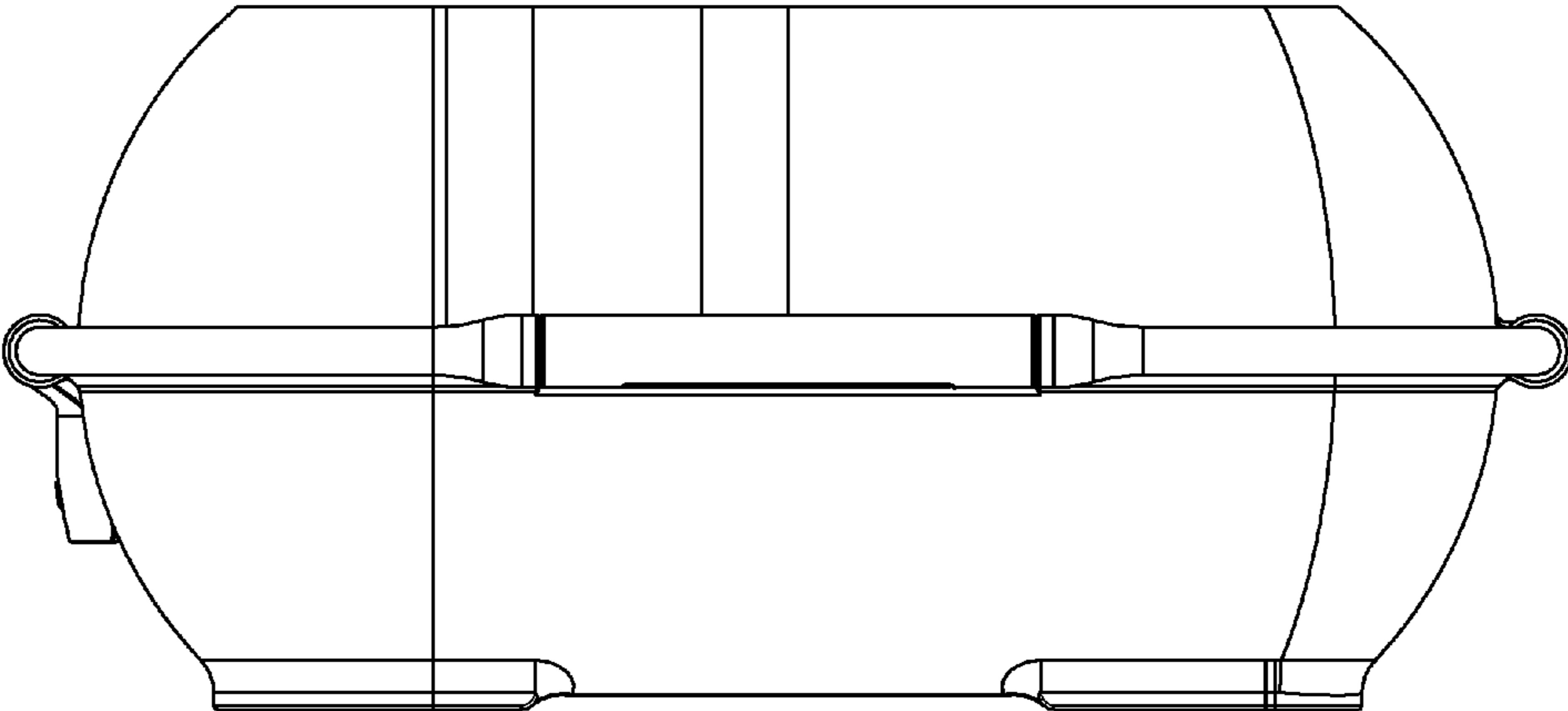


FIG. 6

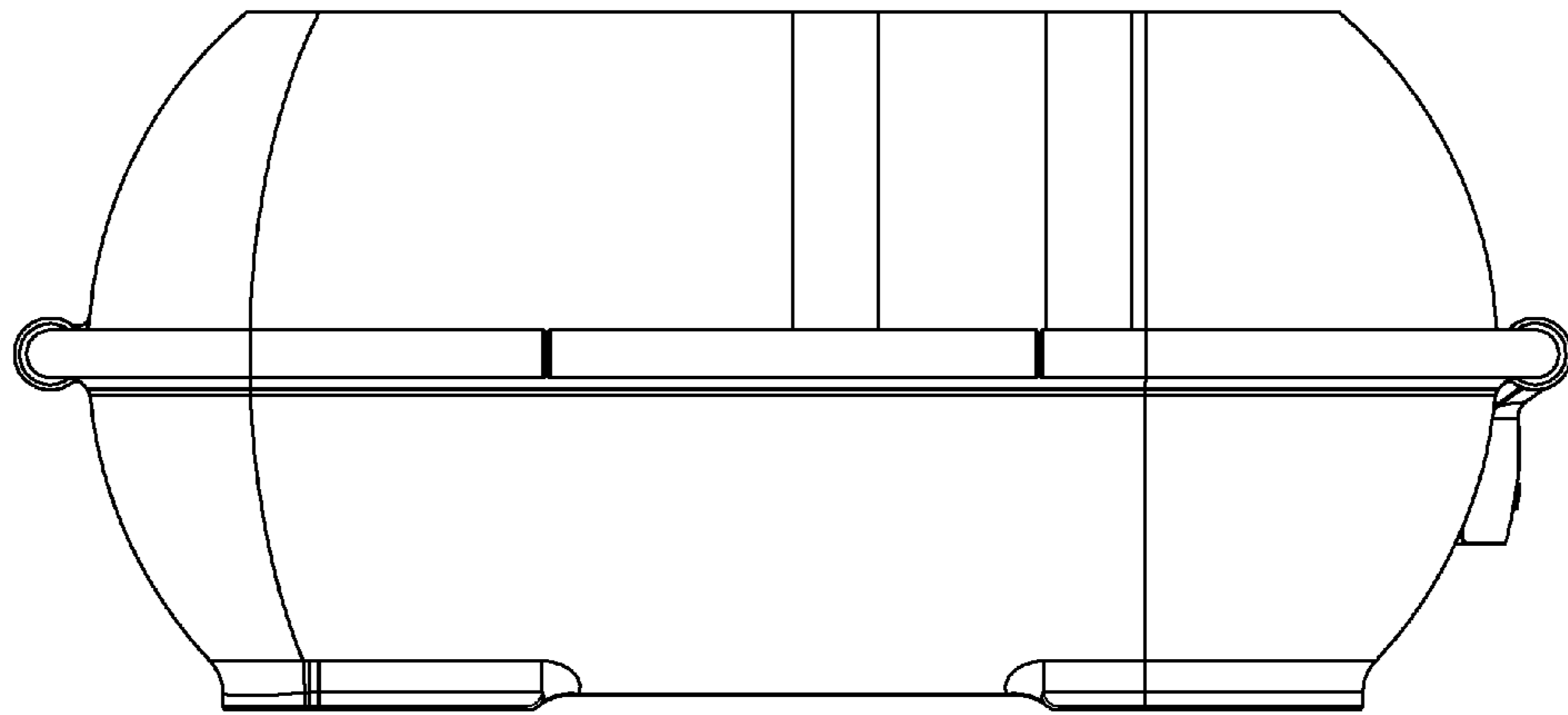


FIG. 7

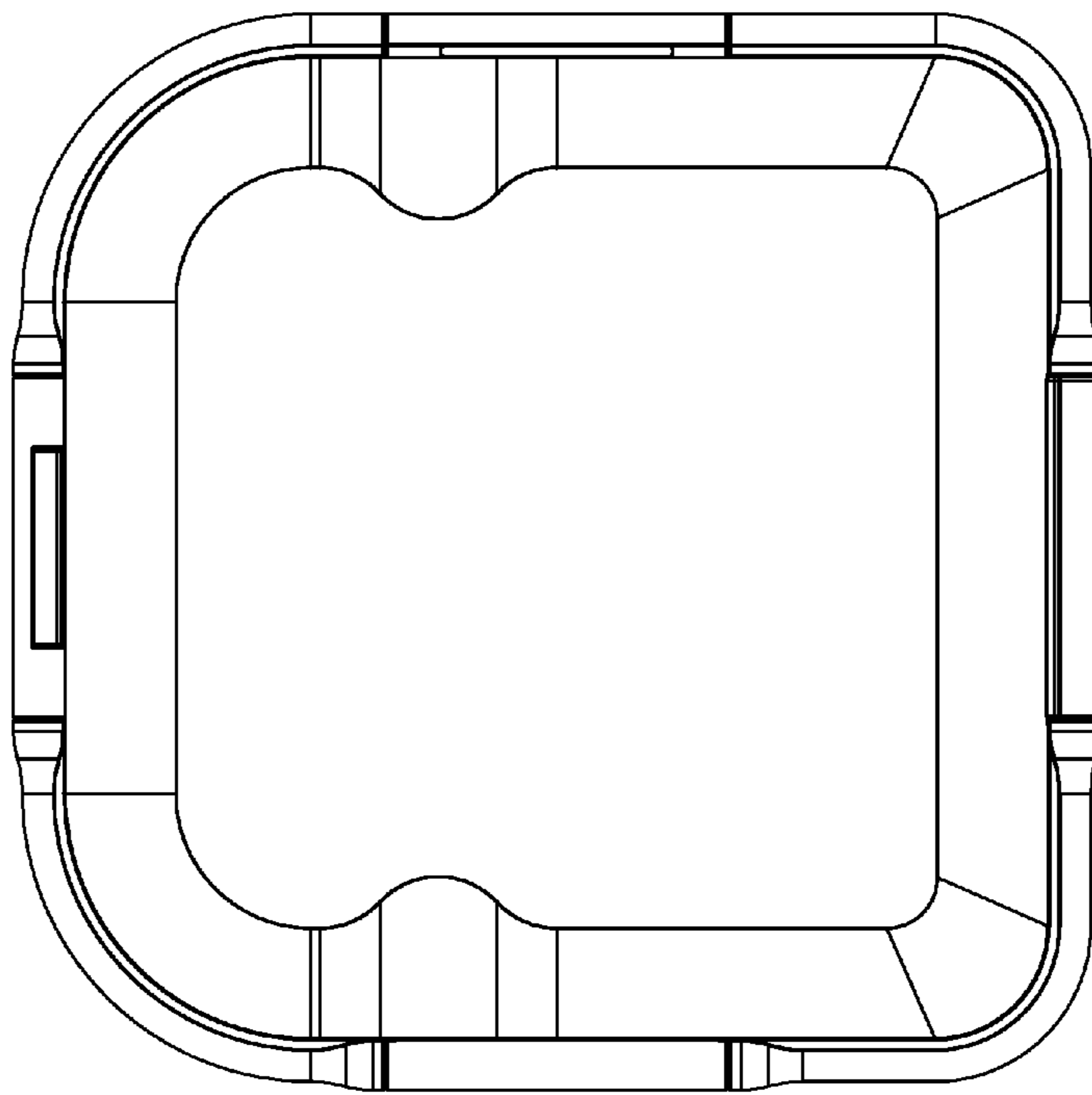


FIG. 8

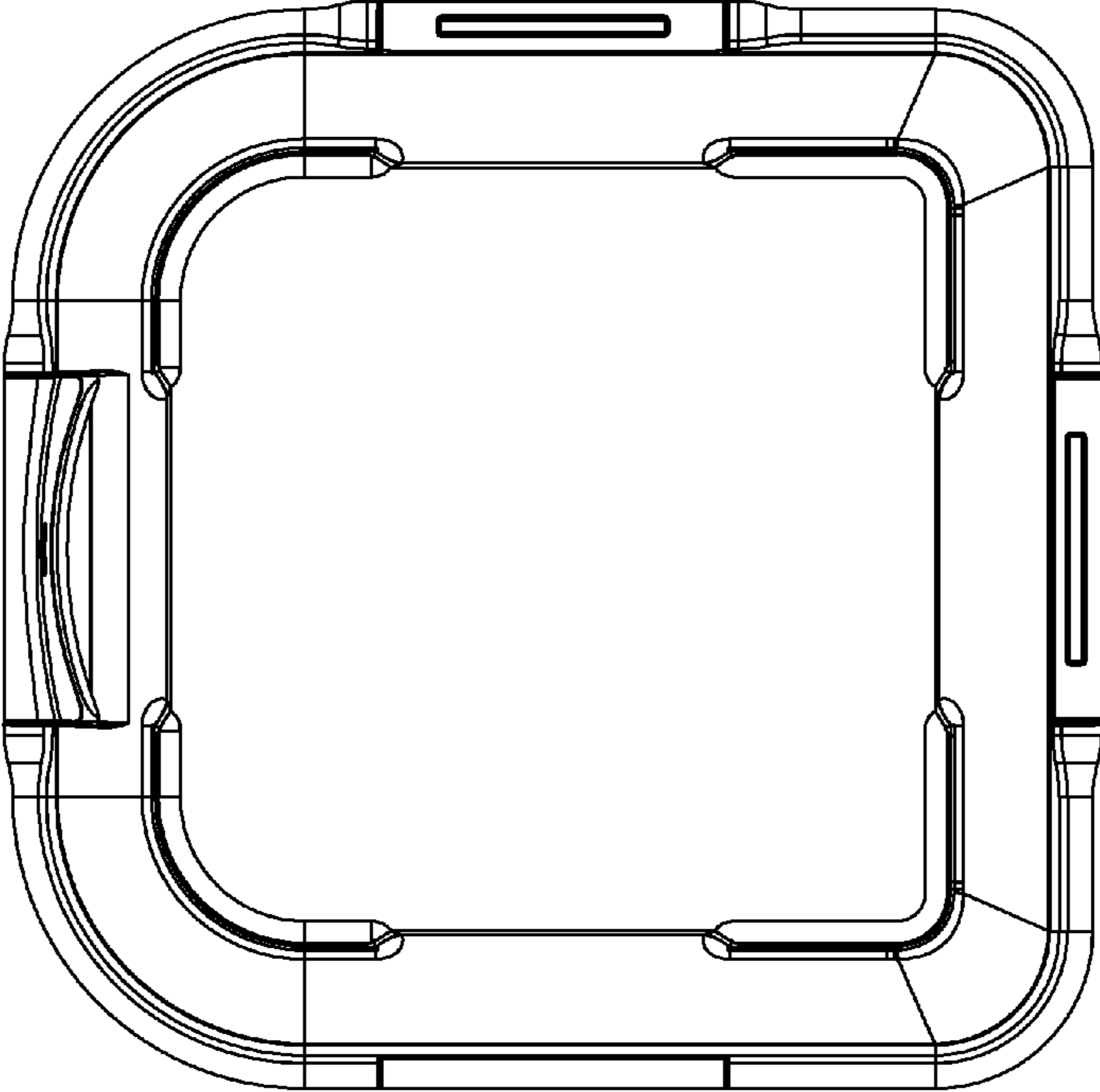
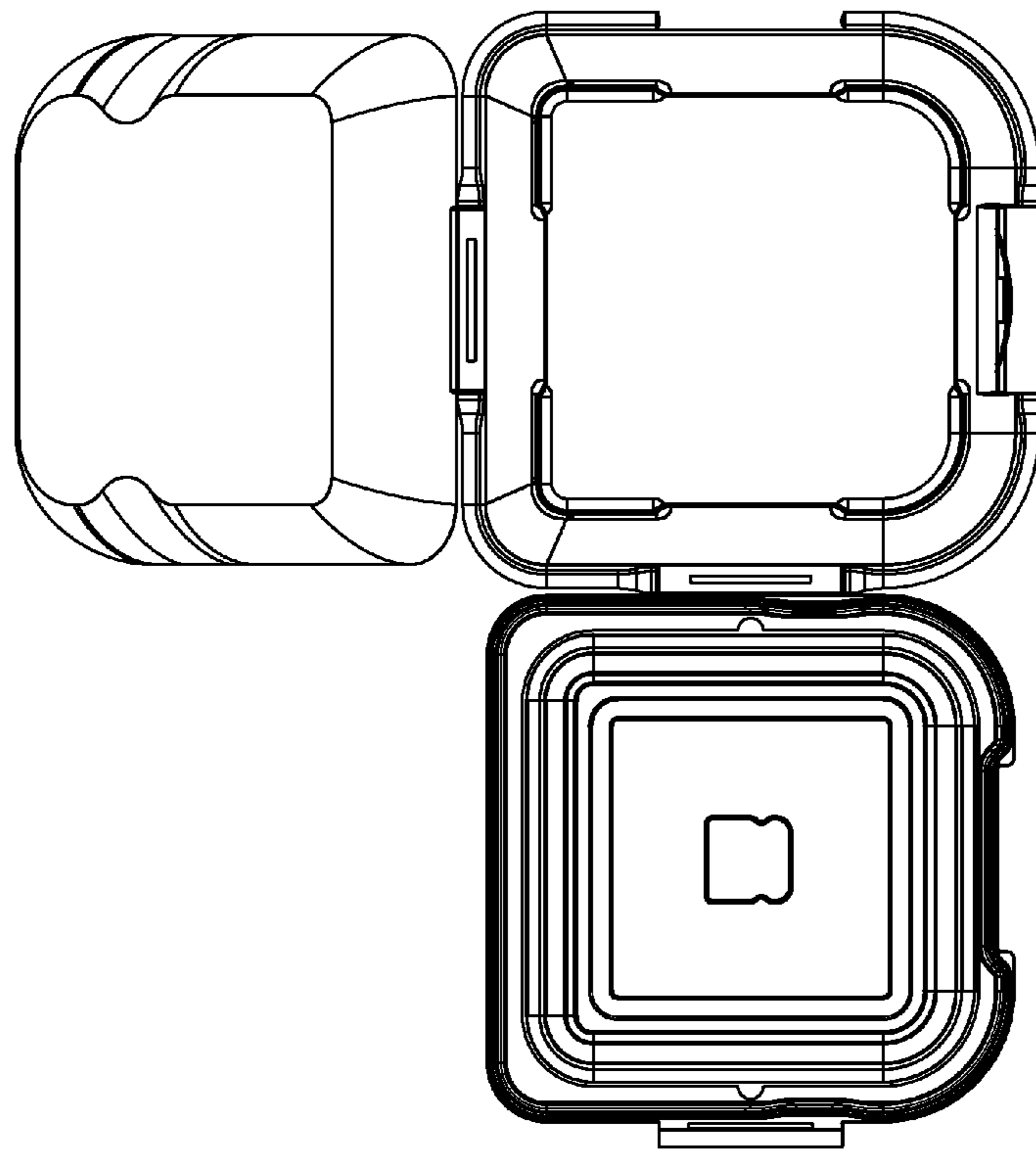


FIG. 9

FIG. 10



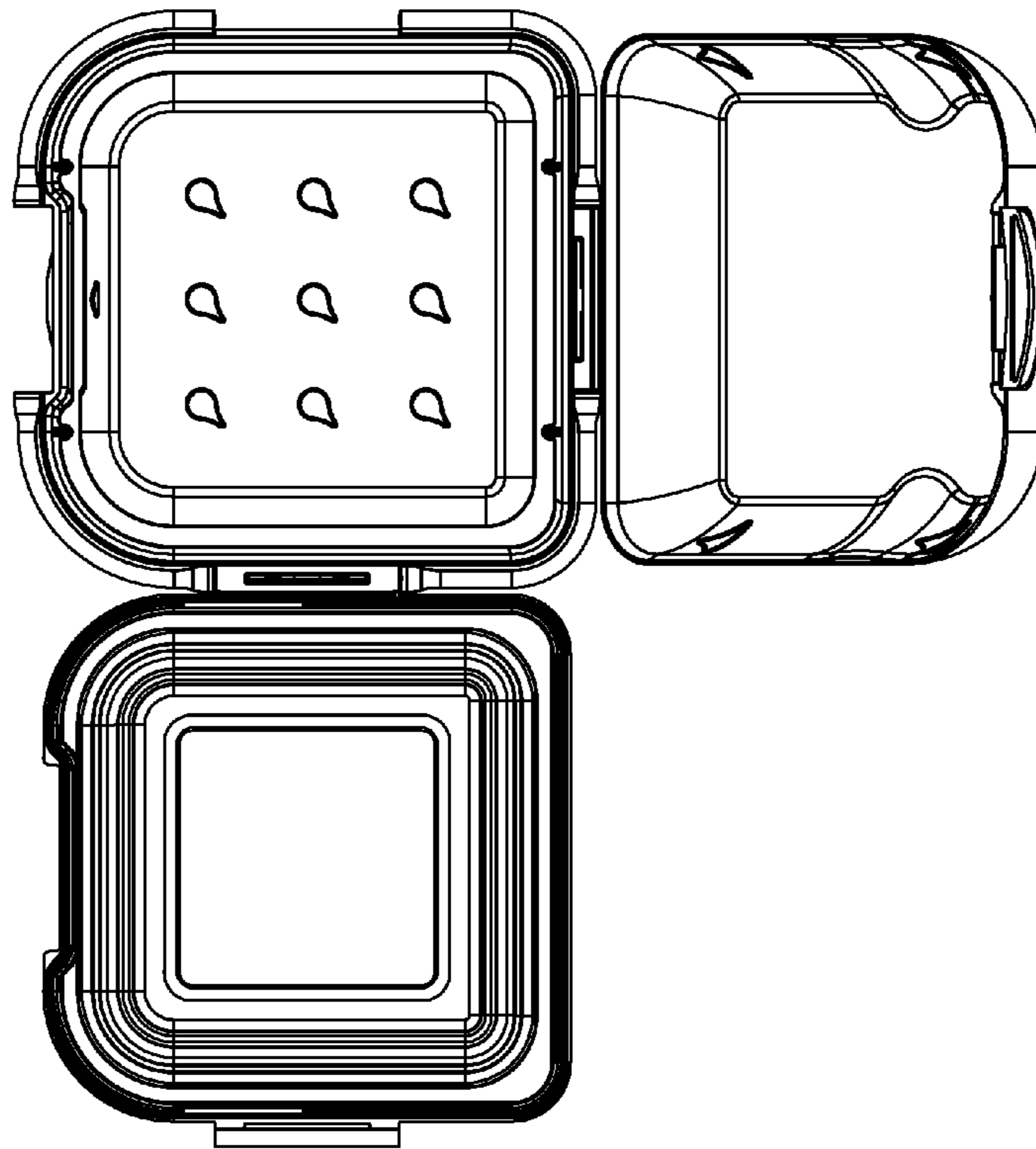


FIG. 11

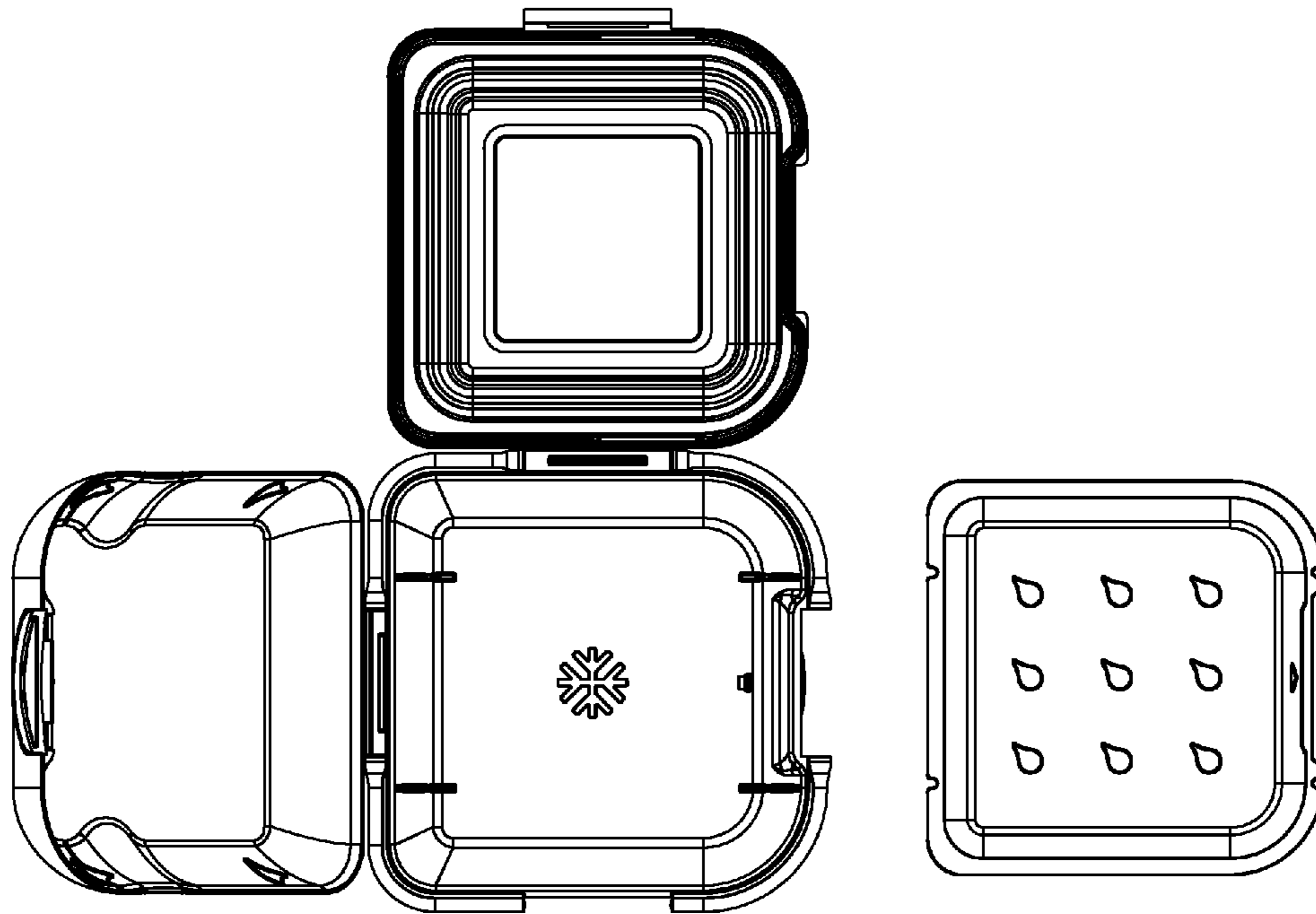


FIG. 12

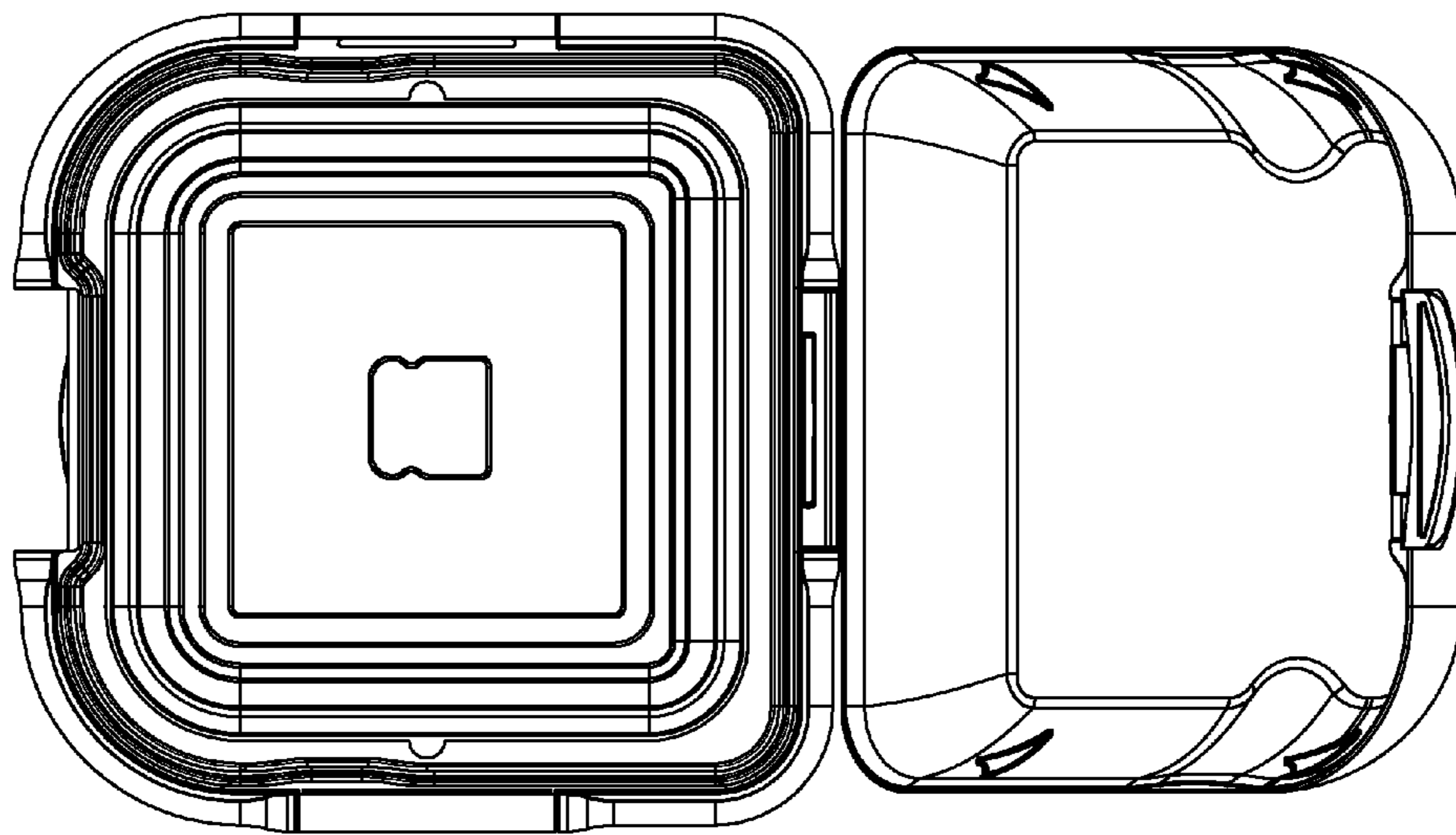


FIG. 13



FIG. 14