



US00D668553S

(12) **United States Design Patent**  
**Starck**

(10) **Patent No.:** **US D668,553 S**  
(45) **Date of Patent:** **\*\* Oct. 9, 2012**

(54) **LIQUID SPRAY DEVICE**

(75) Inventor: **Philippe Starck**, Paris (FR)

(73) Assignee: **AeroDesigns, Inc.**, Cambridge, MA (US)

(\*\*) Term: **14 Years**

(21) Appl. No.: **29/412,067**

(22) Filed: **Jan. 30, 2012**

(51) **LOC (9) Cl.** ..... **09-01**

(52) **U.S. Cl.** ..... **D9/690**; D9/691

(58) **Field of Classification Search** ..... D9/682-694,  
D9/715, 719, 500-505, 516-575, 434-454;  
D28/4, 5, 76-91, 91.1; 222/211, 212, 213,  
222/215, 321.7, 321.9, 383.1, 372, 373, 378,  
222/379, 384-386, 398, 400.7, 400.8, 401,  
222/402.1-402.25, 175, 182, 192, 153.01,  
222/153.04, 153.09, 153.1, 153.11-153.14;  
215/379-385; 220/669-675

See application file for complete search history.

(56) **References Cited**

**U.S. PATENT DOCUMENTS**

2,333,451 A \* 11/1943 Sussman et al. .... 401/145  
D145,506 S \* 9/1946 Buckingham ..... D28/88  
D191,487 S \* 10/1961 Sagarin et al. .... D9/689  
3,432,077 A \* 3/1969 Voll ..... 222/78  
3,471,065 A \* 10/1969 Malone ..... 222/321.1  
D253,337 S \* 11/1979 Bass et al. .... D9/690

D278,598 S \* 4/1985 Weber ..... D9/504  
D310,022 S \* 8/1990 Anderson ..... D9/688  
D376,910 S \* 12/1996 Tuchman ..... D4/114  
D422,901 S \* 4/2000 Young et al. .... D9/689  
D596,034 S \* 7/2009 Rauschert ..... D9/521  
D604,544 S \* 11/2009 Daams ..... D6/542  
D658,073 S \* 4/2012 Lee ..... D9/691  
2007/0075102 A1 \* 4/2007 Moore ..... 222/519  
2012/0000936 A1 \* 1/2012 Krishnamoorthy ..... 222/173

**FOREIGN PATENT DOCUMENTS**

EM 000182464-0001 \* 8/2004  
KR 300417249.0000 \* 6/2006  
WO 007363-001 \* 10/1986  
WO 013135-002 \* 5/1989

\* cited by examiner

*Primary Examiner* — Catherine Tuttle

(74) *Attorney, Agent, or Firm* — Fish & Richardson P.C.

(57) **CLAIM**

The ornamental design for a liquid spray device, substantially as shown and described.

**DESCRIPTION**

FIG. 1 is a perspective view of the liquid spray device showing my new design;

FIG. 2 is a front view thereof;

FIG. 3 is a rear view thereof;

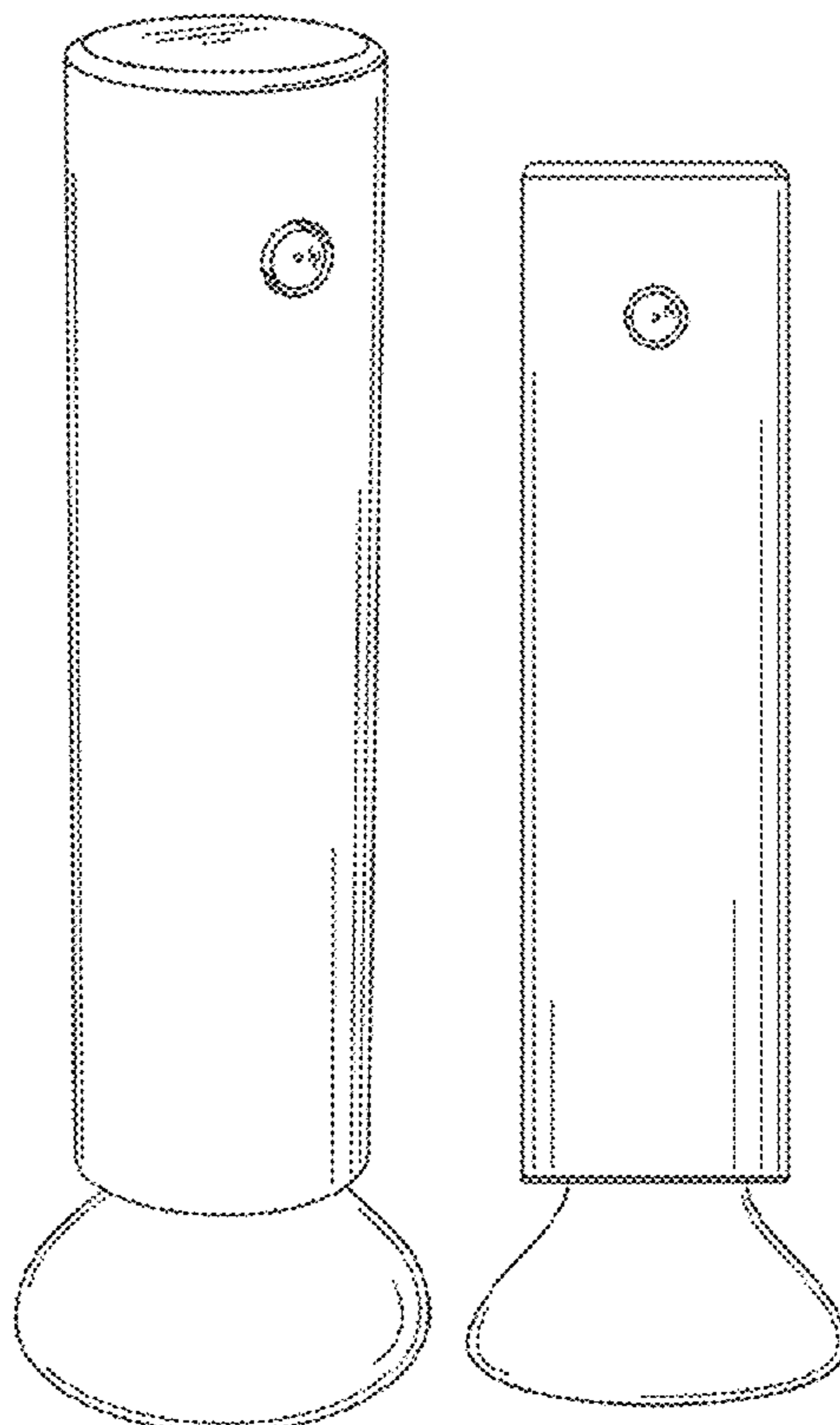
FIG. 4 is a right side view thereof;

FIG. 5 is a left side view thereof;

FIG. 6 is a top view thereof; and,

FIG. 7 is a bottom view thereof.

**1 Claim, 4 Drawing Sheets**



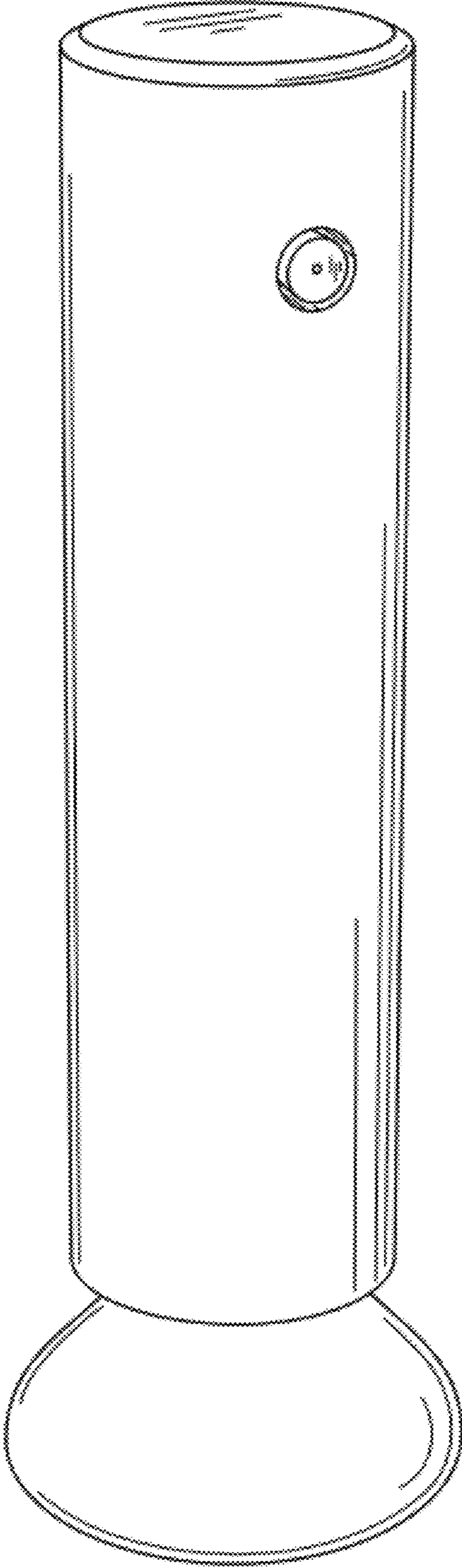


FIG. 1

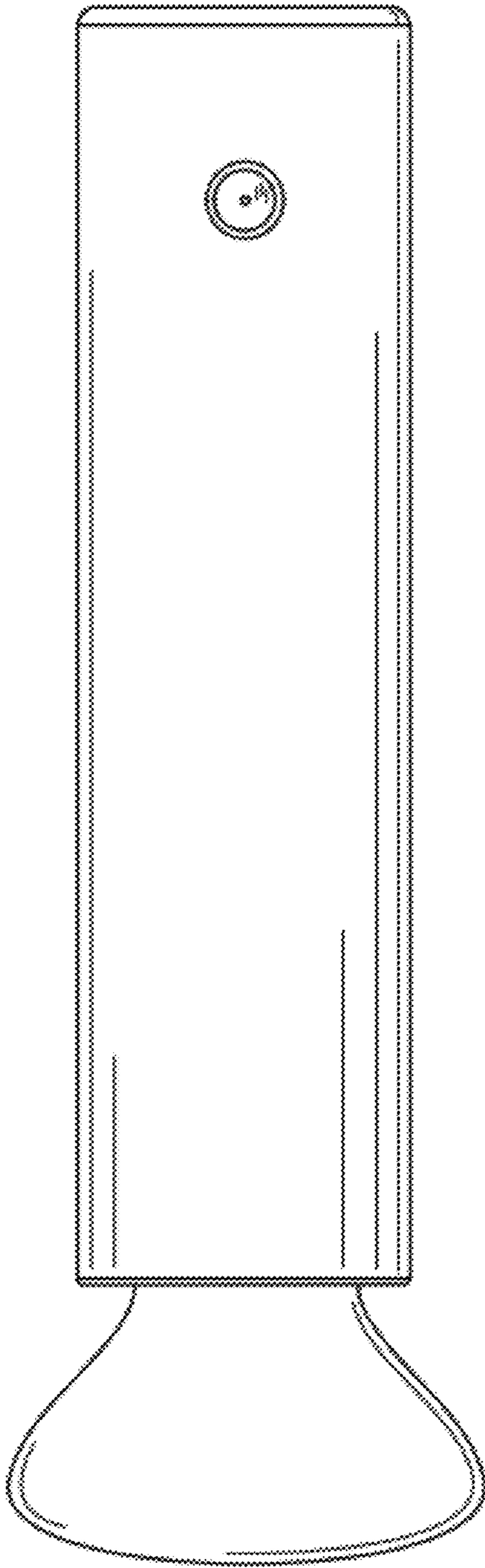


FIG. 2

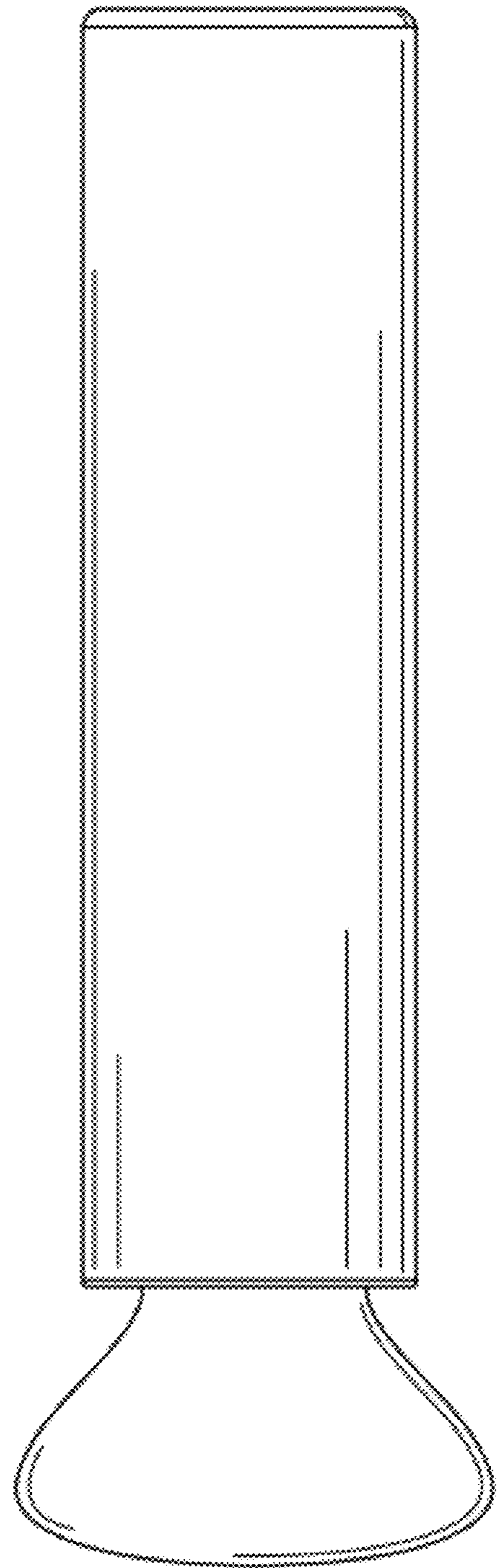


FIG. 3



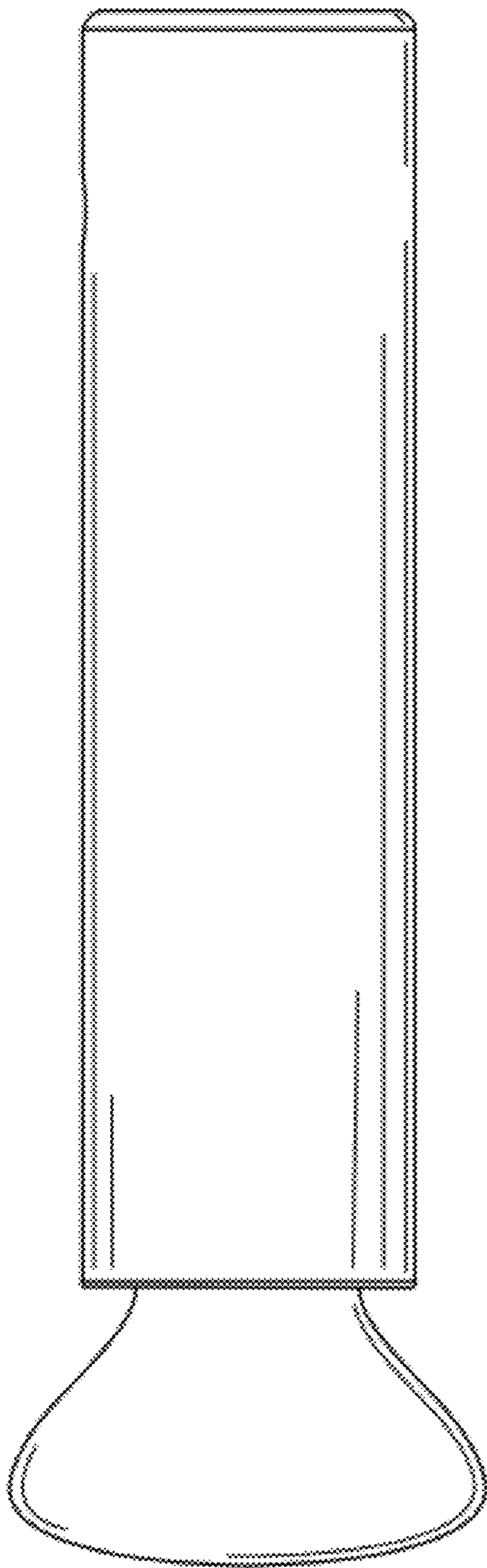


FIG. 4

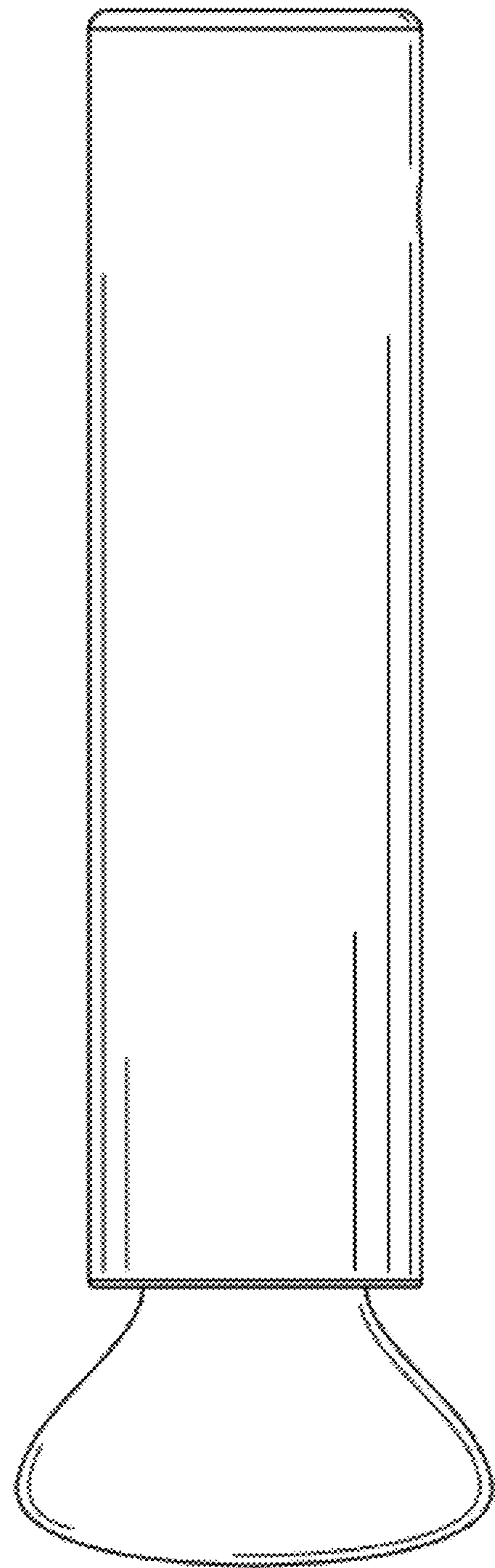


FIG. 5

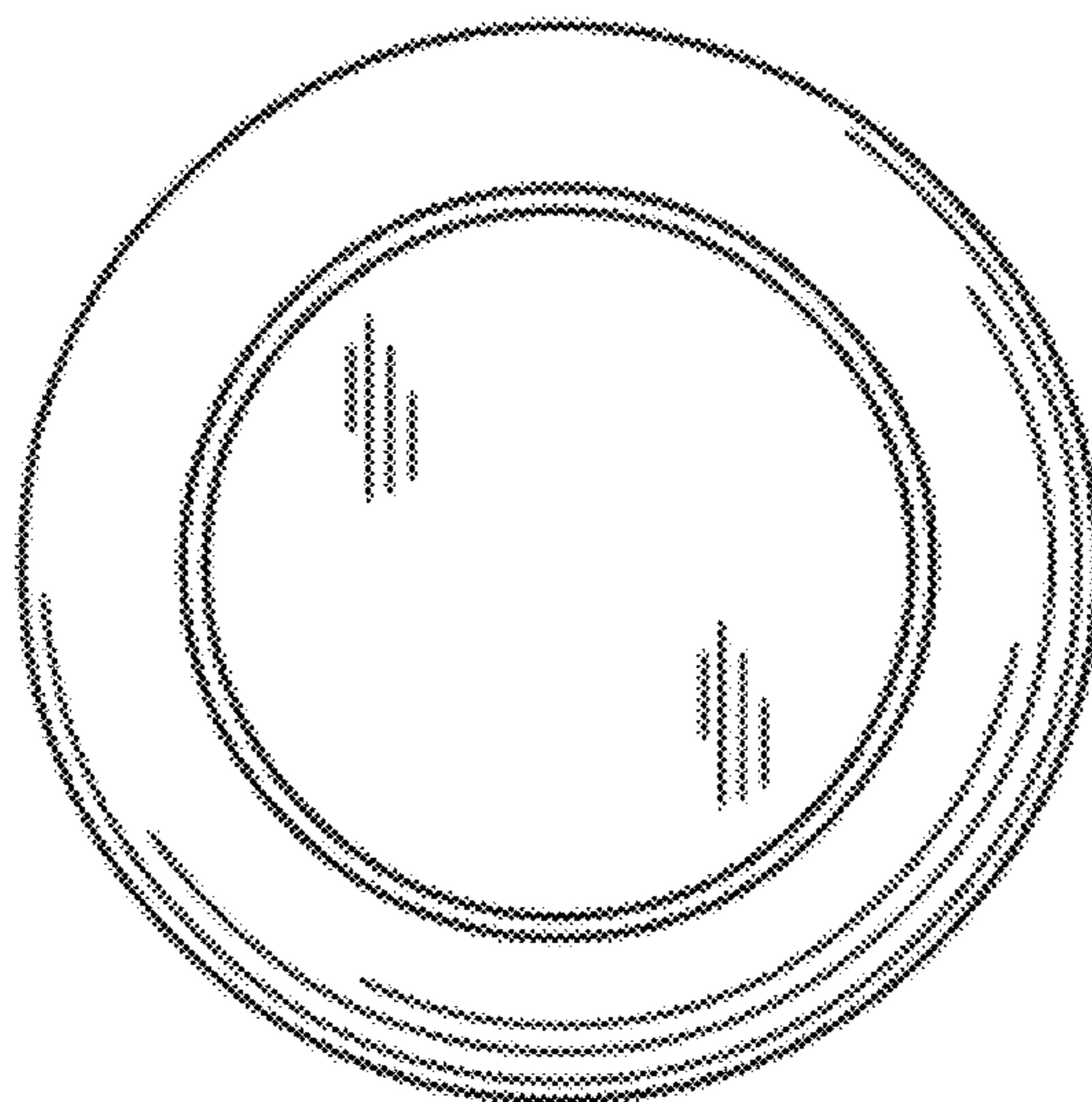


FIG. 6

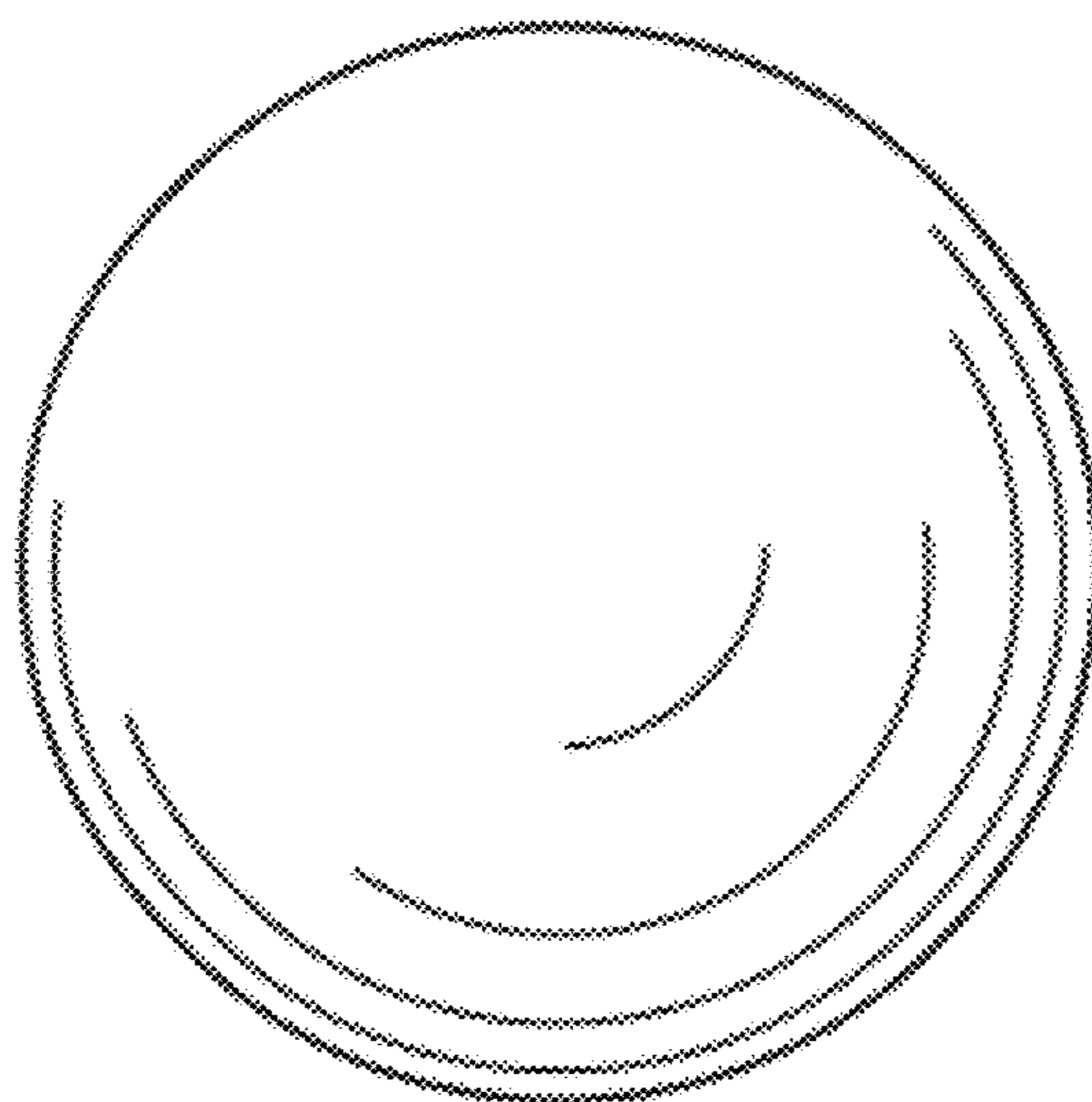


FIG. 7