



US00D668548S

(12) **United States Design Patent**
Habtegabriel

(10) **Patent No.:** **US D668,548 S**

(45) **Date of Patent:** **** Oct. 9, 2012**

(54) **FRAGRANCE BOTTLE**

D461,118 S * 8/2002 Tseng D9/632
D604,162 S * 11/2009 Navarro et al. D9/632
D645,358 S * 9/2011 de Monclin D9/611

(75) **Inventor:** **Gabriel Abraham Habtegabriel,**
Seattle, WA (US)

* cited by examiner

(73) **Assignee:** **La Comedie des**
Parfums—Paris—LLC, Seattle, WA
(US)

Primary Examiner — Sandra Morris

(74) *Attorney, Agent, or Firm* — Victor N. King; King IP
PLLC

(**) **Term:** **14 Years**

(57) **CLAIM**

The ornamental design for a fragrance bottle, substantially as
shown and described.

(21) **Appl. No.:** **29/400,817**

(22) **Filed:** **Sep. 1, 2011**

DESCRIPTION

(51) **LOC (9) Cl.** **21-01**

(52) **U.S. Cl.** **D9/611; D9/632**

(58) **Field of Classification Search** D3/270–271.1;
D9/600, 601, 607, 611, 631–632, 516, 544–546,
D9/560, 572–575; D7/514–517, 519, 619.2,
D7/623, 628; 206/457, 527; 220/890; 215/400
See application file for complete search history.

FIG. 1 is a front perspective view of a fragrance bottle, show-
ing my new design;
FIG. 2 is a front view thereof;
FIG. 3 is a rear view thereof;
FIG. 4 is a first side view thereof;
FIG. 5 is a second side view thereof;
FIG. 6 is a top plan view thereof;
FIG. 7 is a bottom plan view thereof; and,
FIG. 8 is another front perspective view thereof, showing the
cap of the bottle being removable from the fragrance bottle.
The broken line showing is for illustrative purposes only, and
forms no part of the claimed design.

(56) **References Cited**

U.S. PATENT DOCUMENTS

D318,796 S * 8/1991 Cointreau D9/632
D345,300 S * 3/1994 Koytuk D9/611
D351,339 S * 10/1994 Koytuk D9/611
D402,548 S * 12/1998 Tavenas D9/611

1 Claim, 4 Drawing Sheets

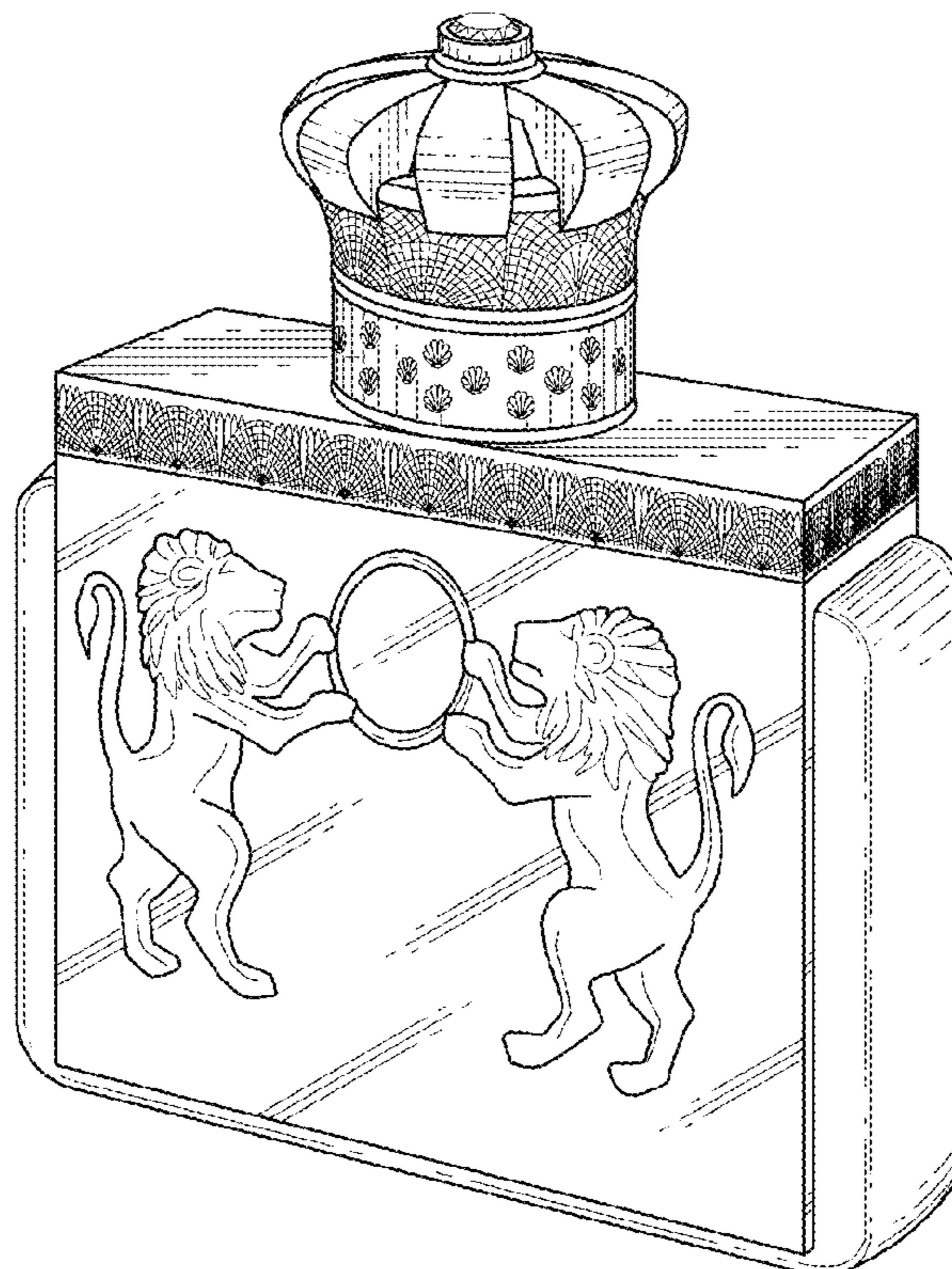


FIG. 1

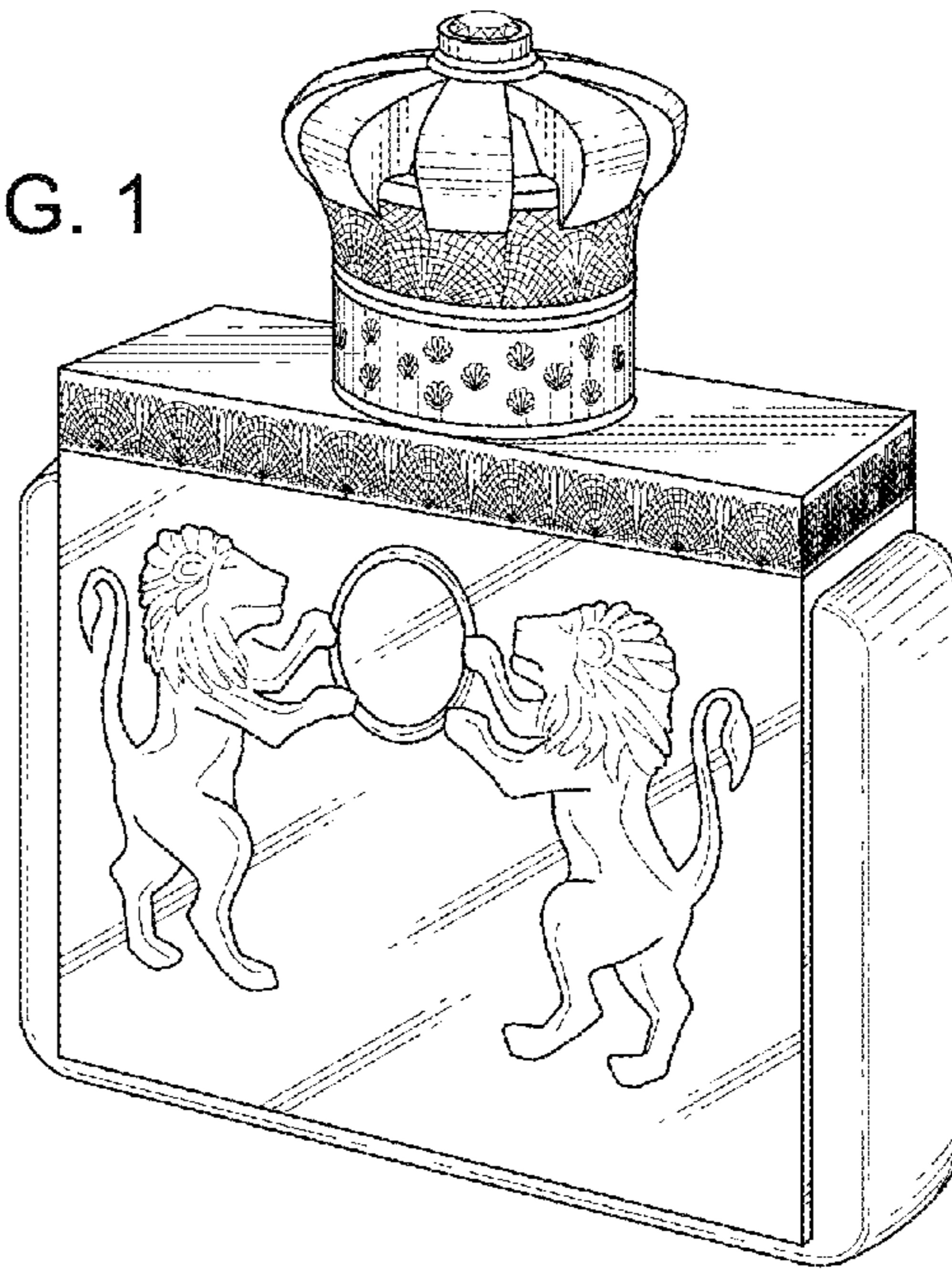
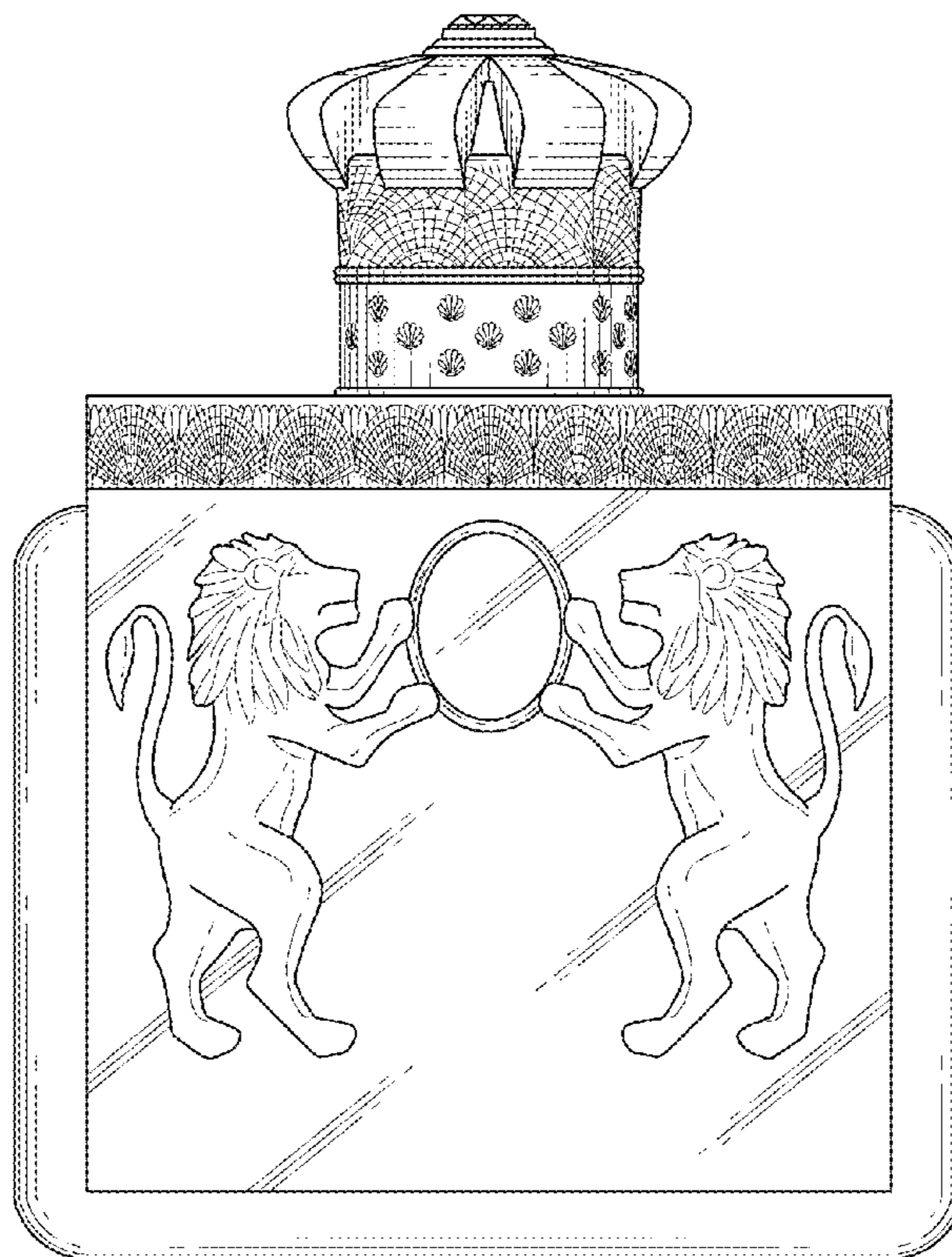


FIG. 2



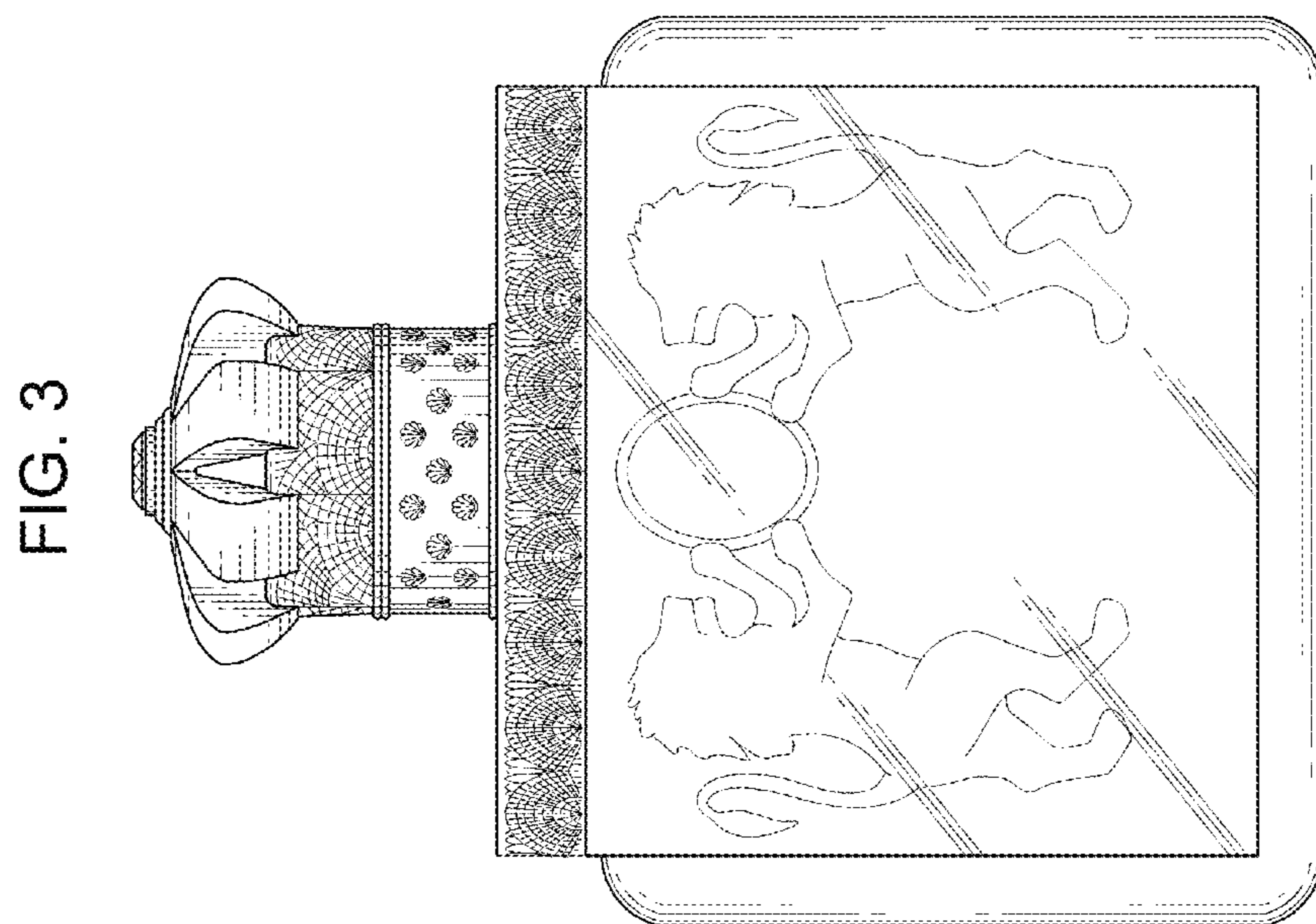
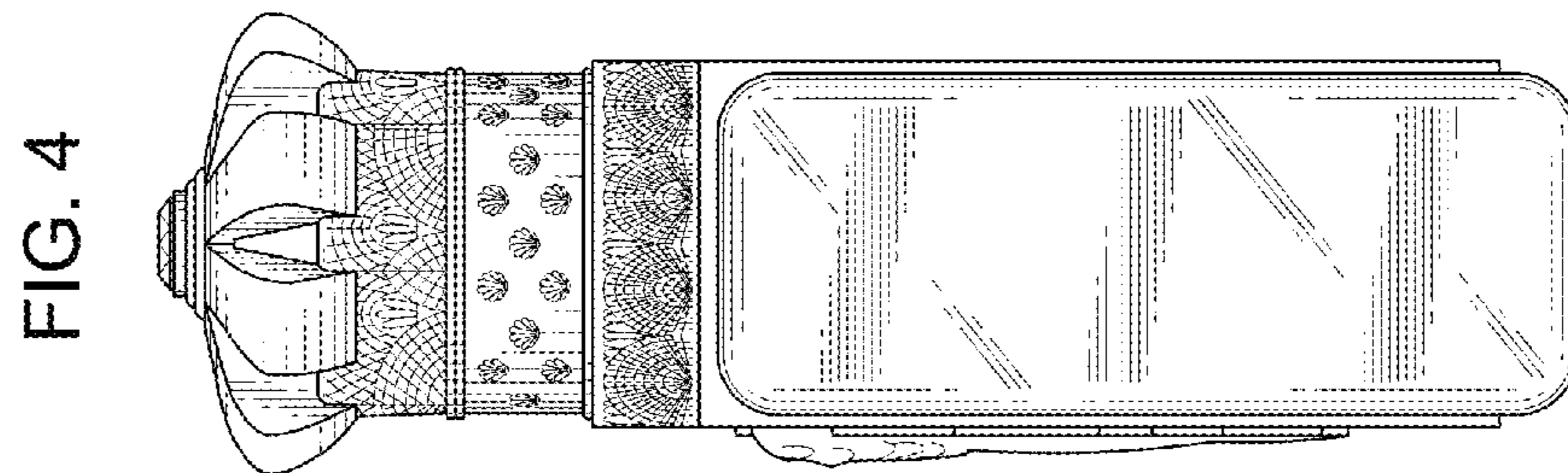
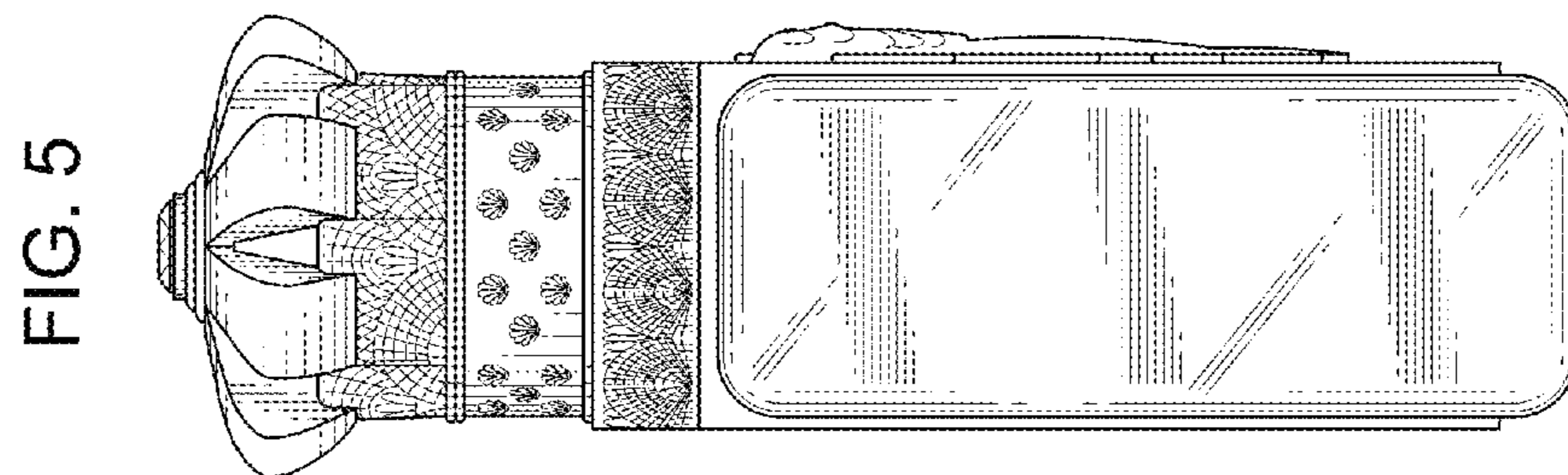


FIG. 6

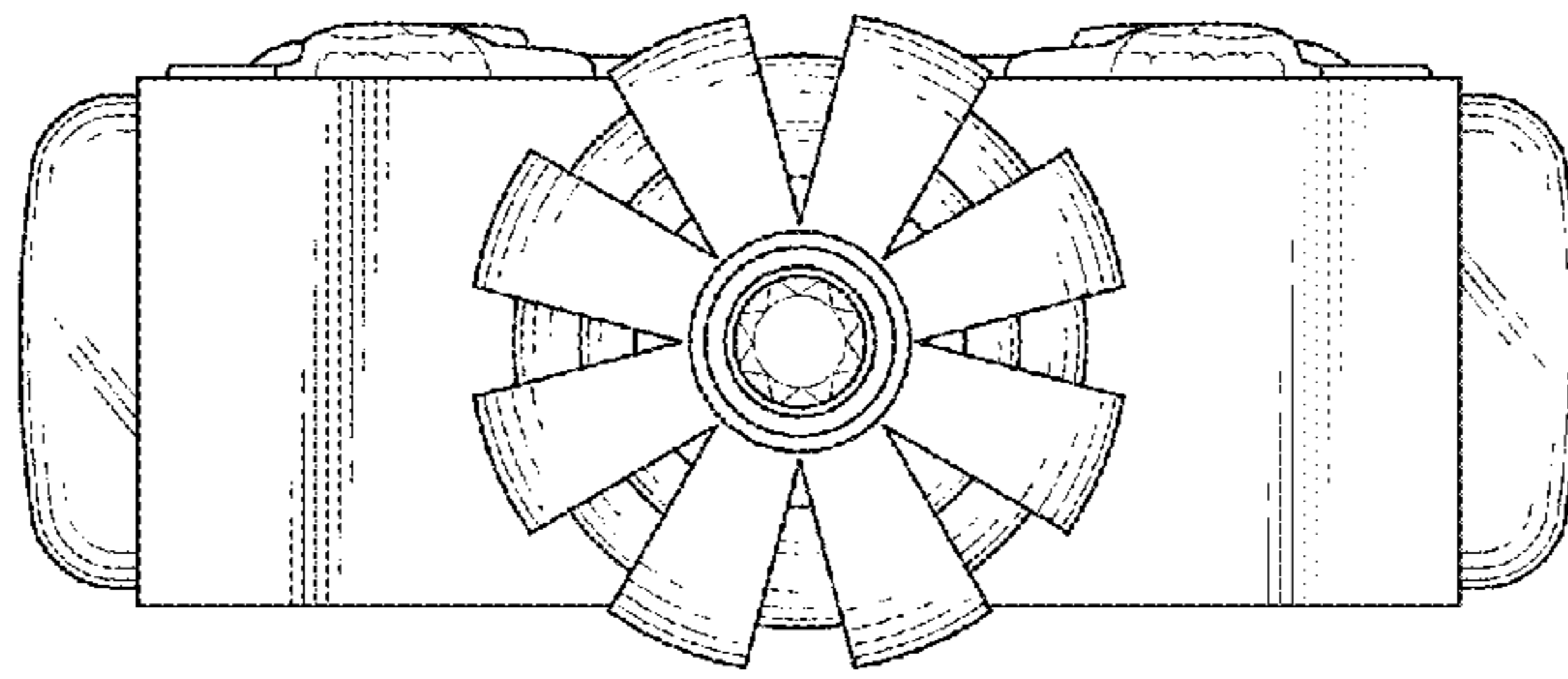


FIG. 7

