

US00D668546S

(12) **United States Design Patent**
Maas et al.

(10) **Patent No.:** **US D668,546 S**
(45) **Date of Patent:** **** Oct. 9, 2012**

(54) **BOTTLE**

(75) Inventors: **David Maas**, Wheaton, IL (US); **Robert Kleckauskas**, St. Charles, IL (US); **John P. Coursey**, Chicago, IL (US); **Bruce Ronner**, Glencoe, IL (US); **Rita Sifuentes**, Melrose Park, IL (US); **Valorie Boldrey Langille**, Glen Ellyn, IL (US); **Charles A. Brewer**, St. Charles, IL (US); **Jeffrey M. Fish**, Perrysburg, OH (US)

(73) Assignee: **Arrow Plastic Manufacturing Co.**, Elk Grove, IL (US)

(**) Term: **14 Years**

(21) Appl. No.: **29/393,271**

(22) Filed: **Jun. 1, 2011**

(51) **LOC (9) Cl.** **09-01**

(52) **U.S. Cl.** **D9/528; D9/533; D9/565**

(58) **Field of Classification Search** D9/434,
D9/435, 452-454, 516, 523, 524, 527, 528,
D9/530, 531, 533, 541, 543, 559, 560, 565,
D9/567, 571, 572, 575; 215/381-385; 220/660,
220/669, 679, 752

See application file for complete search history.

(56) **References Cited**

U.S. PATENT DOCUMENTS

D282,957 S * 3/1986 Carlson D23/212
D296,668 S * 7/1988 Stavish D9/520

D325,871 S * 5/1992 Hestehave et al. D9/520
D337,234 S * 7/1993 McGinnis D7/306
D341,514 S * 11/1993 McGinnis D7/313
D361,720 S * 8/1995 Rokus et al. D9/520
D370,379 S * 6/1996 Klein et al. D7/313
D452,956 S * 1/2002 Hari et al. D9/527
D479,130 S * 9/2003 Kleckauskas et al. D9/531
D544,359 S * 6/2007 Shehadey et al. D9/528
D558,577 S * 1/2008 Pettigrew et al. D9/523
D574,240 S * 8/2008 Szczesniak D9/453
D587,955 S * 3/2009 Stamper D7/306
2005/0236414 A1 * 10/2005 Darr et al. 220/608
2011/0290755 A1 * 12/2011 Taber et al. 215/329

* cited by examiner

Primary Examiner — Keli L Hill

(74) *Attorney, Agent, or Firm* — Wood, Phillips, Katz, Clark & Mortimer

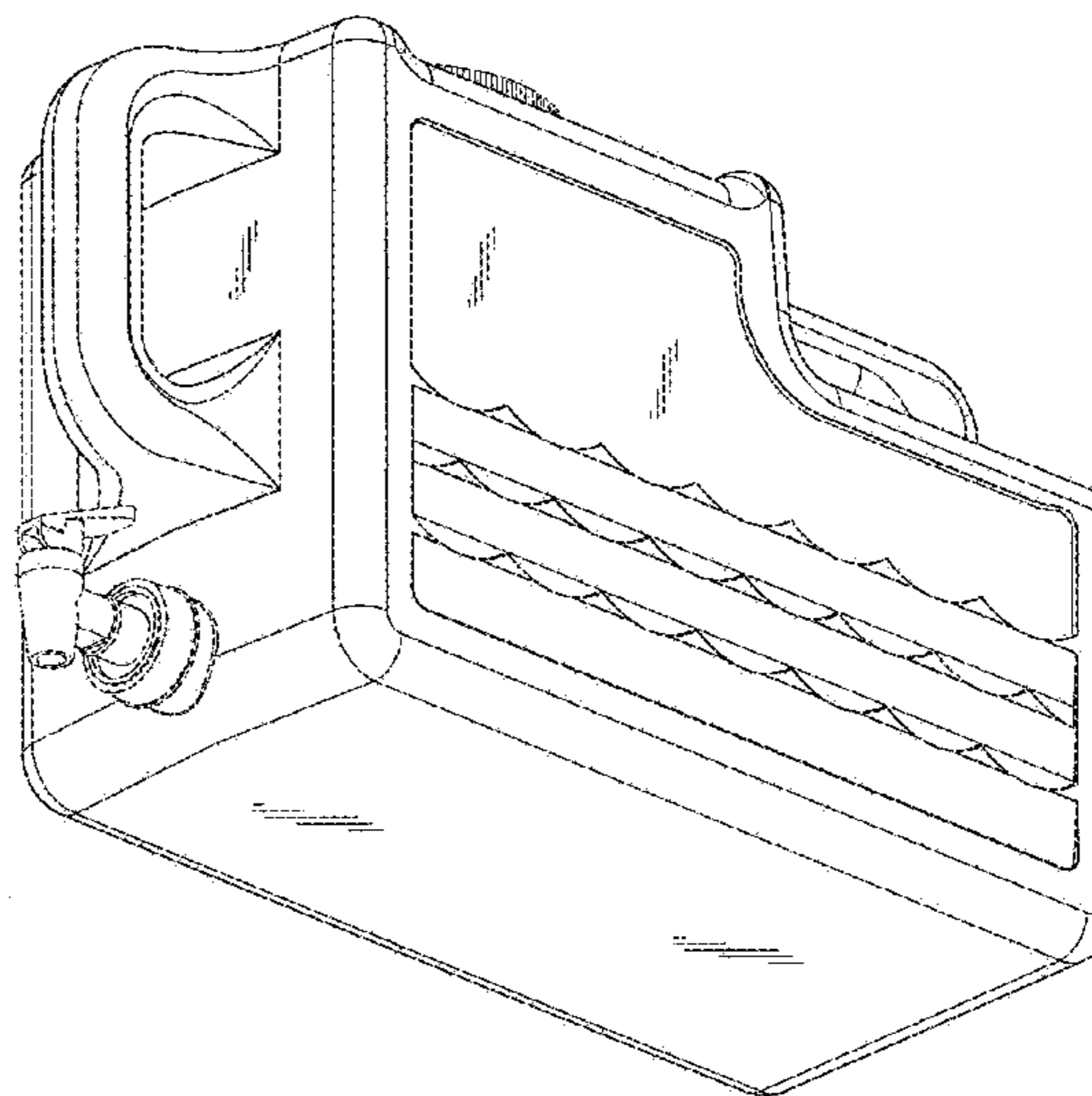
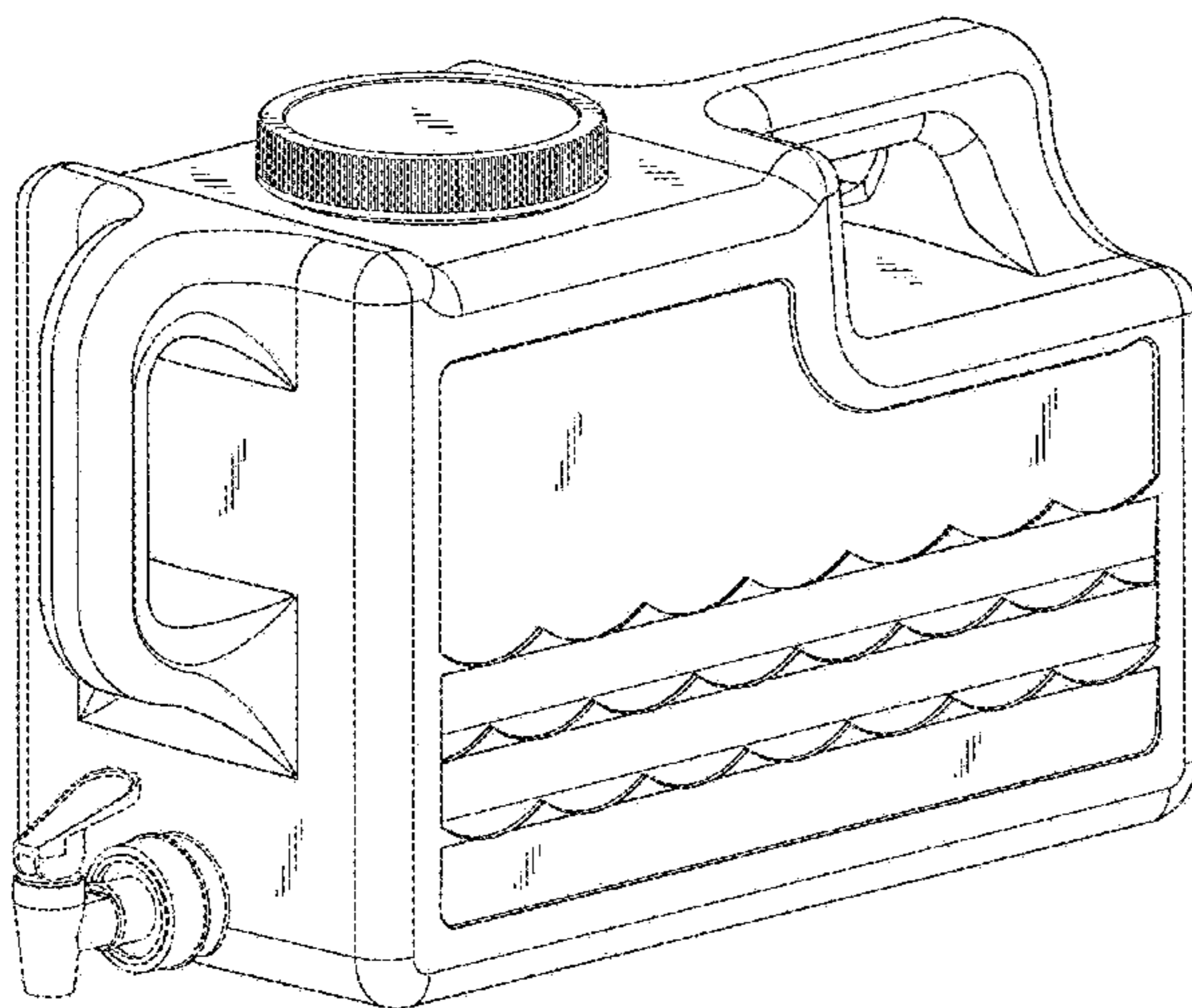
(57) **CLAIM**

The ornamental design for a bottle, substantially as shown and described.

DESCRIPTION

FIG. 1 is a front-elevational view of the present invention; FIG. 2 is a side-elevational view thereof, with the opposite, side-elevational view being a mirror image thereof; FIG. 3 is a top plan view of thereof; FIG. 4 is an upper perspective view thereof; and, FIG. 5 is a lower perspective view thereof.

1 Claim, 5 Drawing Sheets



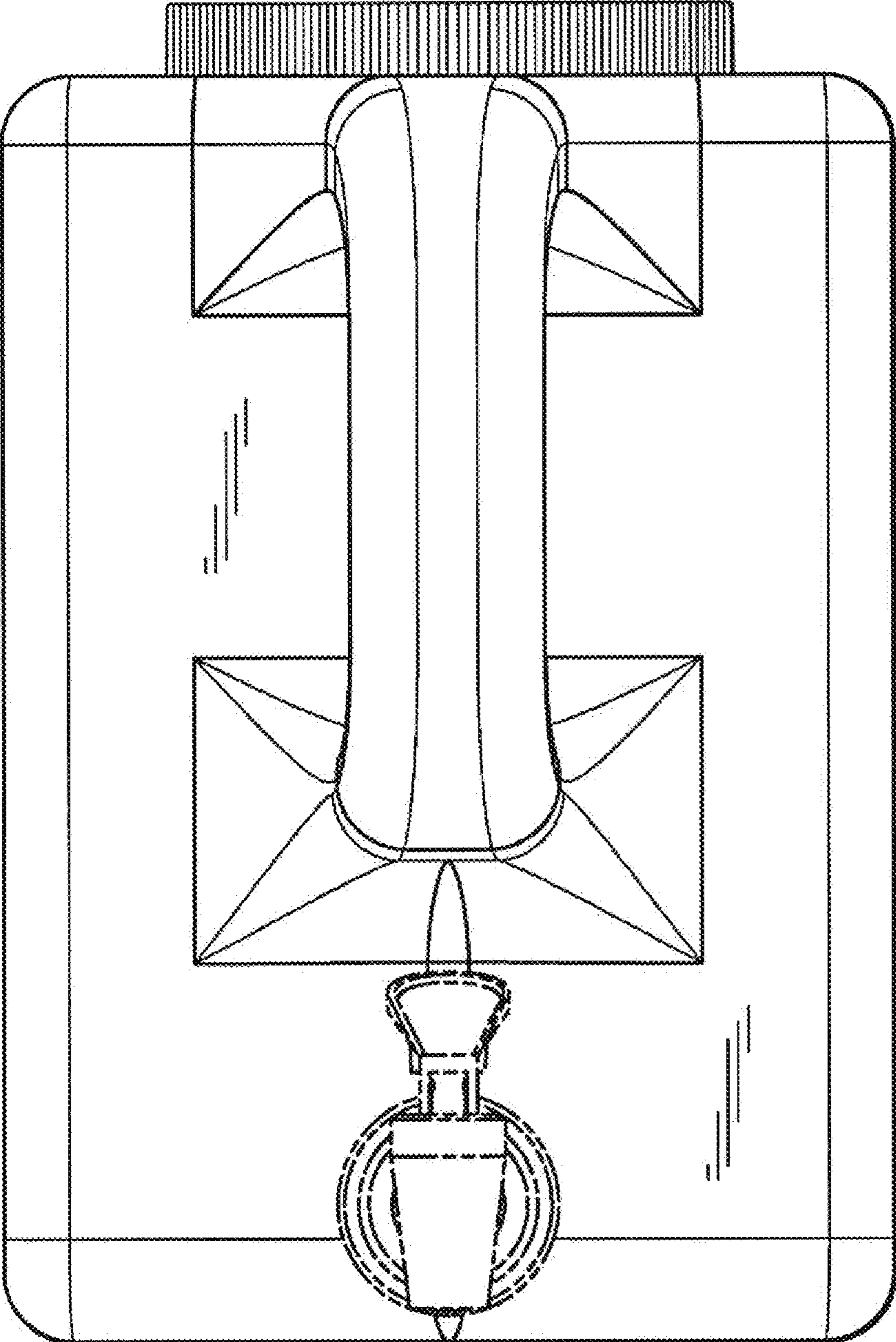


FIGURE 1

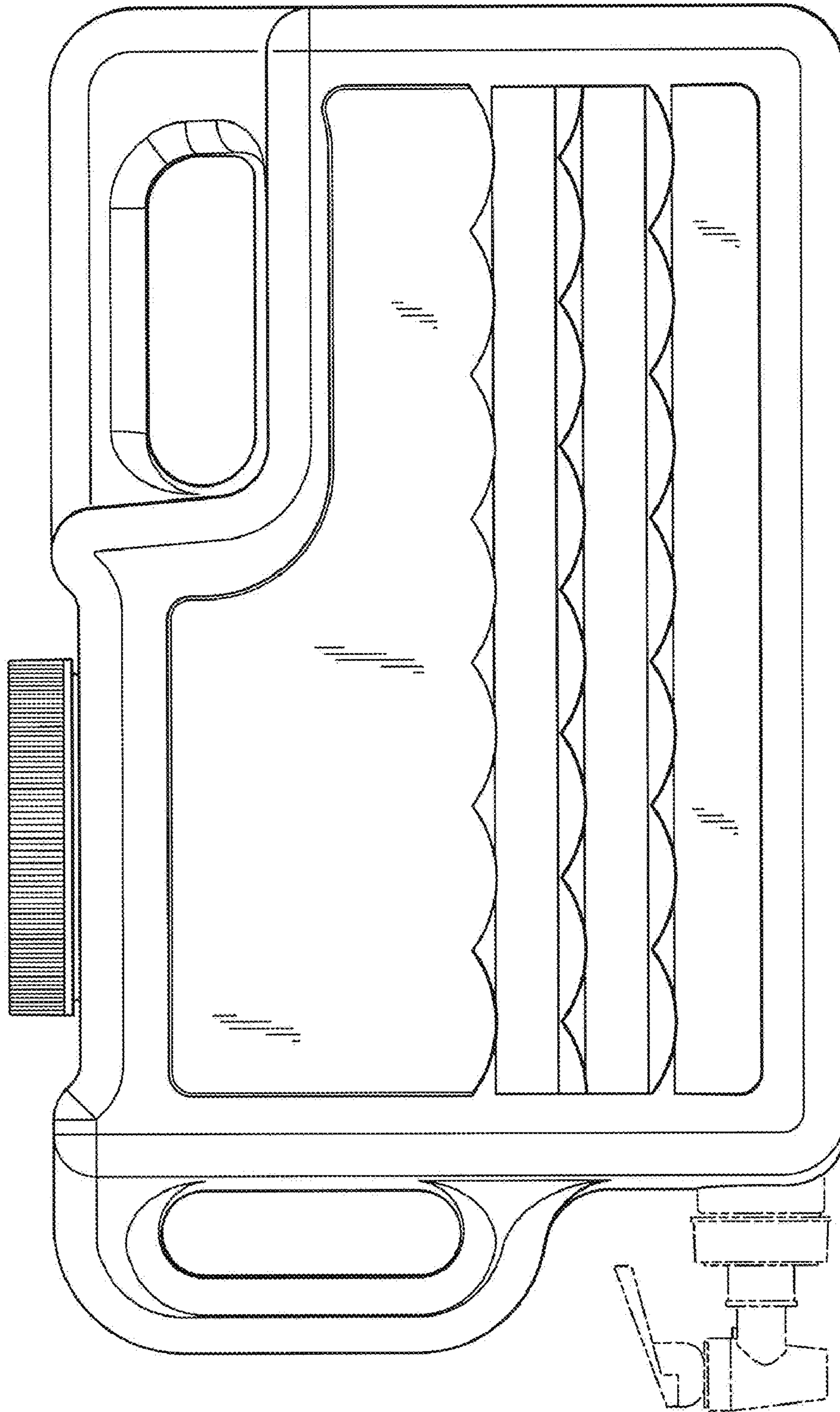


FIGURE 2

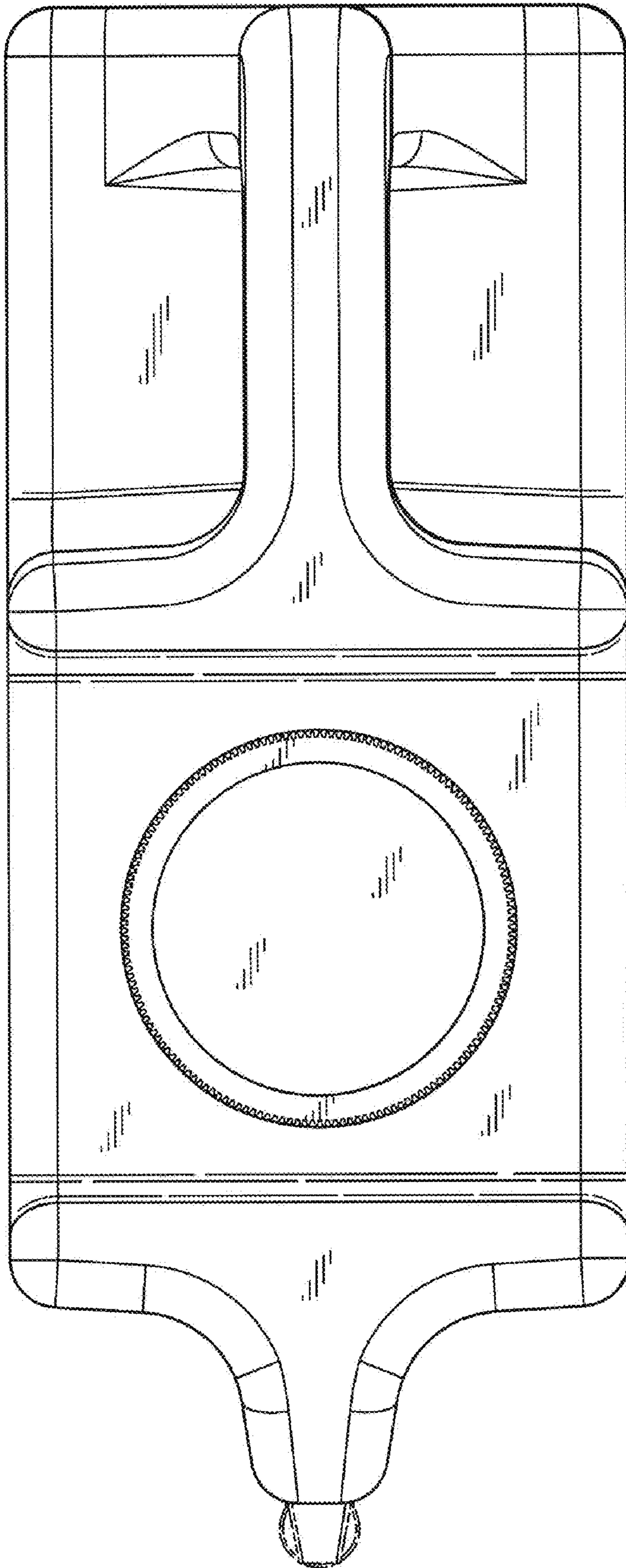


FIGURE 3

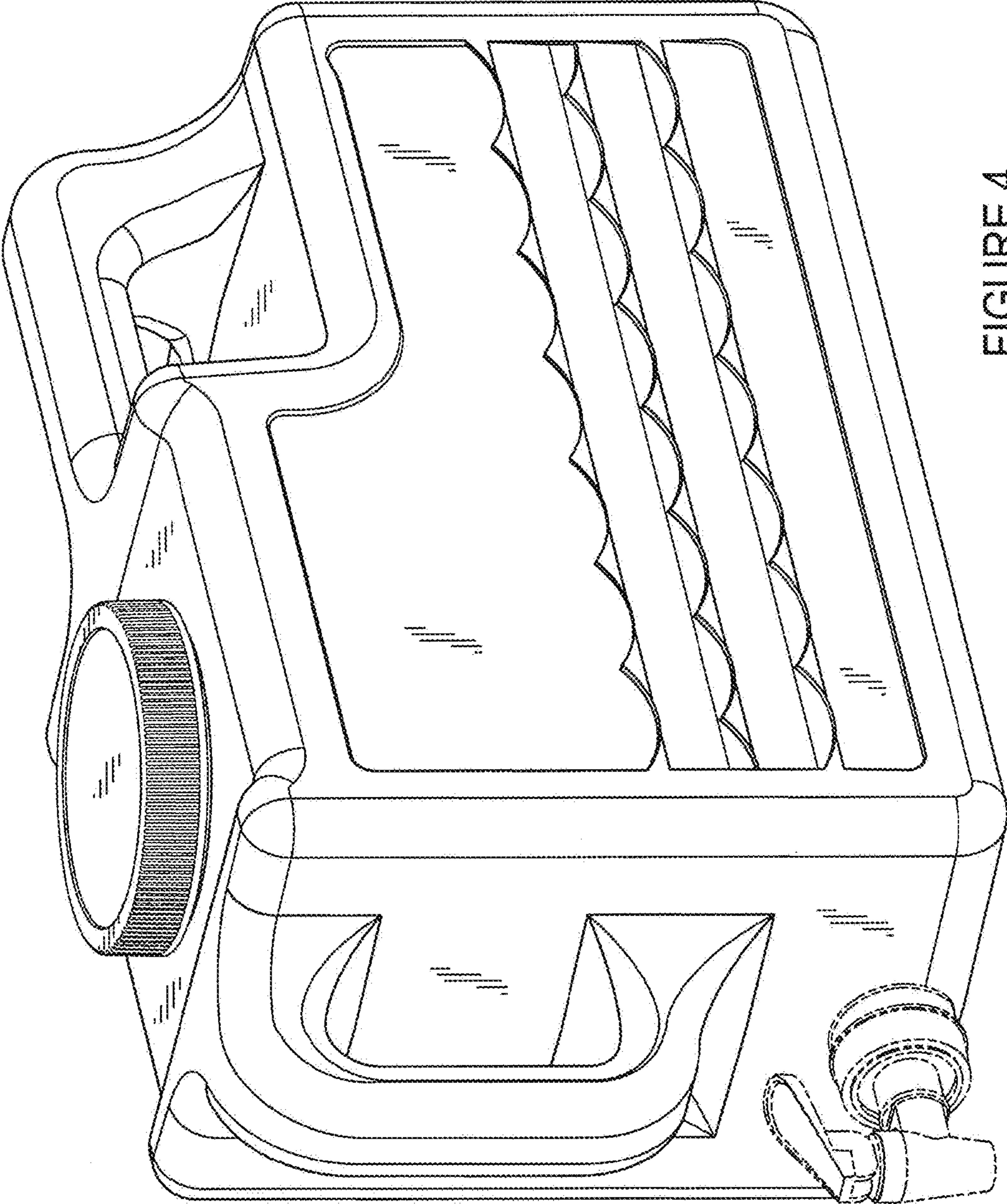


FIGURE 4

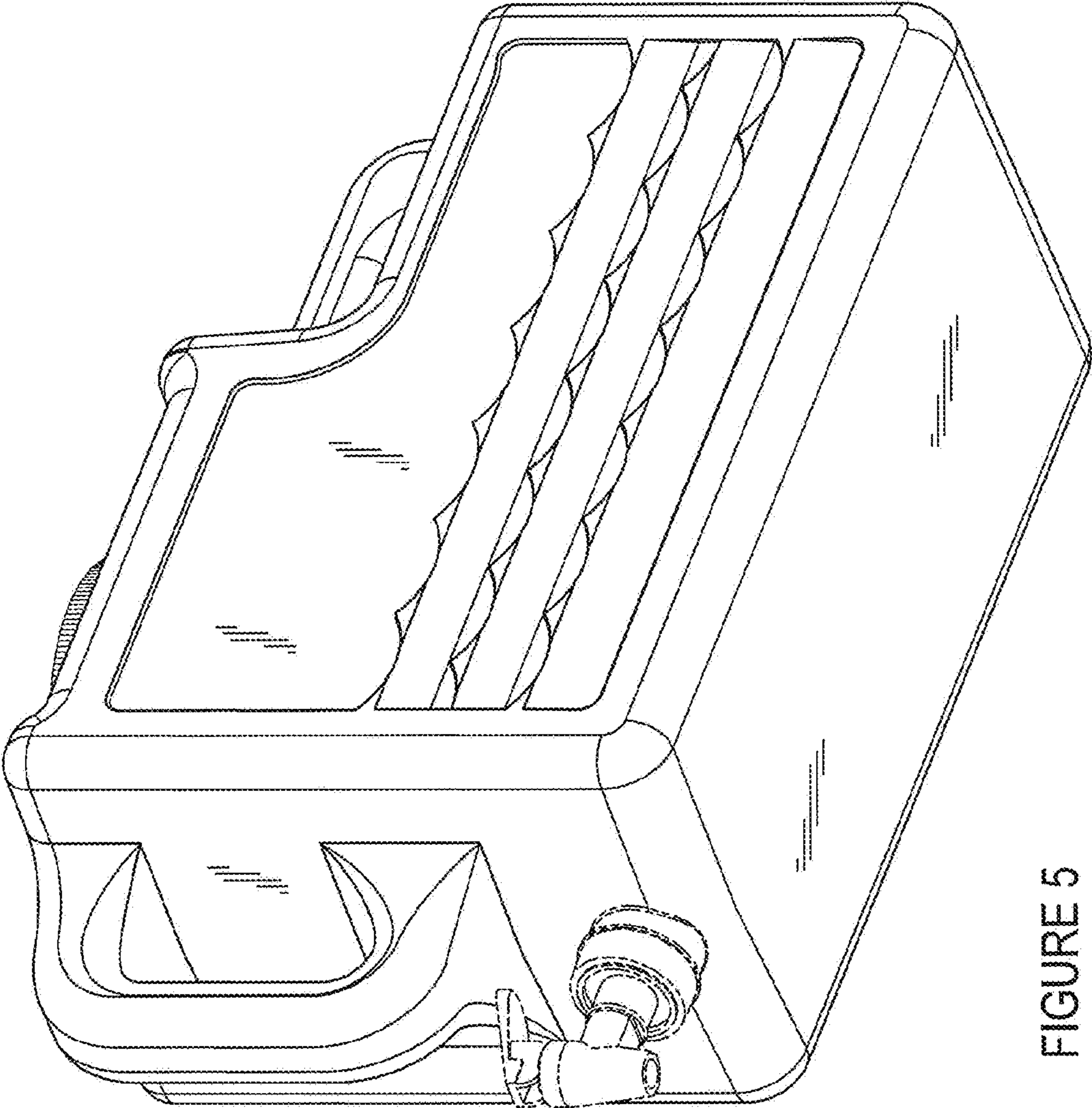


FIGURE 5