



US00D668545S

(12) **United States Design Patent**
Cox

(10) **Patent No.:** **US D668,545 S**

(45) **Date of Patent:** **** Oct. 9, 2012**

(54) **SINGLE-SIDED HANGING BEVERAGE HOLDER**

(76) Inventor: **Matthew Cox**, New York City, NY (US)

(**) Term: **14 Years**

(21) Appl. No.: **29/391,195**

(22) Filed: **May 4, 2011**

(51) **LOC (9) Cl.** **09-07**

(52) **U.S. Cl.** **D9/455**

(58) **Field of Classification Search** D9/760,
D9/761, 759, 756, 755, 753, 751, 750, 739,
D9/738, 737, 702, 456, 455, 443, 434, 415;
D20/19; D19/34.1; 248/146; 229/120; 220/4.23;
211/42; 206/814, 564, 558, 557, 529, 485,
206/446, 429, 427, 421, 419, 418, 259
See application file for complete search history.

(56) **References Cited**

U.S. PATENT DOCUMENTS

D114,889 S *	5/1939	Campbell	D9/753
D130,065 S *	10/1941	Di Rico et al.	D9/753
D182,112 S *	2/1958	Frankel	D9/753
D206,494 S *	12/1966	Watts	D9/415
D236,436 S *	8/1975	Fischer	D9/753
D268,251 S *	3/1983	Savage	D9/456

D286,507 S *	11/1986	Drago	D9/415
D369,102 S *	4/1996	Pare et al.	D9/415
D386,073 S *	11/1997	Hanson	D9/432
D430,488 S *	9/2000	Ito et al.	D9/415

* cited by examiner

Primary Examiner — Susan Bennett Hattan

(74) *Attorney, Agent, or Firm* — McAndrews, Held & Malloy, Ltd.

(57) **CLAIM**

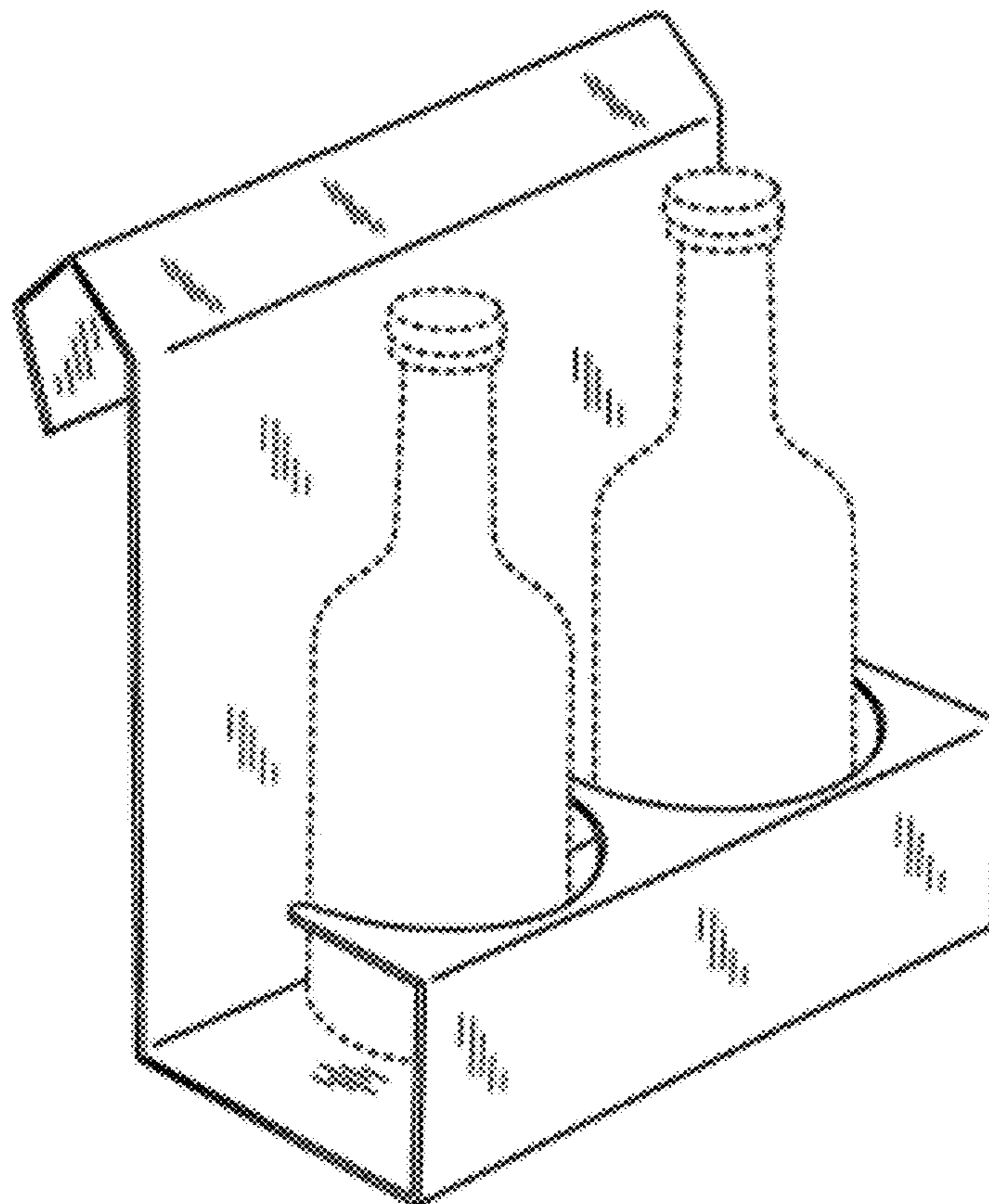
The ornamental design for a single-sided hanging beverage holder, as shown and described.

DESCRIPTION

FIG. 1 is a perspective view of my new design for a single-sided hanging beverage holder;
FIG. 2 is a right-side elevation view thereof;
FIG. 3 is a left-side elevation view thereof;
FIG. 4 is a front elevation view thereof;
FIG. 5 is a back elevation view thereof;
FIG. 6 is a top plan view thereof; and,
FIG. 7 is a bottom plan view thereof.

The broken lines in the drawings are included for the purpose of illustrating environmental subject matter and form no part of the claimed design.

1 Claim, 3 Drawing Sheets



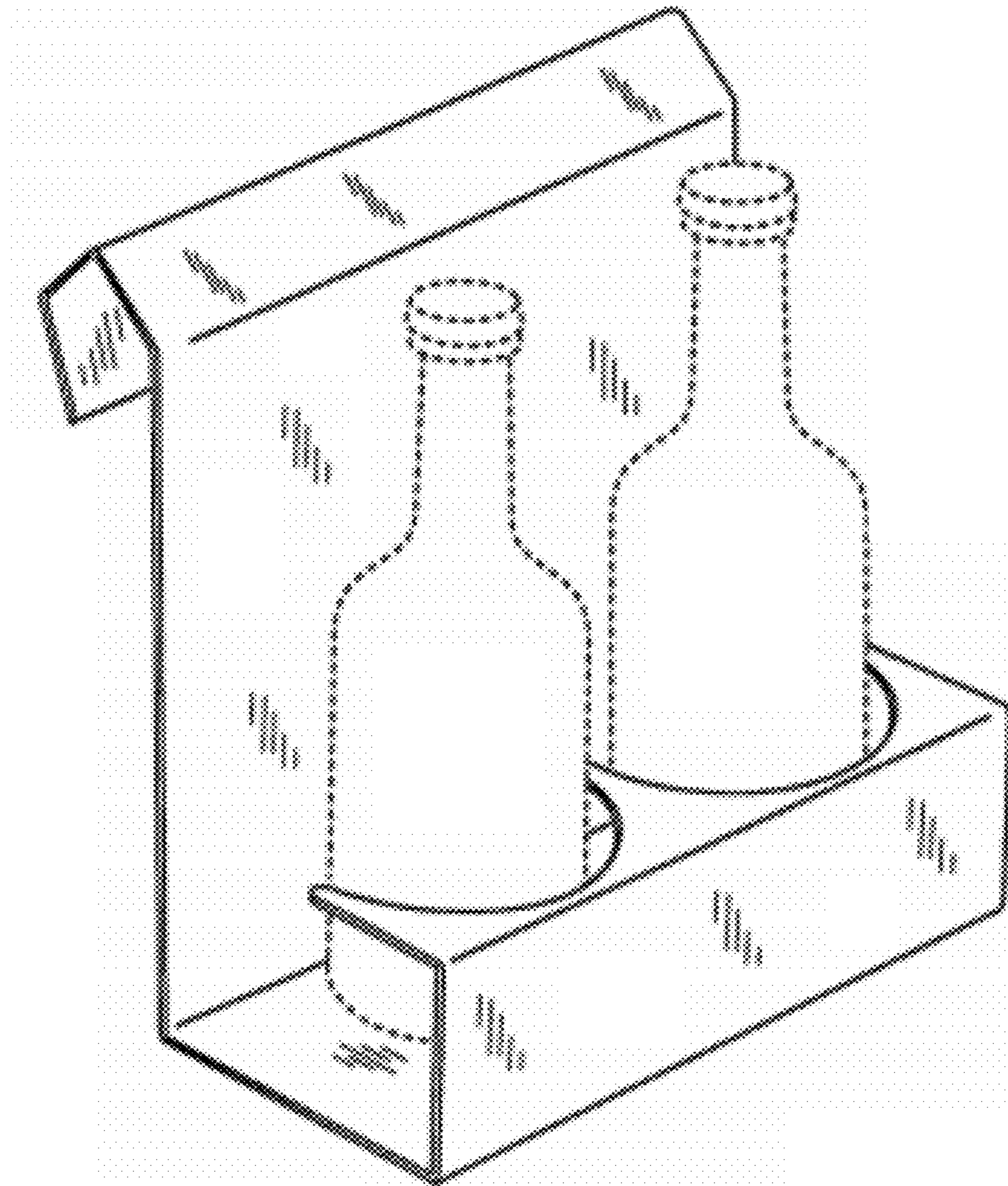


FIG. 1

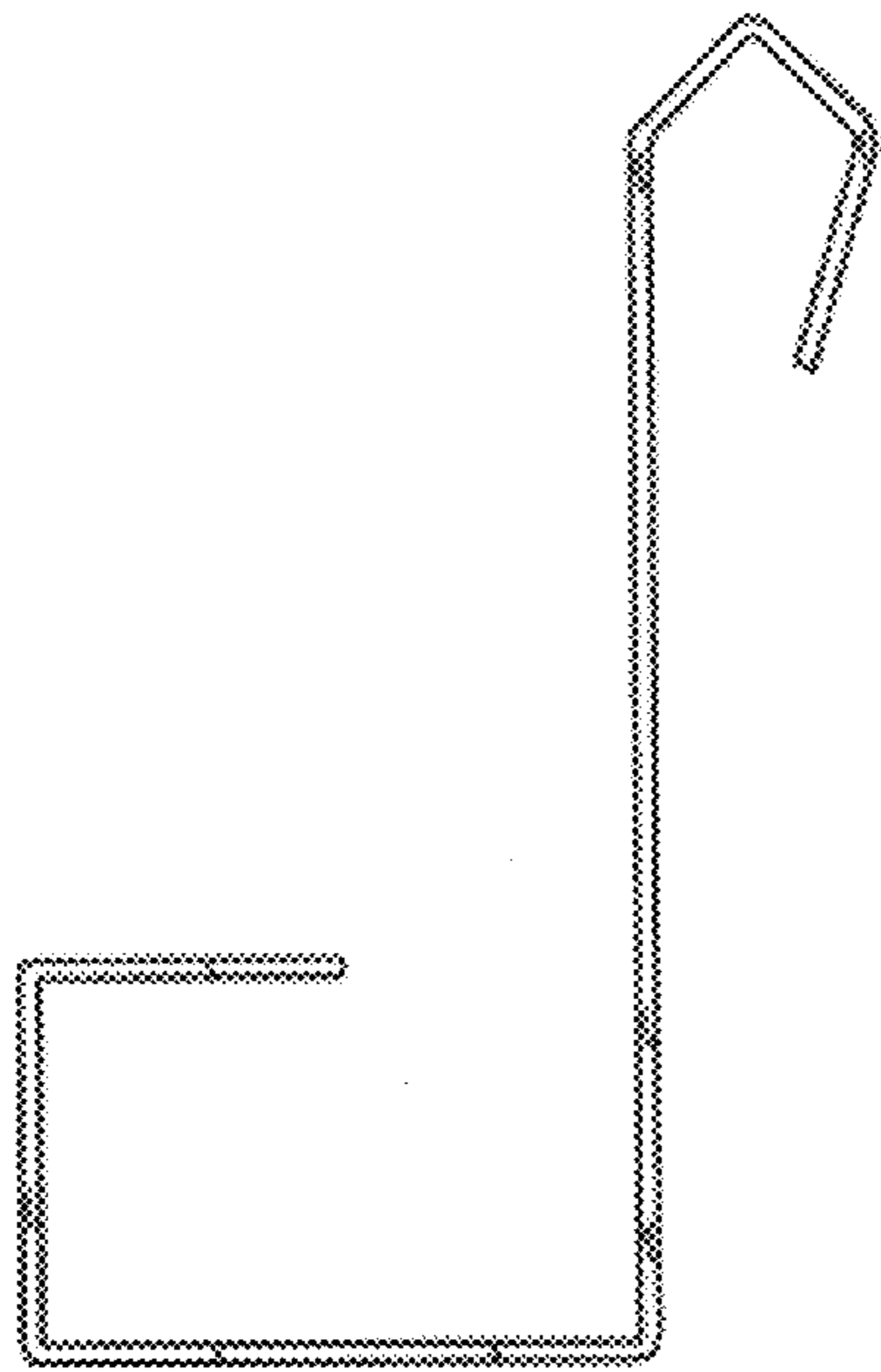


FIG. 2

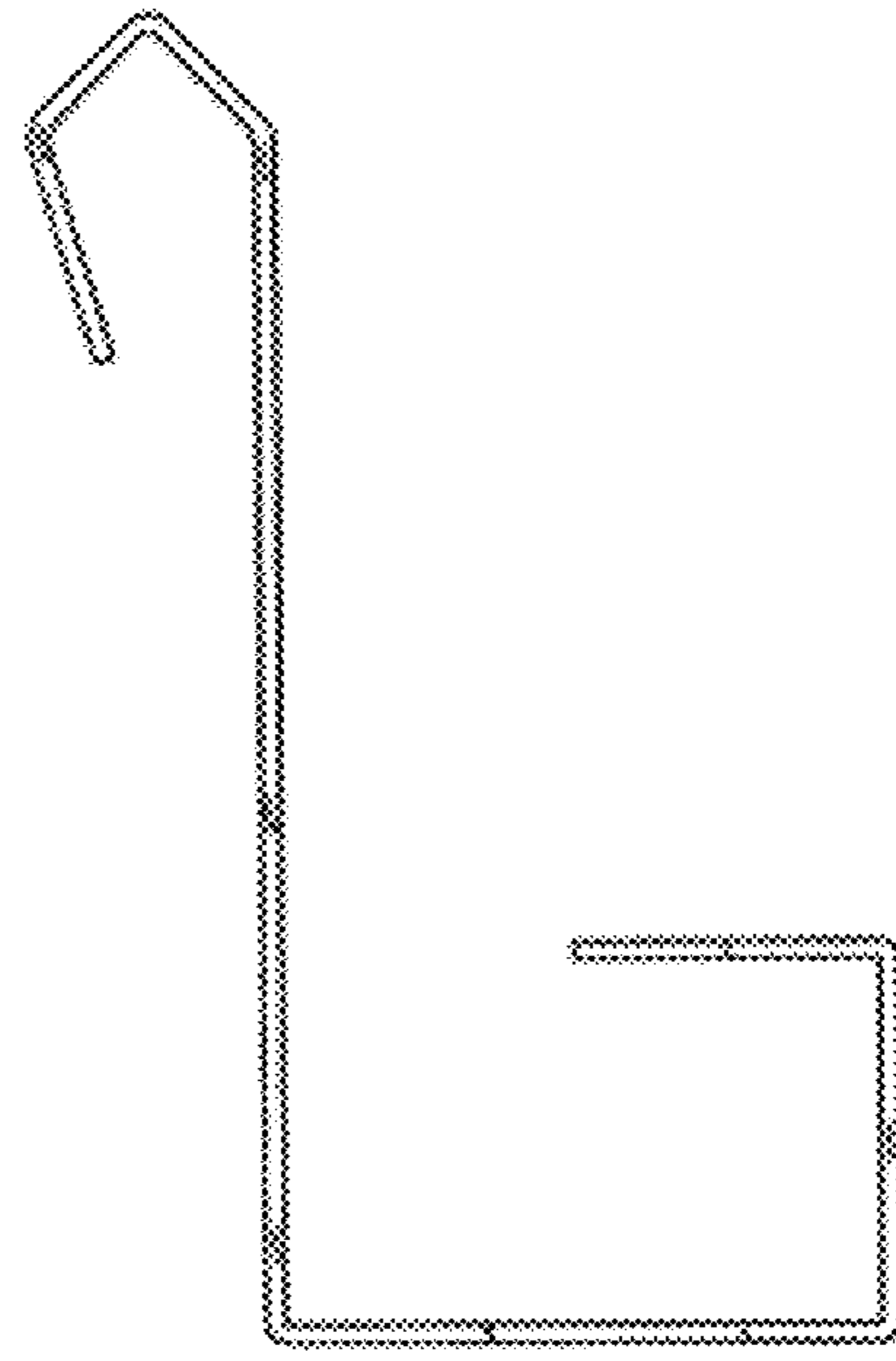


FIG. 3

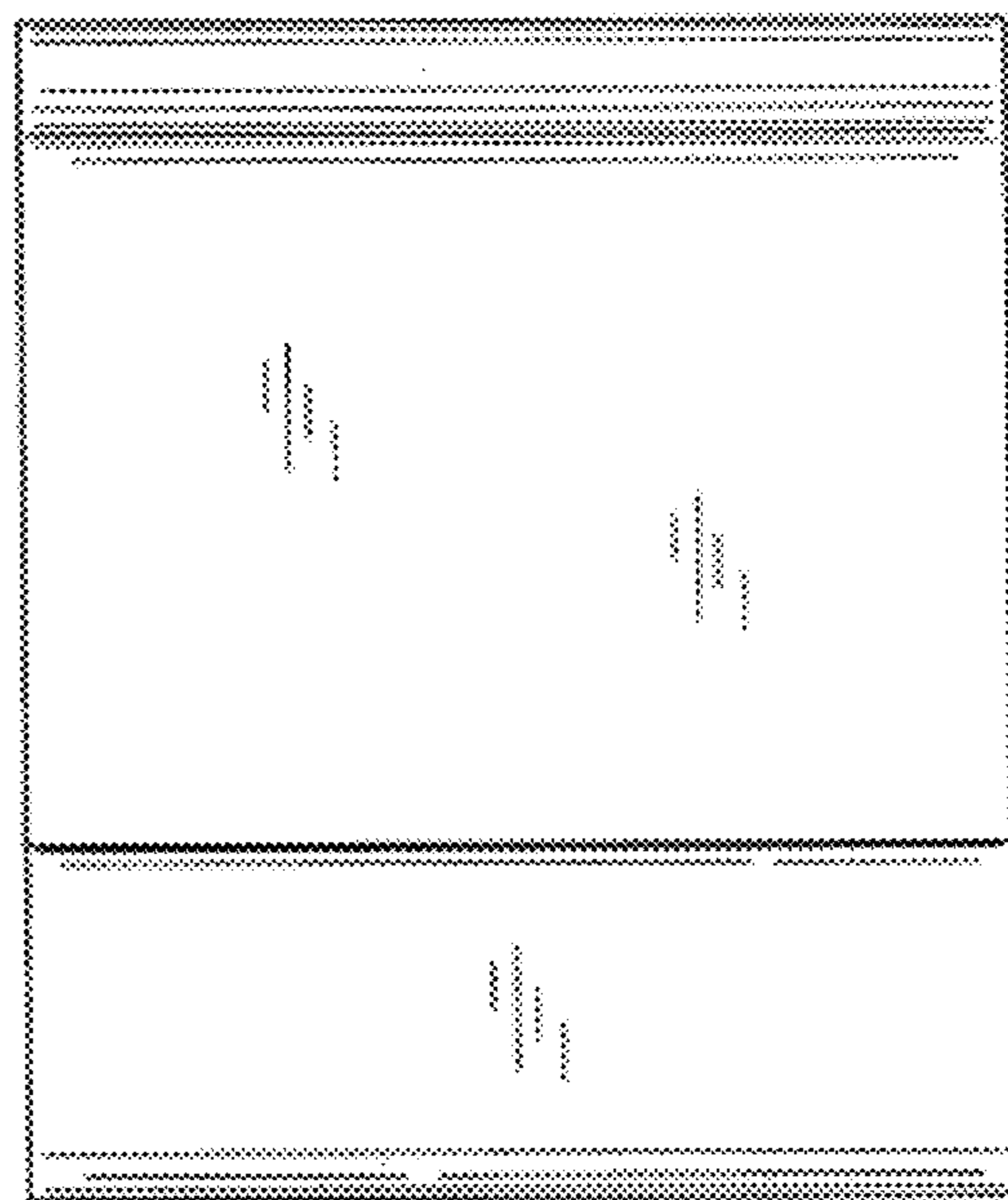


FIG. 4

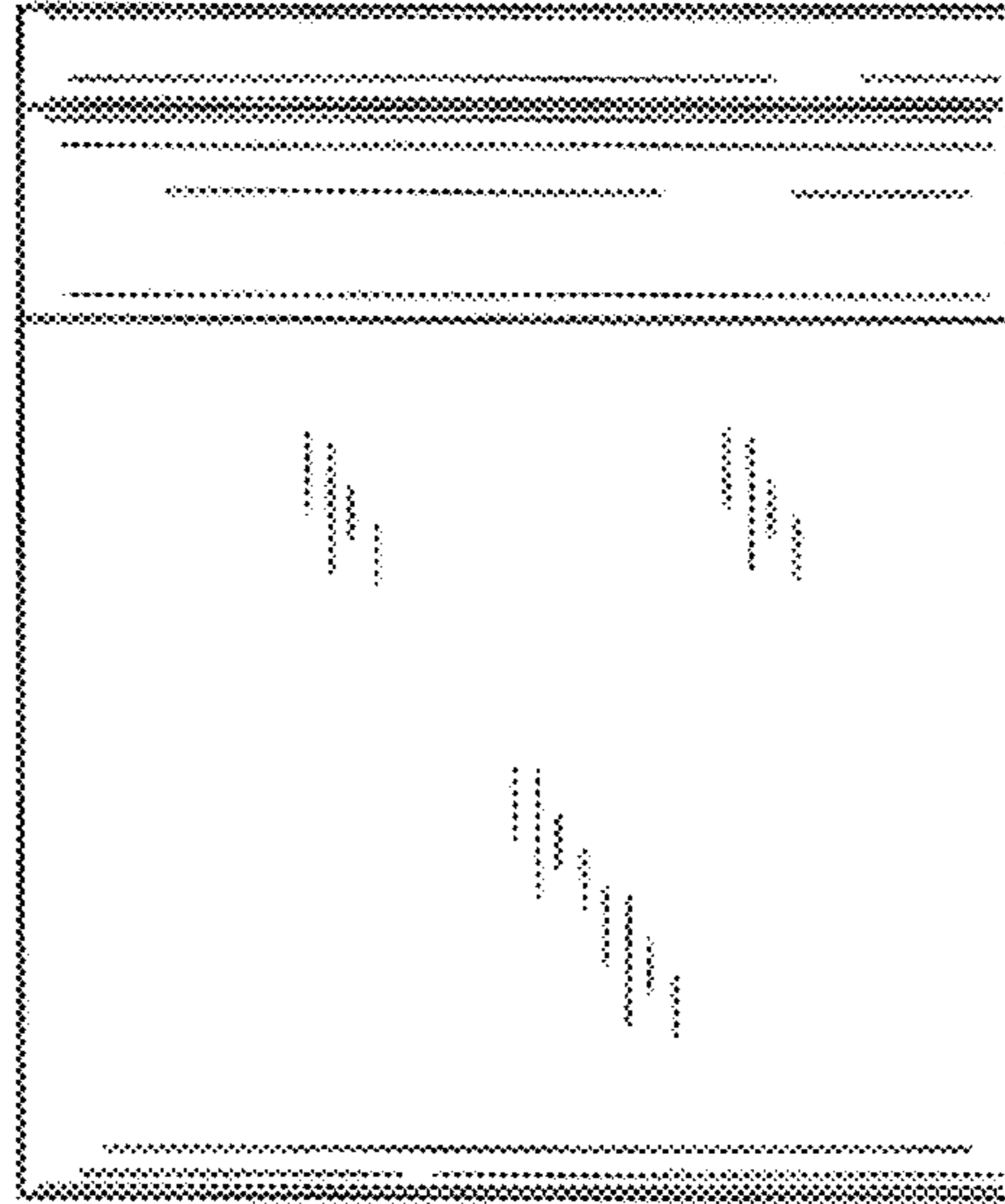


FIG. 5

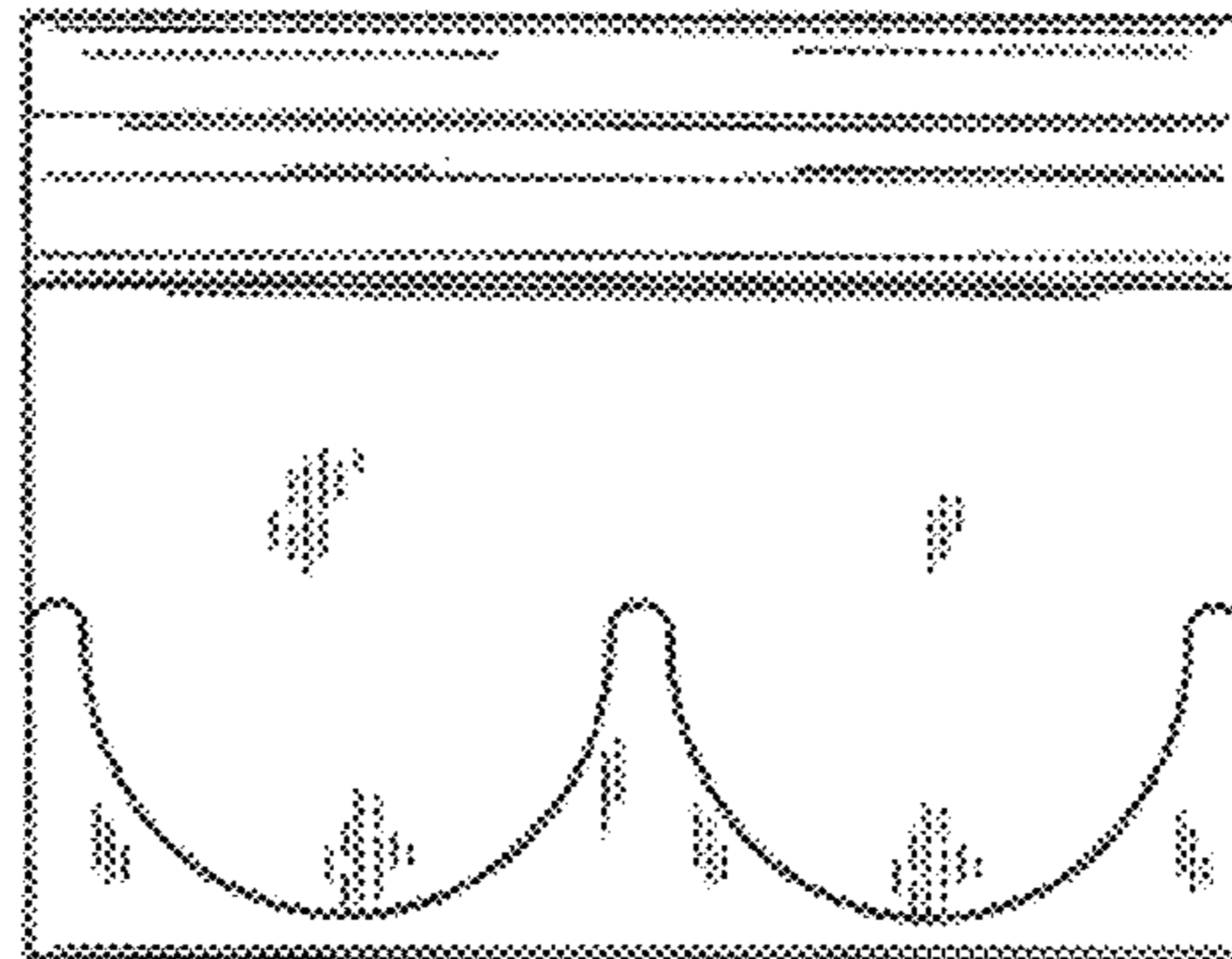


FIG. 6

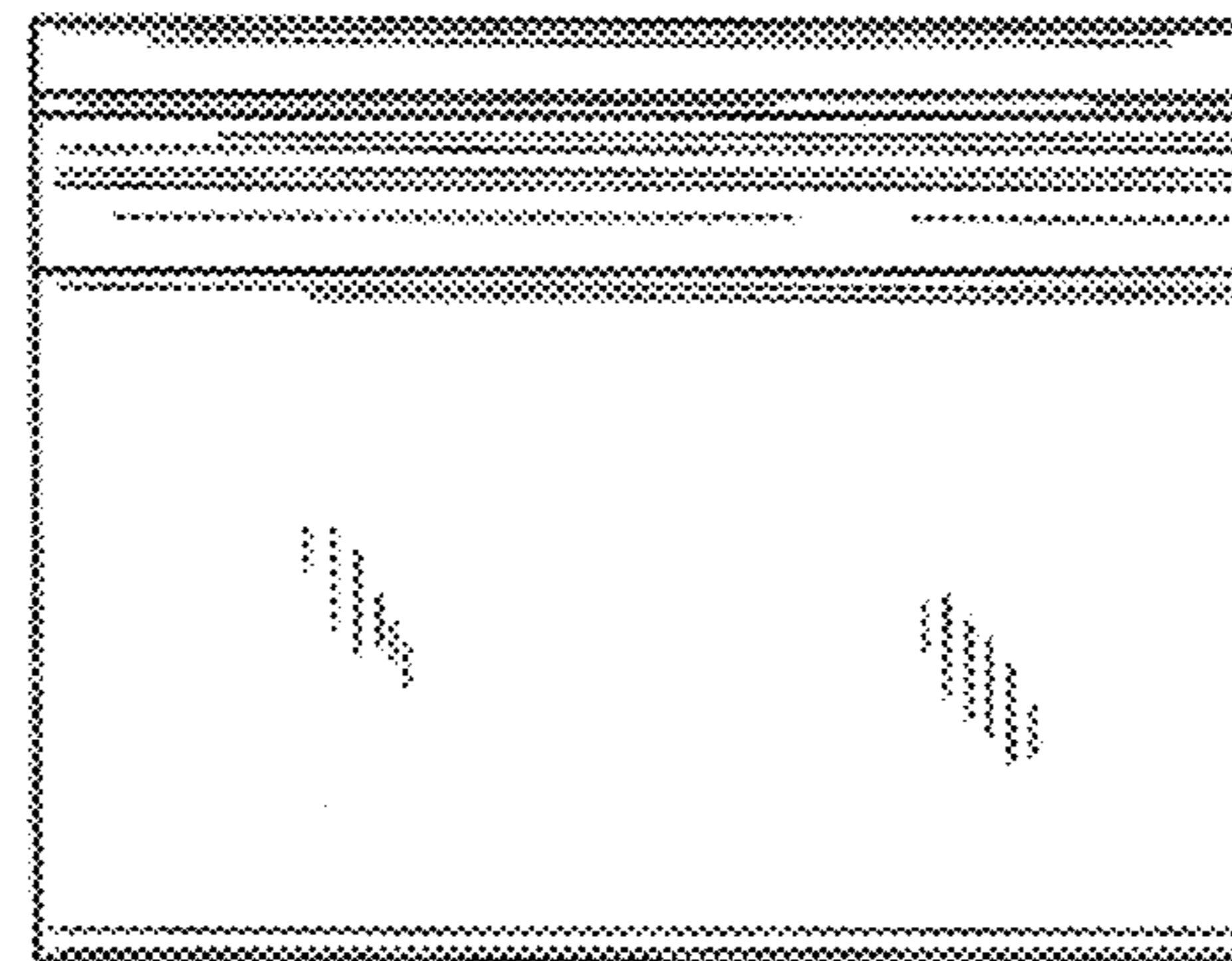


FIG. 7