

US00D668539S

(12) **United States Design Patent**
Barbieri et al.

(10) **Patent No.:** **US D668,539 S**
(45) **Date of Patent:** **** Oct. 9, 2012**

(54) **PACKAGE AND MATERIAL FOR PACKAGING**

(75) Inventors: **Marcello Barbieri**, Modena (IT);
Siegrid Putzer, Modena (IT); **Alice Olivieri**, Modena (IT); **Stefania Pertusi**, Sant'Agata Bolognese (IT); **Joyce Nassif**, Modena (IT)

(73) Assignee: **Tetra Laval Holdings & Finance SA**, Pully (CH)

(**) Term: **14 Years**

(21) Appl. No.: **29/380,548**

(22) Filed: **Dec. 7, 2010**

(30) **Foreign Application Priority Data**

Jun. 7, 2010 (EM) 1218549-0002

(51) **LOC (9) Cl.** **09-03**

(52) **U.S. Cl.** **D9/431; D9/433**

(58) **Field of Classification Search** D9/414, D9/418, 420-424, 430-433; 206/267, 269, 206/270, 273, 299, 737, 740, 822; 229/100, 229/101, 101.3, 106, 108-112, 114-117, 229/117.05-117.09, 117.24, 117.26, 221, 229/222, 227, 902, 939, 941, 942; D3/272

See application file for complete search history.

(56) **References Cited**

U.S. PATENT DOCUMENTS

D401,148	S	*	11/1998	Bouraoui et al.	D9/432
D447,941	S	*	9/2001	Quensel et al.	D9/559
D464,566	S	*	10/2002	Anchor et al.	D9/432
D502,103	S	*	2/2005	Schmedes	D9/523
7,017,796	B2	*	3/2006	Ishikawa	229/125.15
D534,073	S	*	12/2006	Stillerud	D9/560
D536,964	S	*	2/2007	Smith et al.	D9/430
D543,851	S	*	6/2007	Franic	D9/522
D609,088	S	*	2/2010	Kvam	D9/431
D635,018	S	*	3/2011	Wallace et al.	D9/433
7,934,637	B2	*	5/2011	Kaneko	229/125.14
2007/0170233	A1	*	7/2007	Fontanazzi	229/137
2011/0192118	A1	*	8/2011	Kaneko	53/458

* cited by examiner

Primary Examiner — Thomas Johannes

(74) *Attorney, Agent, or Firm* — Finnegan, Henderson, Farabow, Garrett & Dunner, LLP

(57) **CLAIM**

We claim the ornamental design for package and material for packaging, as shown and described.

DESCRIPTION

FIG. 1 is a top plan view of material for packaging according to our new design;
FIG. 2 is a right side view of a package, which is assembled, in part, from the material for packaging of FIG. 1;
FIG. 3 is a left side view thereof;
FIG. 4 is a front view thereof;
FIG. 5 is a rear view thereof;
FIG. 6 is a top view thereof; and,
FIG. 7 is a perspective view thereof.

1 Claim, 2 Drawing Sheets

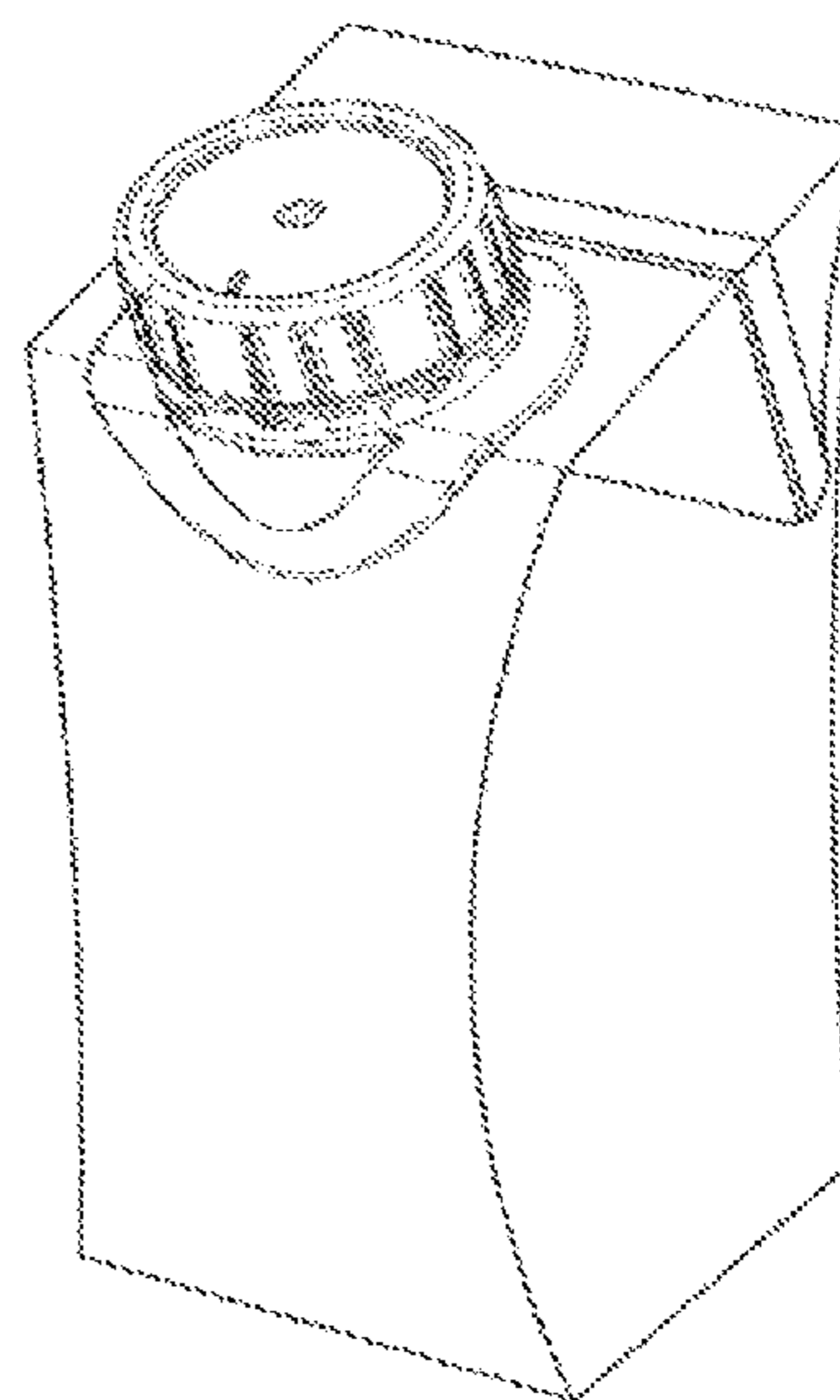
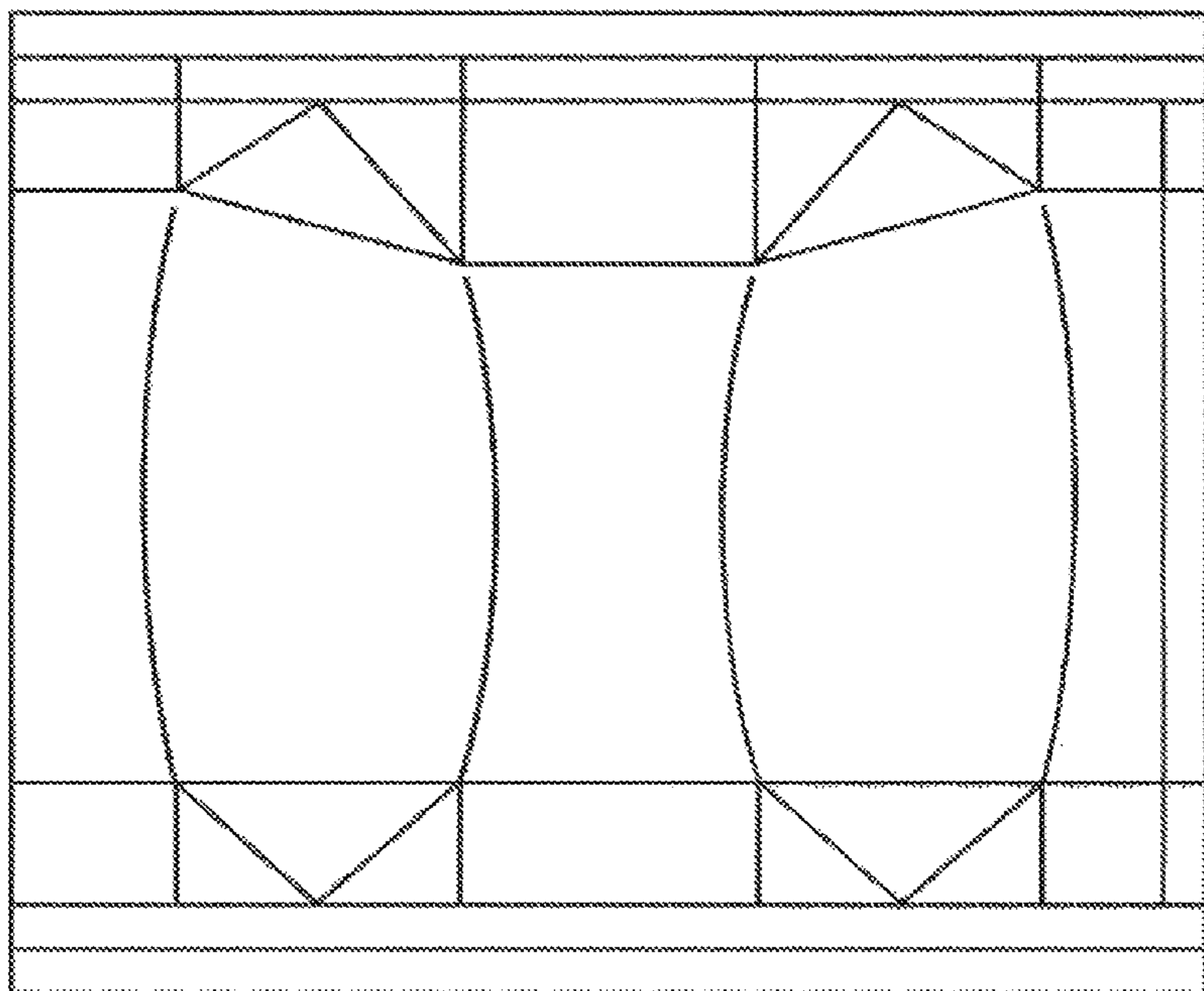


FIG. 1

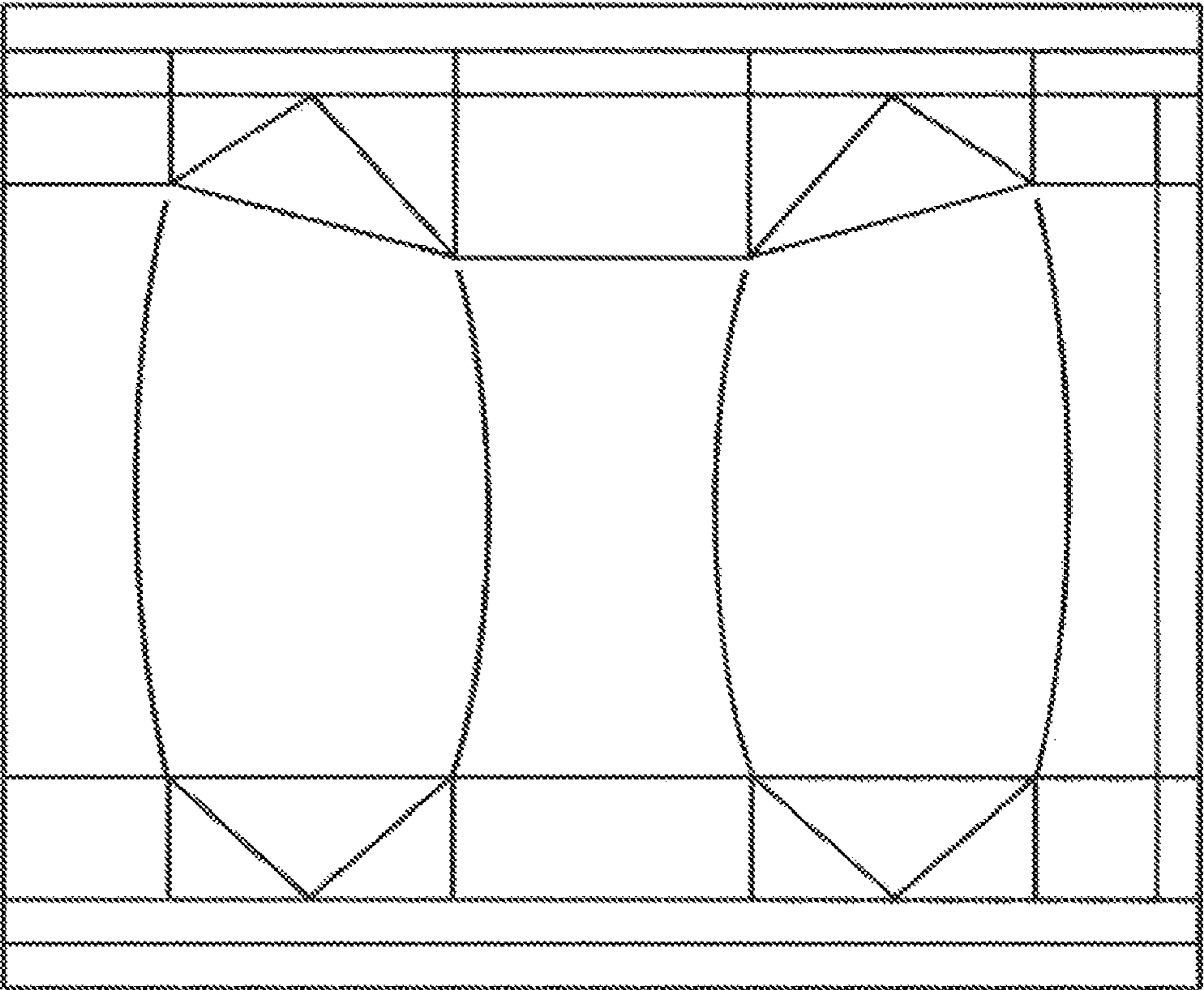


FIG. 2

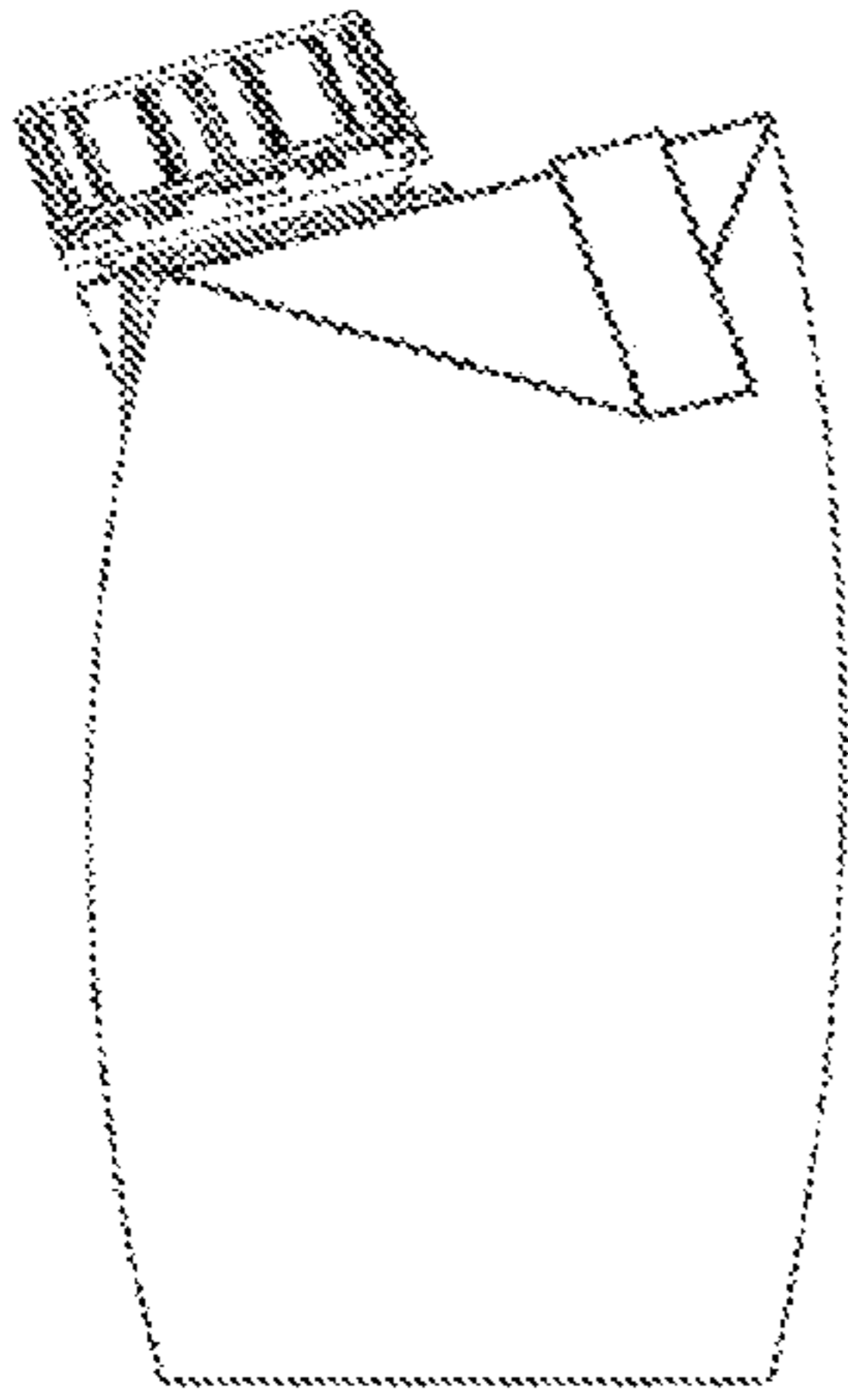


FIG. 4

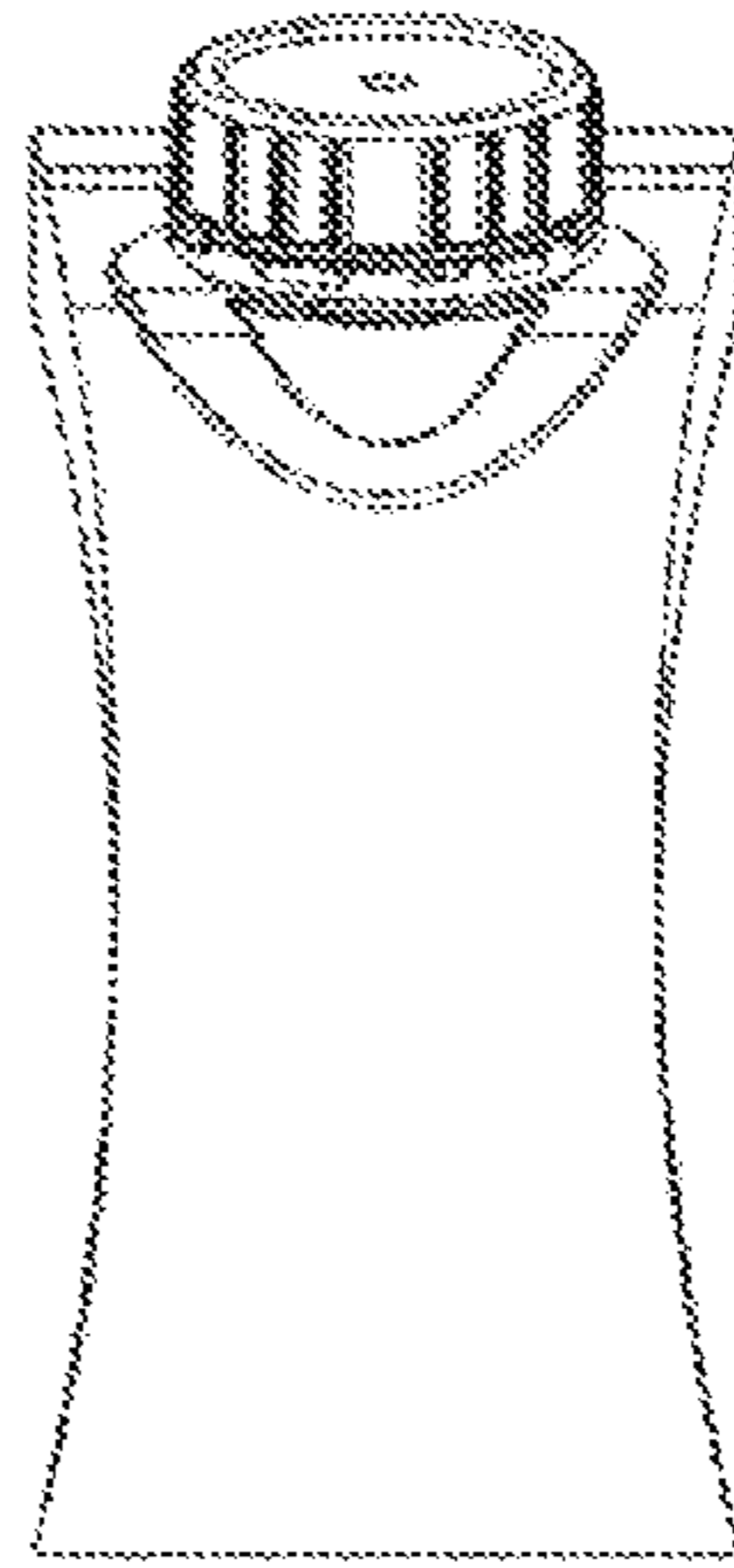


FIG. 7

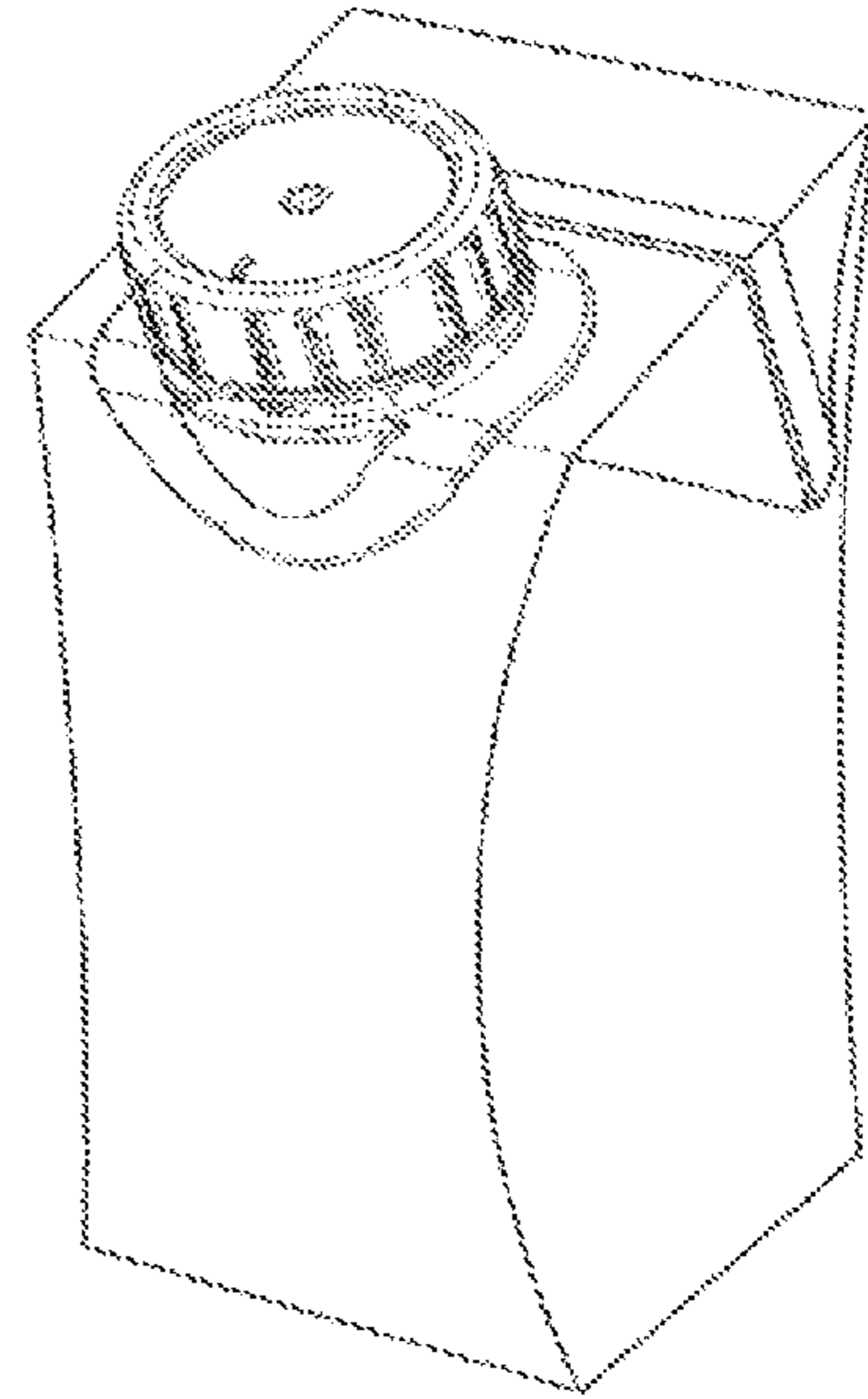


FIG. 3

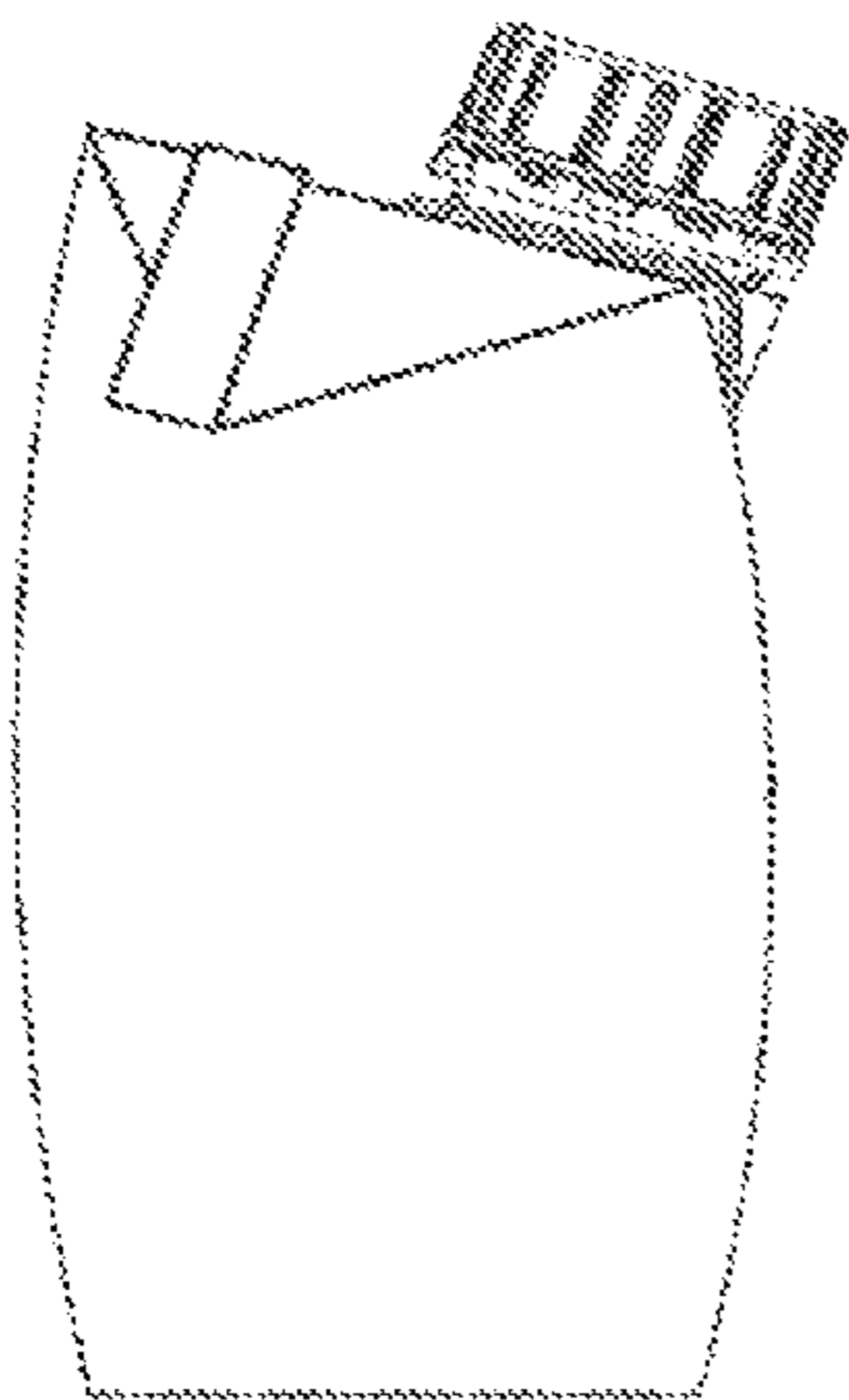


FIG. 5

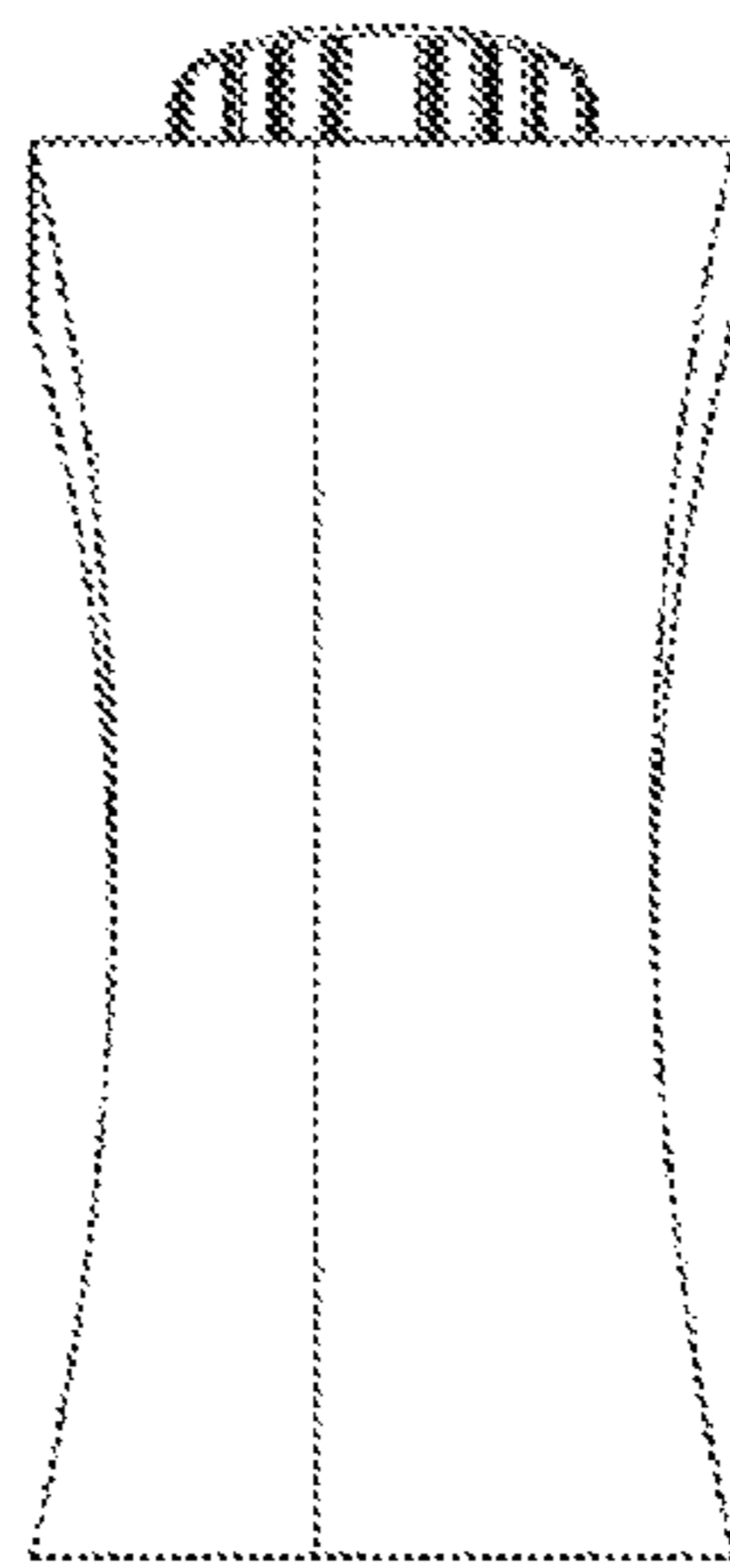


FIG. 6

