

US00D668538S

(12) **United States Design Patent**
Knutson et al.

(10) **Patent No.:** **US D668,538 S**

(45) **Date of Patent:** **** Oct. 9, 2012**

(54) **CONTAINER WITH A FLAT LID**

(75) Inventors: **Herb Knutson**, Waterbury, CT (US);
Robert Sellari, Huntington, CT (US)

(73) Assignee: **Inline Plastics Corp.**, Shelton, CT (US)

(**) Term: **14 Years**

(21) Appl. No.: **29/404,737**

(22) Filed: **Oct. 25, 2011**

(51) **LOC (9) Cl.** **09-03**

(52) **U.S. Cl.** **D9/429**

(58) **Field of Classification Search** D9/424,
D9/425, 428, 429, 431; D7/530, 531, 608;
229/400-406, 932, 906.1; 220/656-659,
220/669-675, 912, 4.21-4.27; 206/499,
206/508, 557

See application file for complete search history.

(56) **References Cited**

U.S. PATENT DOCUMENTS

D280,490 S * 9/1985 Tyler D9/425
7,350,789 B2 * 4/2008 Uffner et al. 280/33.998

D634,188 S * 3/2011 Sellari et al. D9/424
D634,617 S * 3/2011 Sellari et al. D9/424
D637,481 S * 5/2011 Sellari et al. D9/424
D638,290 S * 5/2011 Cimmerer et al. D9/429

* cited by examiner

Primary Examiner — Thomas Johannes

(74) *Attorney, Agent, or Firm* — Edwards Wildman Palmer
LLP; David J. Silvia

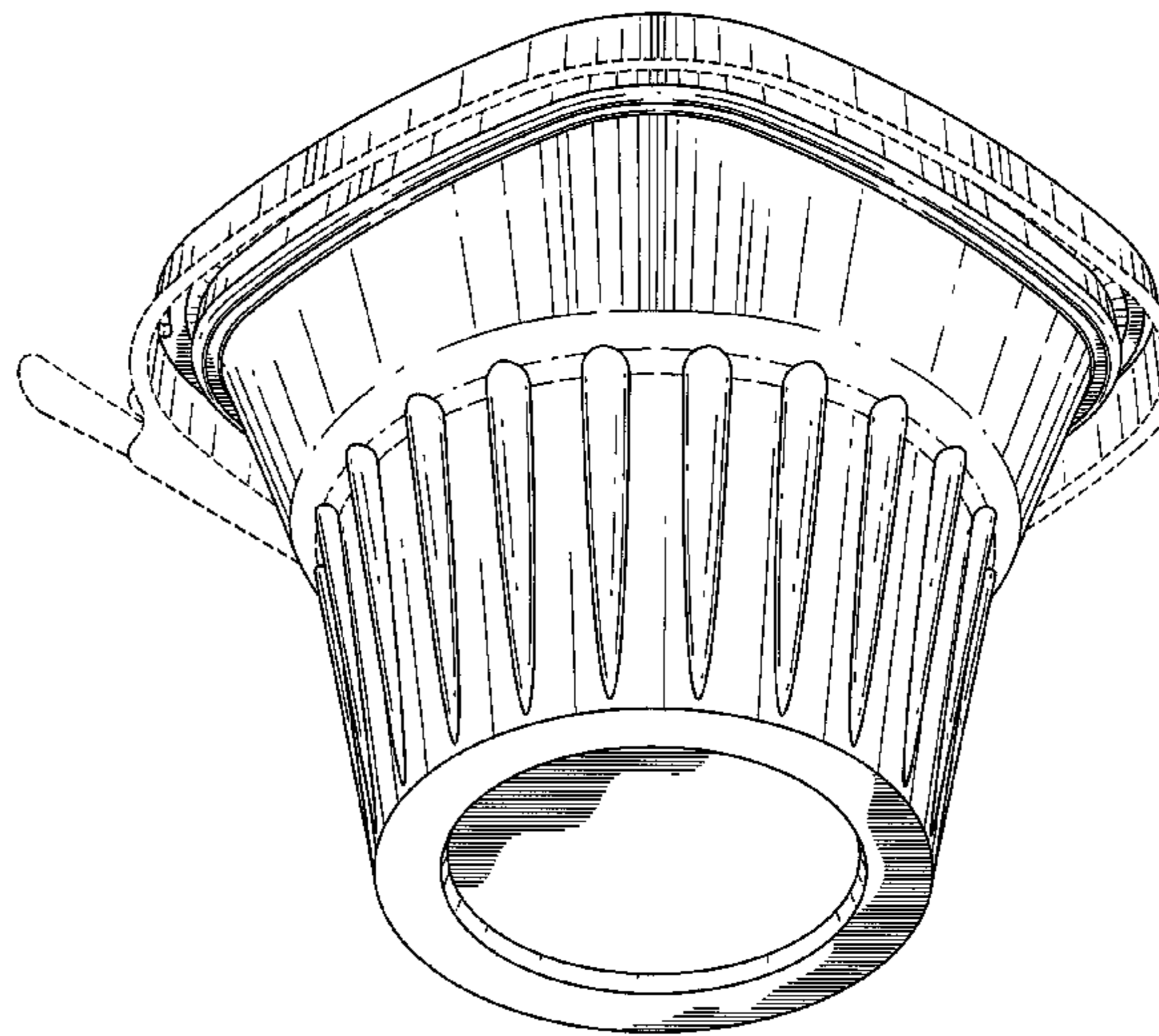
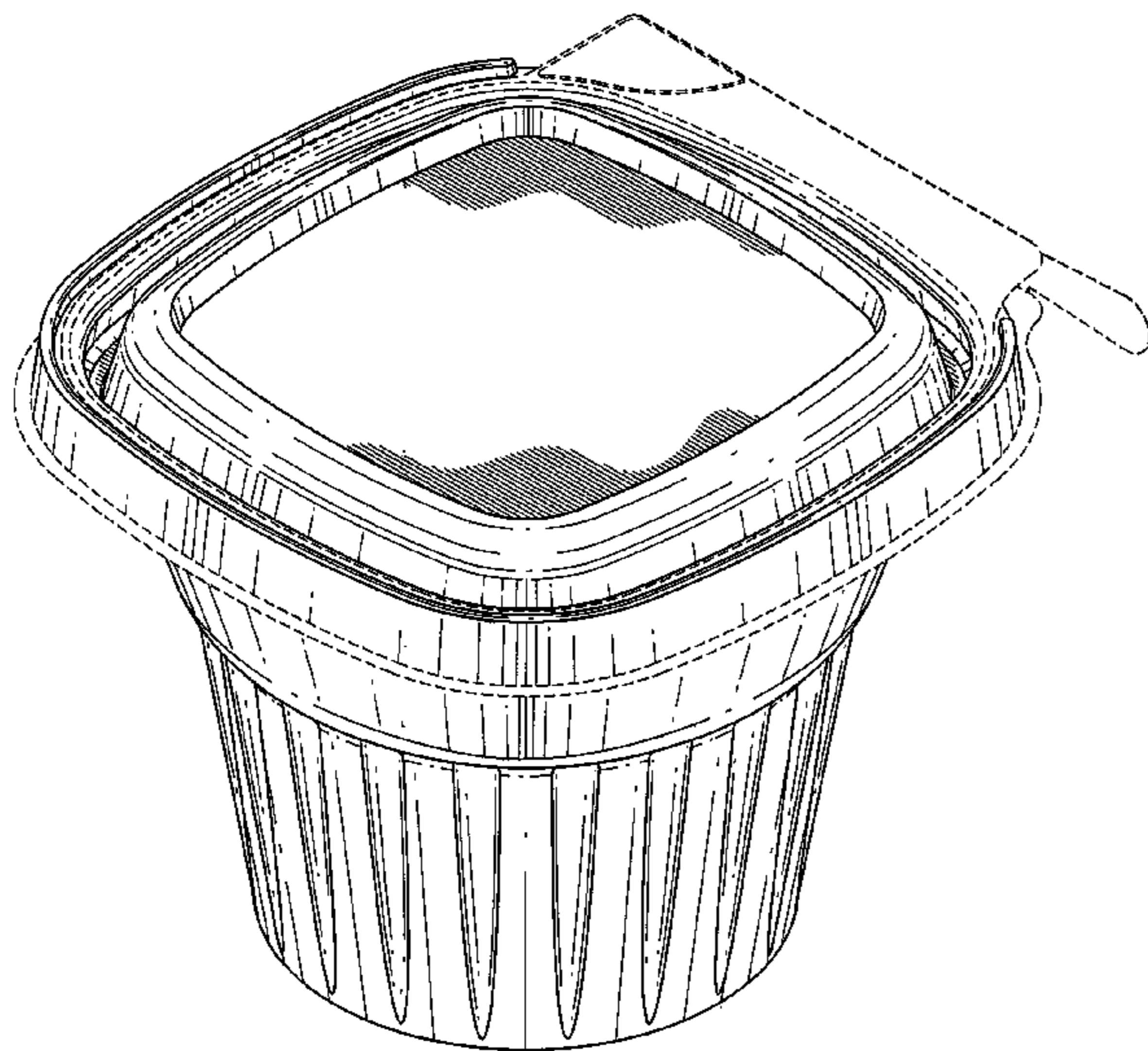
(57) **CLAIM**

The ornamental design for a container with a flat lid, as is shown and described.

DESCRIPTION

FIG. 1 is a perspective view taken from above of a container with a flat lid showing our new design; FIG. 2 is a front view thereof; FIG. 3 is a top view thereof; FIG. 4 is a bottom view thereof; and, FIG. 5 is a perspective view taken from below thereof. The broken lines shown in the drawings represent unclaimed portions of the container and form no part of the claimed design.

1 Claim, 5 Drawing Sheets



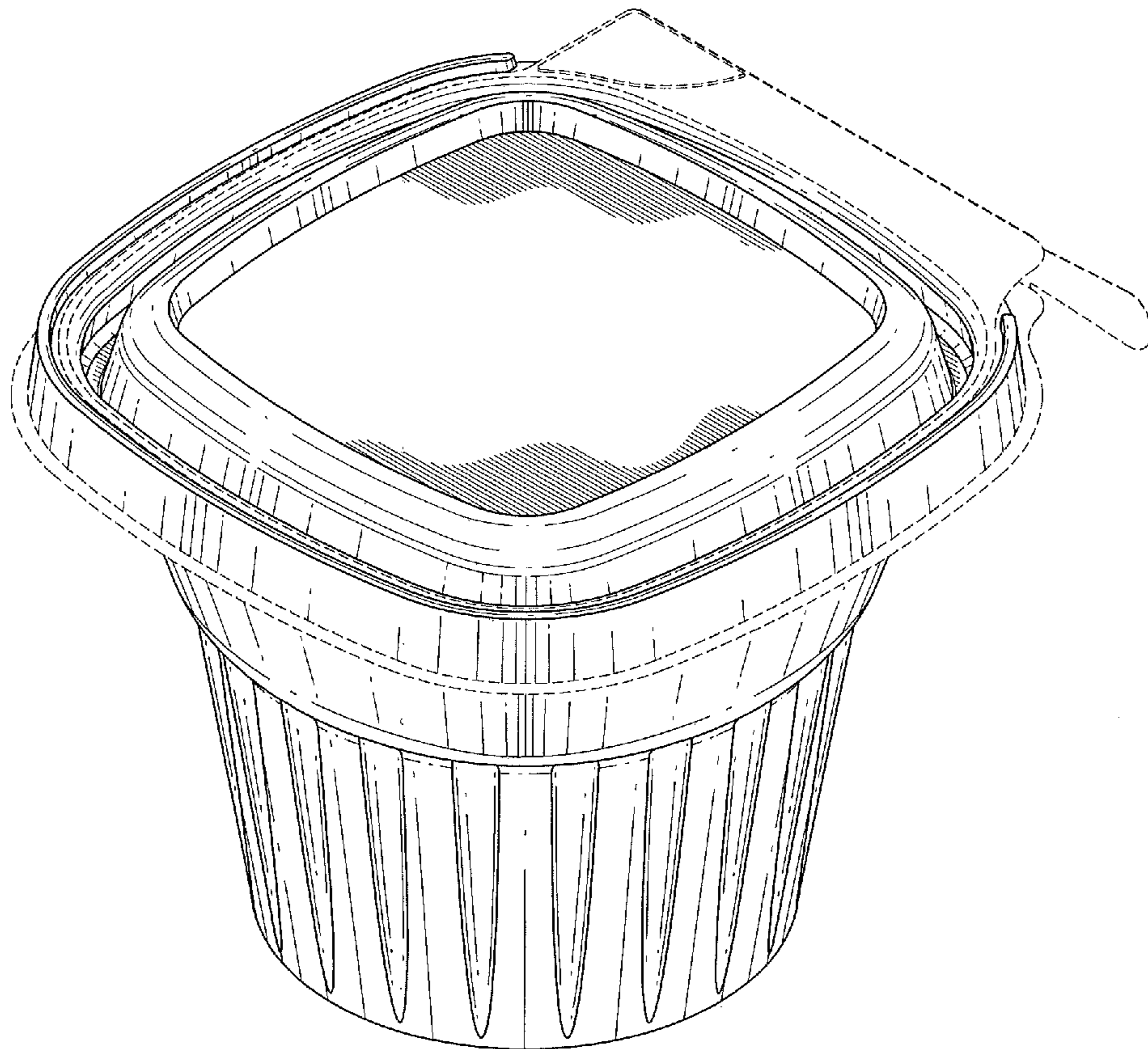


FIGURE 1

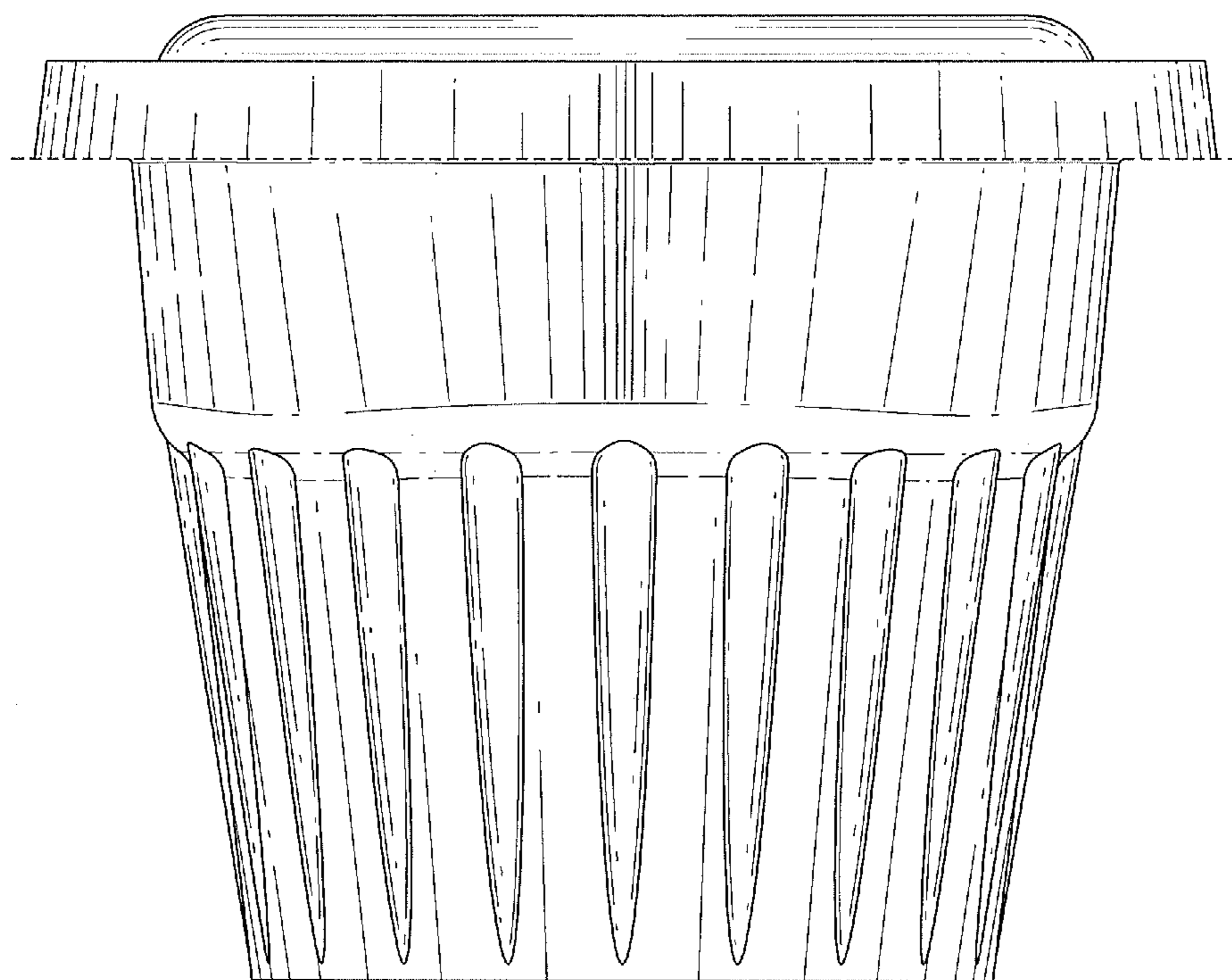


FIGURE 2

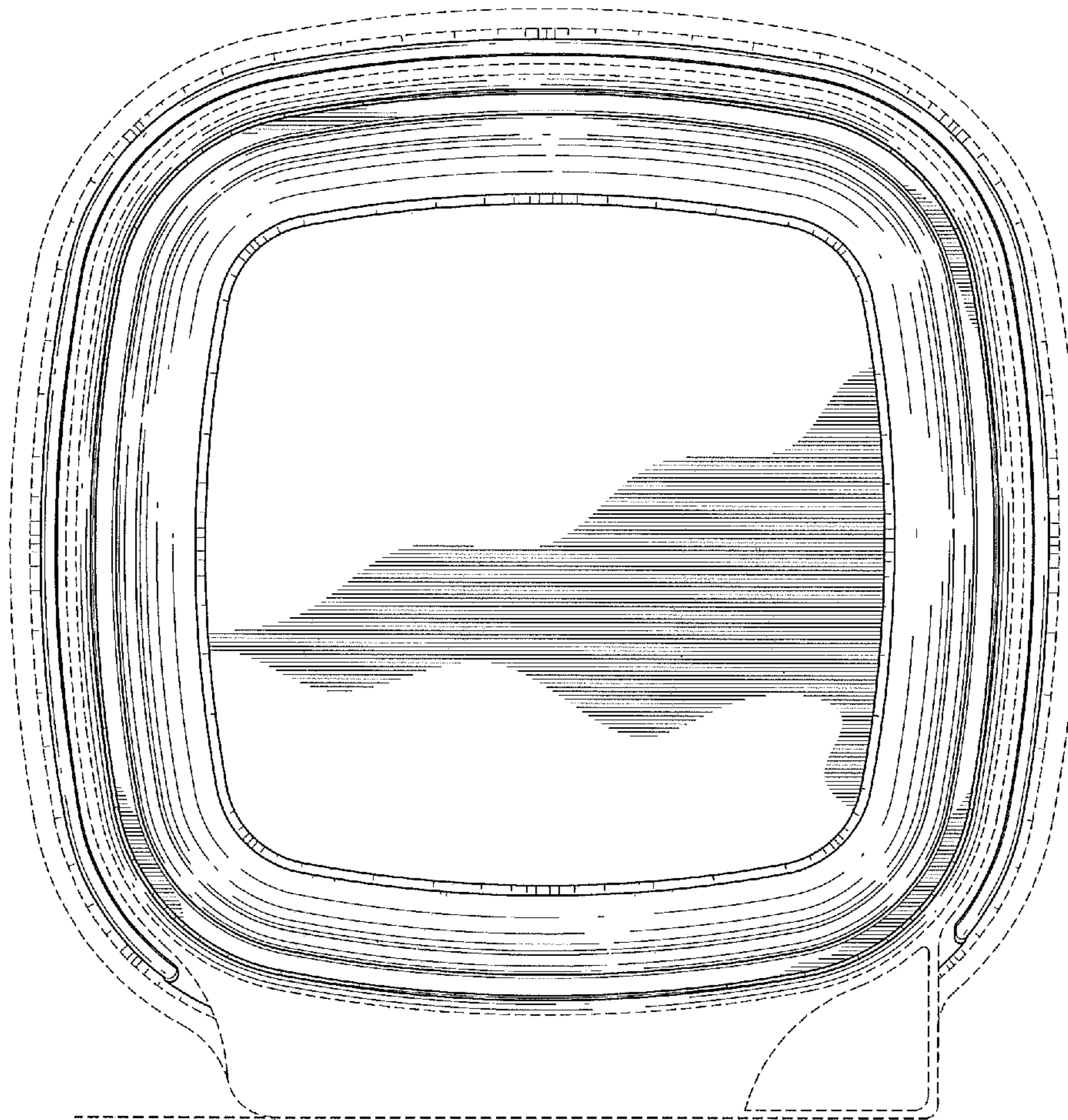


FIGURE 3

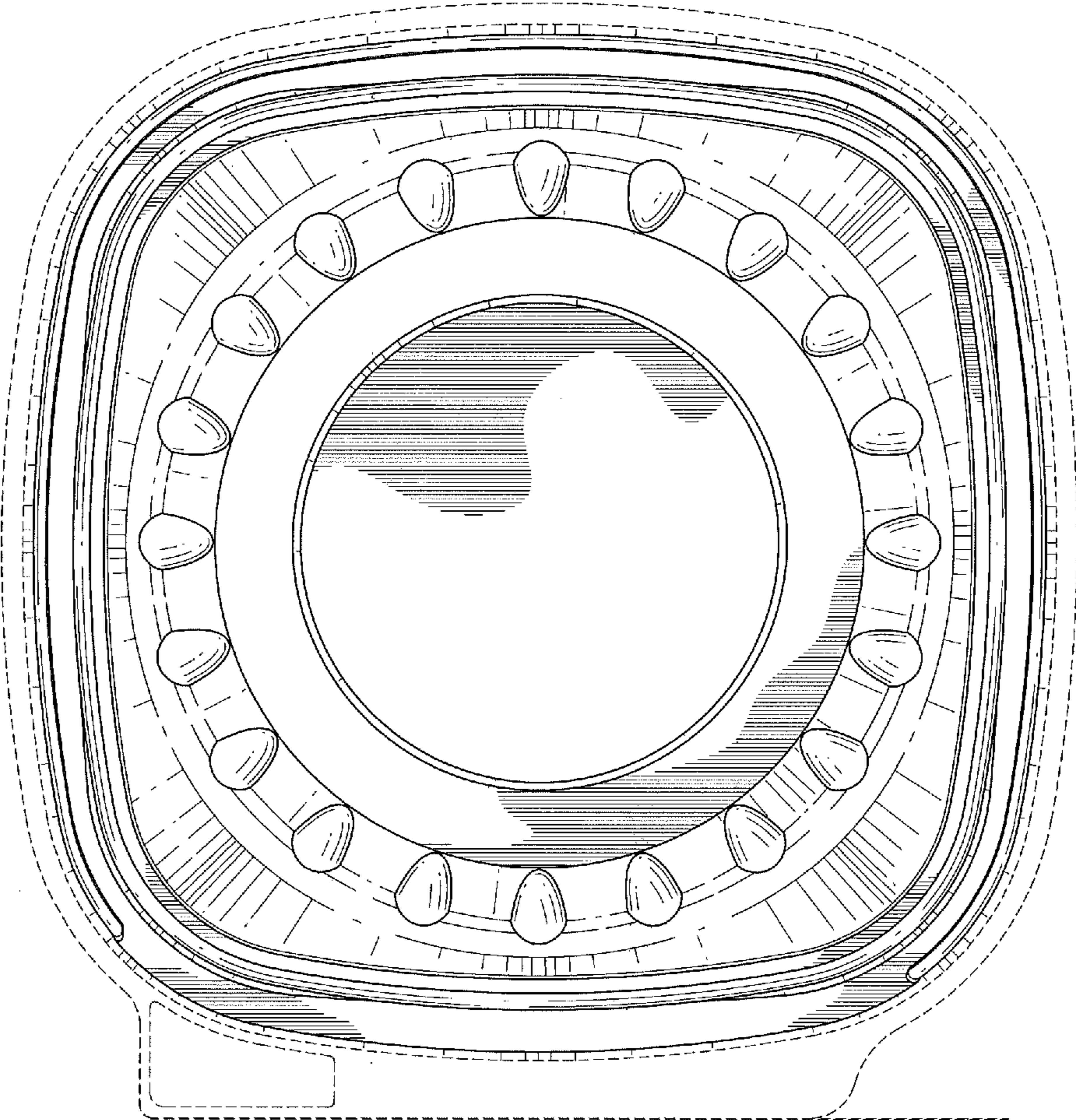


FIGURE 4

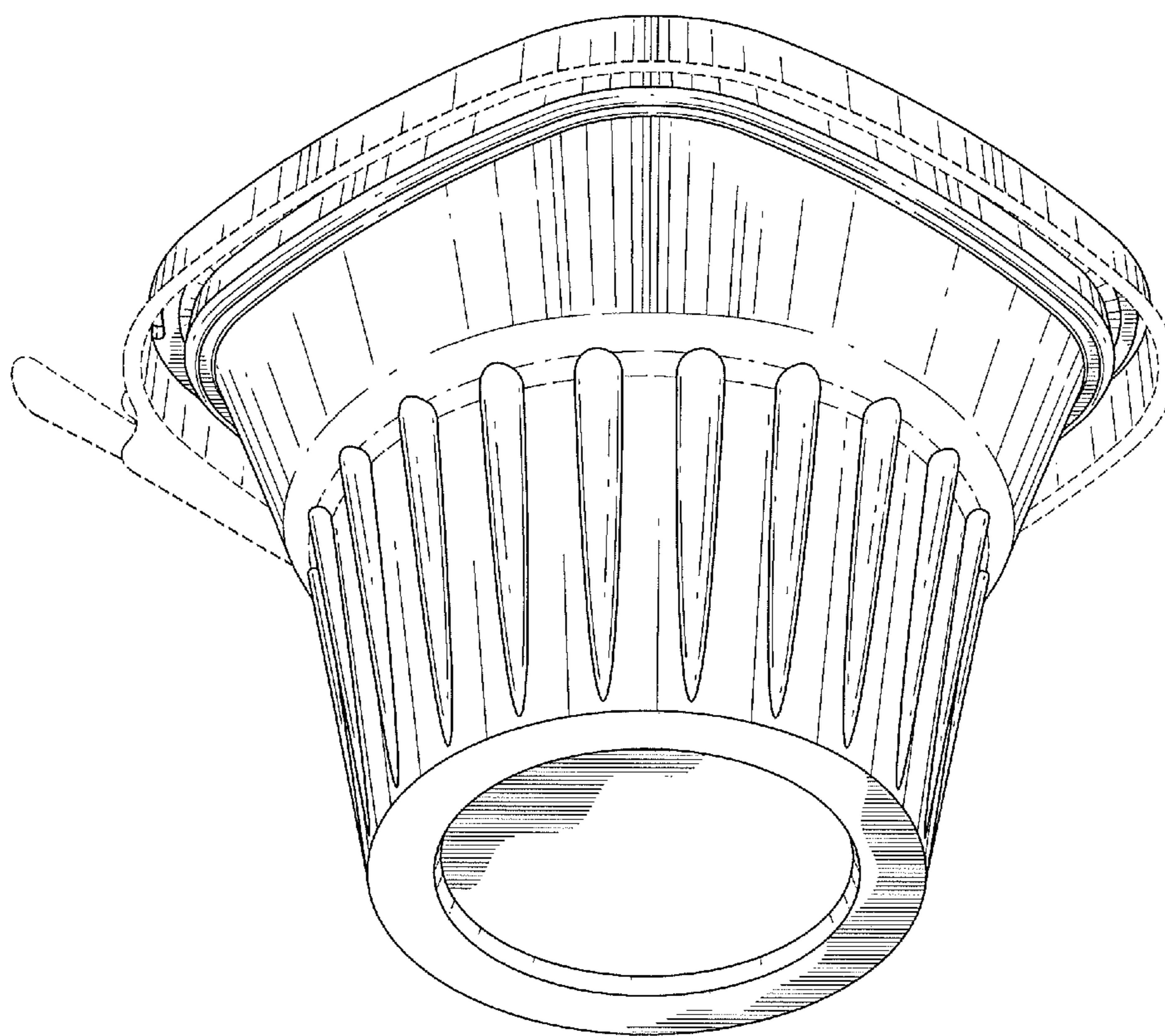


FIGURE 5