



US00D668527S

(12) **United States Design Patent**
Noumi et al.

(10) **Patent No.:** **US D668,527 S**
(45) **Date of Patent:** **** Oct. 9, 2012**

(54) **WINDING CORE**

(75) Inventors: **Shunsuke Noumi**, Osaka (JP);
Shunichiro Sayanagi, Osaka (JP)

(73) Assignee: **Nitto Denko Corporation**, Osaka (JP)

(**) Term: **14 Years**

(21) Appl. No.: **29/386,259**

(22) Filed: **Feb. 25, 2011**

(30) **Foreign Application Priority Data**

Aug. 27, 2010 (JP) 2010-020730
Aug. 27, 2010 (JP) 2010-020731
Aug. 27, 2010 (JP) 2010-020732
Dec. 21, 2010 (JP) 2010-030546

(51) **LOC (9) Cl.** **08-05**

(52) **U.S. Cl.** **D8/356**

(58) **Field of Classification Search** 248/68.1,
248/49, 51, 56, 60, 176.1, 304, 305, 339,
248/217.2; D8/356, 354, 349, 360, 355,
D8/361, 362, 366, 367, 380, 373, 377, 395;
D13/155; D6/512; D14/432, 217, 299; 411/431,
411/372.5; D18/34.9, 56; 24/698; 294/16;
138/106

See application file for complete search history.

(56) **References Cited**

U.S. PATENT DOCUMENTS

429,041 A * 5/1890 Lynch 138/106
2,831,948 A * 4/1958 Fraser 200/295
3,540,669 A 11/1970 Schmidt et al.
3,579,859 A * 5/1971 Malenge 434/96
4,185,125 A * 1/1980 Sakakibara et al. 426/439
5,070,597 A * 12/1991 Holt et al. 29/887

5,943,836 A * 8/1999 Kassardjian 52/301
6,189,575 B1 * 2/2001 Ions et al. 138/106
6,204,584 B1 * 3/2001 Muszynski 310/156.08
D513,471 S * 1/2006 Sato et al. D8/382
D534,416 S * 1/2007 Kelleghan D8/356
D549,753 S * 8/2007 Kanemitsu D15/148
7,364,111 B2 * 4/2008 Schleucher 242/580
2005/0076602 A1 * 4/2005 Routhier 52/698

FOREIGN PATENT DOCUMENTS

JP 47-2810 1/1972
JP 1-162467 U 11/1989
JP 2-108981 U 8/1990
JP 2004-106225 A 4/2004
JP 2005-298094 A 10/2005

OTHER PUBLICATIONS

Nippo Co., Ltd., Food Packaging Magazine, Feb. 2009 Issue No. 679,
Lotus Core, Design No. HA20011945, Feb. 10, 2009, 4 pages, Japan.

* cited by examiner

Primary Examiner — Cynthia Underwood

(74) *Attorney, Agent, or Firm* — Dennis R. Haszko

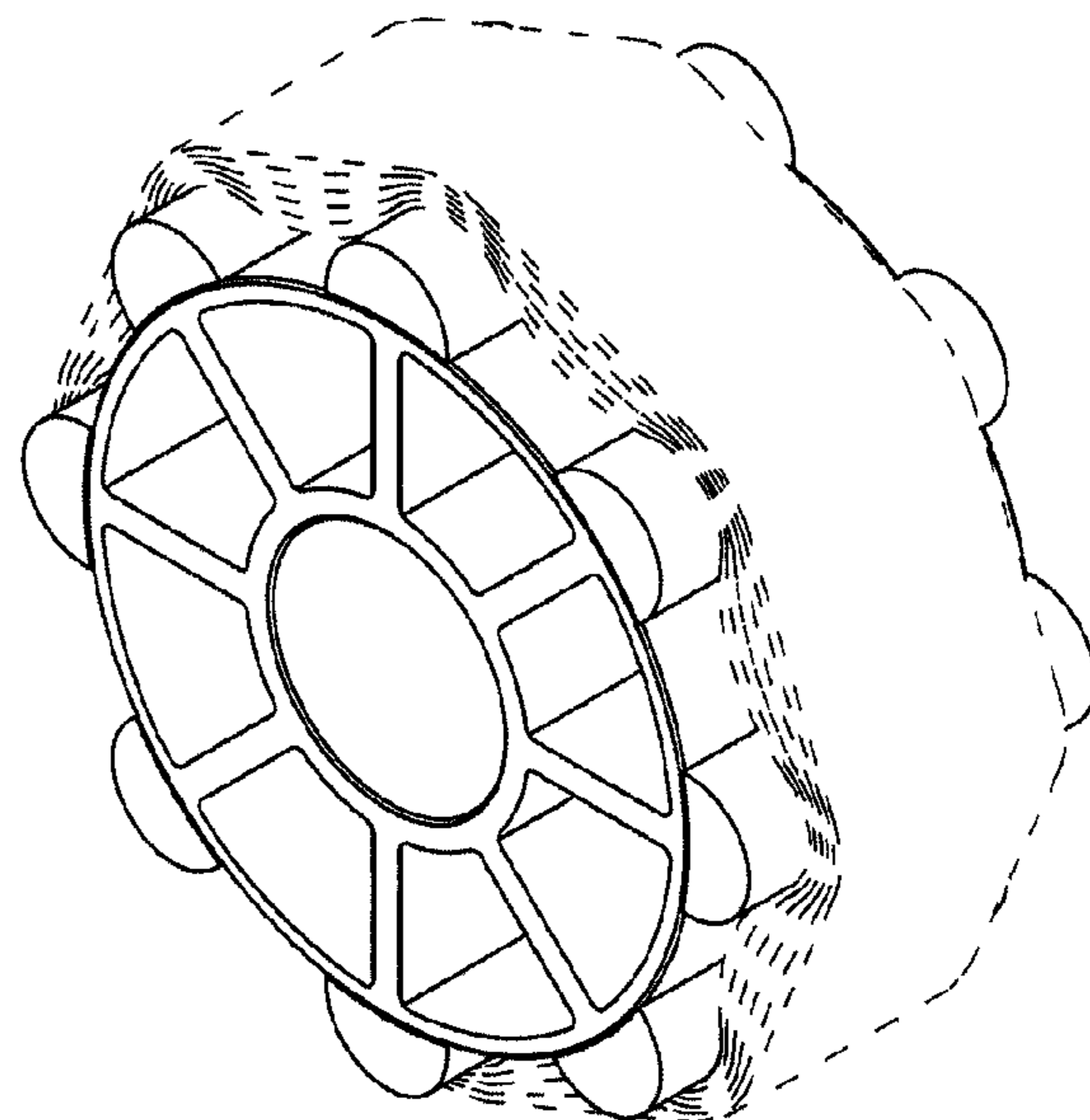
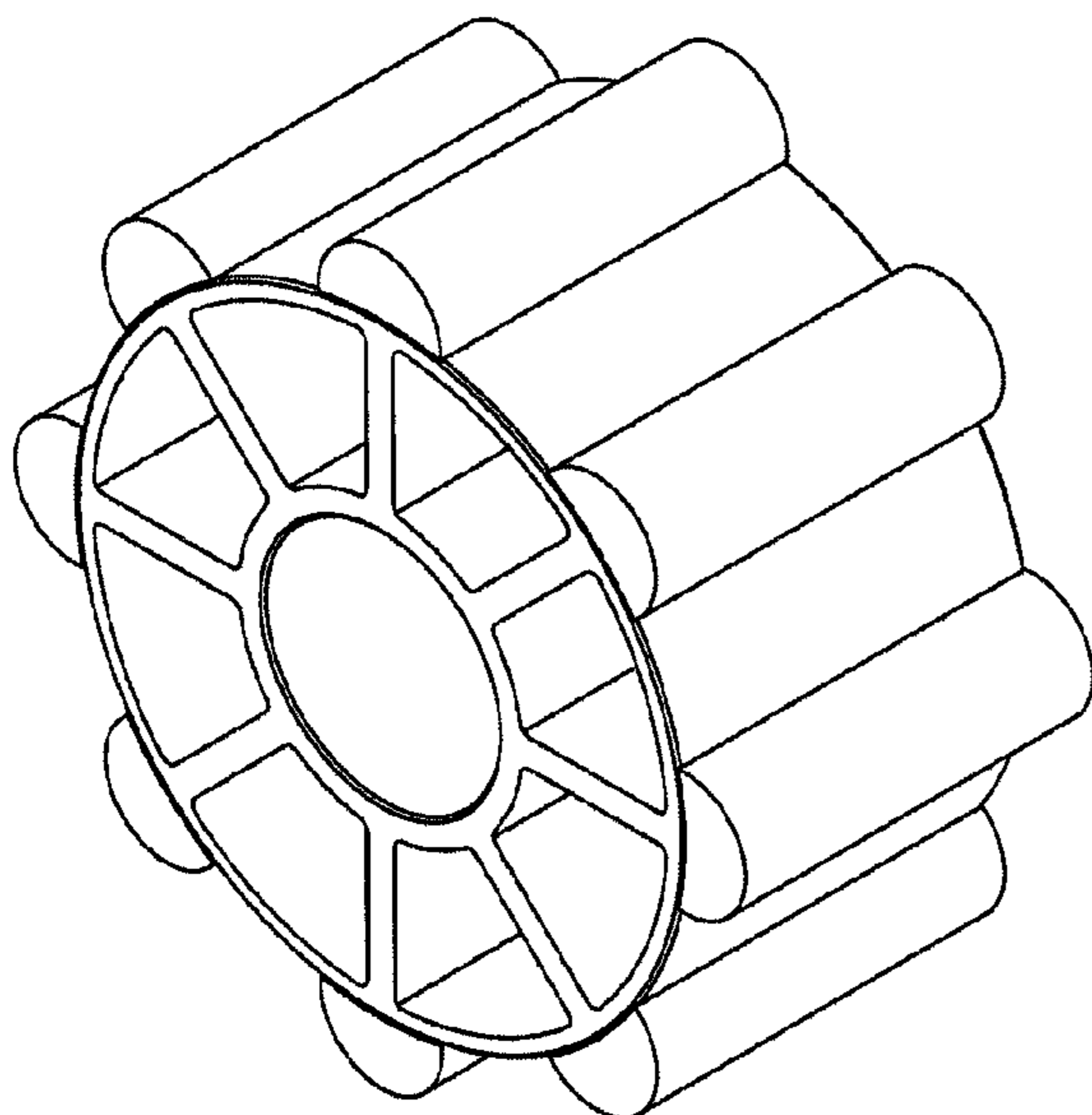
(57) **CLAIM**

The ornamental design for a winding core, as shown and described.

DESCRIPTION

FIG. 1 is a perspective view of a winding core;
FIG. 2 is a front view thereof;
FIG. 3 is a plan view thereof;
FIG. 4 is a right side view thereof;
FIG. 5 is a sectional view taken at 5-5 of FIG. 3; and,
FIG. 6 is a reference view thereof showing the actual use.
The portions shown in broken lines do not form part of the claimed design.

1 Claim, 3 Drawing Sheets



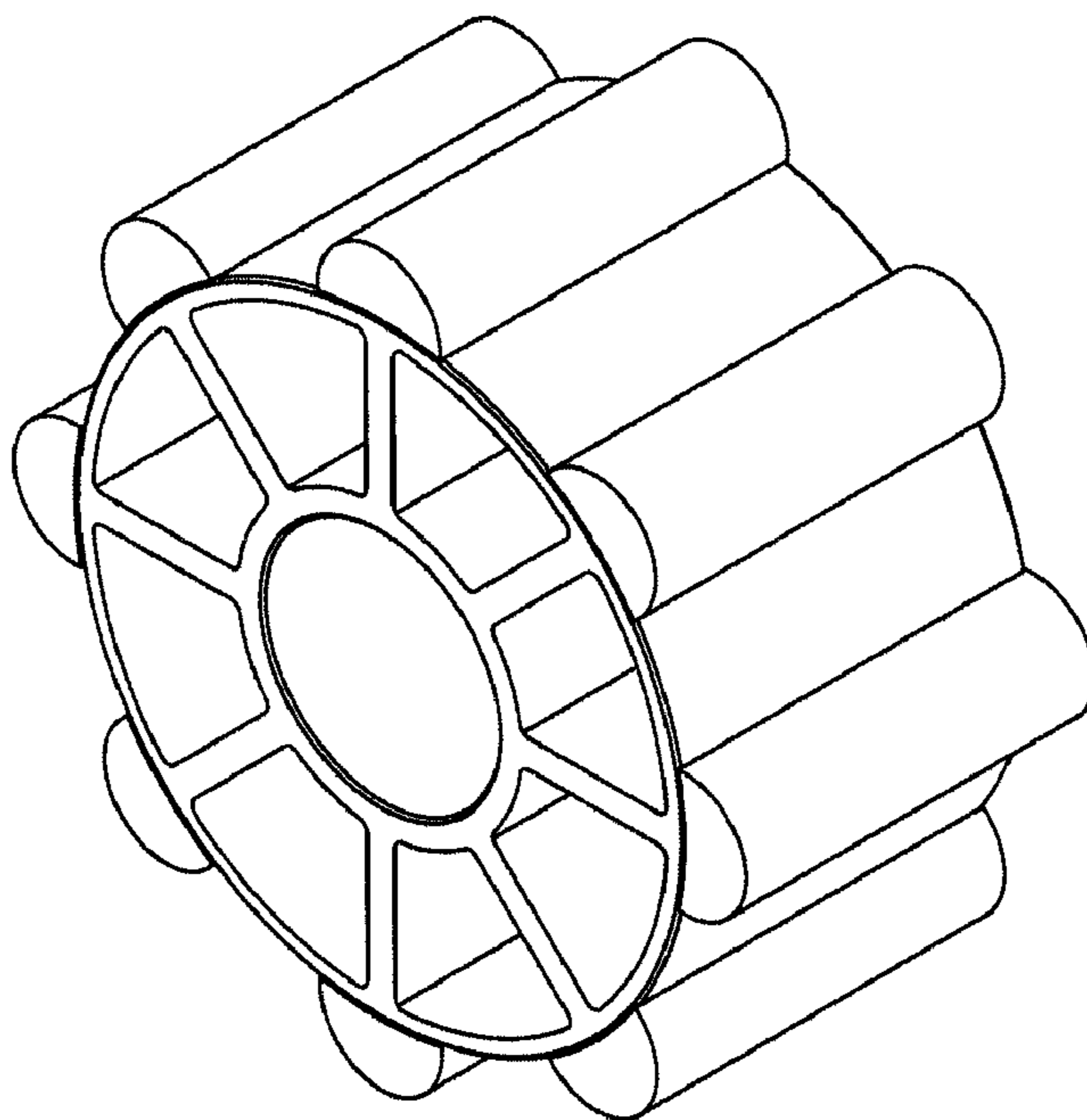


FIG. 1

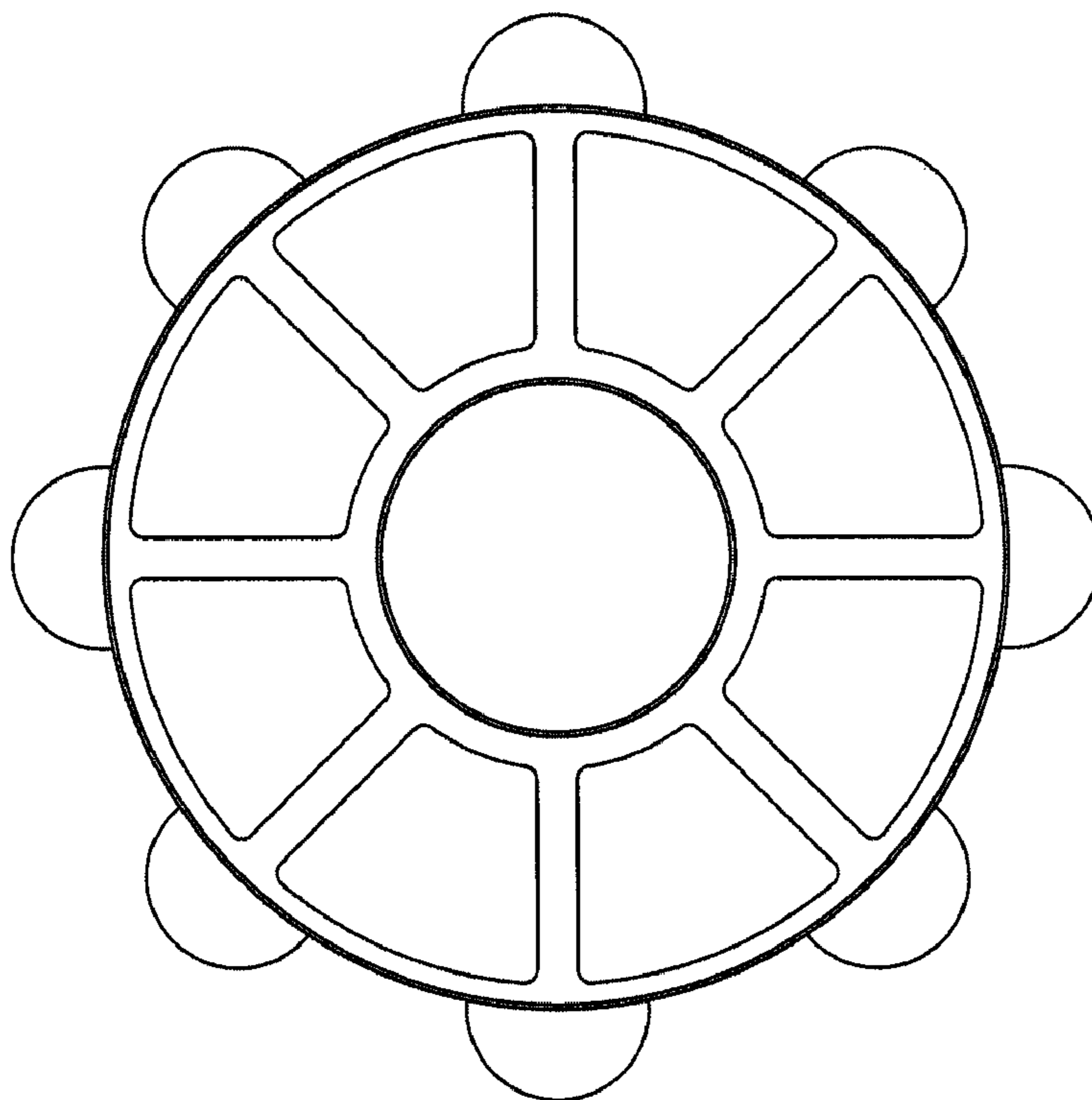


FIG. 2

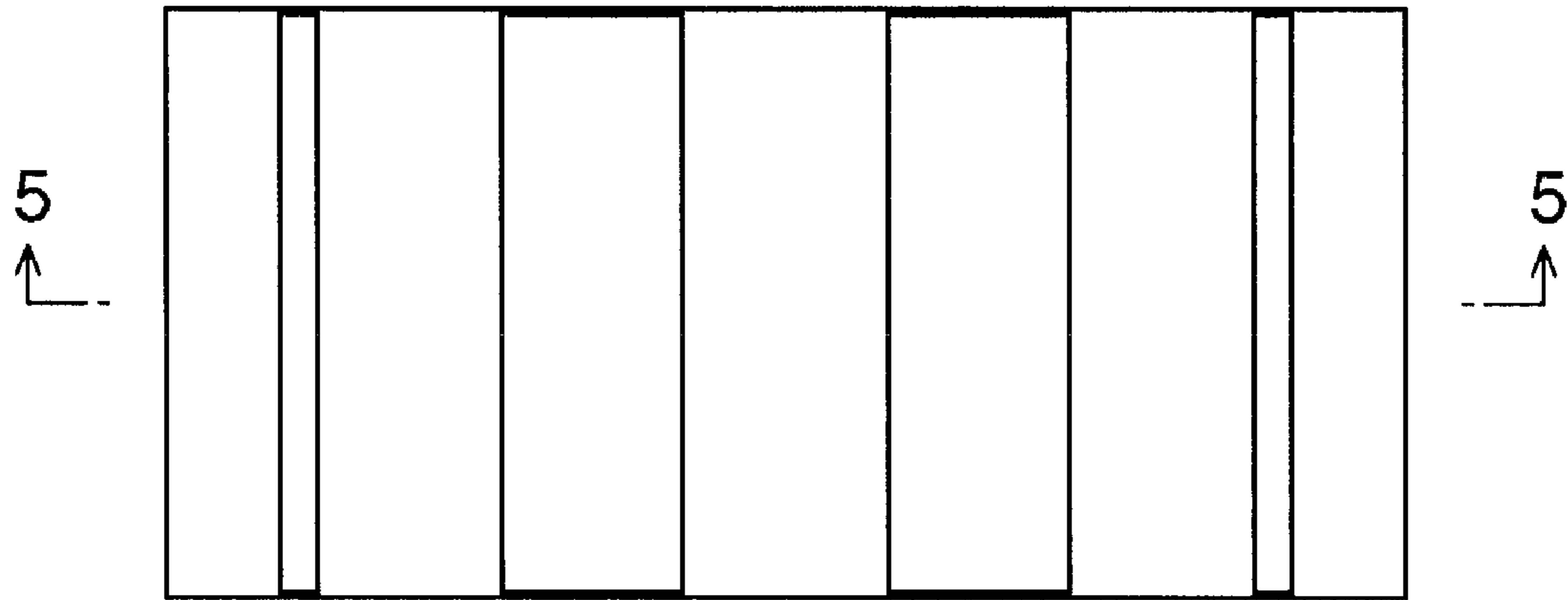


FIG.3

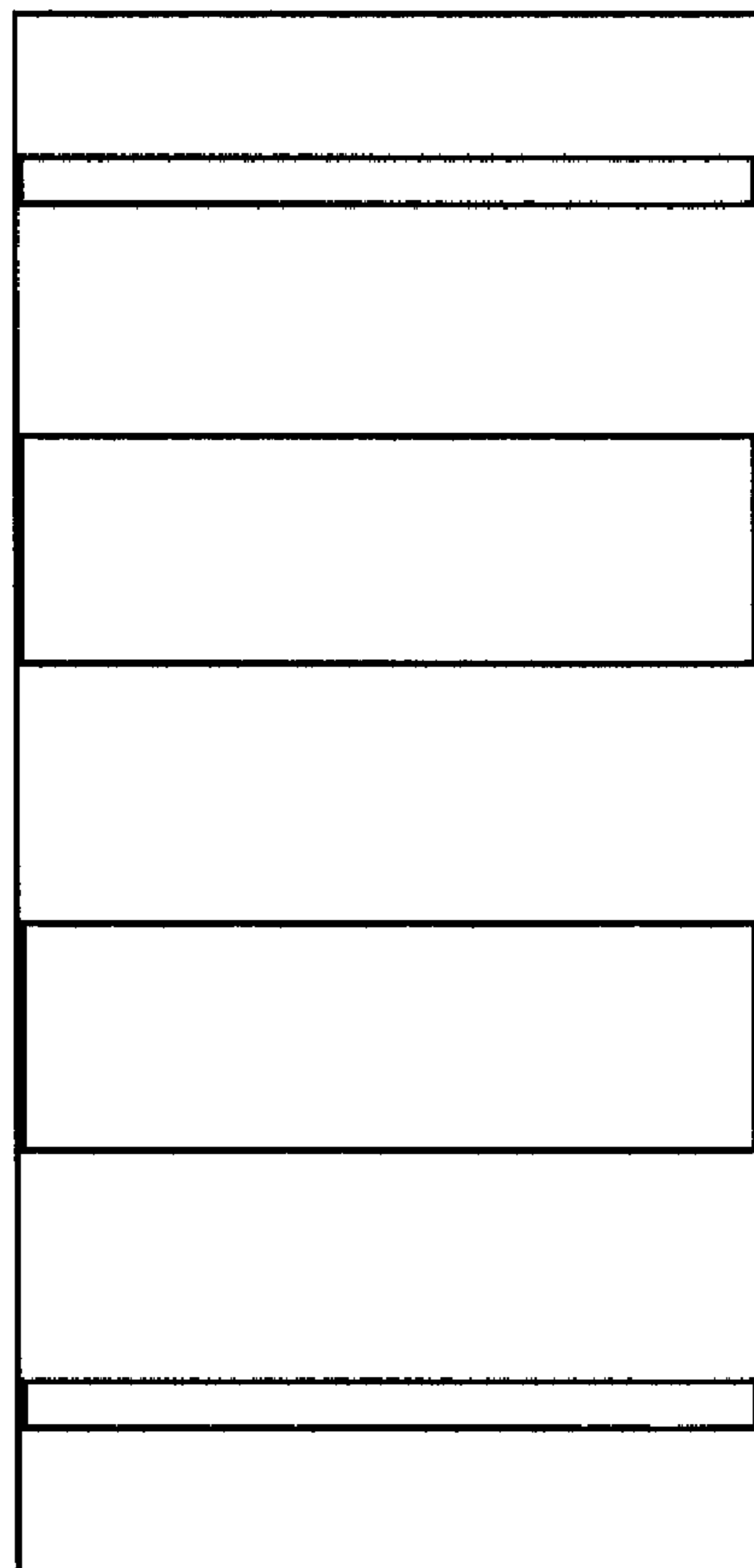


FIG.4

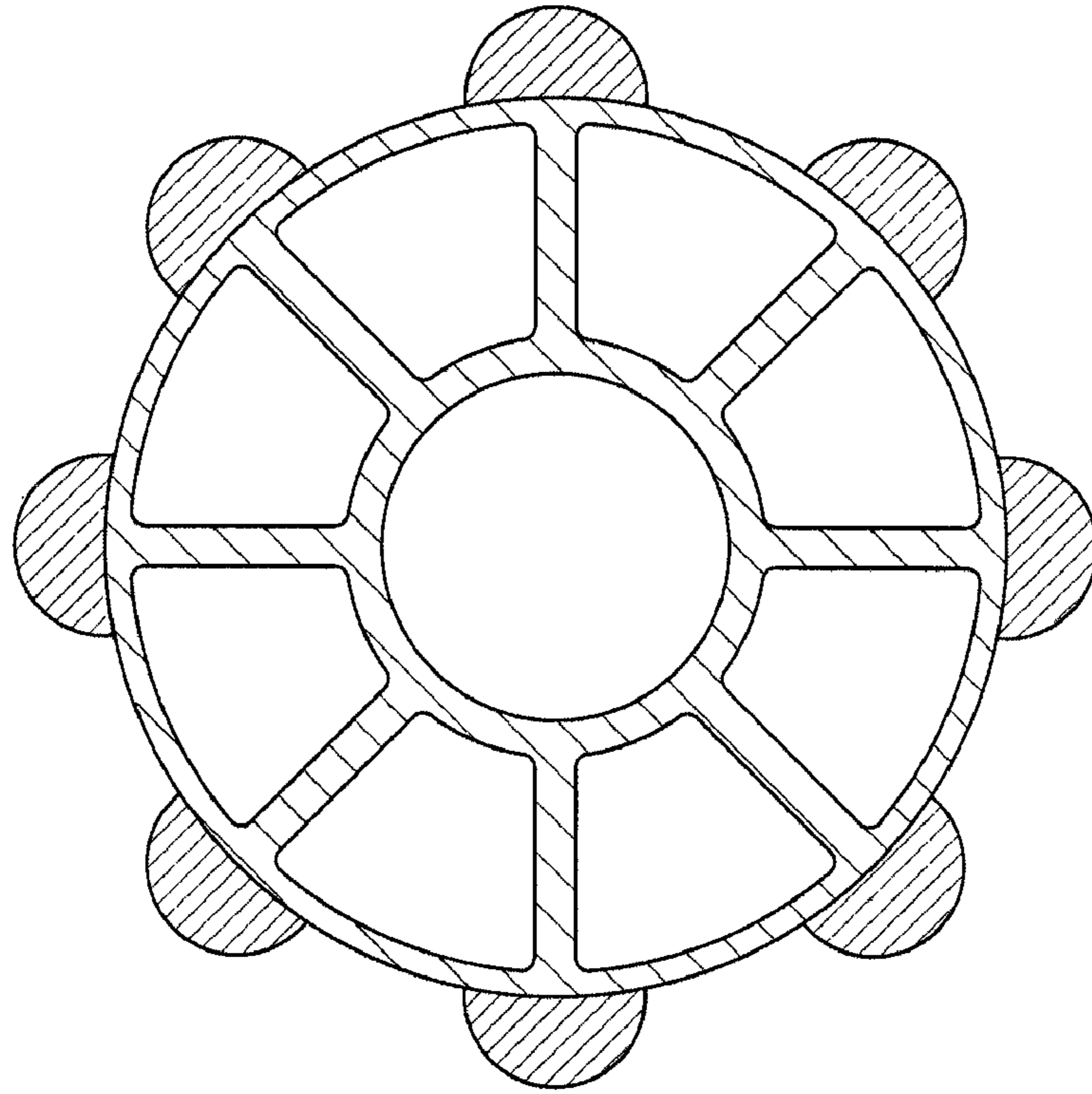


FIG. 5

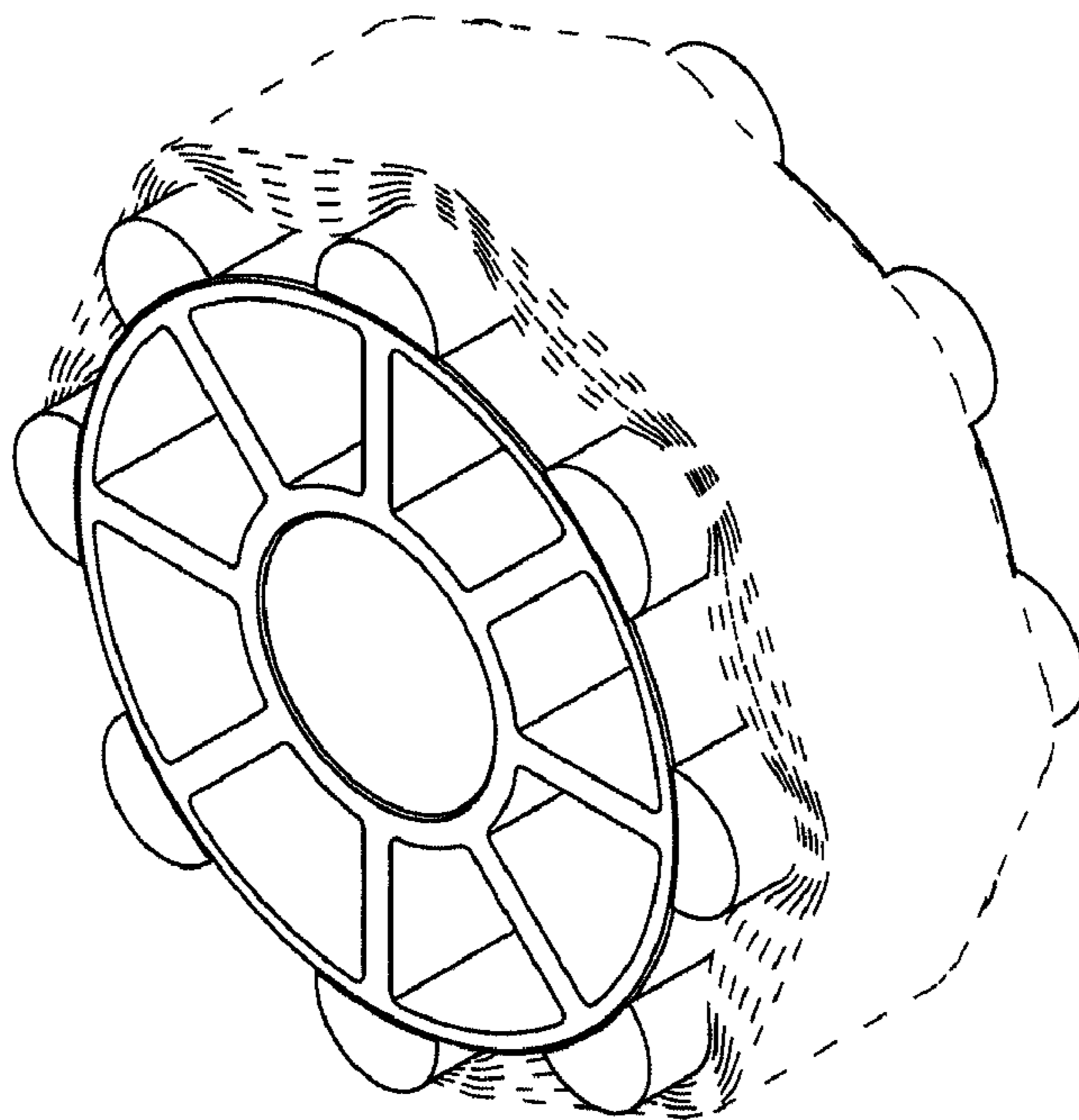


FIG. 6