

US00D668525S

(12) **United States Design Patent**
Huang

(10) **Patent No.:** **US D668,525 S**

(45) **Date of Patent:** **** Oct. 9, 2012**

(54) **UTILITY KNIFE**

(76) Inventor: **Yin Han Huang**, Taichung (TW)

(**) Term: **14 Years**

(21) Appl. No.: **29/412,669**

(22) Filed: **Feb. 7, 2012**

(51) **LOC (9) Cl.** **08-03**

(52) **U.S. Cl.** **D8/99**

(58) **Field of Classification Search** D8/95-99,
D8/105, 107; D22/118; 30/154-162, 329-331,
30/339

See application file for complete search history.

(56) **References Cited**

U.S. PATENT DOCUMENTS

4,897,922	A *	2/1990	Brooker	30/161
5,005,290	A *	4/1991	Gilbert	30/162
D336,029	S *	6/1993	Ragland et al.	D8/99
D349,227	S *	8/1994	Ragland et al.	D8/99
D352,882	S *	11/1994	Schmidt	D8/107
D371,288	S *	7/1996	Thompson	D8/99
D377,744	S *	2/1997	Hasegawa	D8/99
D378,982	S *	4/1997	Thompson	D8/99
5,689,890	A *	11/1997	Glesser	30/340
5,813,121	A *	9/1998	Gringer	30/162
D399,621	S *	10/1998	Henke	D32/49
D413,783	S *	9/1999	Huang	D8/99
5,983,506	A *	11/1999	Glesser	30/340
D429,987	S *	8/2000	Hung	D8/105
D442,054	S *	5/2001	Okada et al.	D8/99
D464,246	S *	10/2002	Sloan	D8/99
D473,917	S *	4/2003	Carter, III	D22/118
D478,493	S *	8/2003	Martone et al.	D8/99

6,796,033	B2 *	9/2004	Owoc	30/162
6,832,438	B1 *	12/2004	Gringer et al.	30/162
7,055,407	B2 *	6/2006	Gringer et al.	76/104.1
7,086,157	B2 *	8/2006	Vallotton	30/159
7,325,313	B2 *	2/2008	Gringer et al.	30/162
7,346,988	B2 *	3/2008	Gringer et al.	30/151
D637,883	S *	5/2011	Yu Chen	D8/98
2003/0150117	A1 *	8/2003	Owoc	30/162
2007/0017100	A1 *	1/2007	Gringer et al.	30/162

OTHER PUBLICATIONS

Hyde Heavy Duty Fixed Blade Utility Knife. Downloaded at <http://www.hydetools.com/catalog/tool/heavy-duty-fixed-blade-utility-knife> on Jun. 9, 2012.*

* cited by examiner

Primary Examiner — Philip S Hyder

Assistant Examiner — Roselynn Cody

(57) **CLAIM**

The ornamental design for a utility knife, as shown and described.

DESCRIPTION

FIG. 1 is a perspective view of a utility knife showing my new design;

FIG. 2 is a front view thereof;

FIG. 3 is a rear view thereof;

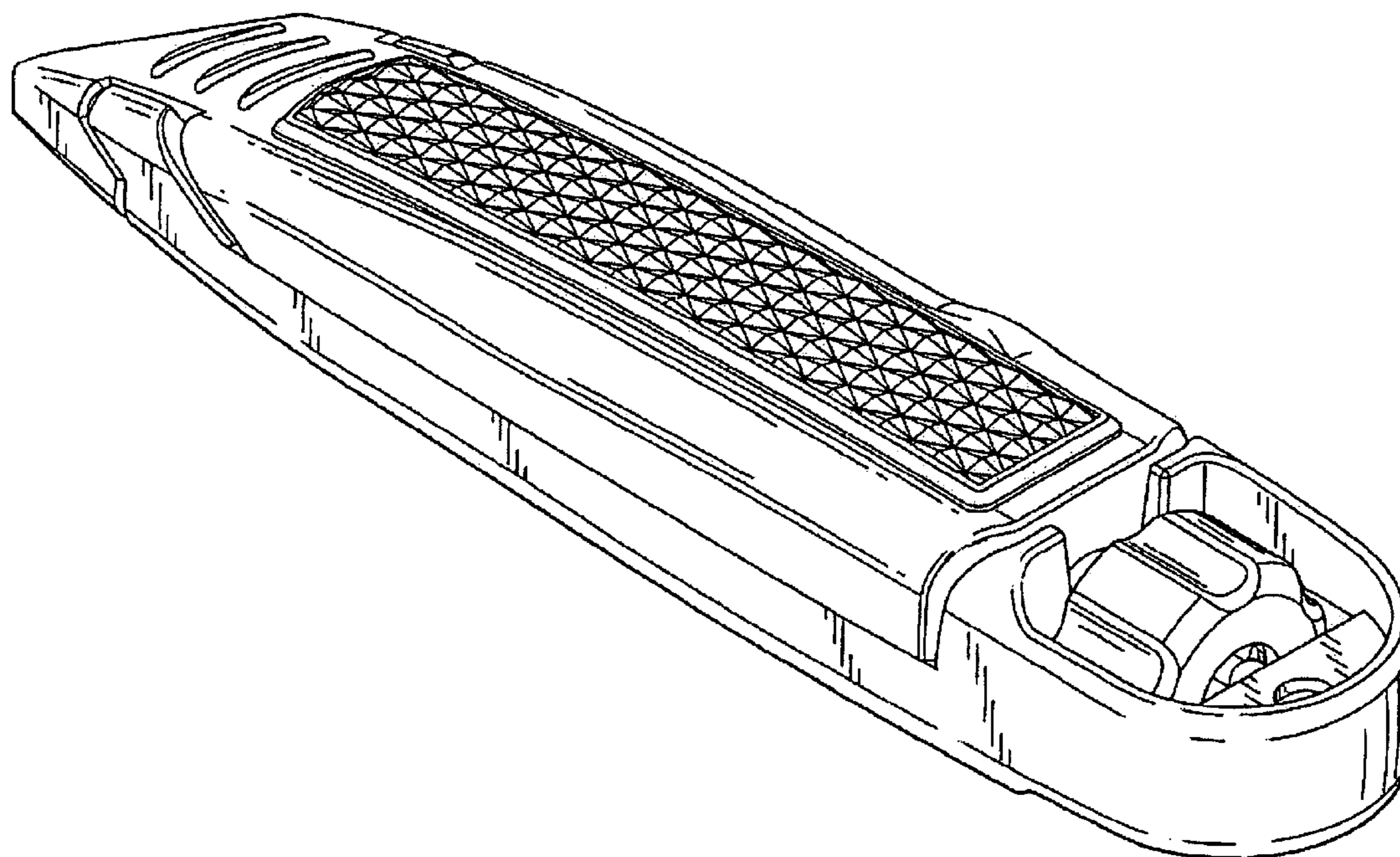
FIG. 4 is a left side view thereof;

FIG. 5 is a right side view thereof;

FIG. 6 is a top plan view thereof; and,

FIG. 7 is a bottom plan view thereof.

1 Claim, 6 Drawing Sheets



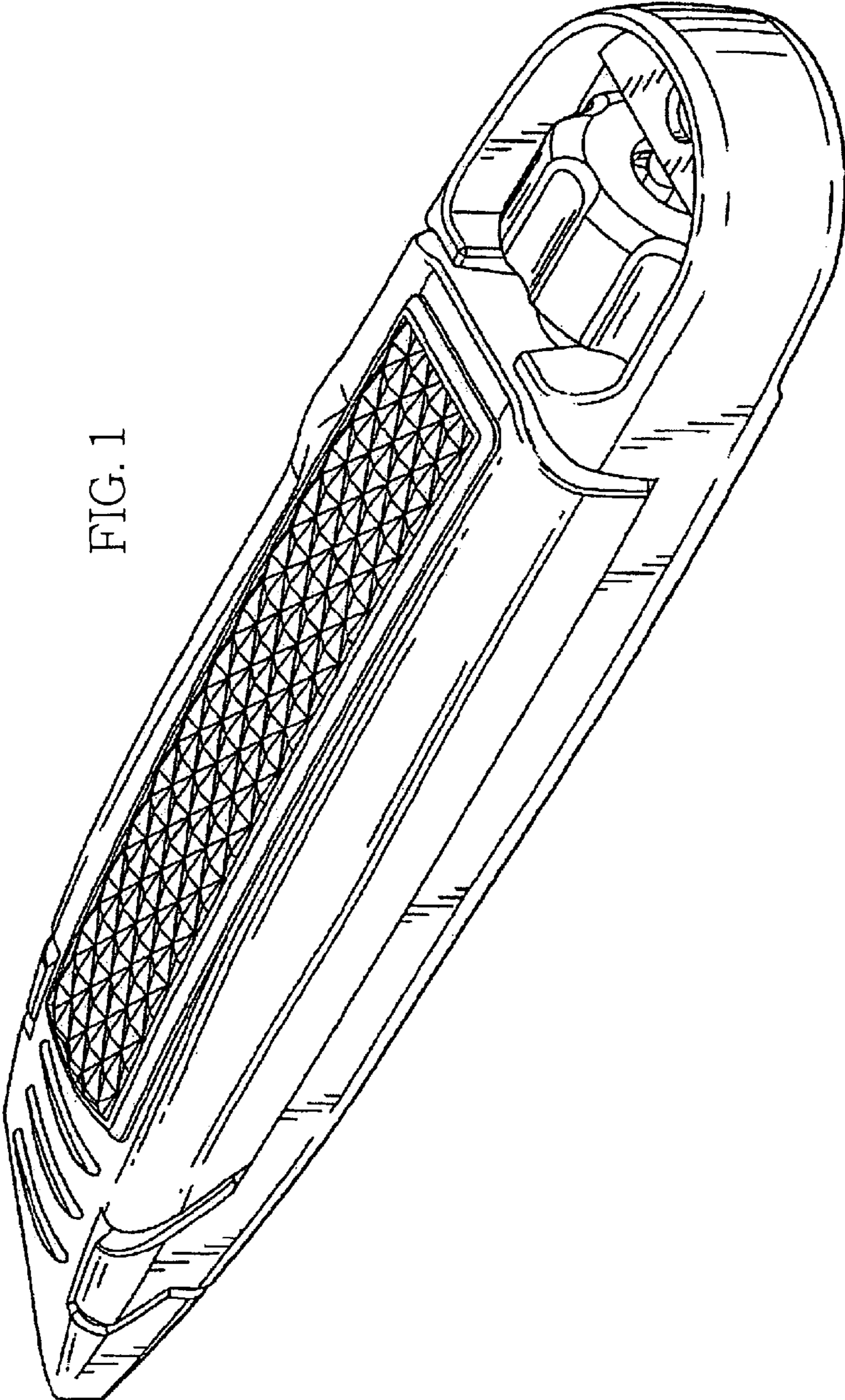


FIG. 1

FIG. 2

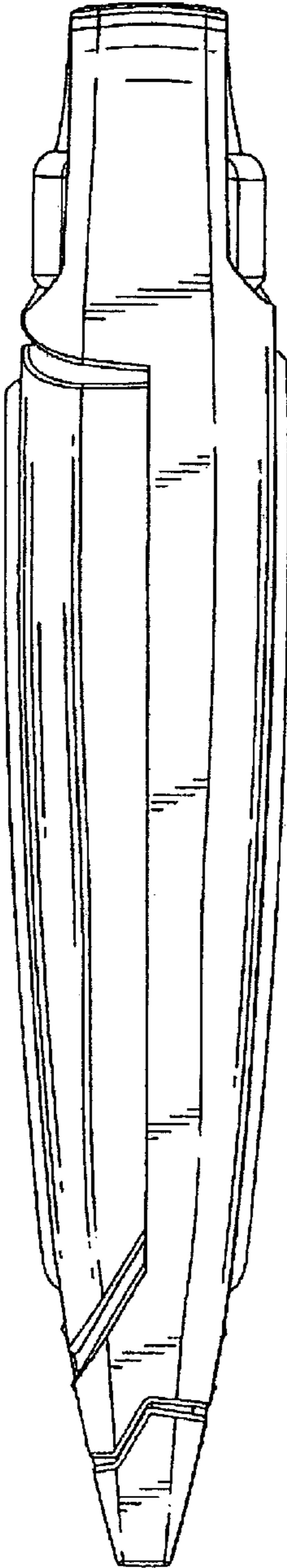


FIG. 3

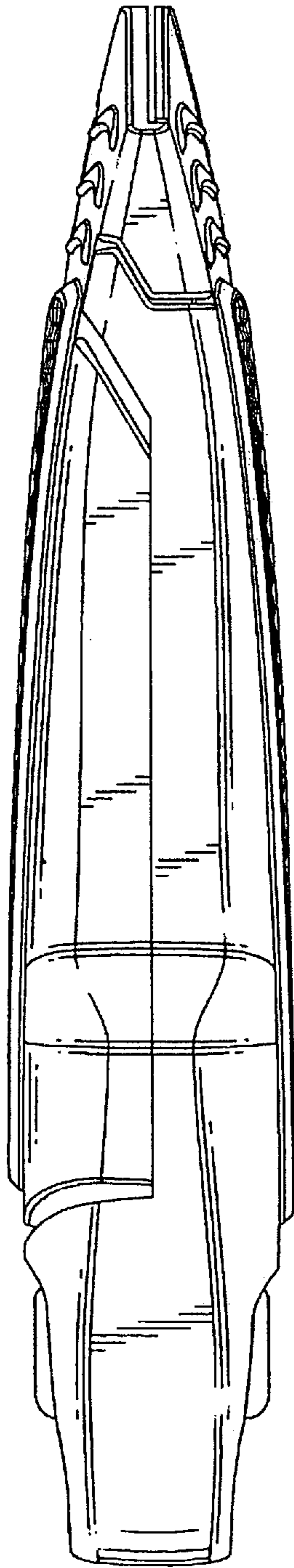


FIG. 5

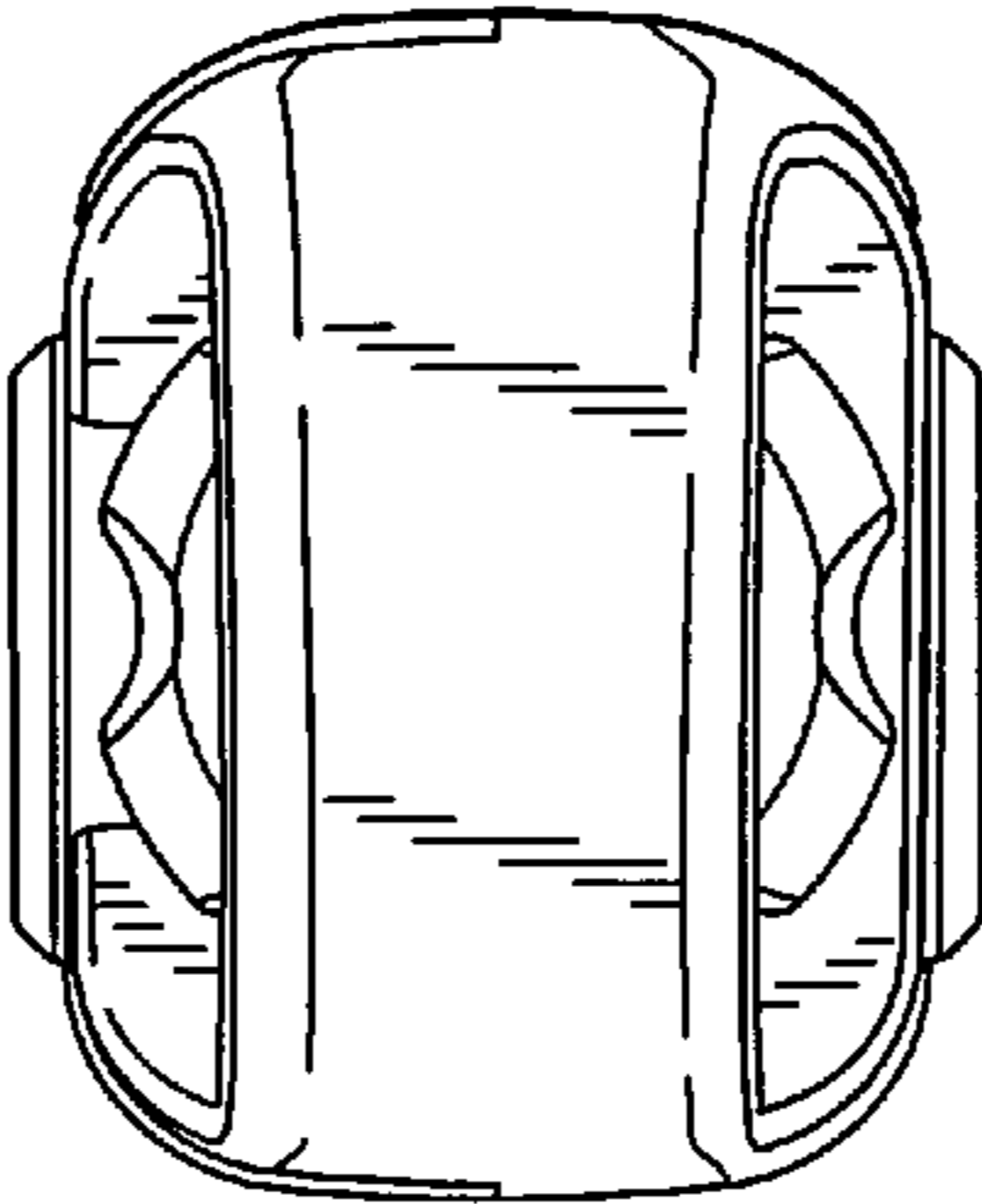


FIG. 4

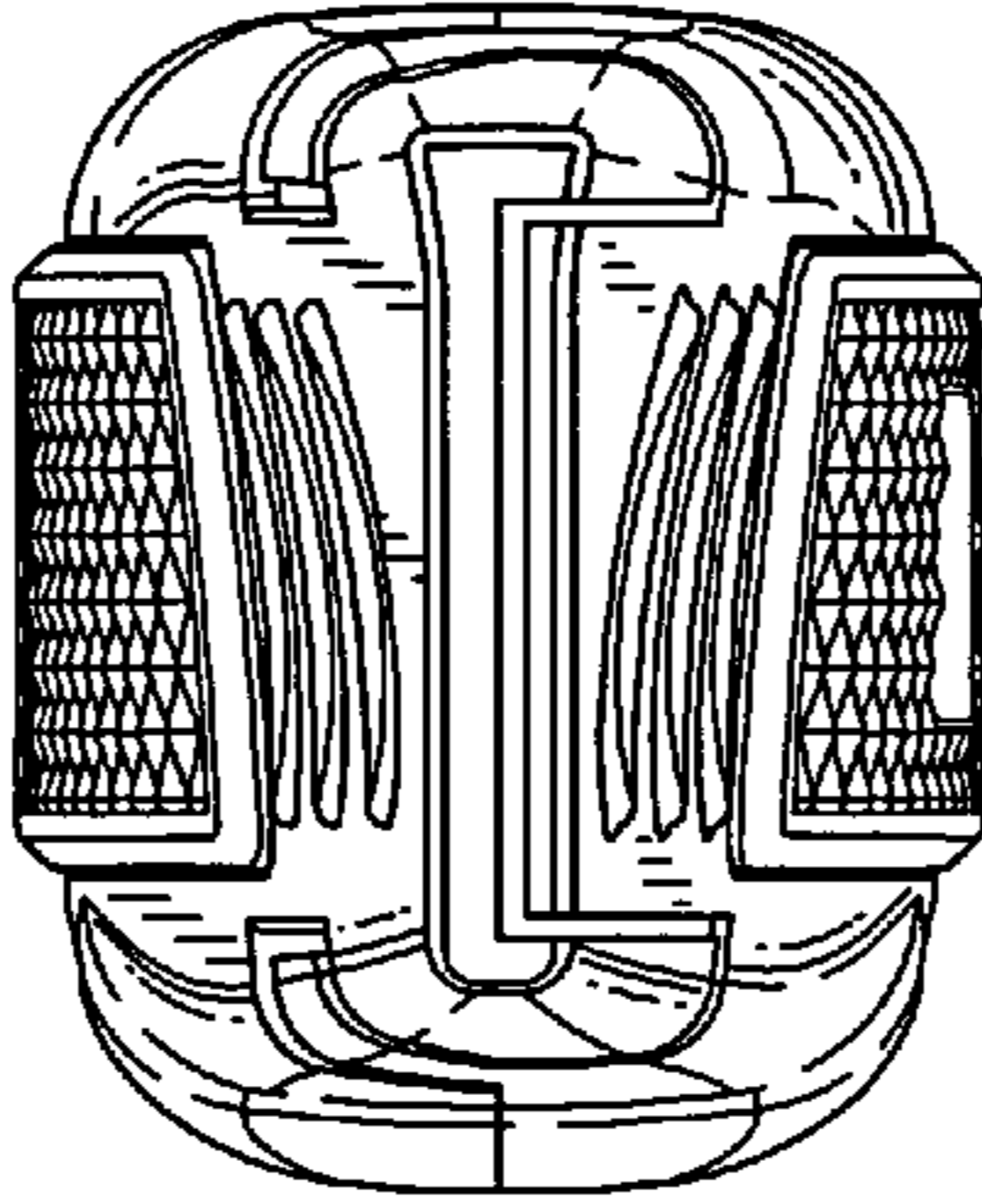


FIG. 6

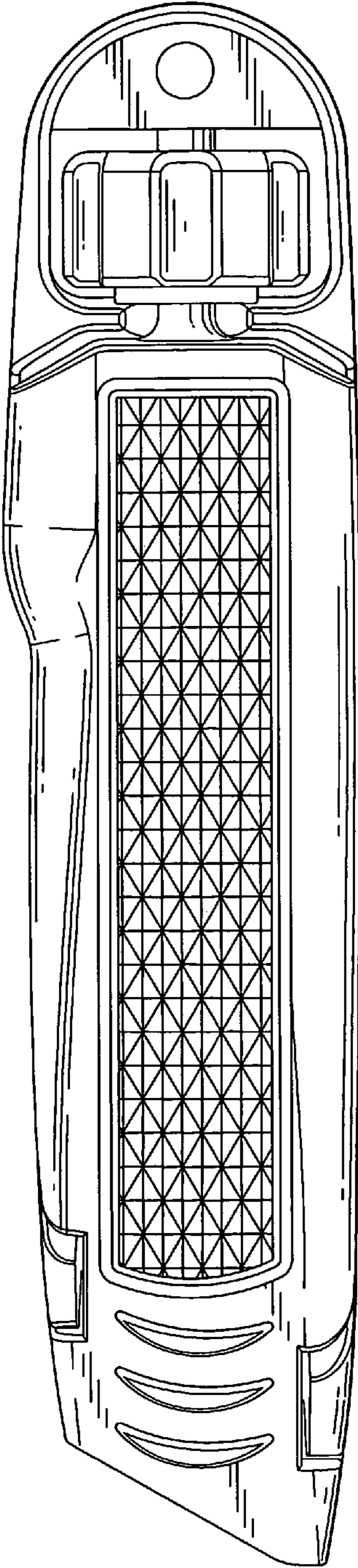


FIG. 7

