



US00D668524S

(12) **United States Design Patent**  
**Yang**

(10) **Patent No.:** **US D668,524 S**  
(45) **Date of Patent:** **\*\* Oct. 9, 2012**

(54) **SHARPENER**

(76) Inventor: **Ching-Sen Yang**, Taichung (TW)

(\*\*) Term: **14 Years**

(21) Appl. No.: **29/411,569**

(22) Filed: **Jan. 24, 2012**

(51) **LOC (9) Cl.** ..... **08-05**

(52) **U.S. Cl.** ..... **D8/93**

(58) **Field of Classification Search** ..... D8/63,  
D8/90-94; 76/82, 84, 86-89; 451/552, 555-558  
See application file for complete search history.

D525,509 S \* 7/2006 Weschenfelder ..... D8/93  
D624,799 S \* 10/2010 De Bretton Gordon ..... D8/93  
D640,115 S \* 6/2011 Huff et al. .... D8/93

\* cited by examiner

*Primary Examiner* — Philip S Hyder

*Assistant Examiner* — Roselynn Cody

(74) *Attorney, Agent, or Firm* — Pro-Techtor Int'l Services

(57) **CLAIM**

The ornamental design for a sharpener, as shown and described.

(56) **References Cited**

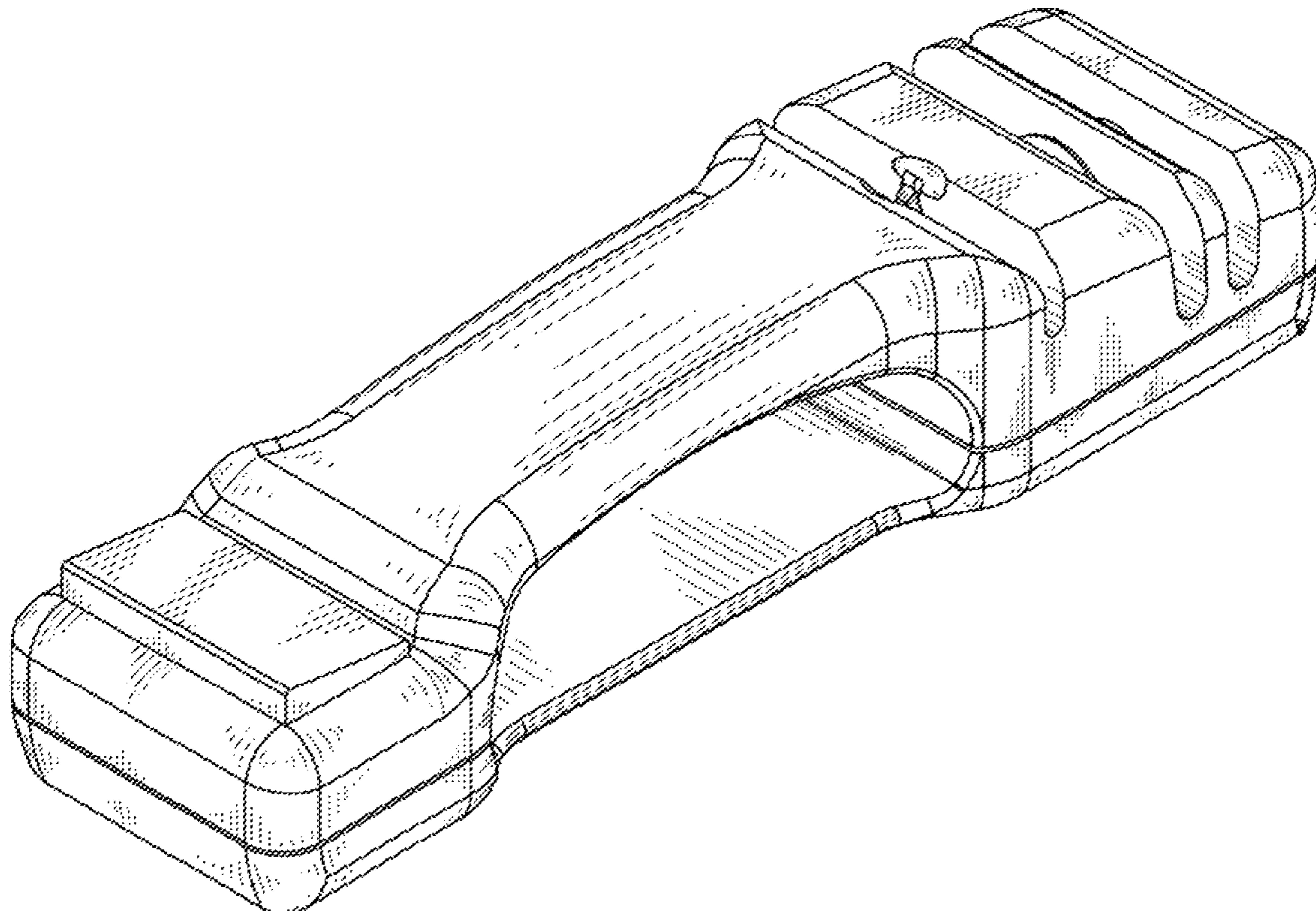
U.S. PATENT DOCUMENTS

|              |         |                     |       |
|--------------|---------|---------------------|-------|
| D116,704 S * | 9/1939  | Conway et al. ....  | D8/93 |
| D142,880 S * | 11/1945 | Loucony .....       | D8/93 |
| D162,768 S * | 4/1951  | Anheuser .....      | D8/93 |
| D241,504 S * | 9/1976  | Krusche et al. .... | D8/93 |
| D269,940 S * | 8/1983  | Hirosawa .....      | D8/93 |
| D284,736 S * | 7/1986  | Kawai et al. ....   | D8/93 |
| D309,414 S * | 7/1990  | Shimizu .....       | D8/93 |
| D309,415 S * | 7/1990  | Shimizu .....       | D8/93 |
| D323,450 S * | 1/1992  | Shimizu .....       | D8/93 |
| D388,304 S * | 12/1997 | Friel .....         | D8/93 |
| D409,891 S * | 5/1999  | Friel et al. ....   | D8/93 |
| D470,382 S * | 2/2003  | Kurz .....          | D8/93 |
| D517,891 S * | 3/2006  | Tsuchida .....      | D8/91 |

**DESCRIPTION**

FIG. 1 is a front-right-top perspective view of a sharpener, showing my new design;  
FIG. 2. is a front elevational view thereof;  
FIG. 3. is a rear elevational view thereof;  
FIG. 4. is a left side elevational view thereof;  
FIG. 5. is a right side elevational view thereof;  
FIG. 6. is a top plan view thereof; and,  
FIG. 7. is a bottom plan view thereof.  
The broken lines in FIG. 7 illustrate features of the sharpener that form no part of the claim.

**1 Claim, 7 Drawing Sheets**



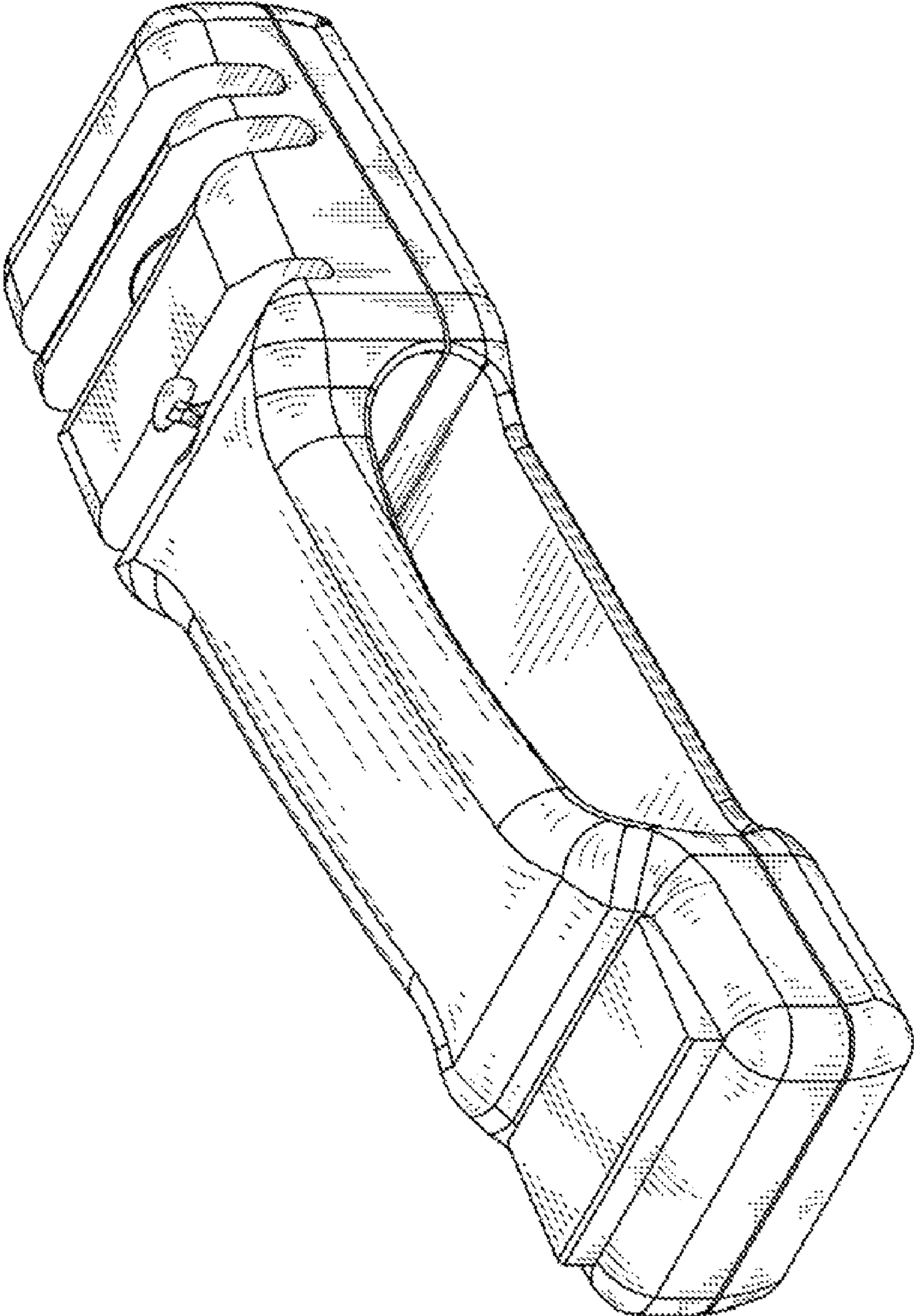


FIG. 1

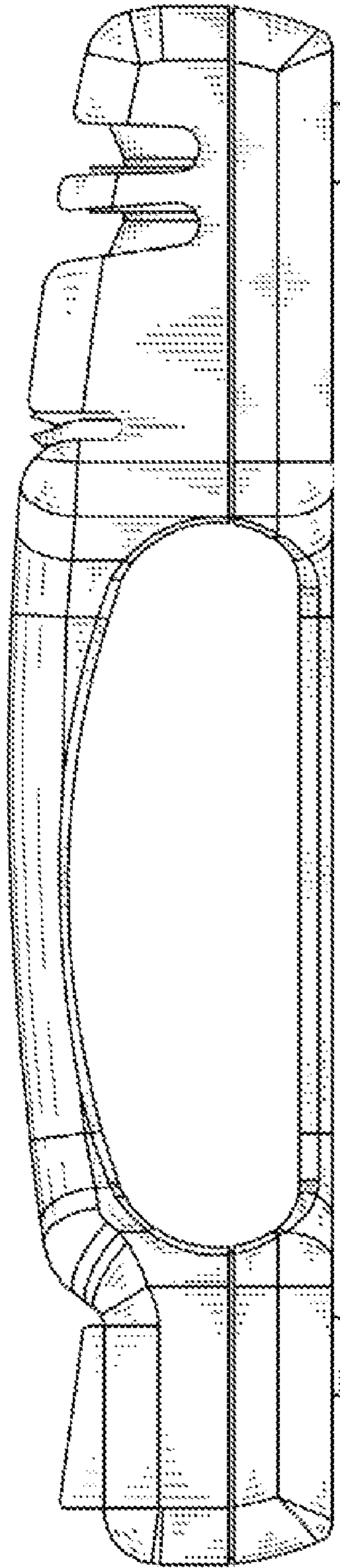


FIG. 2



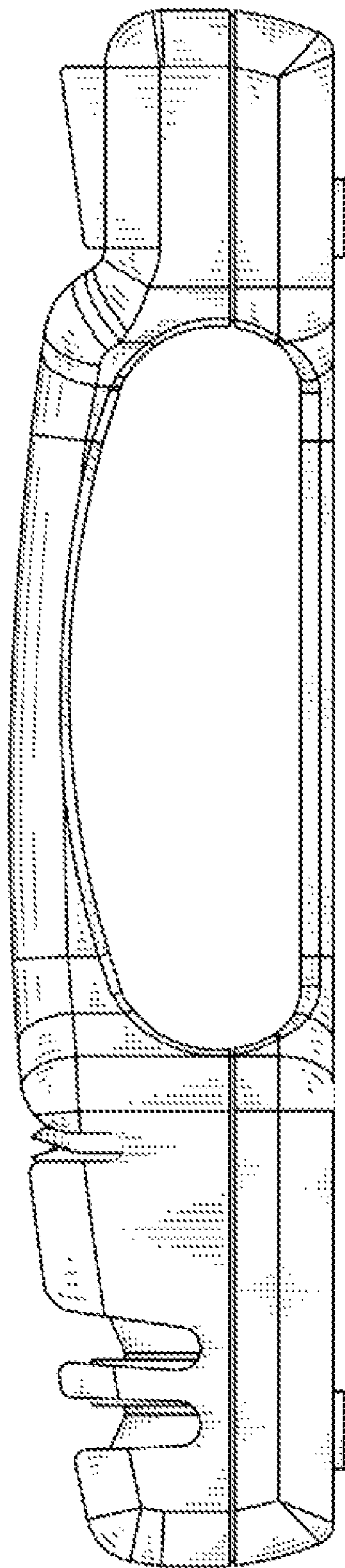


FIG. 3

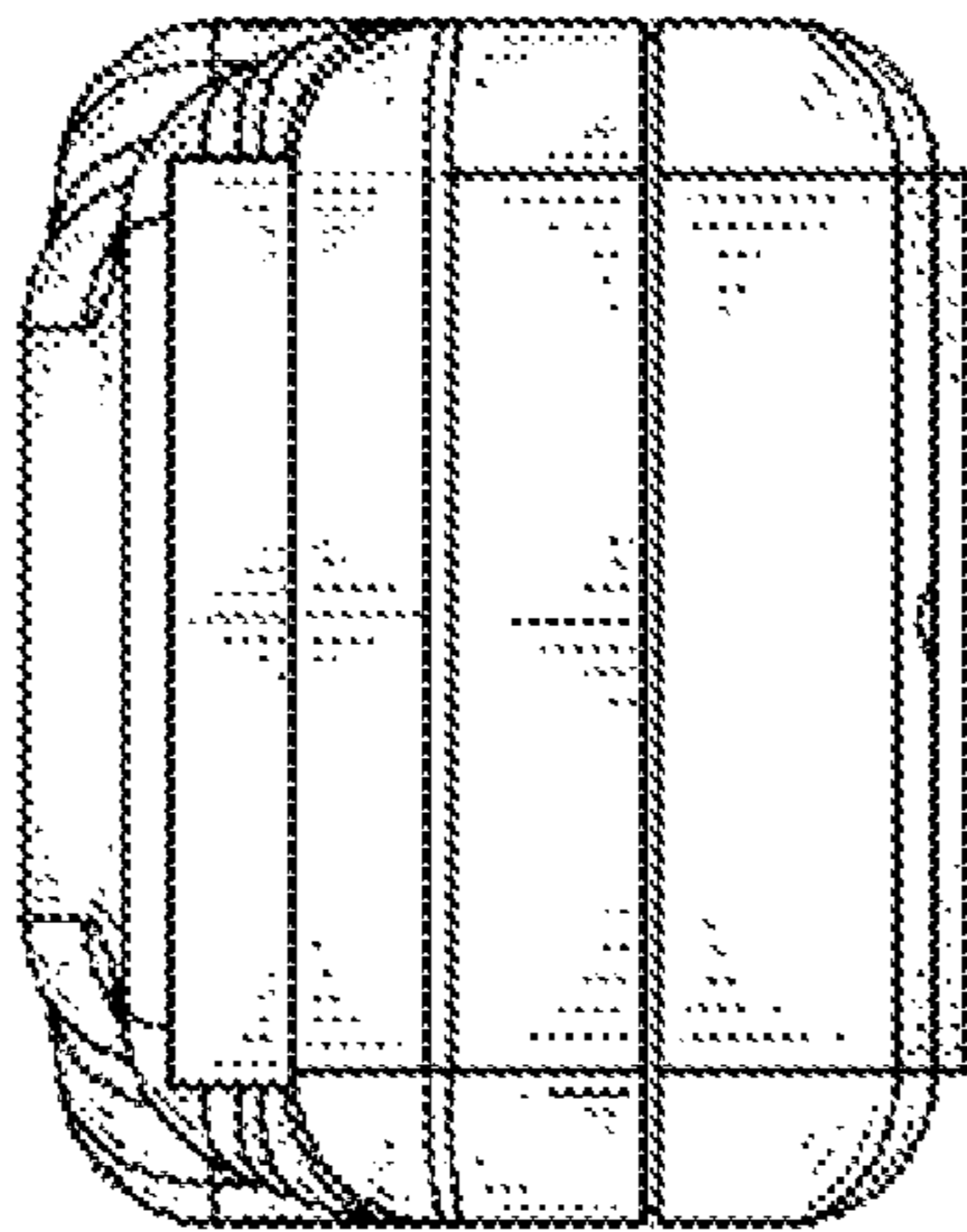


FIG. 4

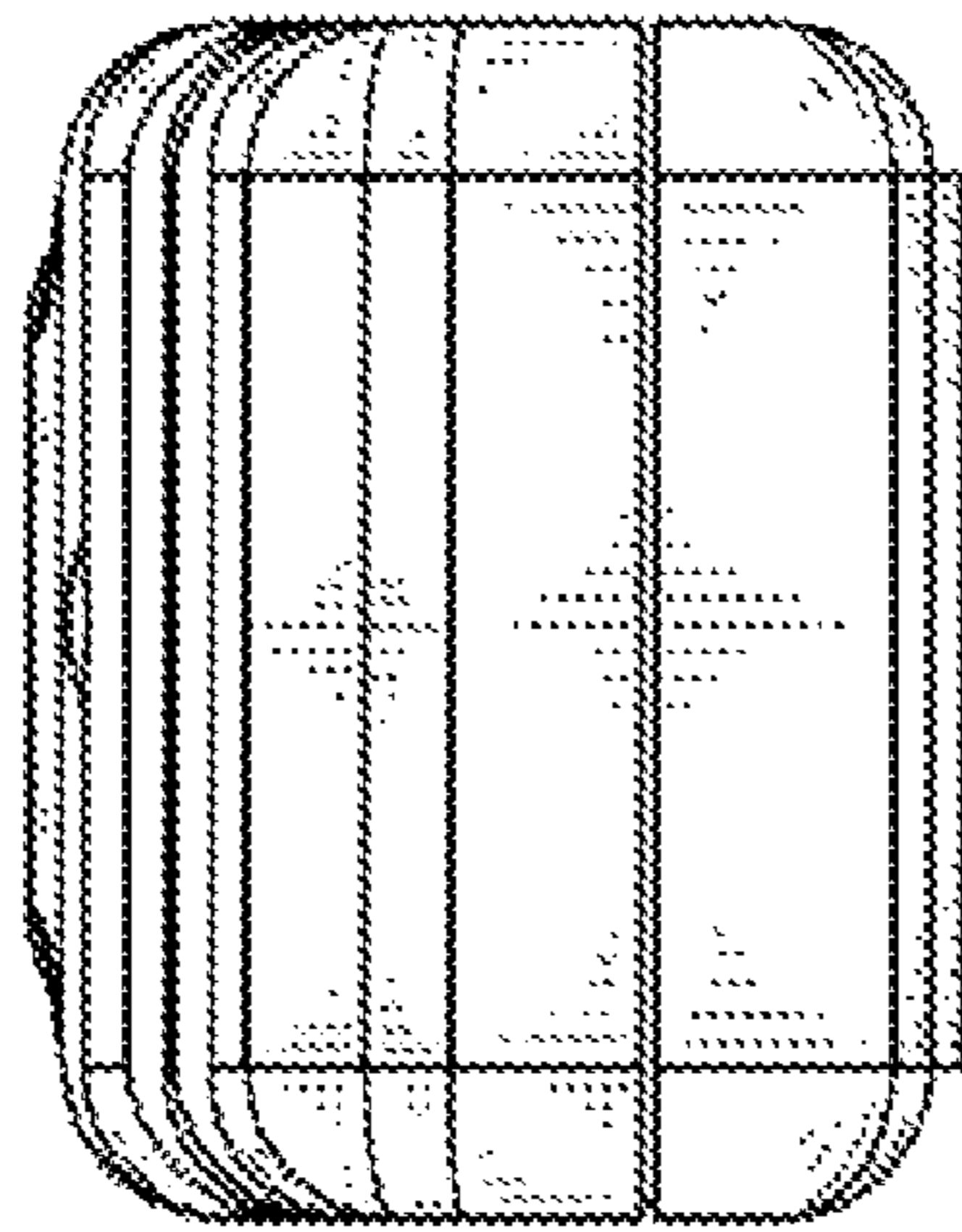


FIG. 5

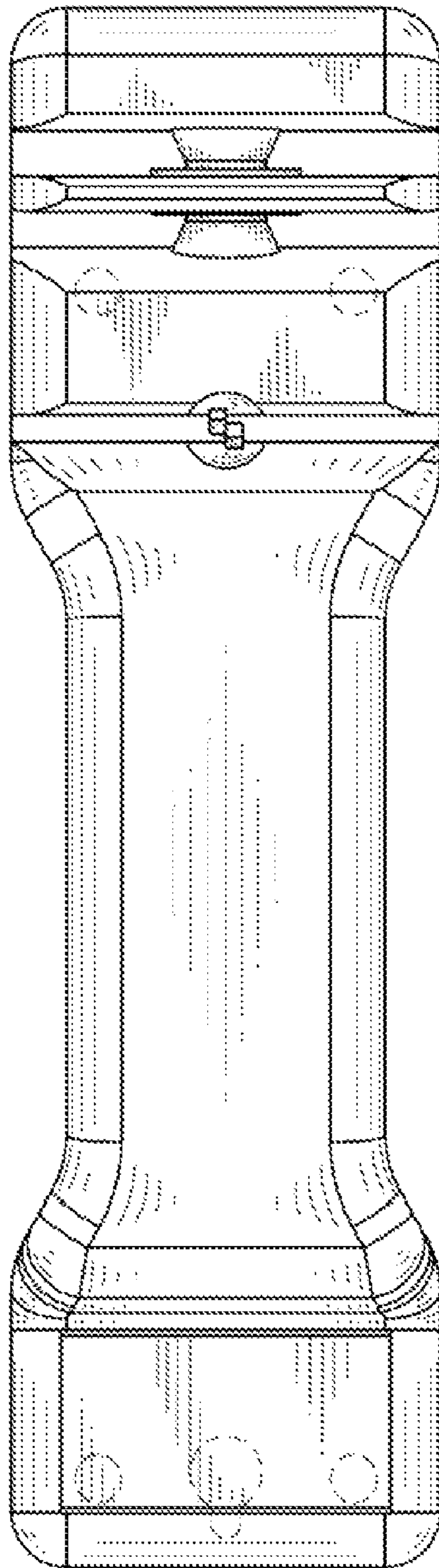


FIG. 6

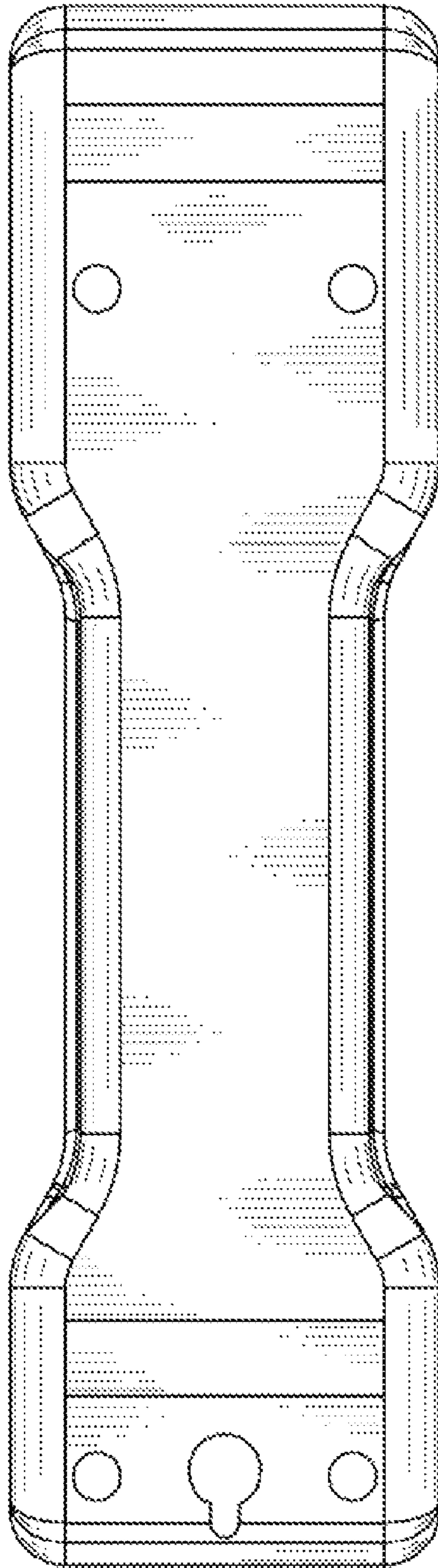


FIG. 7