



US00D668522S

(12) **United States Design Patent**
Henderson

(10) **Patent No.:** **US D668,522 S**

(45) **Date of Patent:** **** Oct. 9, 2012**

(54) **MULTI-PURPOSE CLAMP**

(76) Inventor: **Tim Henderson**, Hong Kong (CN)

(**) Term: **14 Years**

(21) Appl. No.: **29/374,740**

(22) Filed: **Sep. 29, 2011**

(51) **LOC (9) Cl.** **08-05**

(52) **U.S. Cl.** **D8/73**

(58) **Field of Classification Search** D8/71-74,
D8/394, 59; 248/62, 63, 72, 74.1, 689, 124.2;
81/487; 269/3, 4, 6, 143, 165, 240, 243,
269/246-249, 254 R, 147-149; 29/256,
29/257, 276; D15/140; 408/103, 104-109;
D6/400

See application file for complete search history.

(56) **References Cited**

U.S. PATENT DOCUMENTS

D267,625 S *	1/1983	Dark	D8/73
D278,877 S *	5/1985	Bozorth	D8/71
D332,562 S *	1/1993	Fremont et al.	D8/73
D334,590 S *	4/1993	Villano	D8/72
D337,934 S *	8/1993	Young	D8/73
D358,971 S *	6/1995	Glynn	D8/73
D393,998 S *	5/1998	Anderson	D8/73

D443,493 S *	6/2001	Skeem	D8/72
D544,771 S *	6/2007	Duffy	D8/59
D568,135 S *	5/2008	Pribyl et al.	D8/73
D568,708 S *	5/2008	Petruccelli	D8/73
D577,560 S *	9/2008	Franks, Jr.	D8/72
D583,640 S *	12/2008	Gilham	D8/73

* cited by examiner

Primary Examiner — David Muller

(74) *Attorney, Agent, or Firm* — William A. Jeckle

(57) **CLAIM**

I claim the ornamental design for multi-purpose clamp, as shown and described.

DESCRIPTION

FIG. 1 is an isometric top, side and back view of my multi-purpose clamp showing my design.

FIG. 2 is an orthographic left side view thereof.

FIG. 3 is an orthographic right side view thereof.

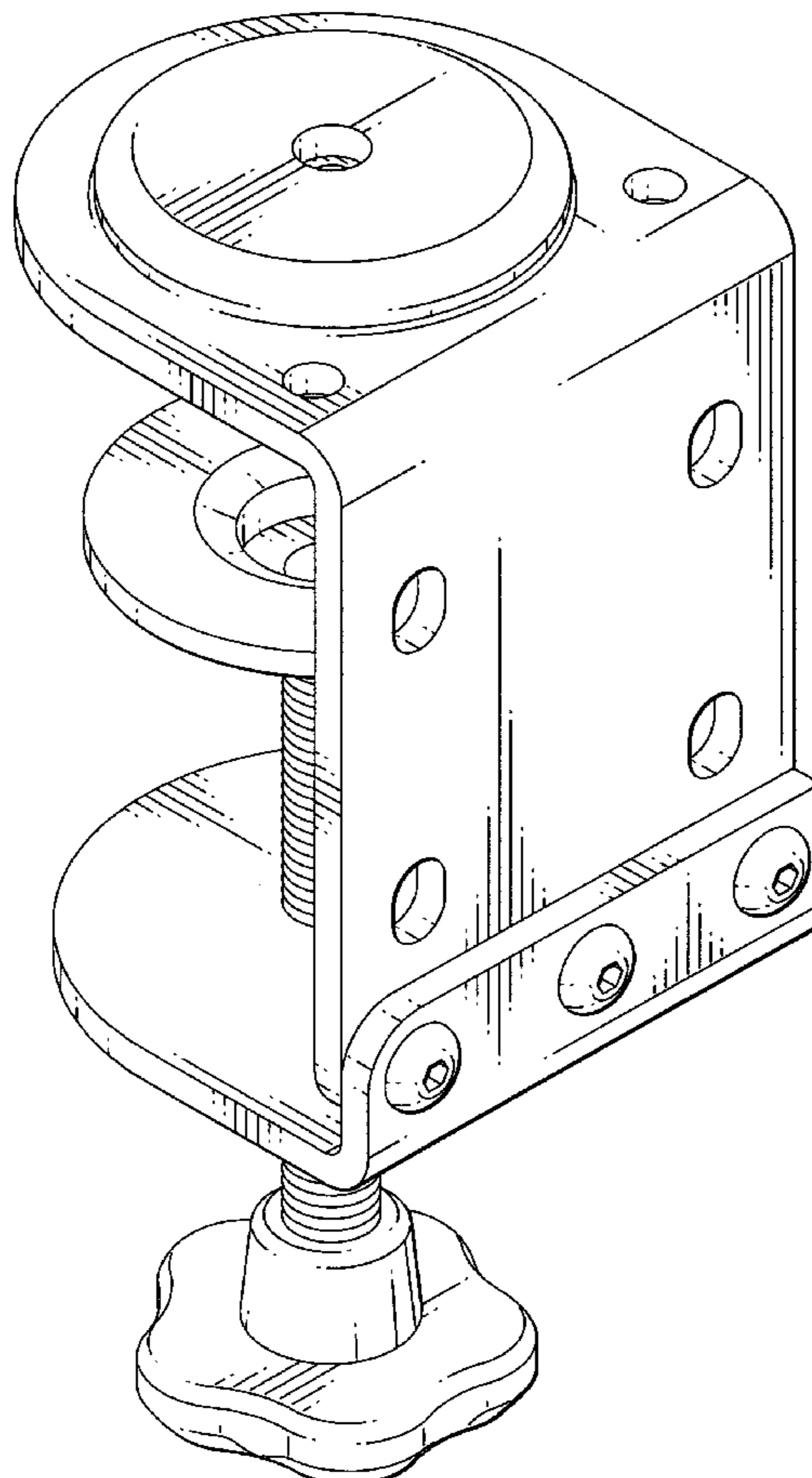
FIG. 4 is an orthographic back view thereof.

FIG. 5 is an orthographic front view thereof.

FIG. 6 is an orthographic top, downward looking view thereof; and,

FIG. 7 is an orthographic bottom, upward looking view thereof.

1 Claim, 6 Drawing Sheets



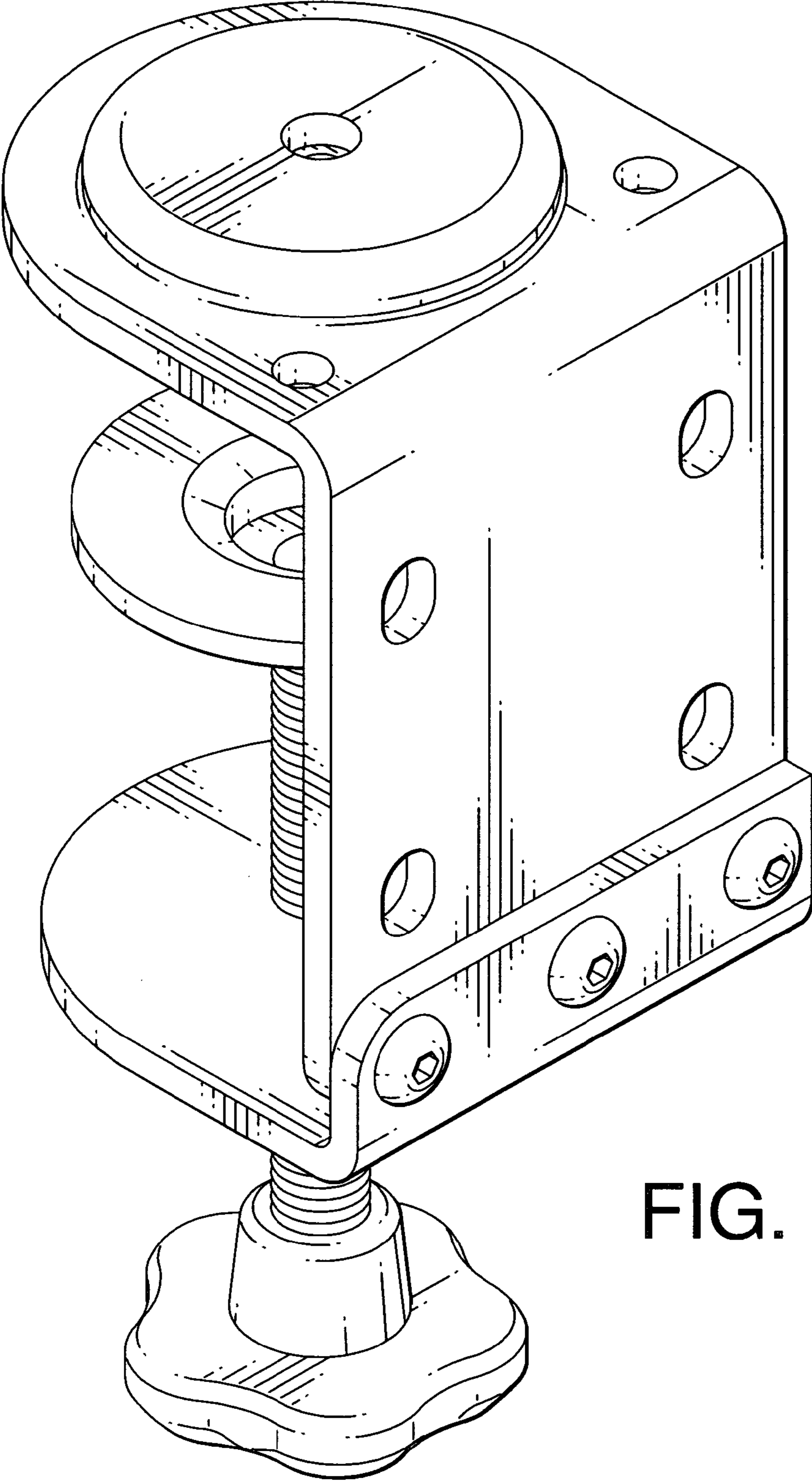


FIG. 1

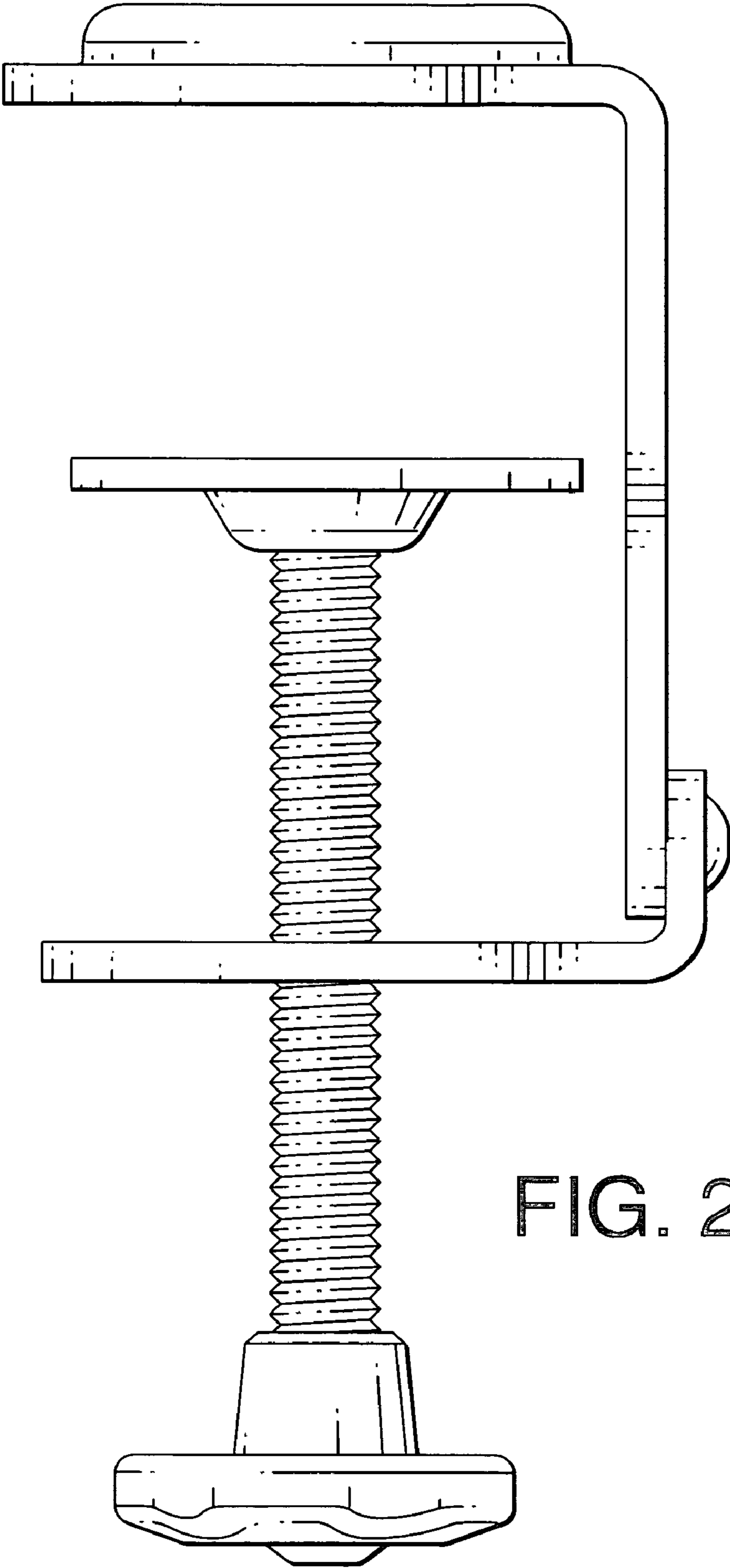


FIG. 2

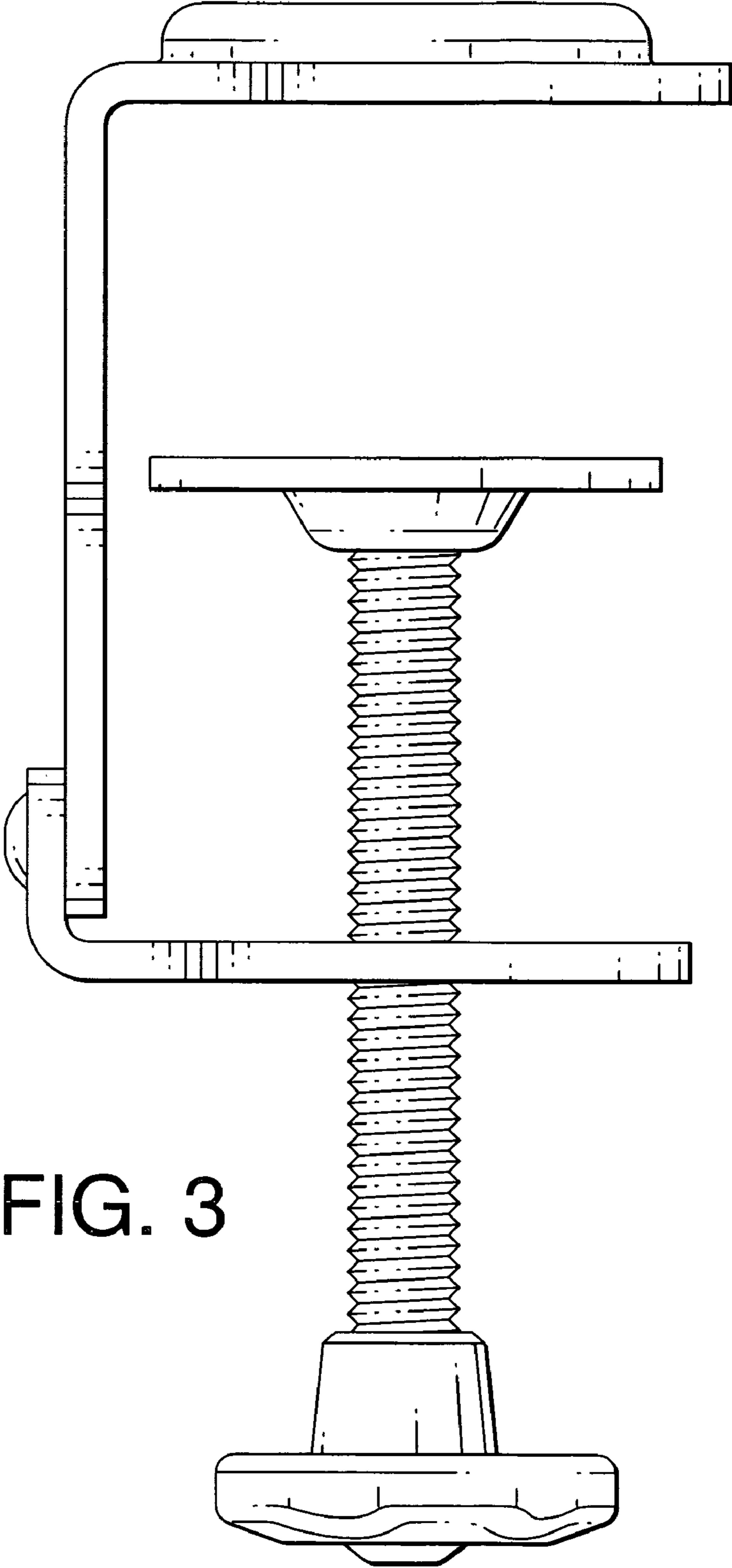


FIG. 3

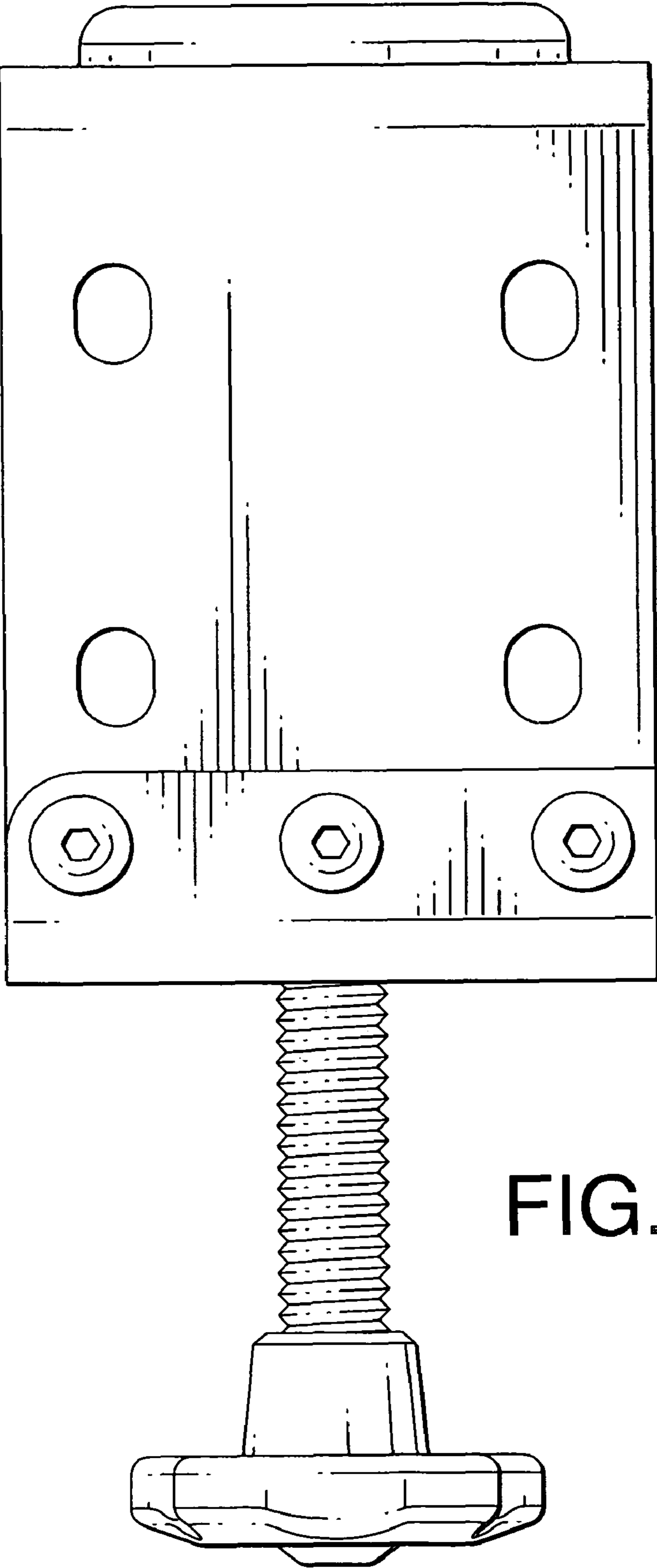


FIG. 4

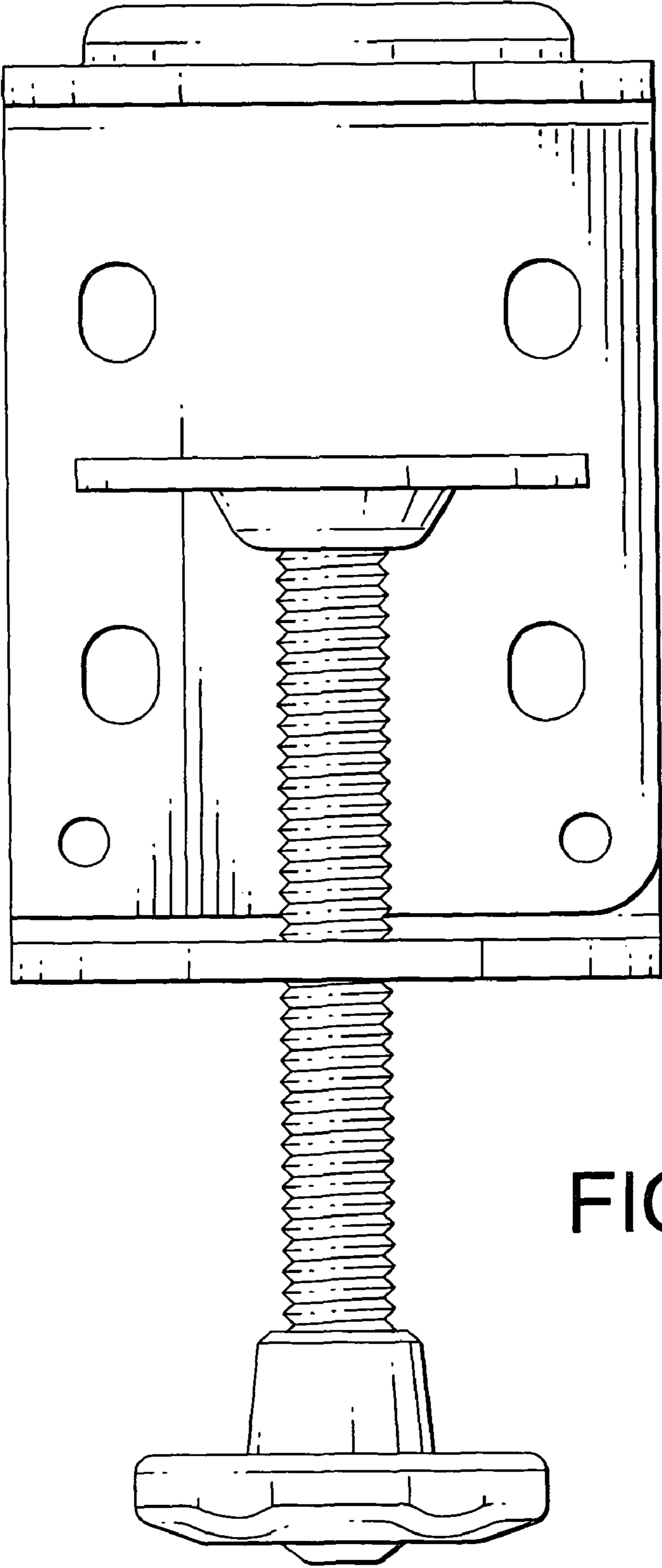


FIG. 5

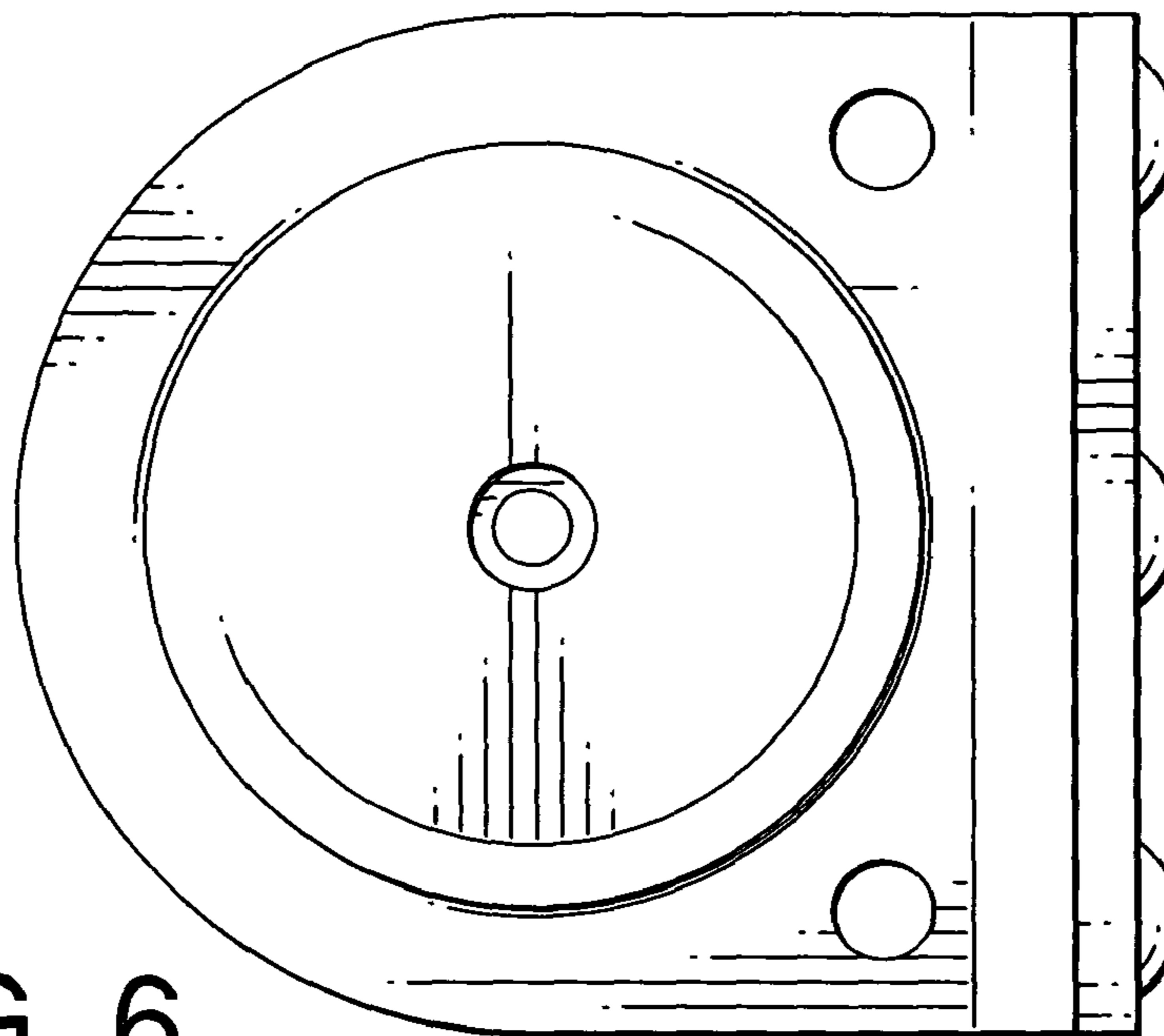


FIG. 6

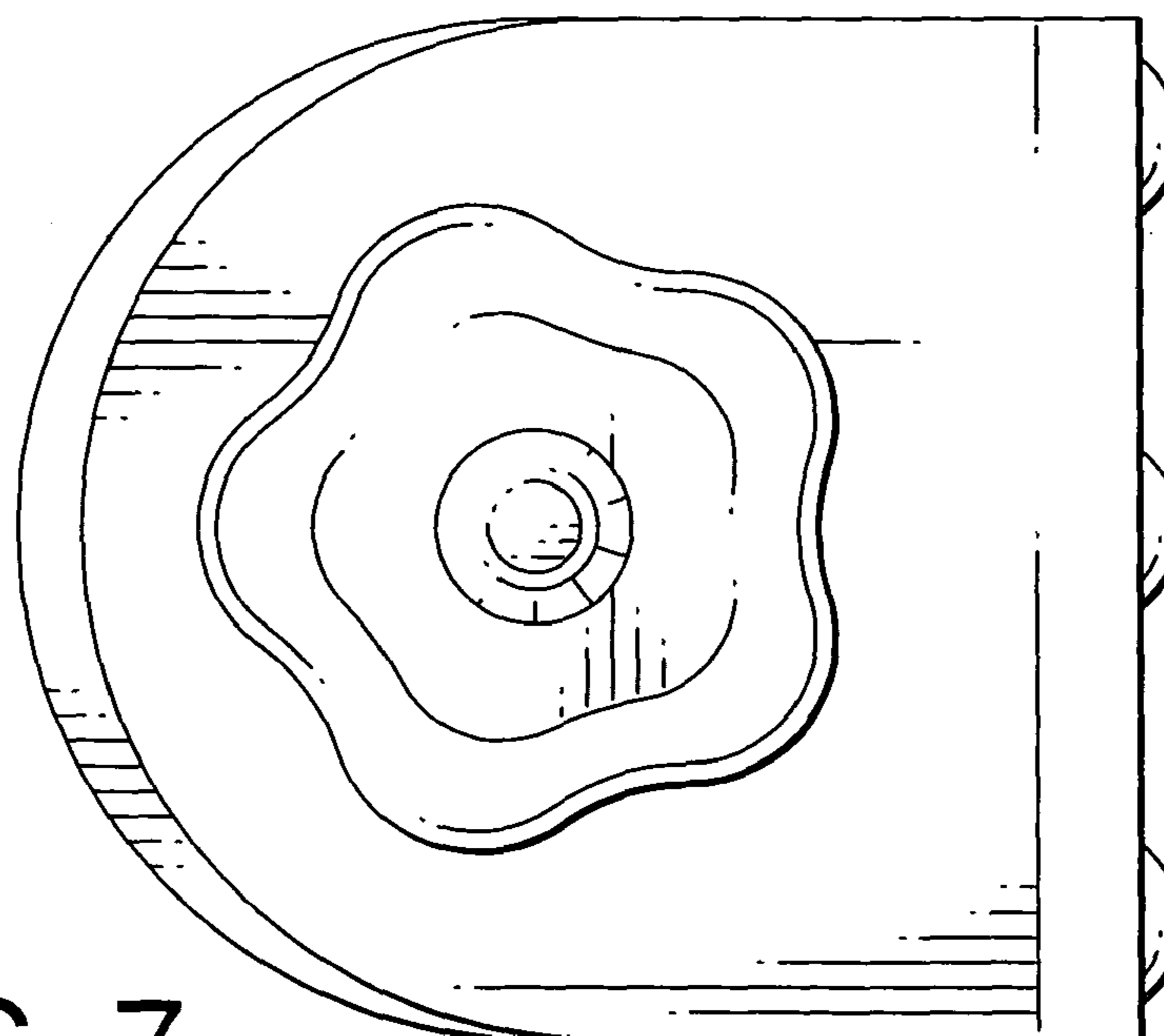


FIG. 7