



US00D668518S

(12) **United States Design Patent**
Landberg

(10) **Patent No.:** **US D668,518 S**

(45) **Date of Patent:** **** Oct. 9, 2012**

(54) **TRIMMER**

(75) Inventor: **Gustav Landberg**, Stockholm (SE)

(73) Assignee: **Husqvarna AB**, Huskvarna (SE)

(**) Term: **14 Years**

(21) Appl. No.: **29/407,403**

(22) Filed: **Nov. 29, 2011**

(30) **Foreign Application Priority Data**

May 31, 2011 (EM) 001870882

(51) **LOC (9) Cl.** **08-01**

(52) **U.S. Cl.** **D8/8**

(58) **Field of Classification Search** D8/7, 8,
D8/9; 30/208, 276, 228, 382, 383, 216; 56/12.7,
56/233-237; 172/13; D15/1
See application file for complete search history.

(56) **References Cited**

U.S. PATENT DOCUMENTS

D252,130	S	*	6/1979	Hoff	D8/8
4,817,738	A	*	4/1989	Dorner et al.	173/162.1
D333,954	S	*	3/1993	Karlsson et al.	D8/8
D342,425	S	*	12/1993	Watanabe et al.	D8/8
D355,817	S	*	2/1995	Nakadachi	D8/8
5,934,149	A	*	8/1999	Tuda	74/502.2

6,065,214	A	*	5/2000	Nagashima	30/276
6,508,004	B2	*	1/2003	Tezuka et al.	30/276
D600,515	S	*	9/2009	Tinius	D8/8
D609,067	S	*	2/2010	Tinius	D8/8
7,836,602	B2	*	11/2010	Langhans et al.	30/276
D648,194	S	*	11/2011	Tinius	D8/8
8,098,036	B2	*	1/2012	Matsunaga et al.	318/446

* cited by examiner

Primary Examiner — Sheryl Lane

(74) *Attorney, Agent, or Firm* — Nelson Mullins Riley & Scarborough LLP

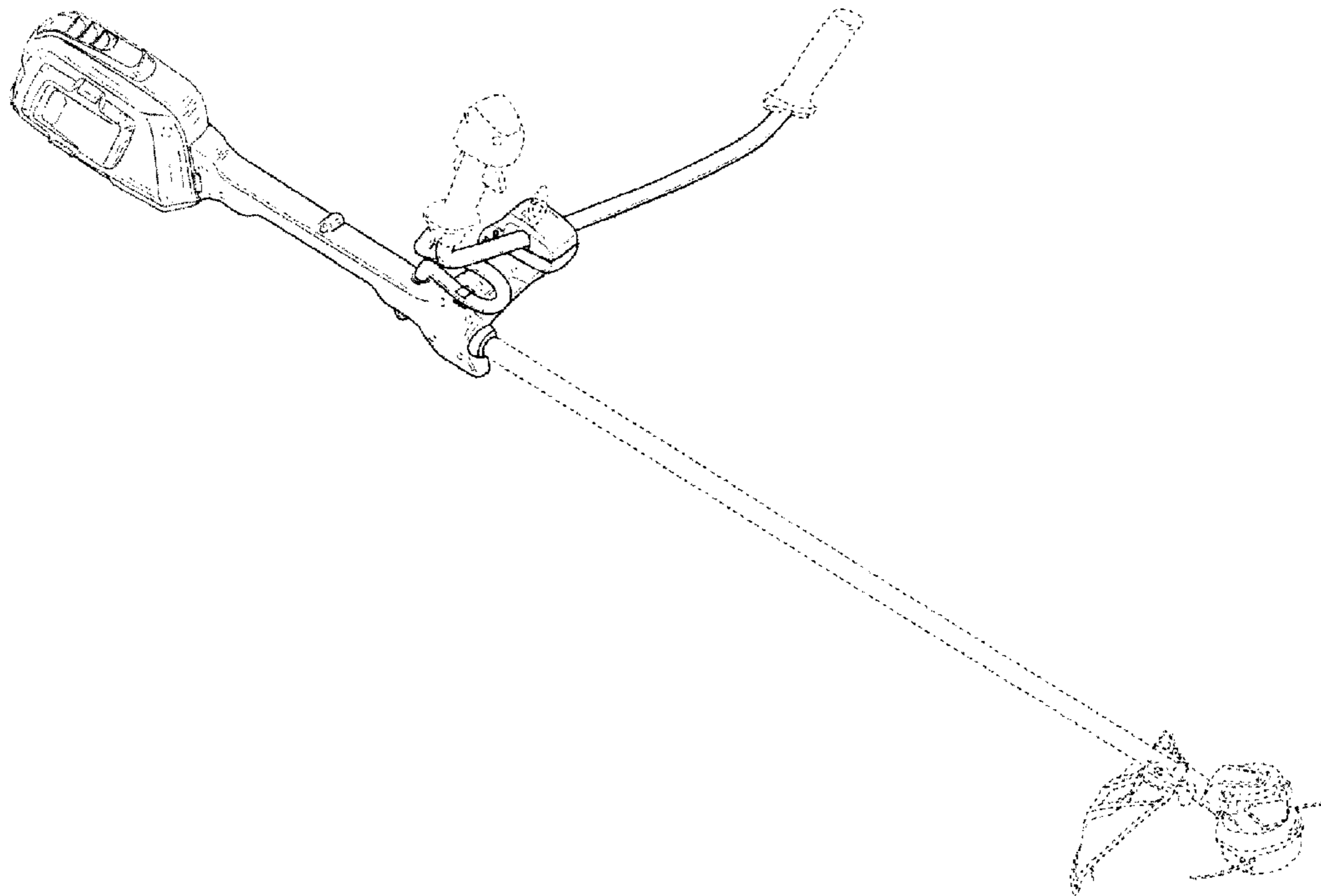
(57) **CLAIM**

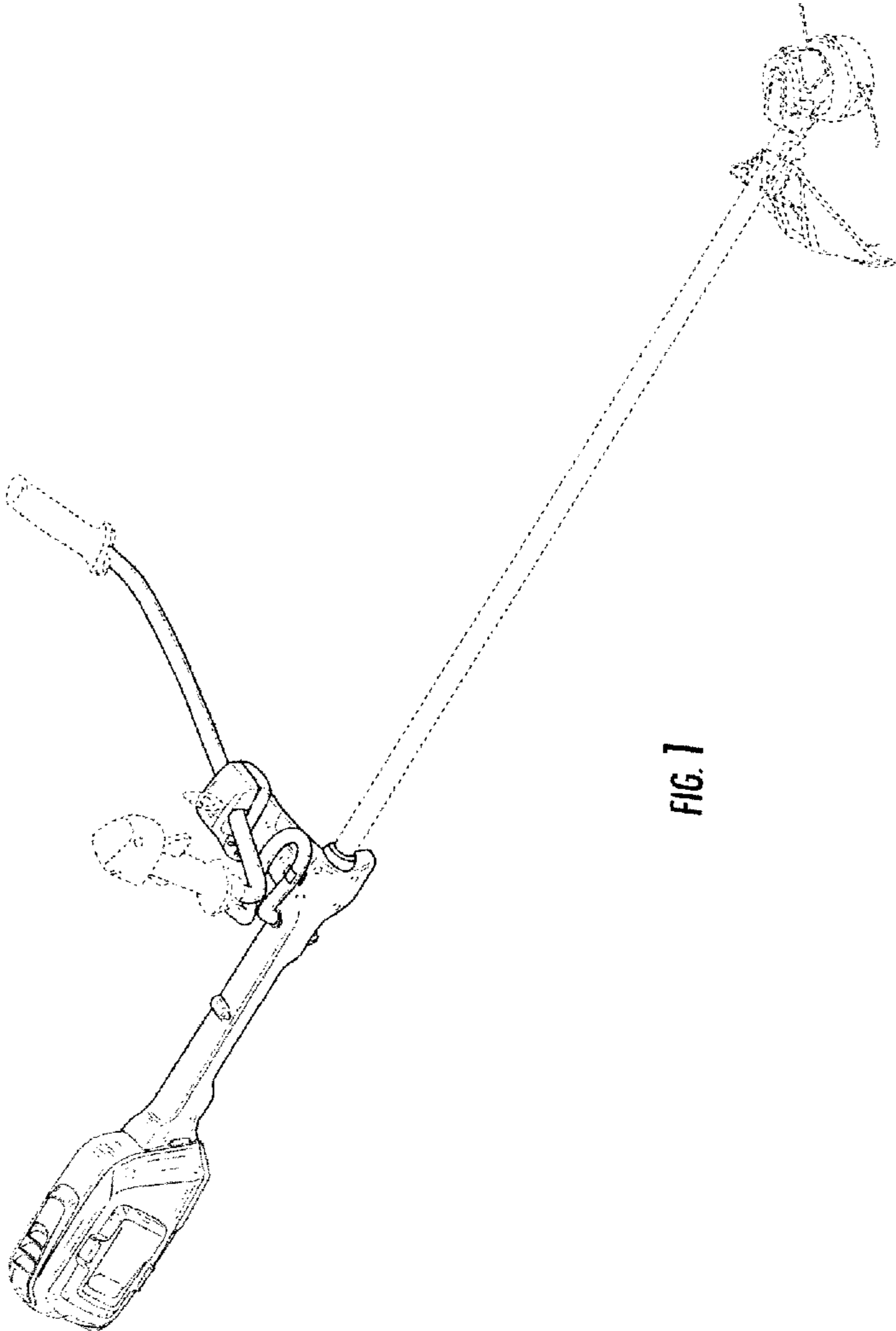
I claim the ornamental design for a trimmer, as shown and described.

DESCRIPTION

FIG. 1 is a top perspective view of a trimmer in accordance with an embodiment of the present invention; FIG. 2 is a right side view of the trimmer of FIG. 1; FIG. 3 is a left side view of the trimmer of FIG. 1; FIG. 4 is a top plan view of the trimmer of FIG. 1; FIG. 5 is a bottom plan view of the trimmer of FIG. 1; FIG. 6 is a rear view of the trimmer of FIG. 1; and, FIG. 7 is a front view of the trimmer of FIG. 1. The broken lines of FIGS. 1-7 are illustrative of the visible environmental structure of the trimmer and form no part of the claimed design.

1 Claim, 6 Drawing Sheets





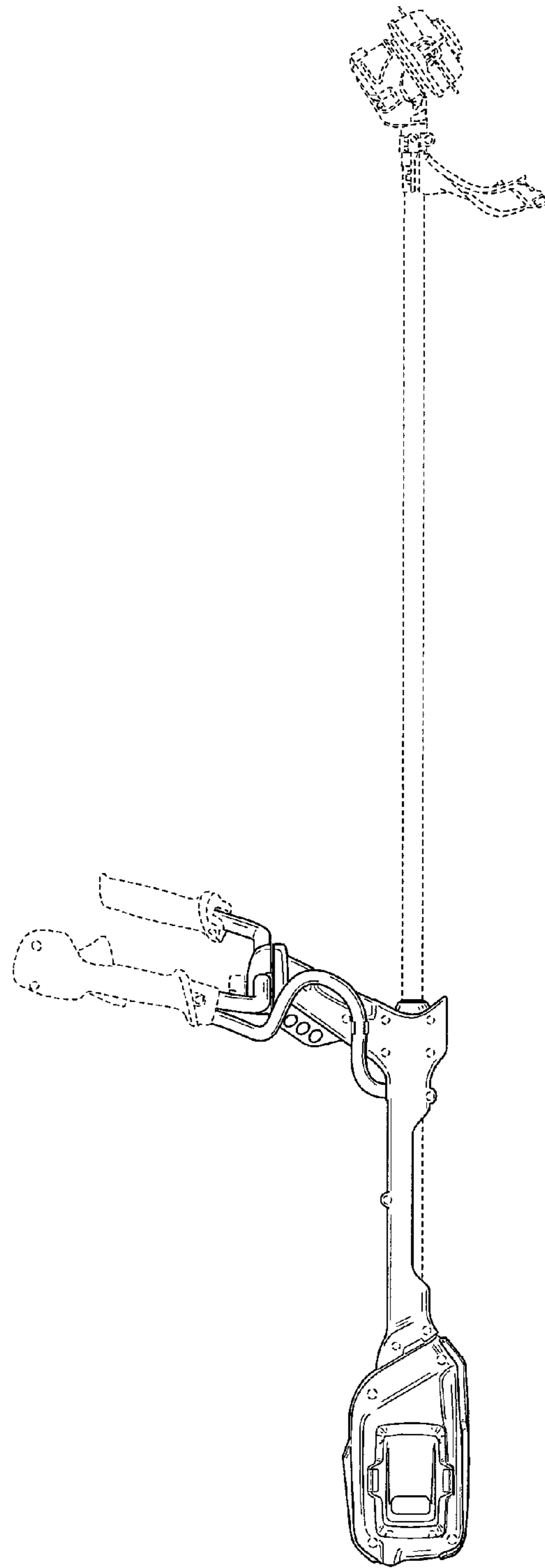
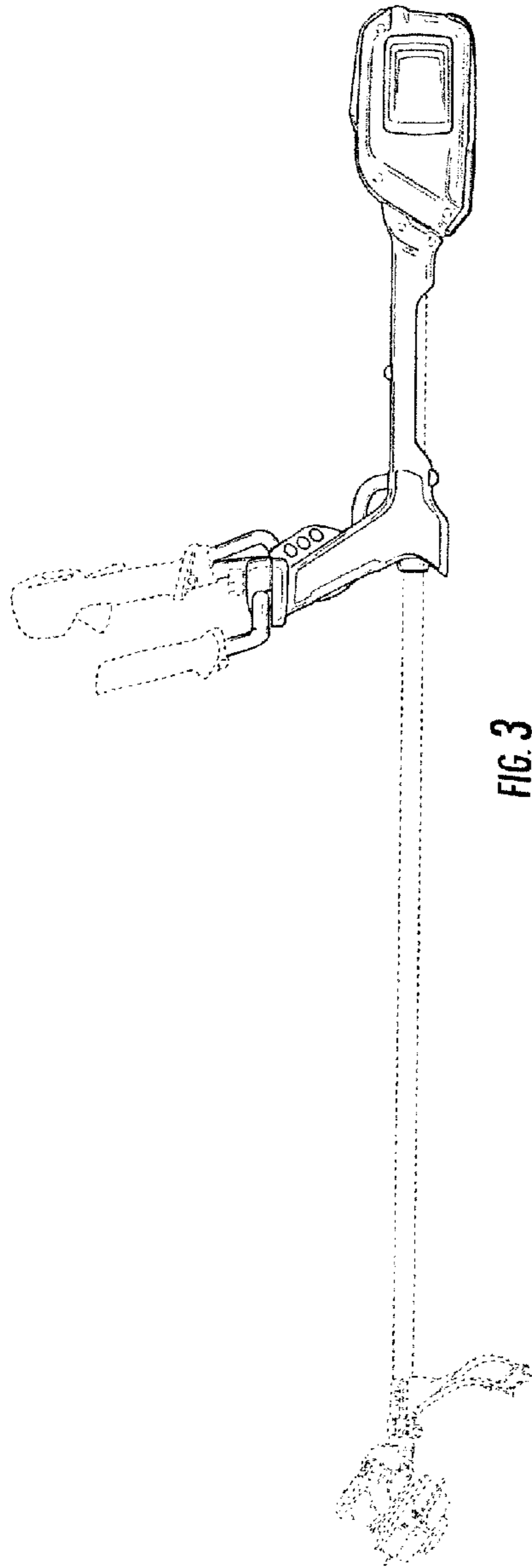


FIG. 2



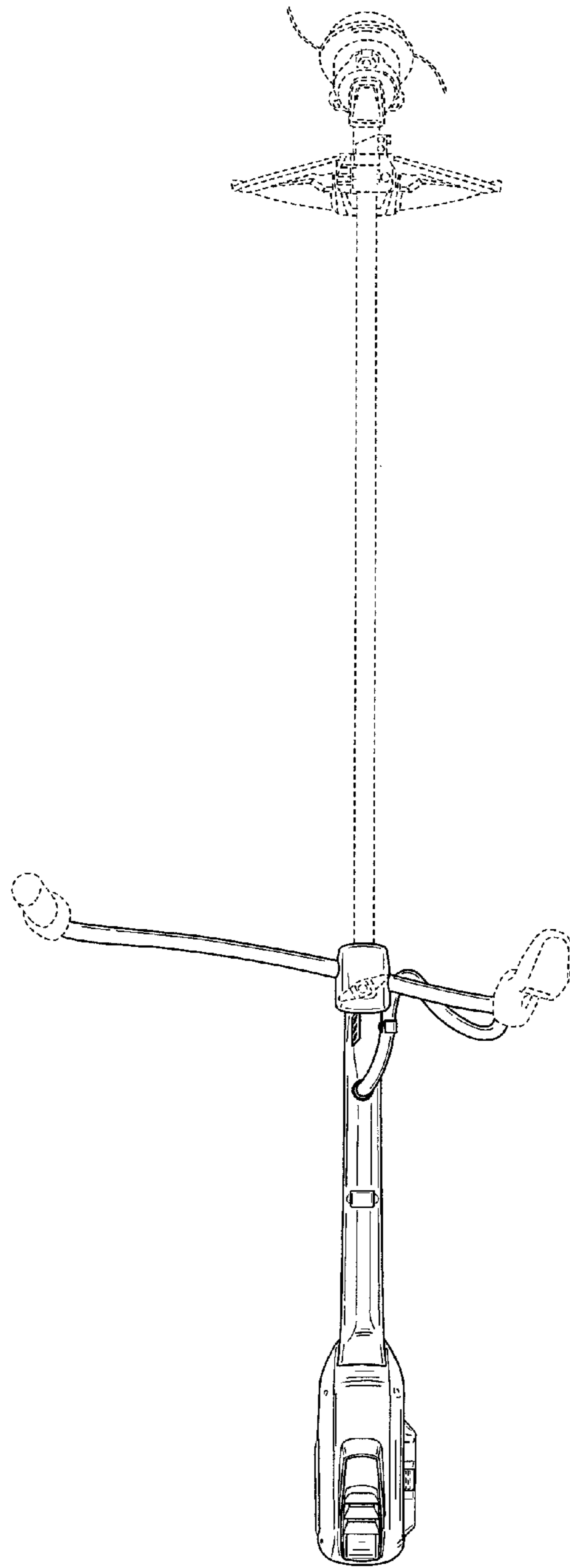


FIG. 4

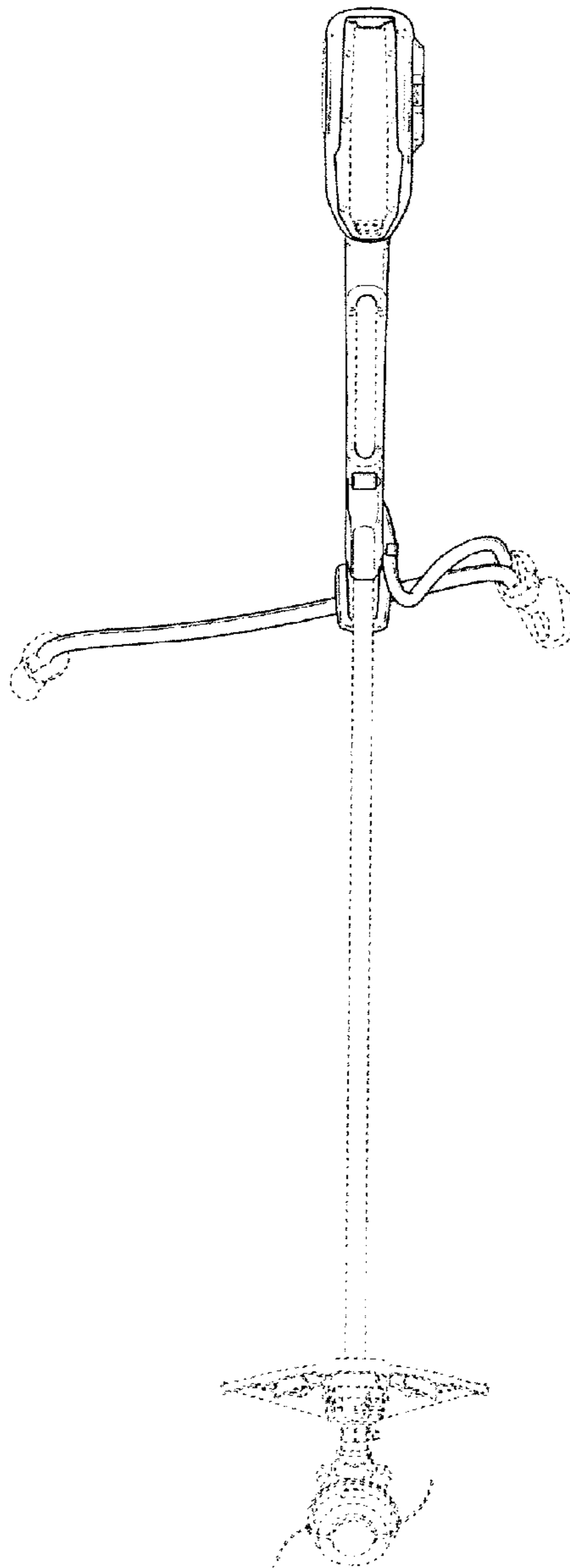


FIG. 5

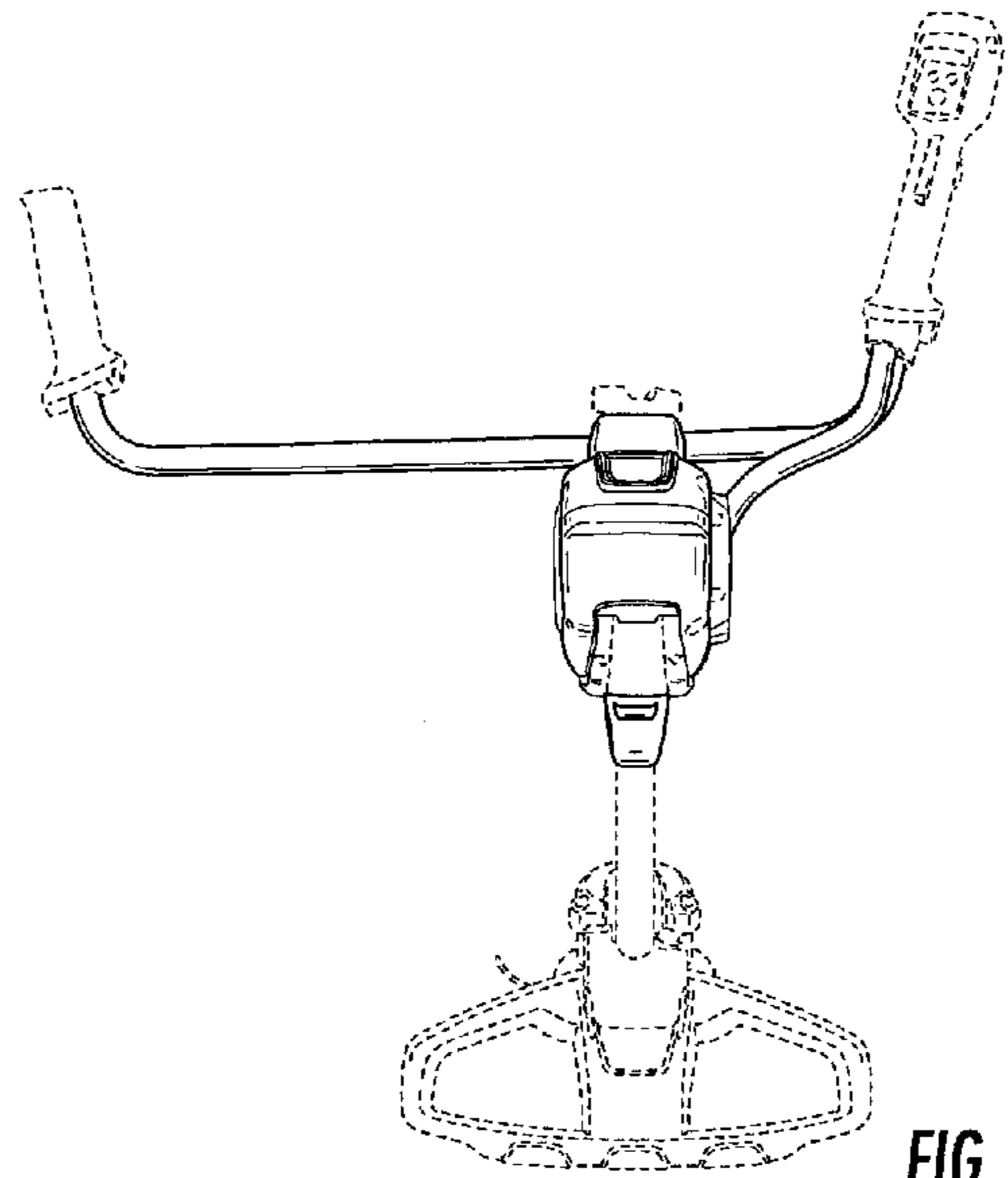


FIG. 6

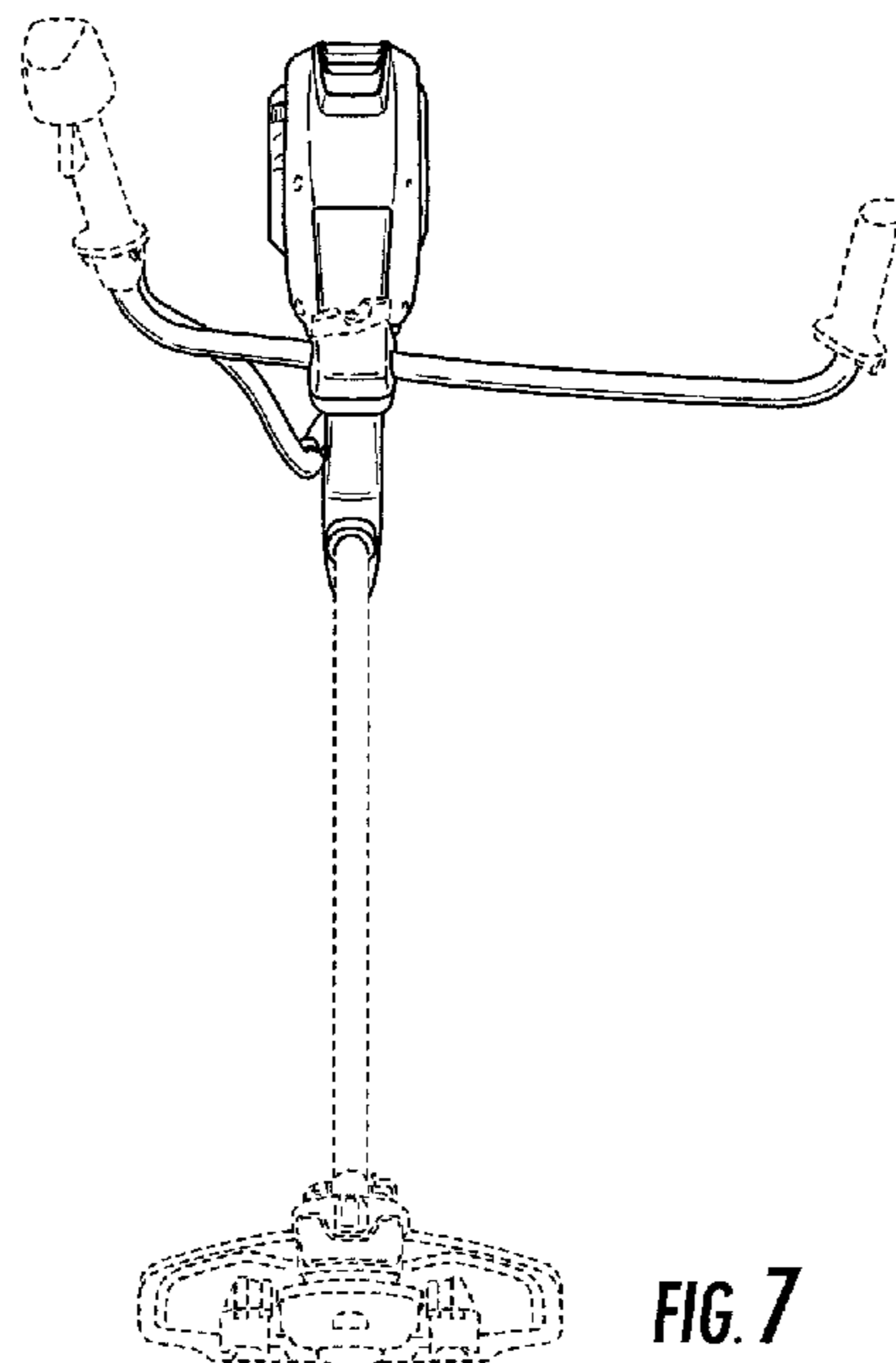


FIG. 7