



US00D668516S

(12) **United States Design Patent**
Landberg

(10) **Patent No.:** **US D668,516 S**

(45) **Date of Patent:** **** Oct. 9, 2012**

(54) **TRIMMER**

(75) Inventor: **Gustav Landberg**, Stockholm (SE)

(73) Assignee: **Husqvarna AB**, Huskvarna (SE)

(**) Term: **14 Years**

(21) Appl. No.: **29/407,397**

(22) Filed: **Nov. 29, 2011**

(30) **Foreign Application Priority Data**

May 31, 2011 (EM) 001870882

(51) **LOC (9) Cl.** **08-01**

(52) **U.S. Cl.** **D8/8**

(58) **Field of Classification Search** D8/7, 8,
D8/9; 30/208, 276, 228, 382, 383, 216; 56/12.7,
56/233-237; 172/13; D15/1
See application file for complete search history.

(56) **References Cited**

U.S. PATENT DOCUMENTS

D360,341 S *	7/1995	Hirooka et al.	D8/8
D474,947 S *	5/2003	Holmdahl et al.	D8/8
D530,163 S *	10/2006	Xue-Feng	D8/8
D578,842 S *	10/2008	Houghton	D8/8
D582,224 S *	12/2008	Bochmann et al.	D8/8
D600,516 S *	9/2009	Tinius	D8/8

D600,517 S *	9/2009	Tinius	D8/8
D604,127 S *	11/2009	Houghton	D8/8
D624,372 S *	9/2010	Misaki et al.	D8/8
D625,159 S *	10/2010	Tinius	D8/8
D625,160 S *	10/2010	Misaki	D8/8
D625,972 S *	10/2010	Sweeney	D8/8
8,001,694 B2 *	8/2011	Sing et al.	30/276

* cited by examiner

Primary Examiner — Sheryl Lane

(74) *Attorney, Agent, or Firm* — Nelson Mullins Riley & Scarborough LLP

(57) **CLAIM**

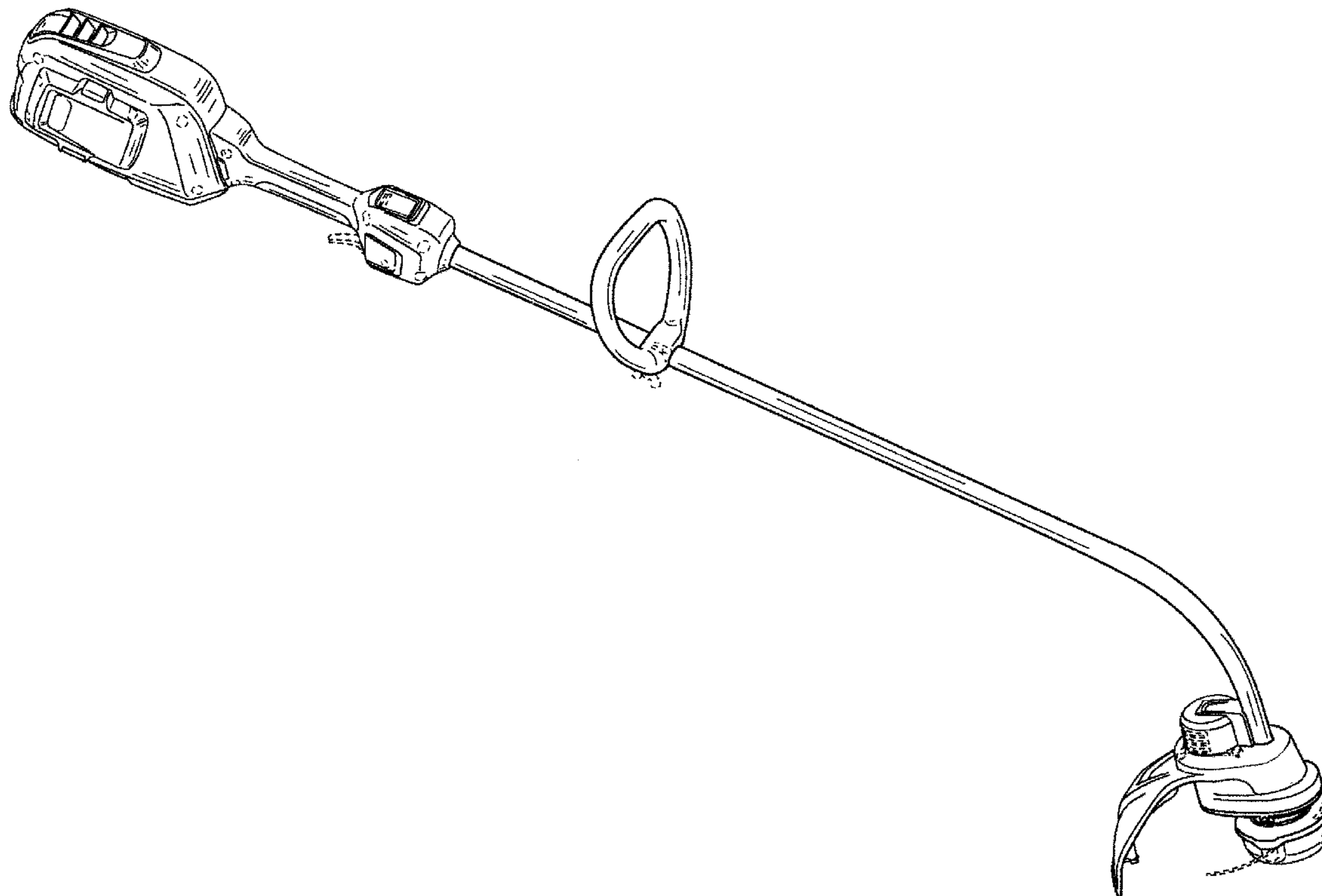
I claim, the ornamental design for a trimmer, as shown and described.

DESCRIPTION

FIG. 1 is a top perspective view of a trimmer in accordance with an embodiment of the present invention; FIG. 2 is a right side view of the trimmer of FIG. 1; FIG. 3 is a left side view of the trimmer of FIG. 1; FIG. 4 is a top plan view of the trimmer of FIG. 1; FIG. 5 is a bottom plan view of the trimmer of FIG. 1; FIG. 6 is a rear view of the trimmer of FIG. 1; and, FIG. 7 is a front view of the trimmer of FIG. 1.

The broken lines of FIGS. 1-7 are illustrative of the visible environmental structure of the trimmer and form no part of the claimed design.

1 Claim, 6 Drawing Sheets



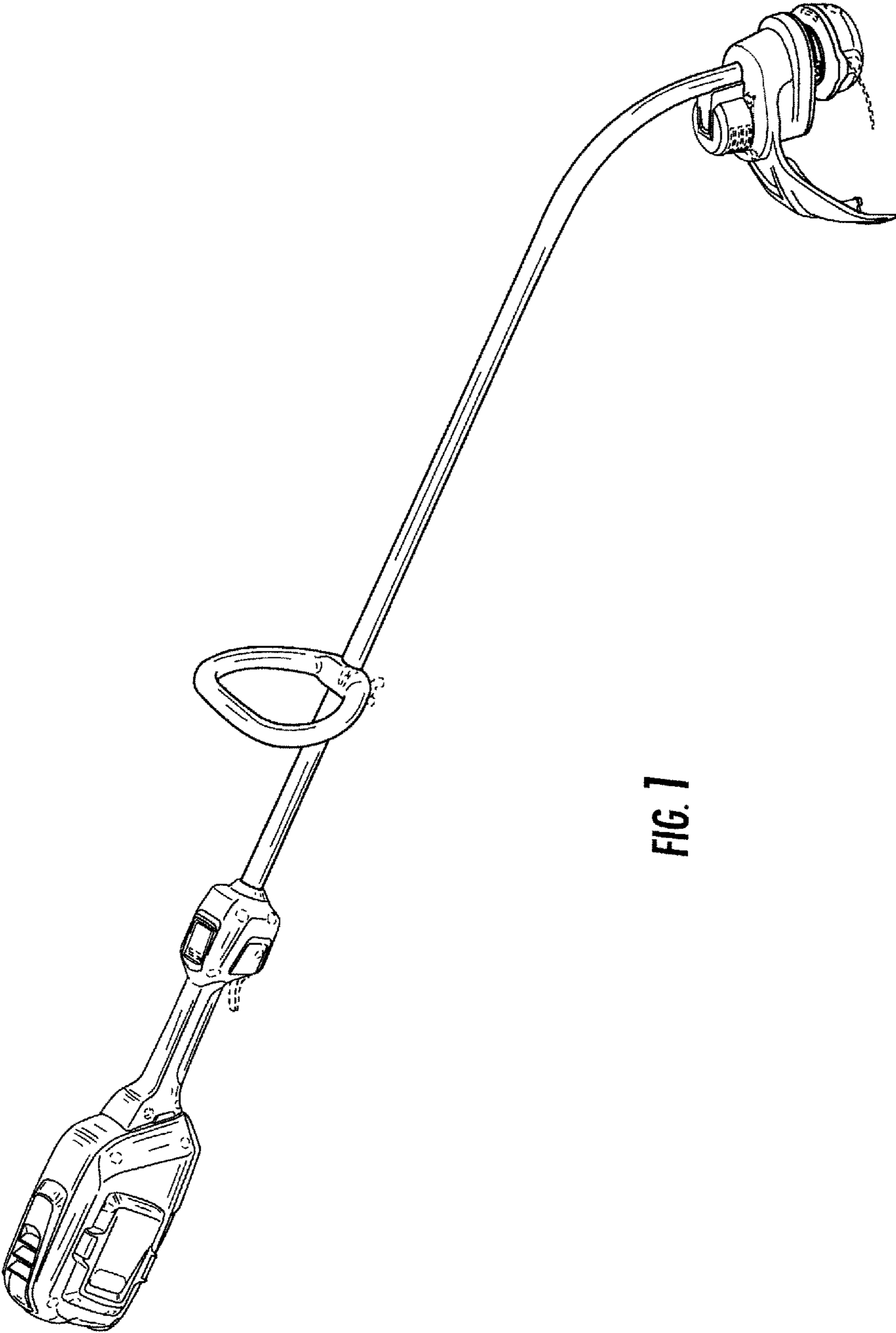


FIG. 1

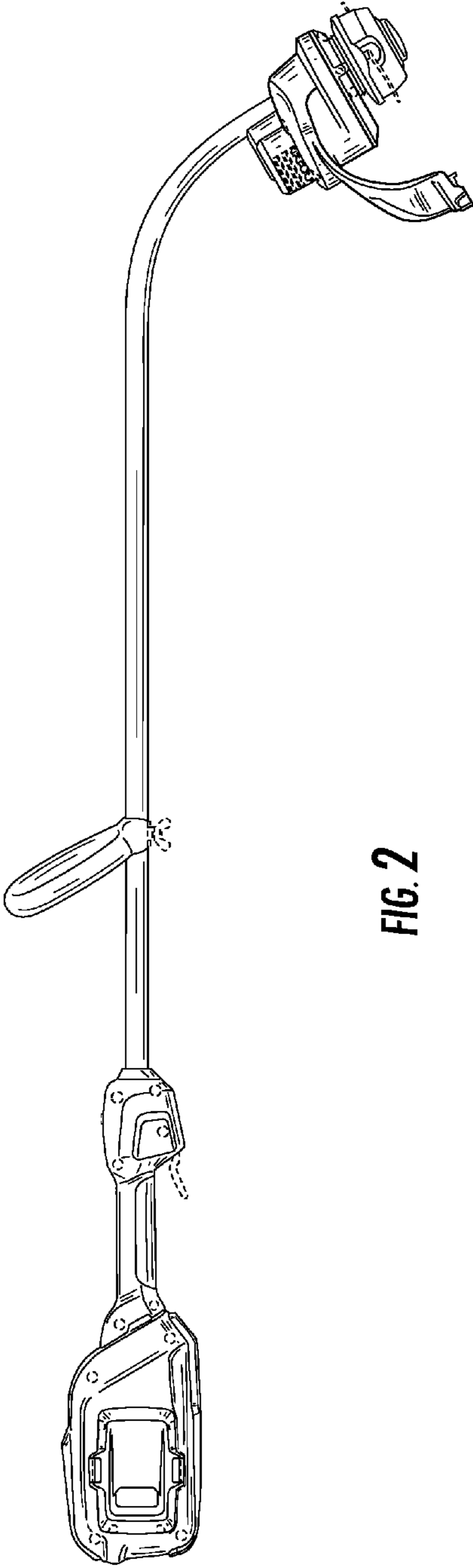


FIG. 2

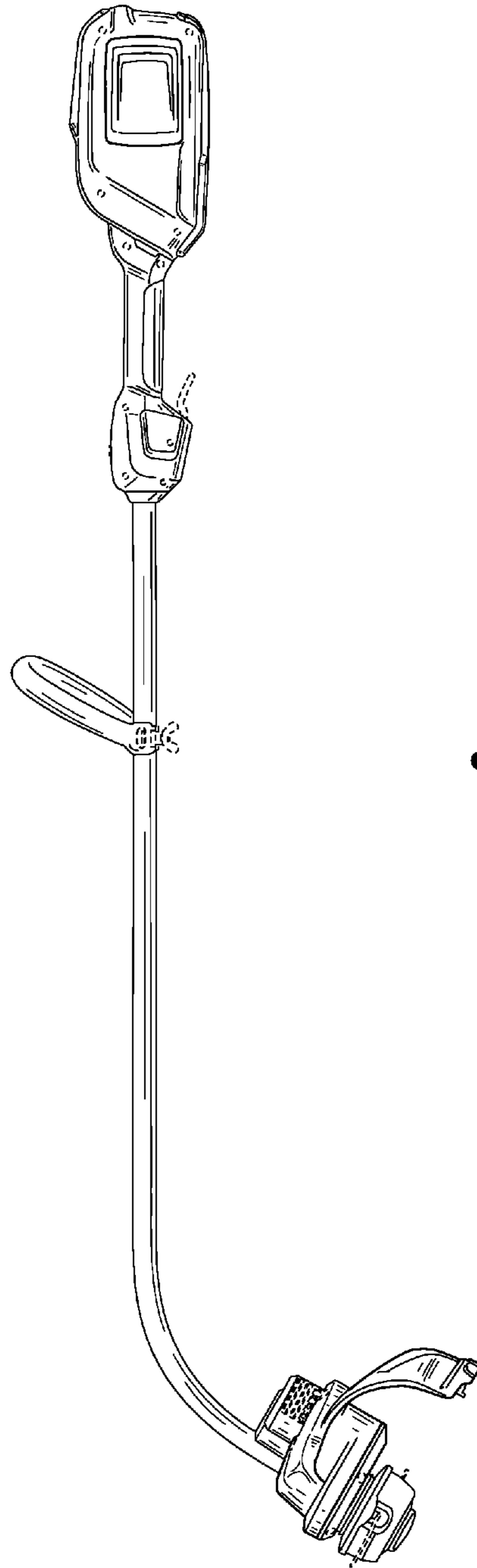


FIG. 3

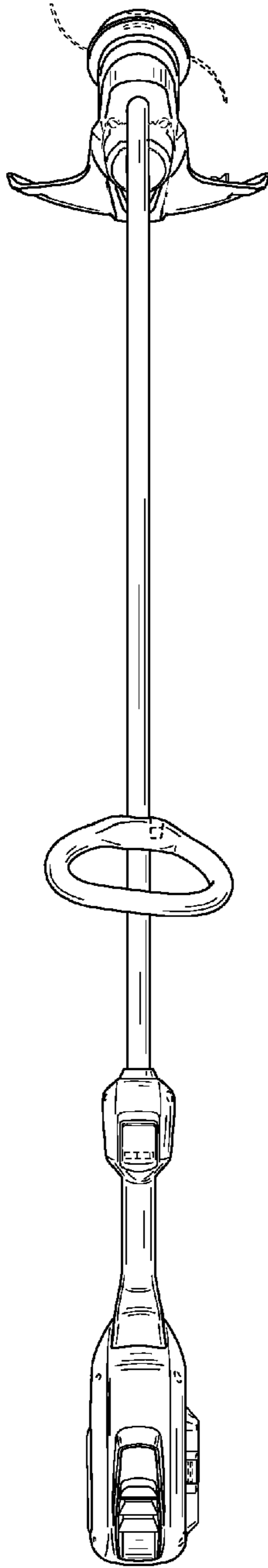


FIG. 4

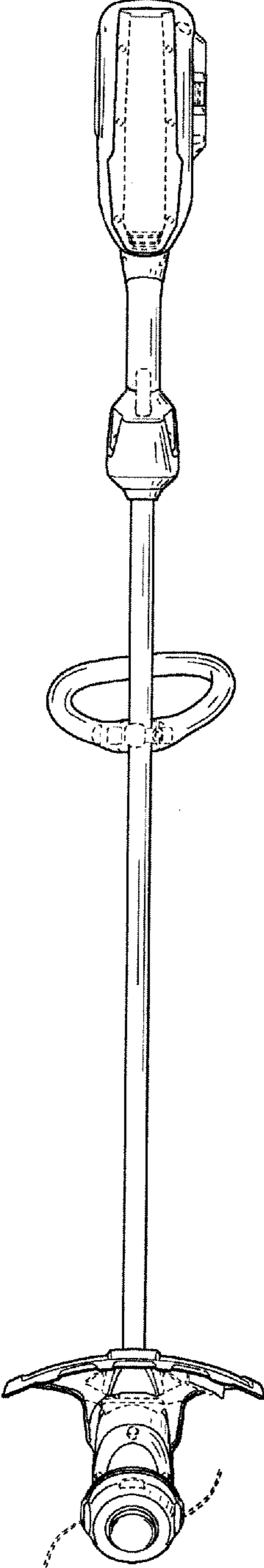


FIG. 5

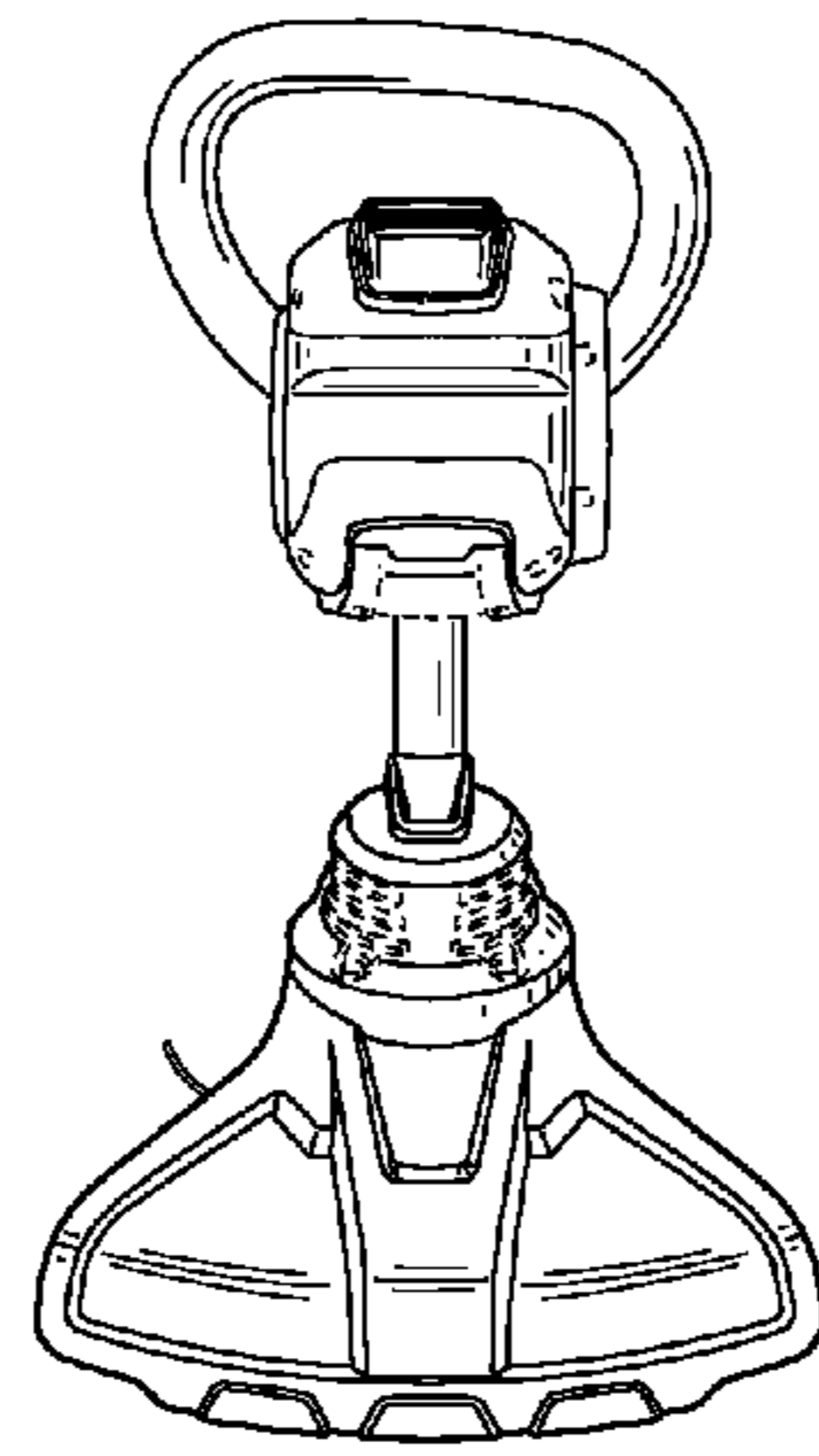


FIG. 6

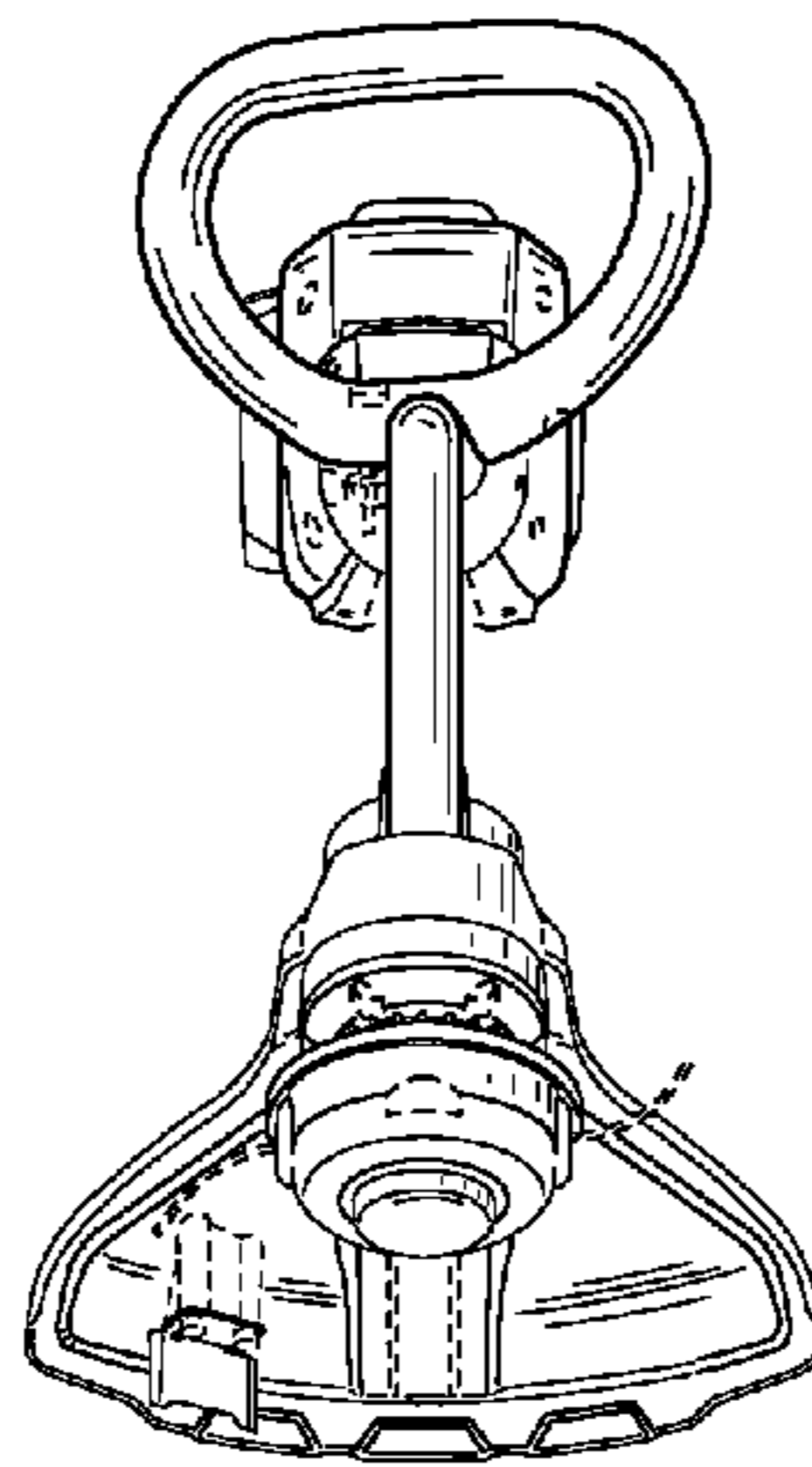


FIG. 7