

US00D668514S

(12) **United States Design Patent**
Sweeney

(10) **Patent No.:** **US D668,514 S**
(45) **Date of Patent:** **** Oct. 9, 2012**

(54) **HEDGE TRIMMER**

(75) Inventor: **Sean Sweeney**, Durham (GB)

(73) Assignee: **Black & Decker Inc.**, Newark, DE (US)

(**) Term: **14 Years**

(21) Appl. No.: **29/402,451**

(22) Filed: **Sep. 23, 2011**

(30) **Foreign Application Priority Data**

Apr. 18, 2011 (EM) 001271373

(51) **LOC (9) Cl.** **08-01**

(52) **U.S. Cl.** **D8/8**

(58) **Field of Classification Search** D8/7, 8,
D8/9; 30/208, 276, 228, 382, 383, 216; 56/12.7,
56/233-237; 172/13; D15/1

See application file for complete search history.

(56) **References Cited**

U.S. PATENT DOCUMENTS

D463,229 S * 9/2002 Gabriel D8/8
D543,805 S * 6/2007 Houghton D8/8
D580,240 S * 11/2008 Murray D8/8

* cited by examiner

Primary Examiner — Sheryl Lane

(74) *Attorney, Agent, or Firm* — John Yun

(57) **CLAIM**

The ornamental design for a hedge trimmer, as shown and described.

DESCRIPTION

FIG. 1 is a perspective view of a hedge trimmer showing my new design;

FIG. 2 is a front view thereof

FIG. 3 is a rear view thereof;

FIG. 4 is a left side view thereof;

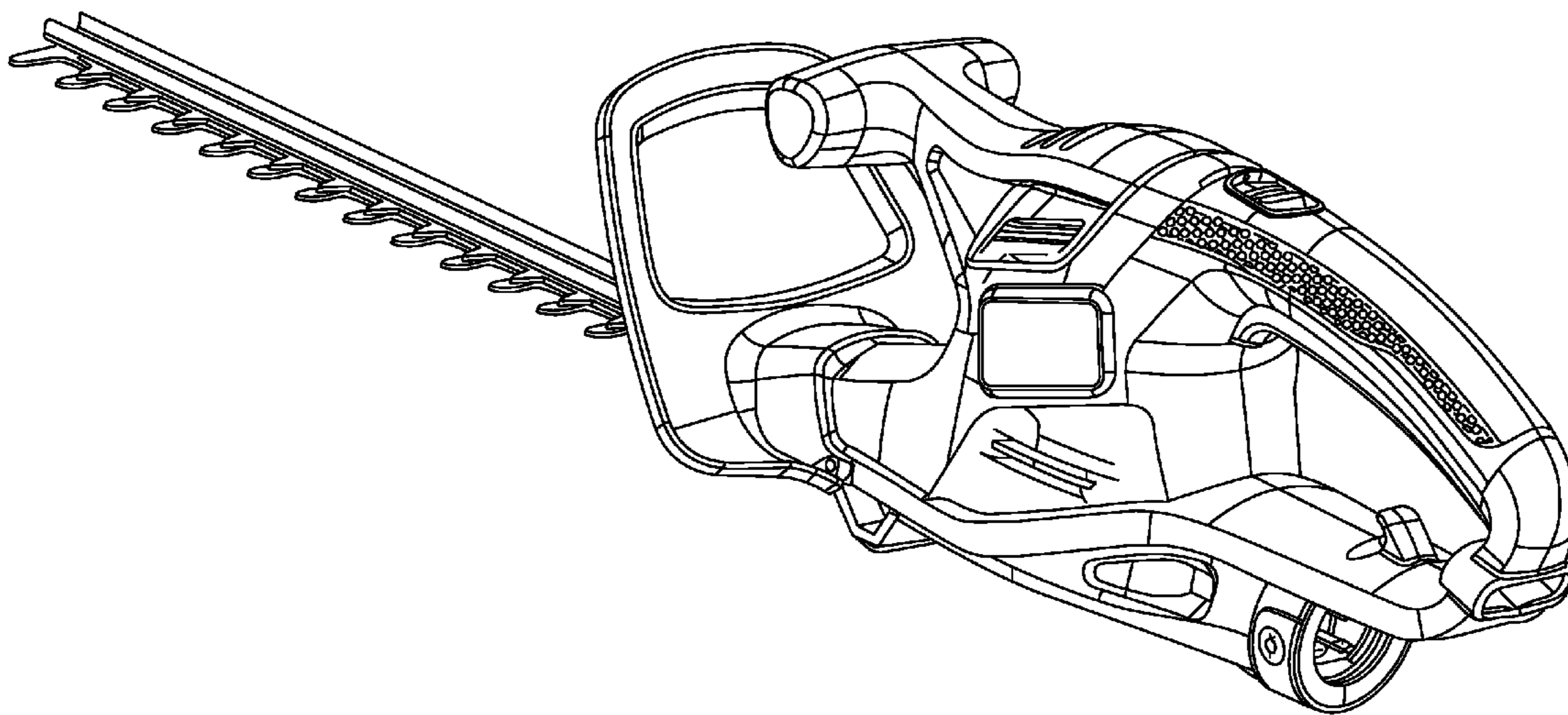
FIG. 5 is a right side view thereof;

FIG. 6 is a top plan view thereof; and,

FIG. 7 is a bottom plan view thereof.

The broken line showing of the hedge trimmer is included for the purpose of illustrating portions of the article and forms no part of the claimed design.

1 Claim, 7 Drawing Sheets



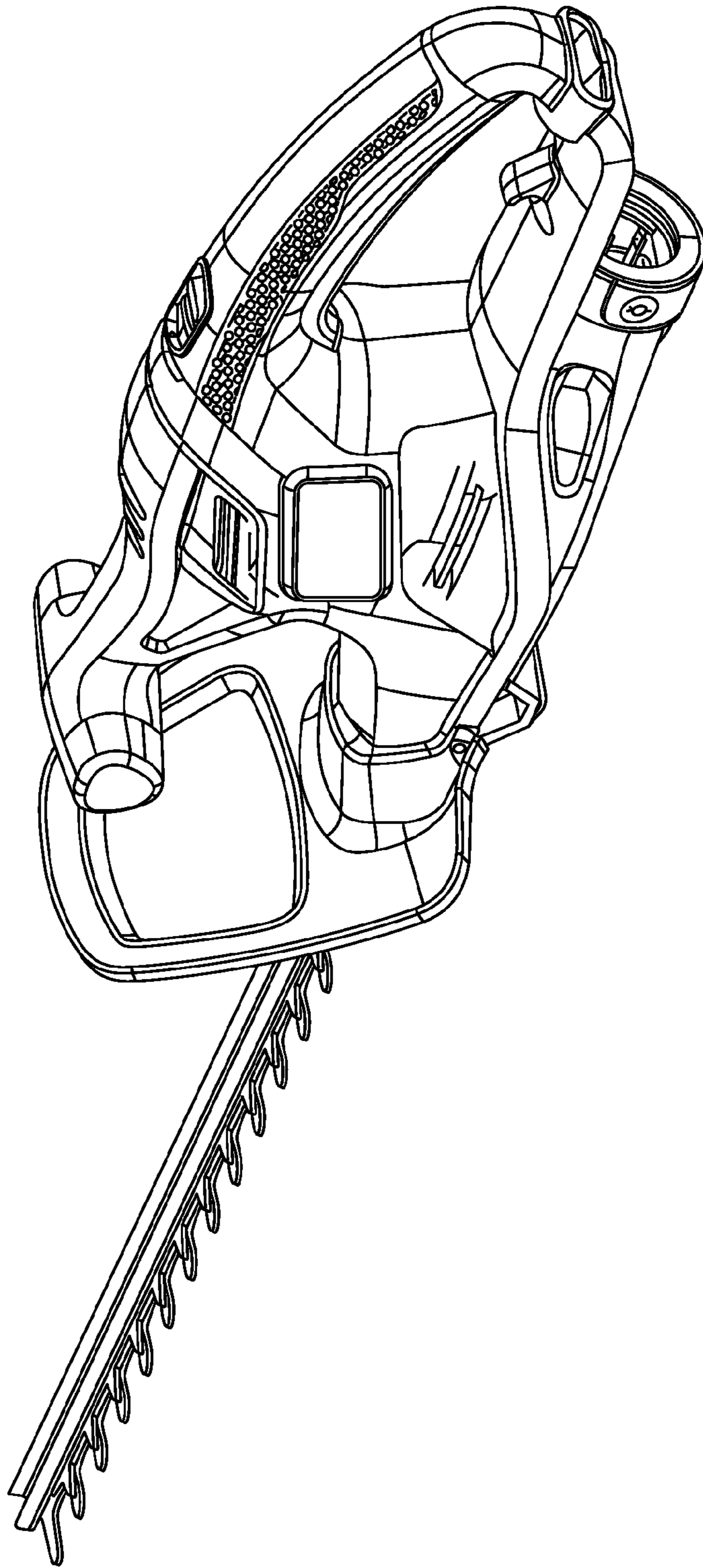


FIG. 1

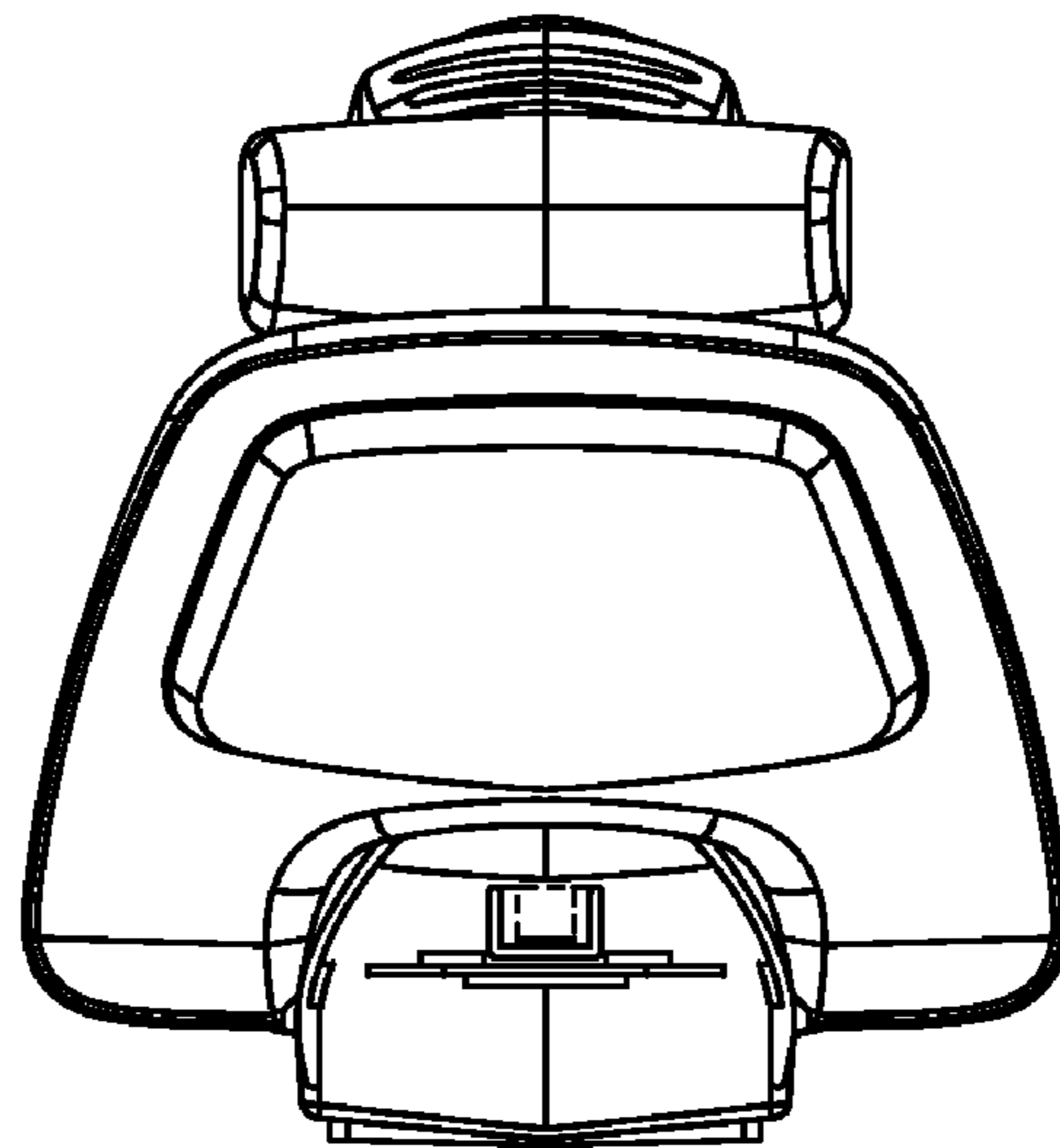


FIG. 2

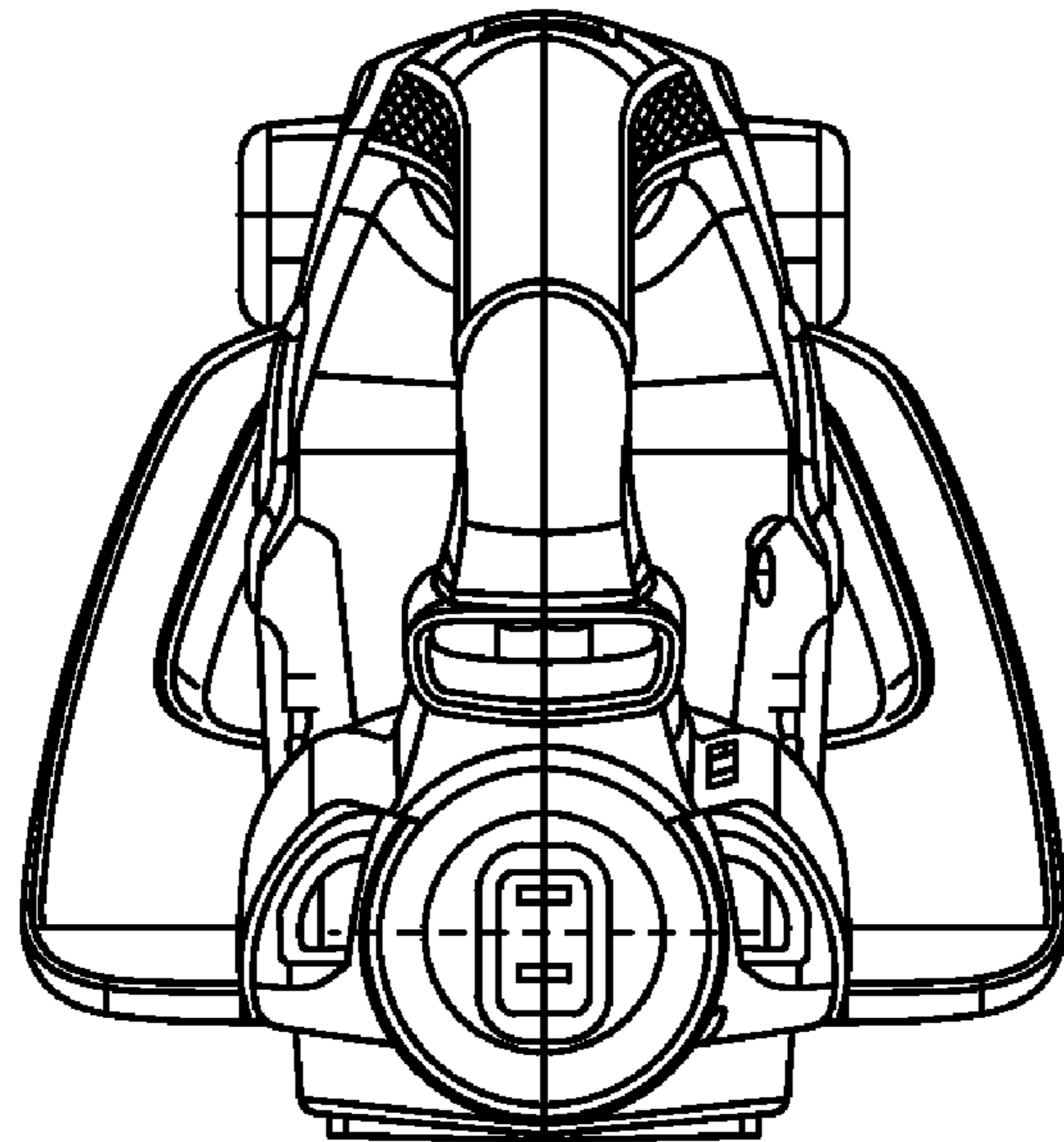


FIG. 3

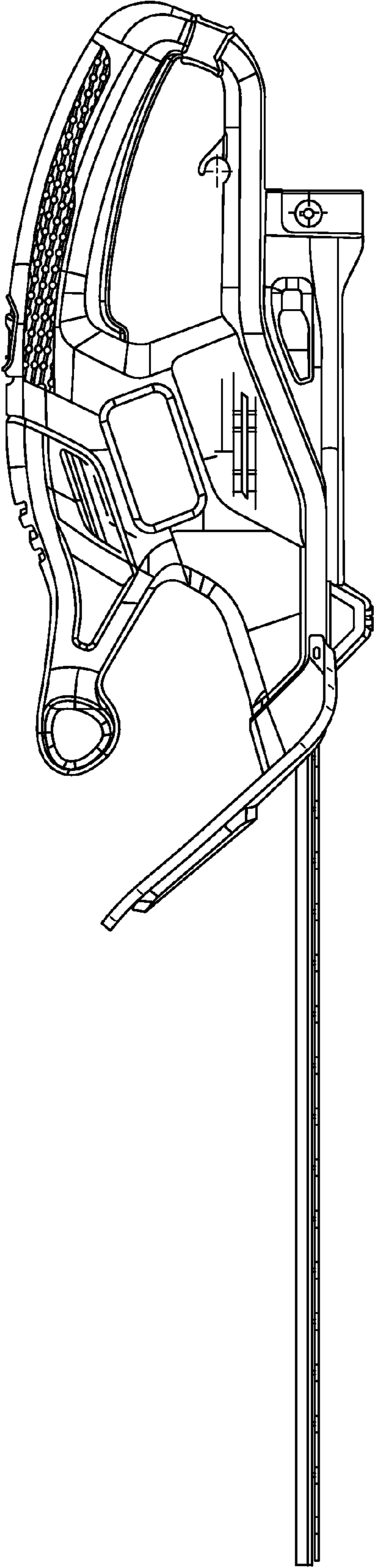


FIG. 4

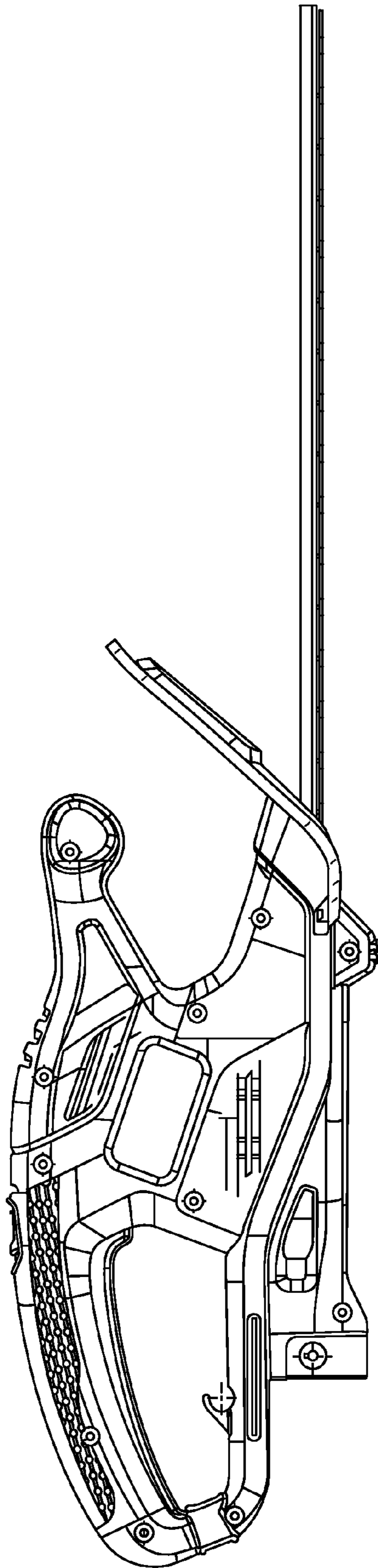


FIG. 5

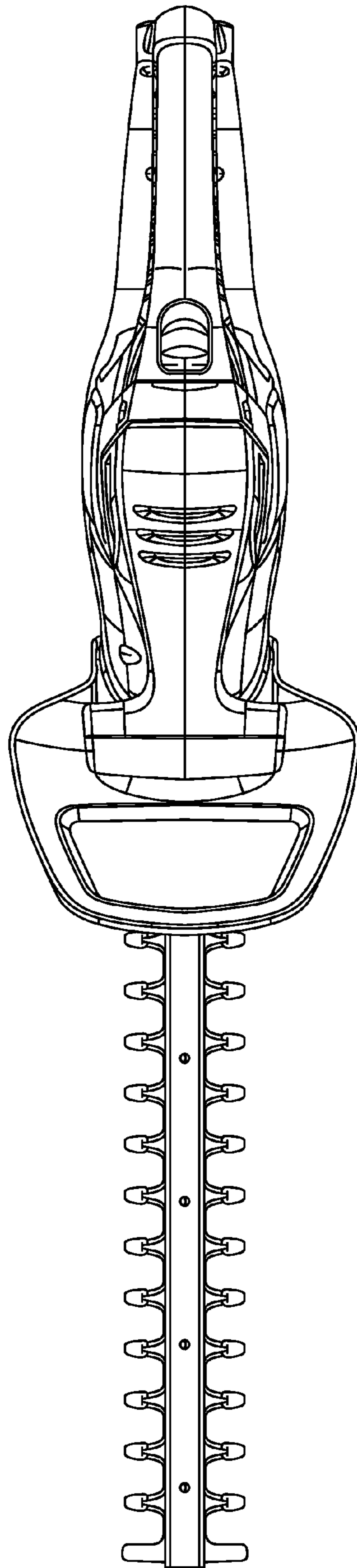


FIG. 6

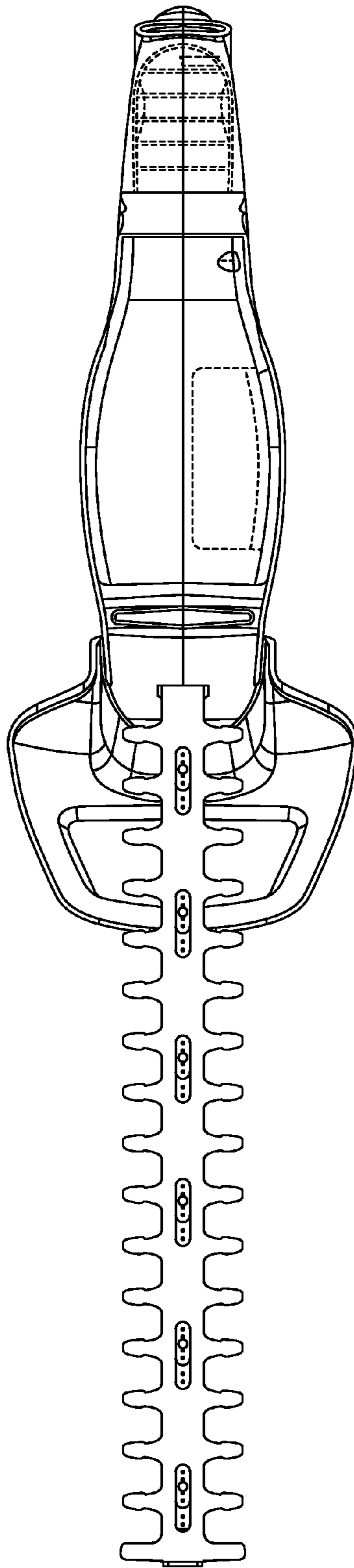


FIG. 7