



US00D668513S

(12) **United States Design Patent**  
**Okuda et al.**

(10) **Patent No.:** **US D668,513 S**

(45) **Date of Patent:** **\*\* Oct. 9, 2012**

(54) **HEDGE TRIMMER**

(75) Inventors: **Shinsuke Okuda**, Aichi (JP); **Hideaki Sugiura**, Aichi (JP); **Fuzhi Zhang**, Jiangsu (CN)

(73) Assignee: **Makita Corporation**, Anjo-shi (JP)

(\*\*) Term: **14 Years**

(21) Appl. No.: **29/401,379**

(22) Filed: **Sep. 12, 2011**

(30) **Foreign Application Priority Data**

Apr. 7, 2011 (JP) ..... 2011-008048

(51) **LOC (9) Cl.** ..... **08-01**

(52) **U.S. Cl.** ..... **D8/8**

(58) **Field of Classification Search** ..... D8/7, 8, D8/9; 30/208, 276, 228, 382, 383, 216; 56/12.7, 56/233-237; 172/13; D15/1

See application file for complete search history.

(56) **References Cited**

**U.S. PATENT DOCUMENTS**

D463,228	S	*	9/2002	Cooper	.....	D8/8
D463,229	S	*	9/2002	Gabriel	.....	D8/8
D468,600	S	*	1/2003	Evans	.....	D8/8
D522,818	S	*	6/2006	Andriolo	.....	D8/8
D580,238	S	*	11/2008	Murray	.....	D8/8
D580,239	S	*	11/2008	Murray	.....	D8/8
D582,225	S	*	12/2008	Bochmann et al.	.....	D8/8

D623,487	S	*	9/2010	Tinius	.....	D8/8
D624,371	S	*	9/2010	Tinius	.....	D8/8
D650,643	S	*	12/2011	Aoki et al.	.....	D8/8

**OTHER PUBLICATIONS**

Makita Product Catalog 2011-4 "MUH301DRF" p. 150 (2011).

\* cited by examiner

*Primary Examiner* — Sheryl Lane

(74) *Attorney, Agent, or Firm* — Posz Law Goup, PLC

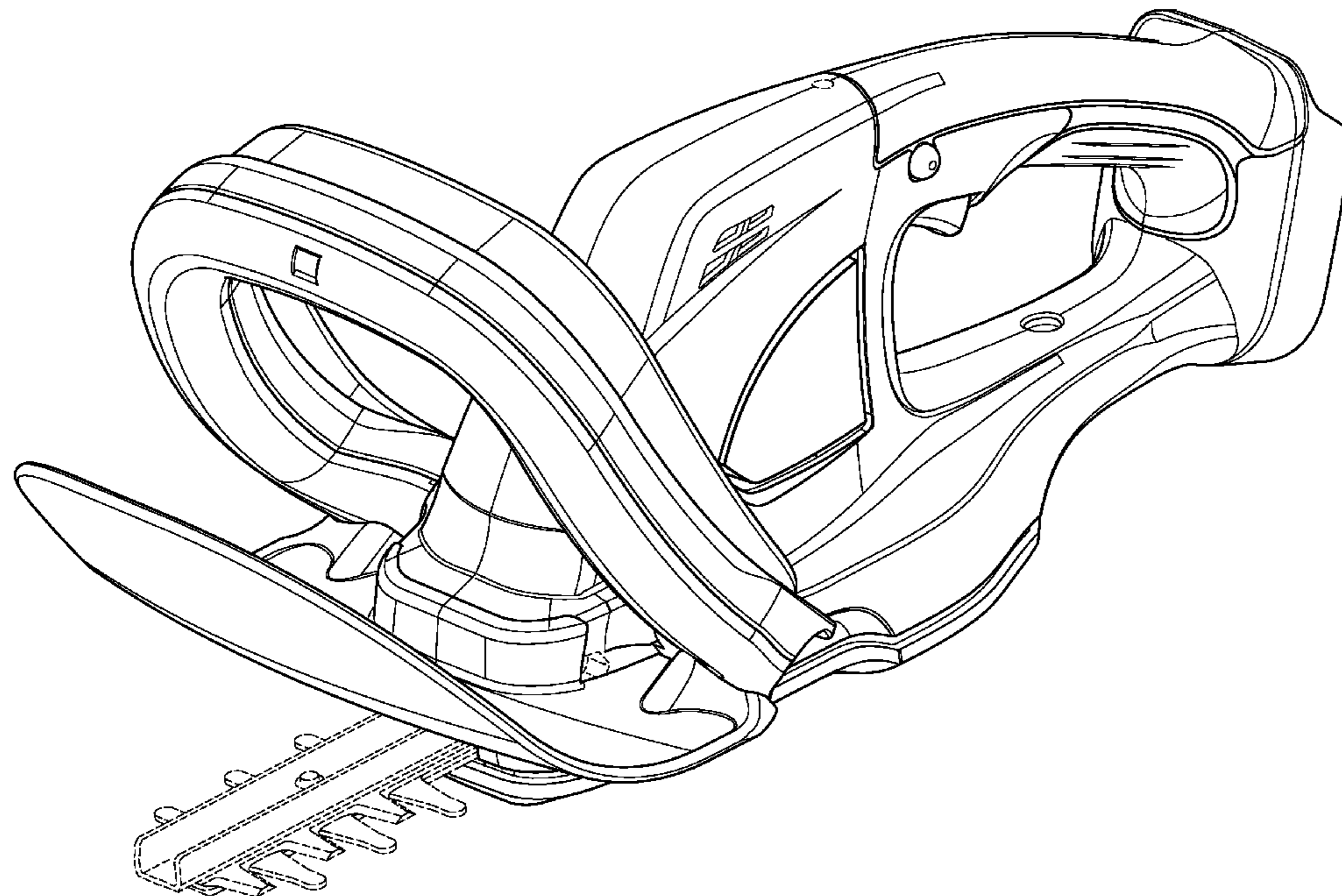
(57) **CLAIM**

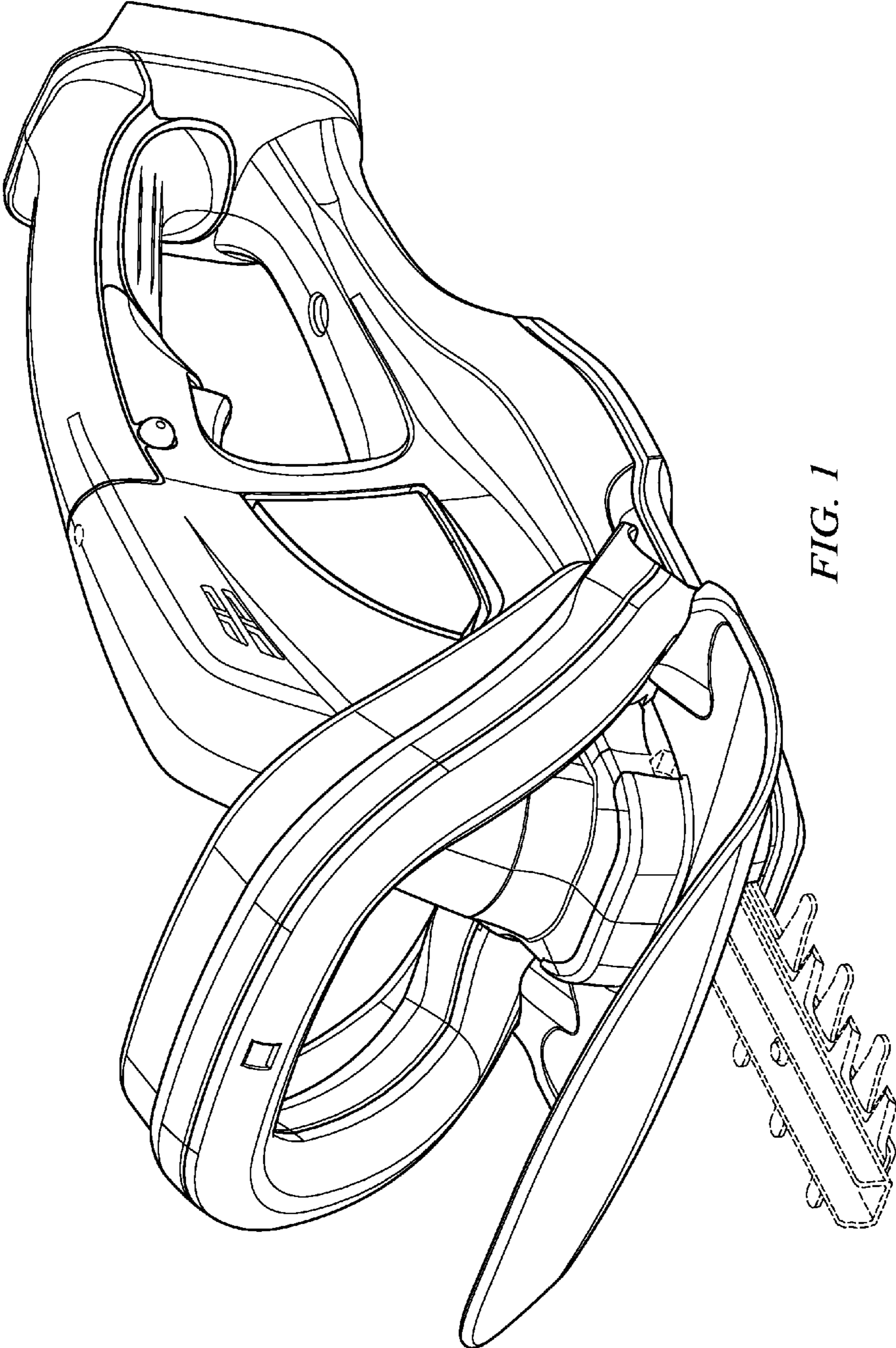
The ornamental design for a hedge trimmer, as shown and described.

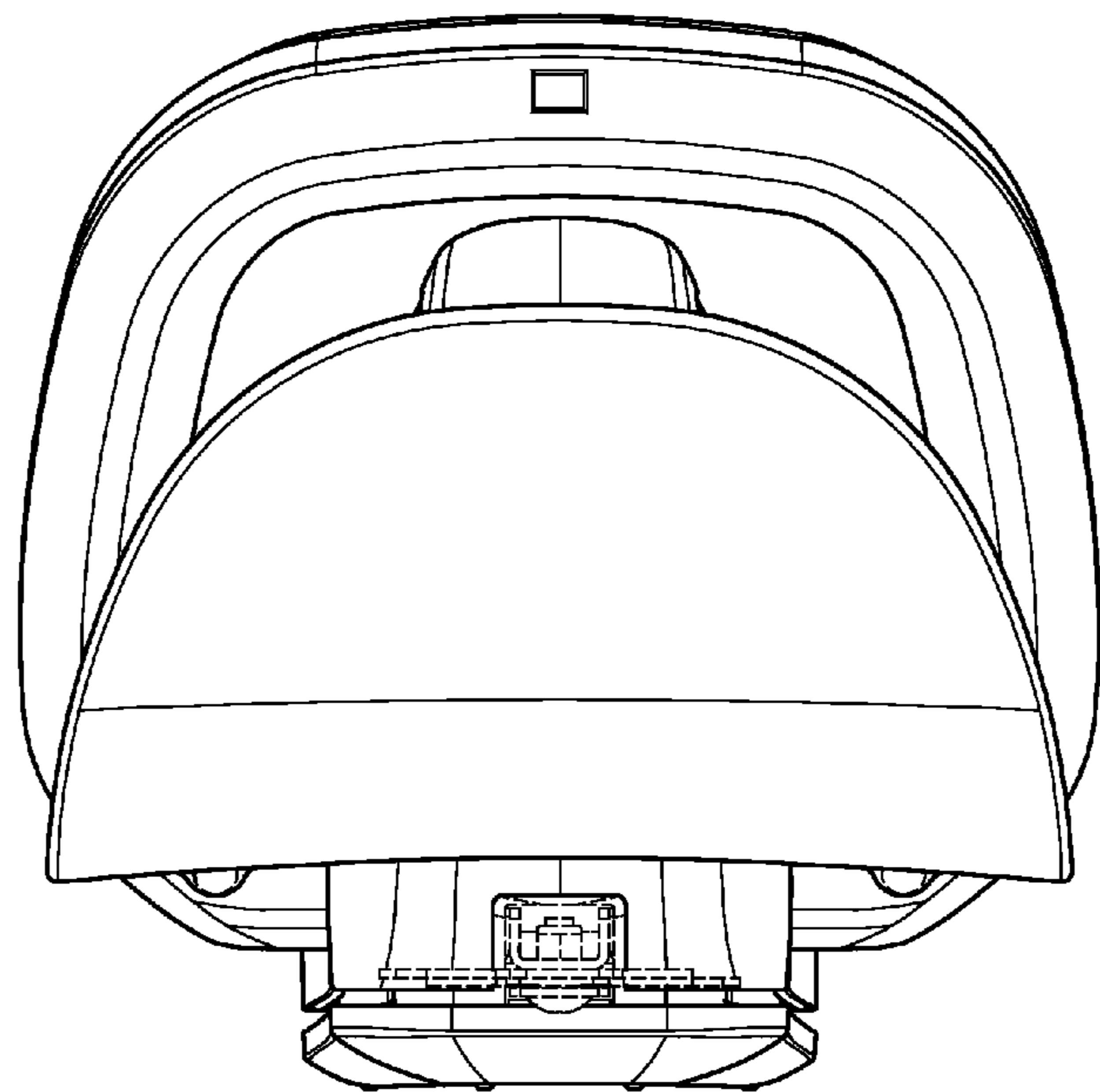
**DESCRIPTION**

FIG. 1 is a perspective view of top, front, and left side of a hedge trimmer showing my new design; FIG. 2 is a left side view thereof; FIG. 3 is a right side view thereof; FIG. 4 is a top plan view thereof; FIG. 5 is a bottom view thereof; FIG. 6 is a rear view thereof; FIG. 7 is a front view thereof; FIG. 8 is a perspective view of top, rear, and right side thereof; and, FIG. 9 is a perspective view of FIG. 1 with detachable battery. The broken line showing of the hedge trimmer is included for the purpose of showing portions of the article and forms no part of the claimed design.

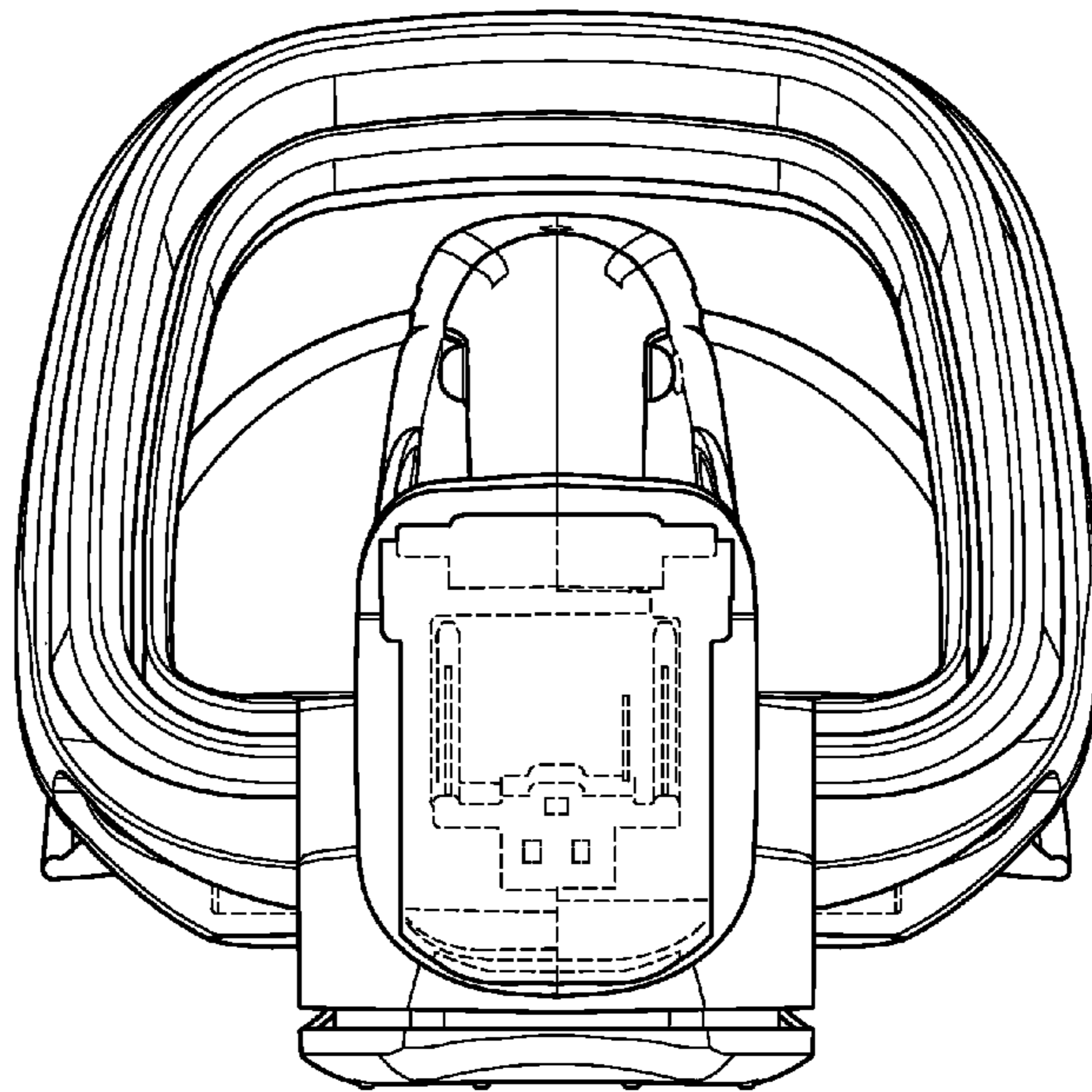
**1 Claim, 9 Drawing Sheets**







*FIG. 2*



*FIG. 3*

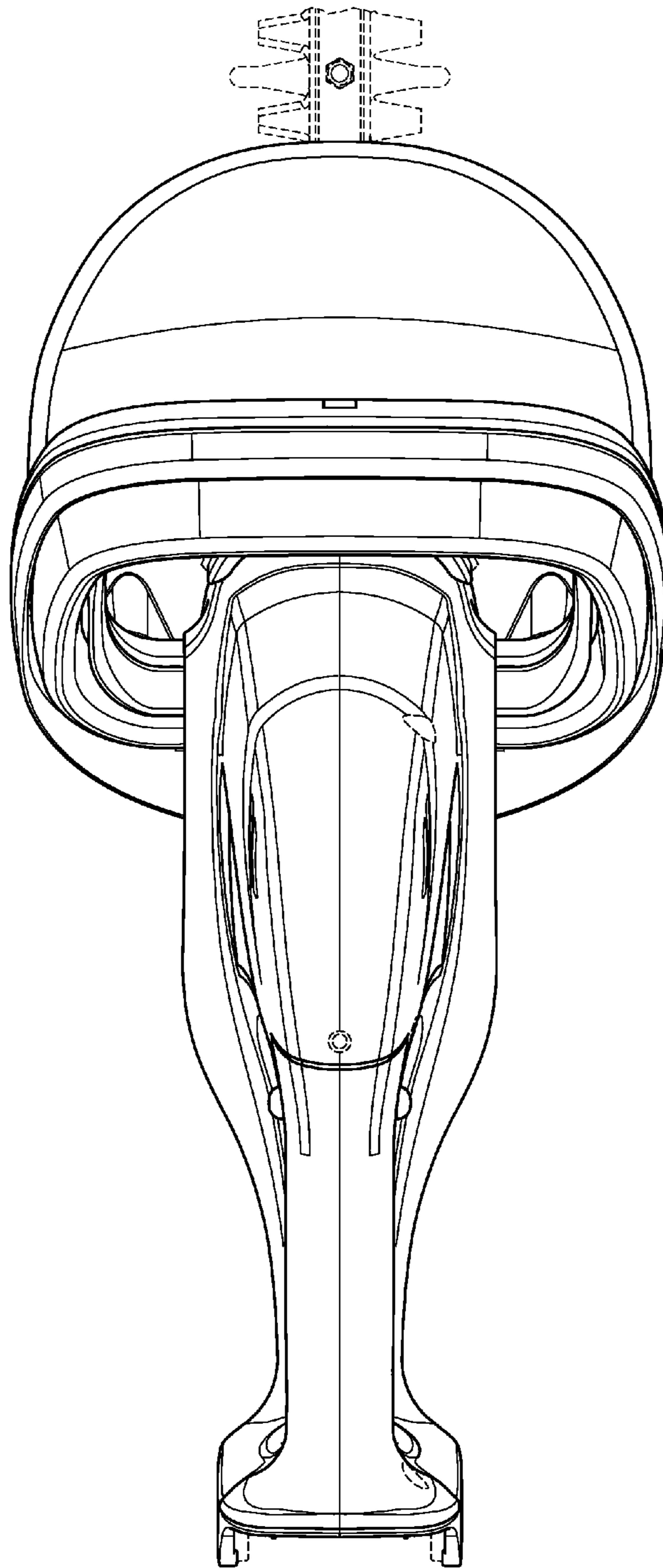


FIG. 4

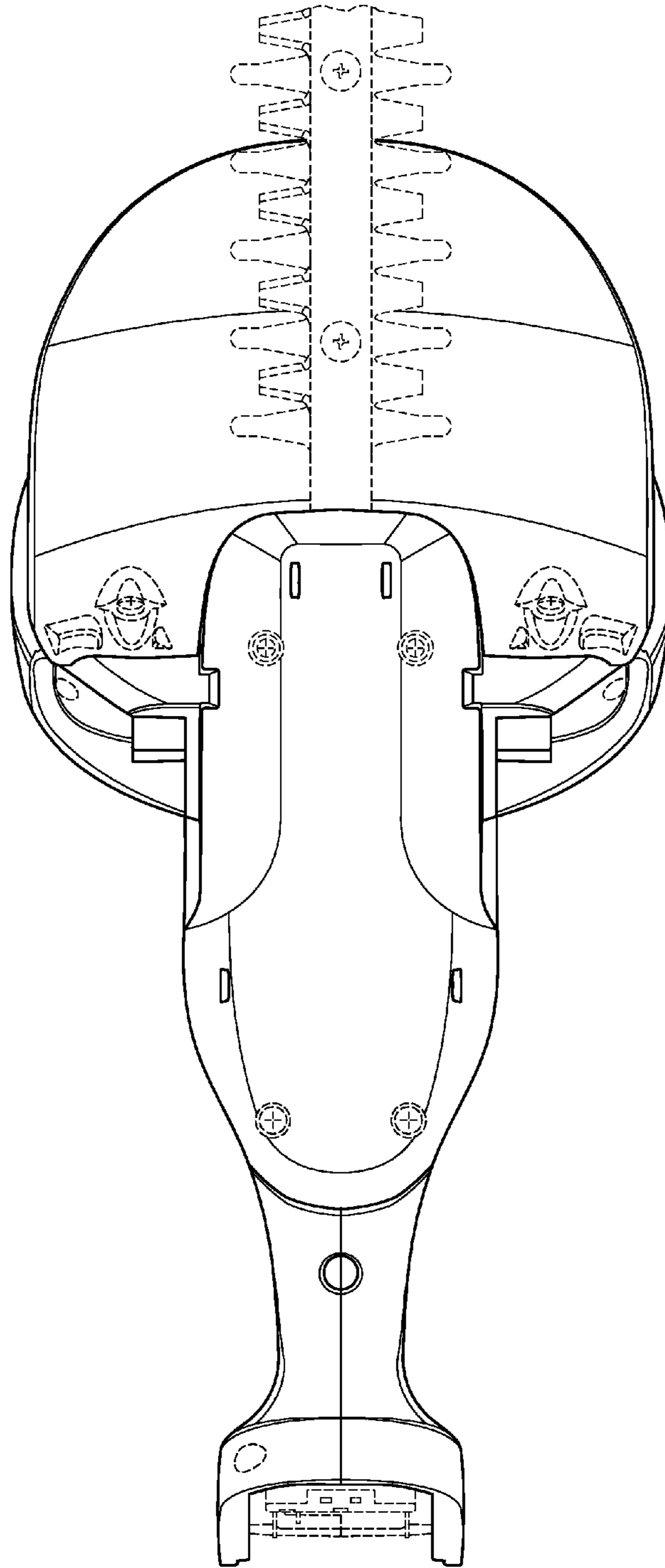


FIG. 5

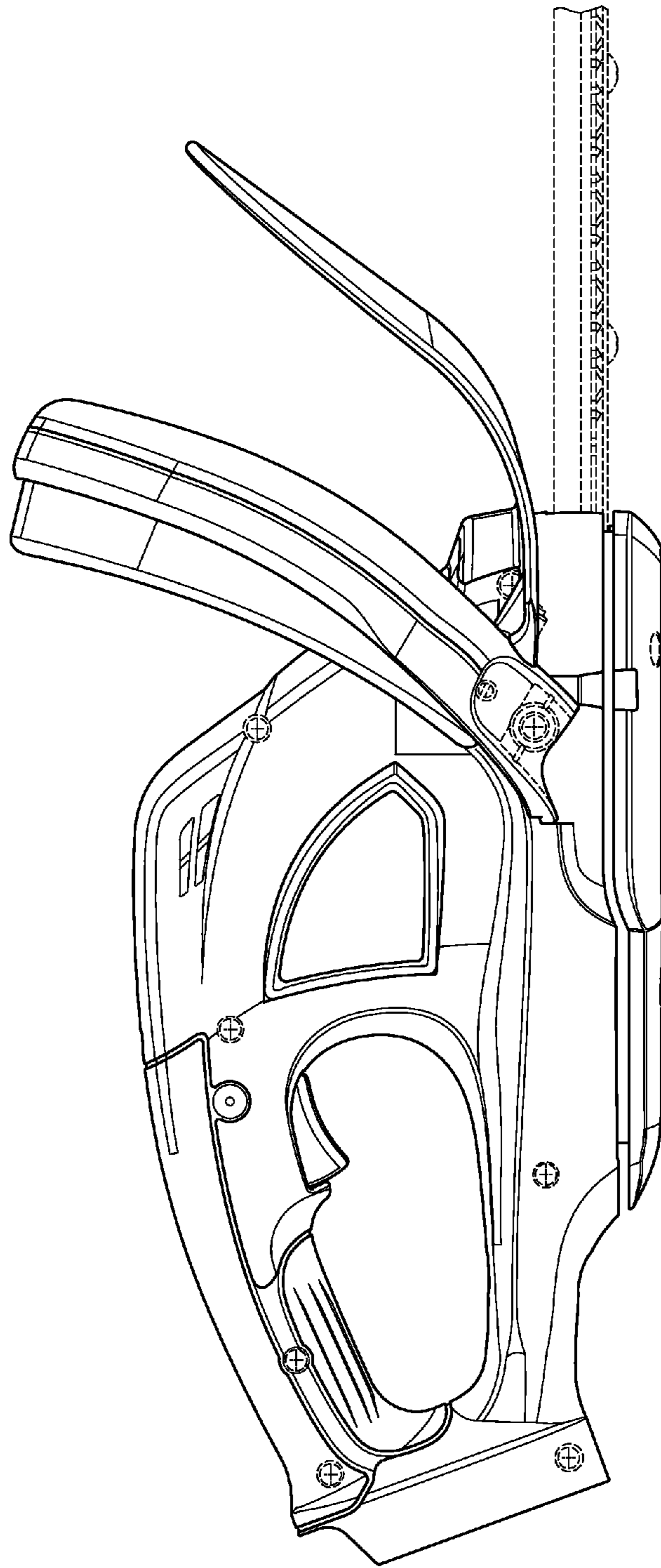


FIG. 6

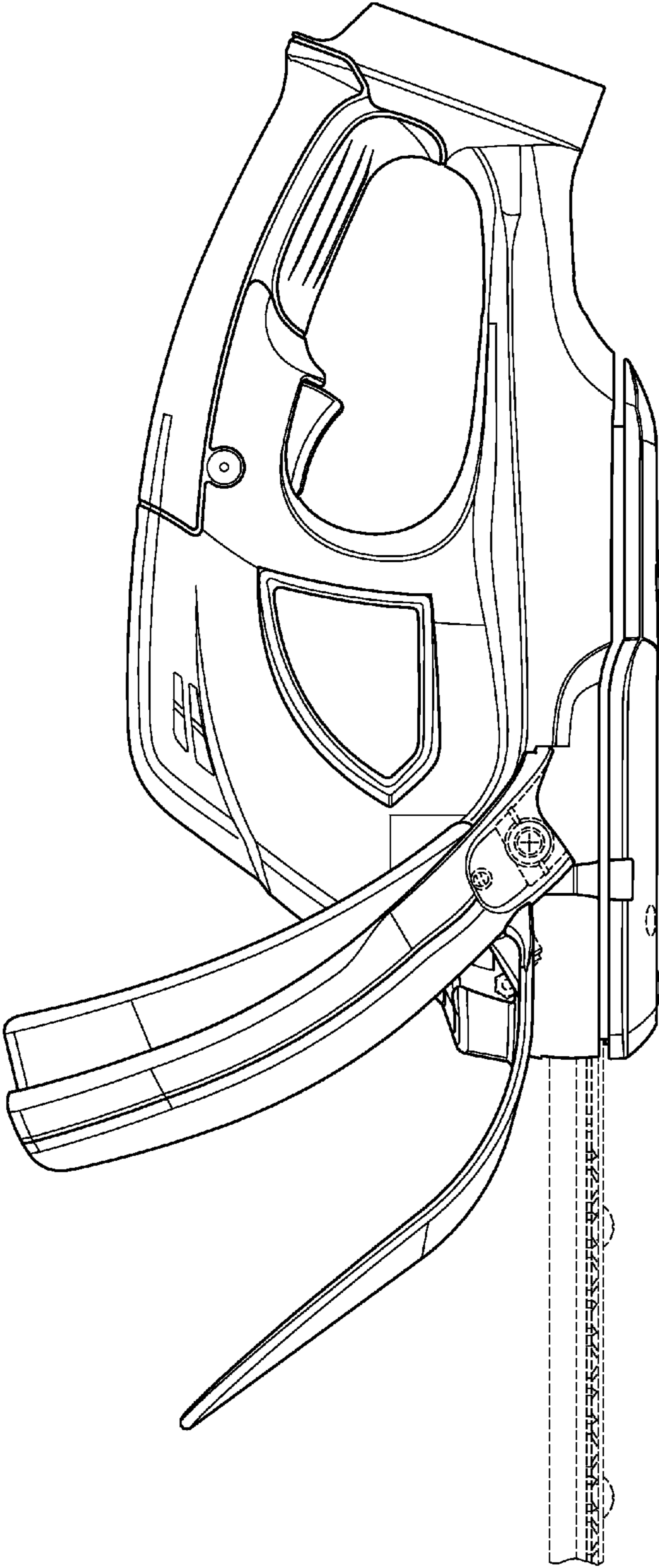
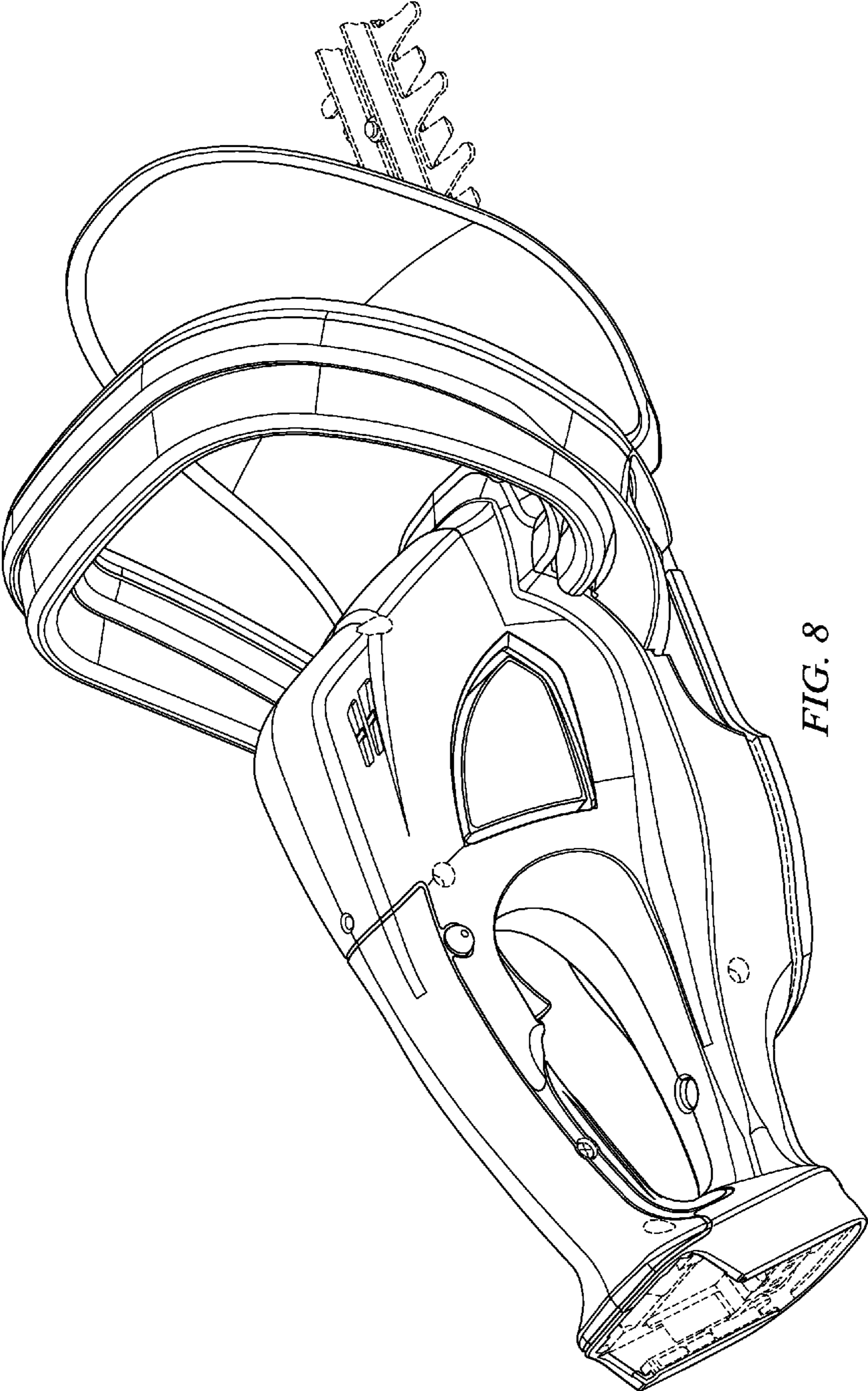


FIG. 7





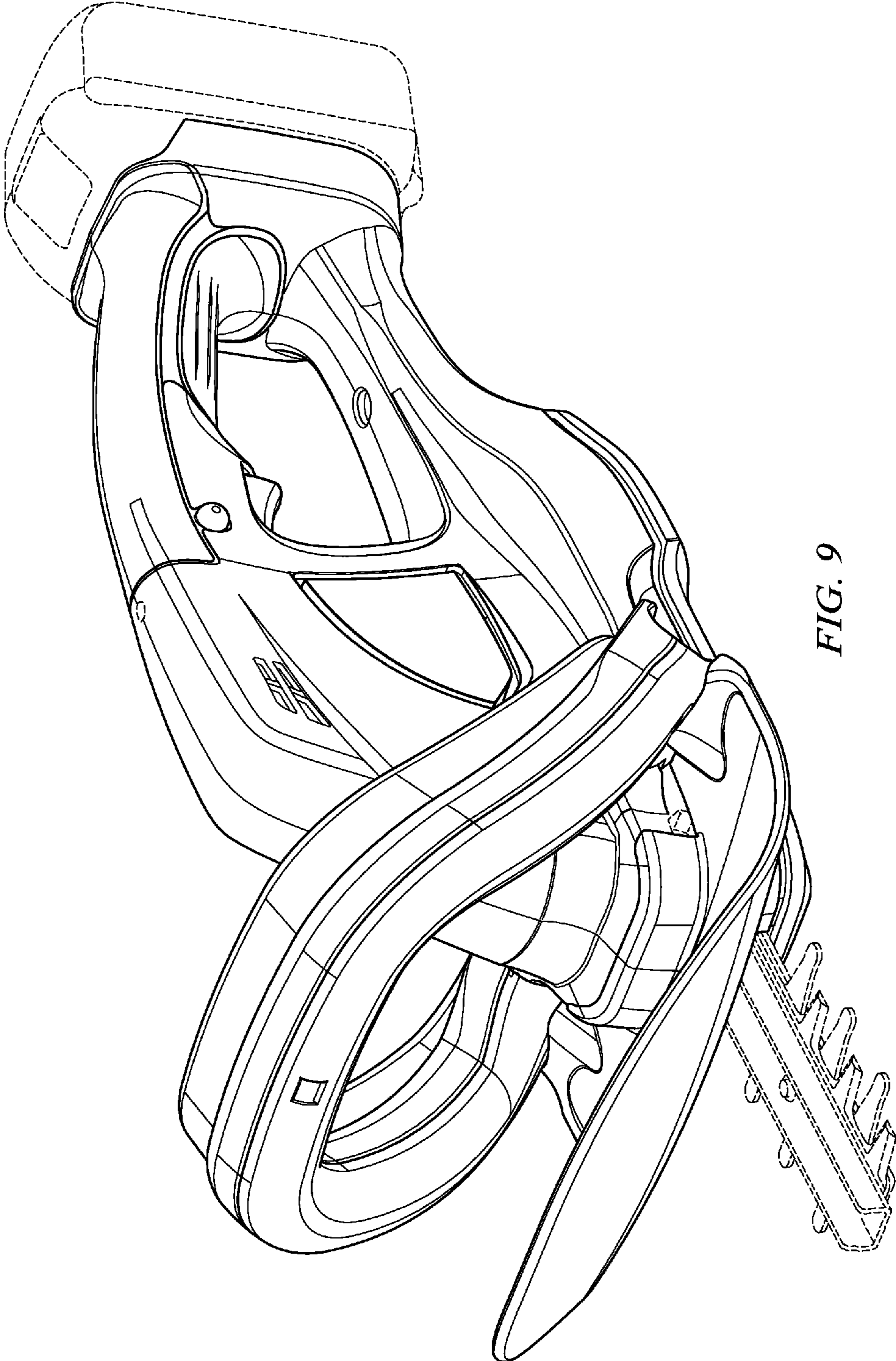


FIG. 9