



US00D668512S

(12) **United States Design Patent**
Roise

(10) **Patent No.:** **US D668,512 S**
(45) **Date of Patent:** **** Oct. 9, 2012**

(54) **HEDGE TRIMMER**

(75) Inventor: **Andrew Roise**, Scunthorpe North (GB)

(73) Assignee: **Chervon Limited**, Wanchai (HK)

(**) Term: **14 Years**

(21) Appl. No.: **29/386,299**

(22) Filed: **Feb. 28, 2011**

(30) **Foreign Application Priority Data**

Aug. 27, 2010 (CN) 2010 3 0291472

(51) **LOC (9) Cl.** **08-01**

(52) **U.S. Cl.** **D8/8**

(58) **Field of Classification Search** D8/7, 8,
D8/9; 30/208, 276, 228, 382, 383, 216; 56/12.7,
56/233-237; 172/13; D15/1

See application file for complete search history.

(56) **References Cited**

U.S. PATENT DOCUMENTS

D382,451 S *	8/1997	Kikuchi	D8/8
D505,844 S *	6/2005	Houghton	D8/8
7,204,026 B2 *	4/2007	Phillips et al.	30/394
D543,805 S *	6/2007	Houghton	D8/8
D623,909 S *	9/2010	Tate et al.	D8/8

FOREIGN PATENT DOCUMENTS

JP 2007275063 A * 10/2007

* cited by examiner

Primary Examiner — Sheryl Lane

(74) *Attorney, Agent, or Firm* — McDermott Will & Emery LLP

(57) **CLAIM**

I claim the ornamental design for a hedge trimmer, as shown and described.

DESCRIPTION

FIG. 1 is a left side view of a hedge trimmer according to the new design.

FIG. 2 is a right side view of the hedge trimmer shown in FIG. 1.

FIG. 3 is a rear view of the hedge trimmer shown in FIG. 1.

FIG. 4 is a front view of the hedge trimmer shown in FIG. 1.

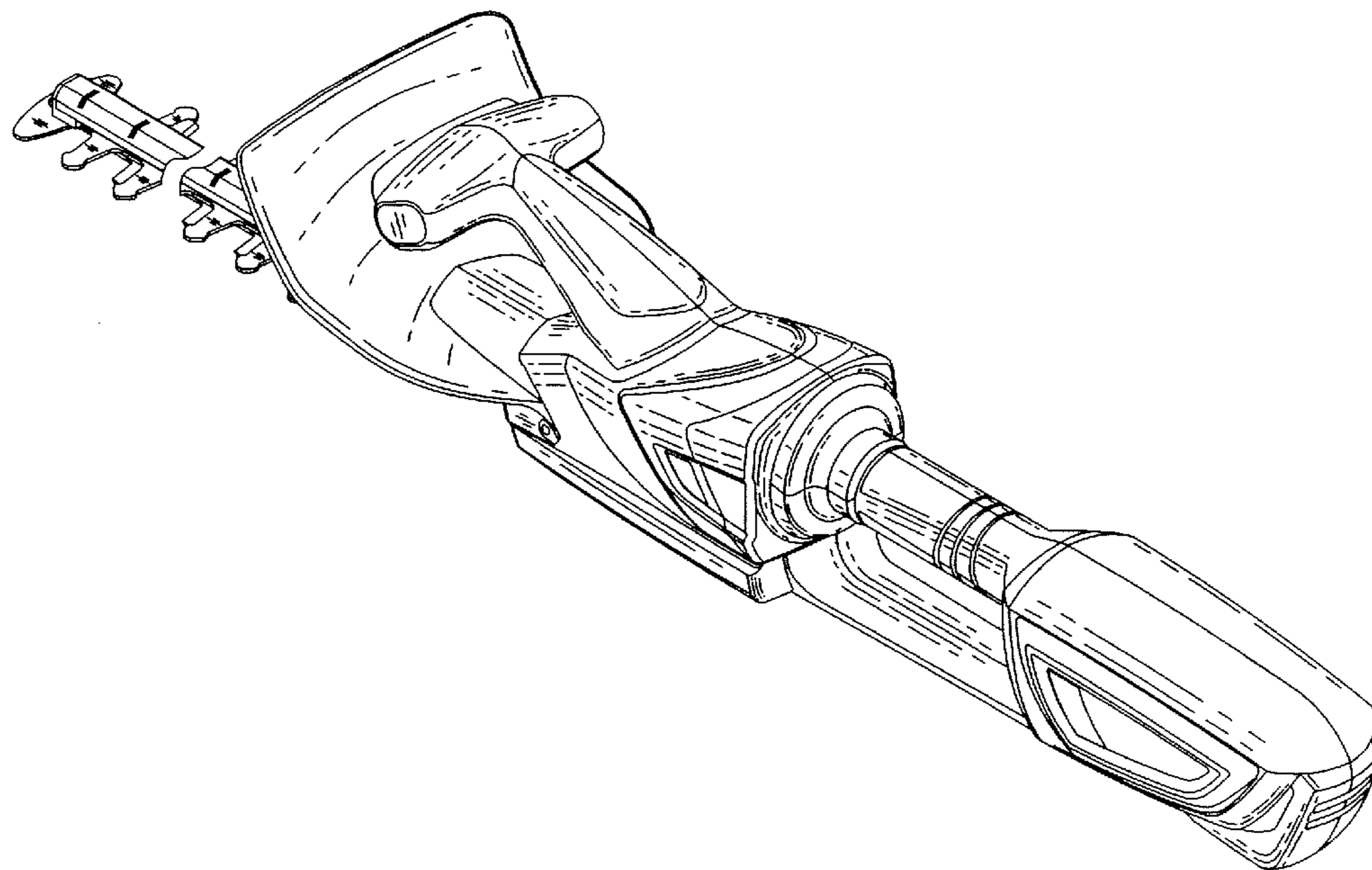
FIG. 5 is a top view of the shredder shown in FIG. 1.

FIG. 6 is a bottom view of the hedge trimmer shown in FIG. 1; and,

FIG. 7 is a side perspective view of the hedge trimmer shown in FIG. 1.

The appearance of the hedge trimmer between the break lines forms no part of the claimed design. The portions of the hedge trimmer shown in broken lines are to show portions of the article and form no part of the claimed design.

1 Claim, 6 Drawing Sheets



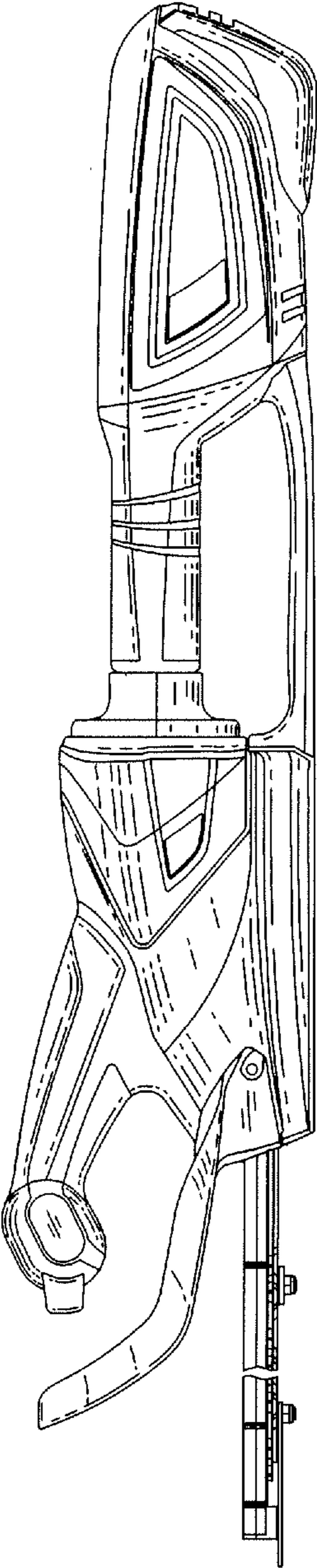


Fig. 1

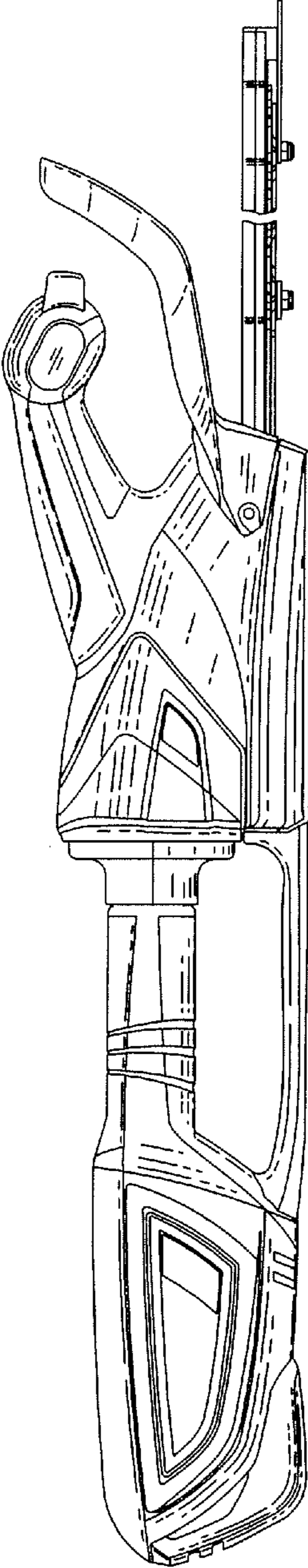


Fig. 2

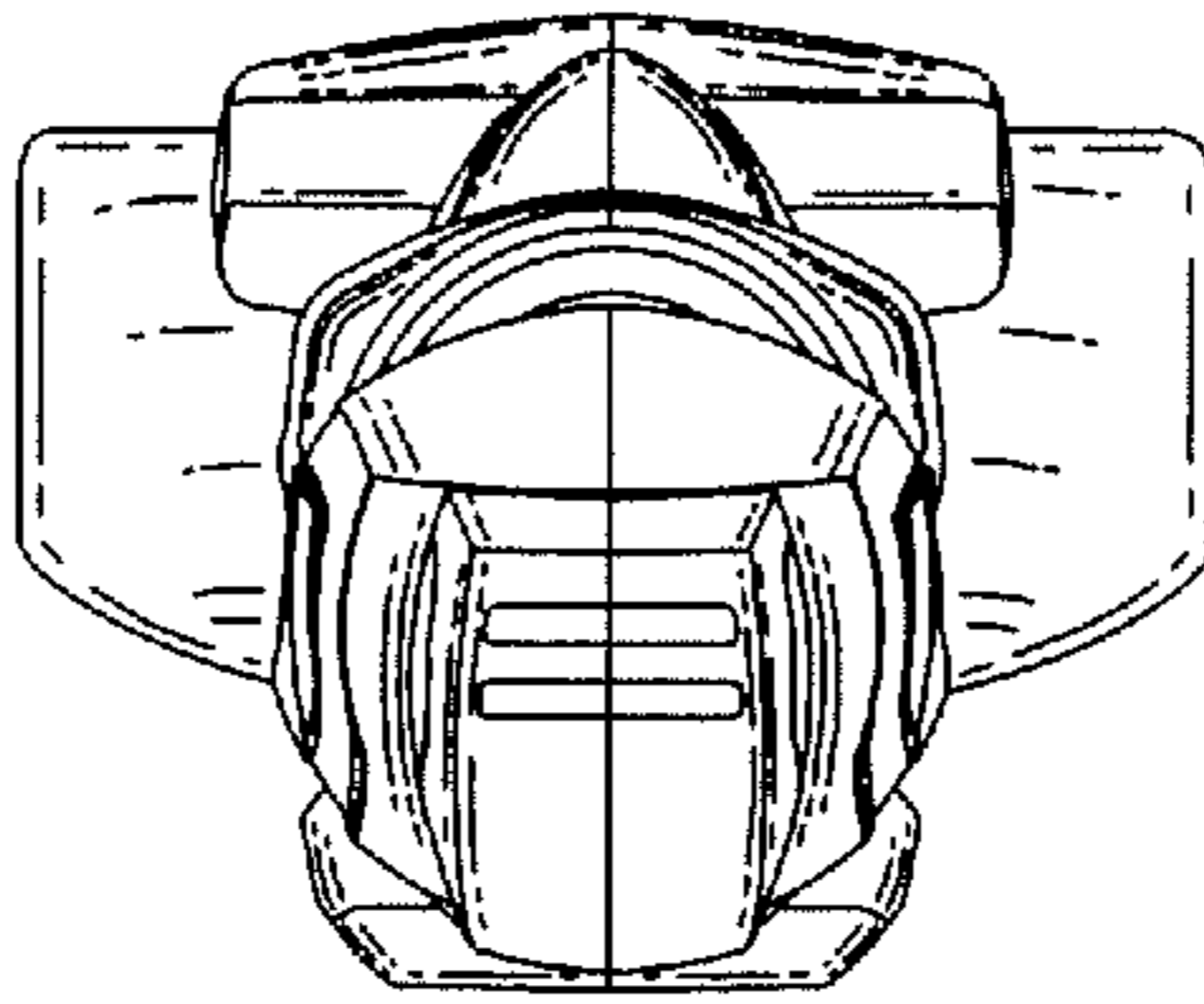


Fig. 3

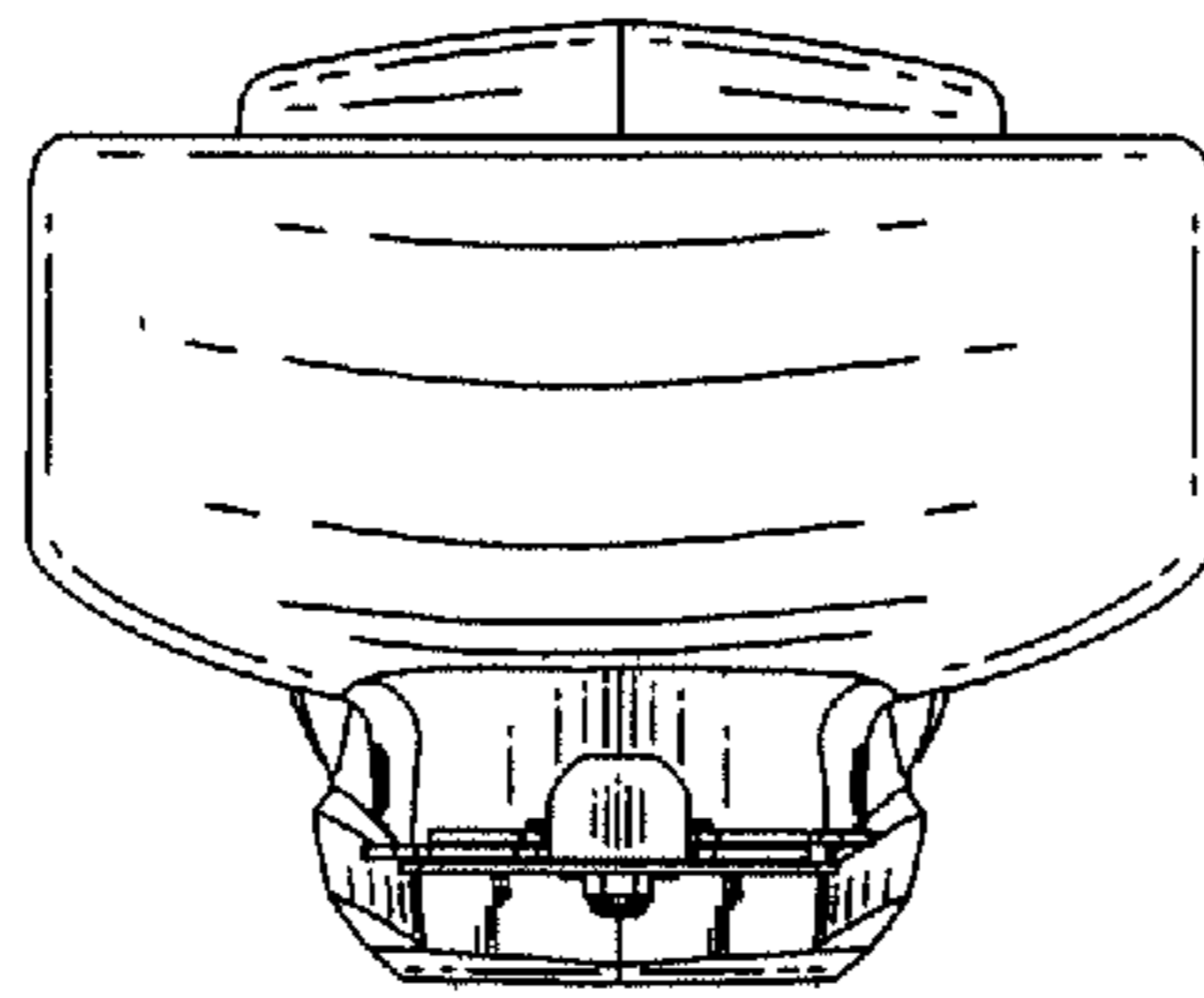


Fig. 4

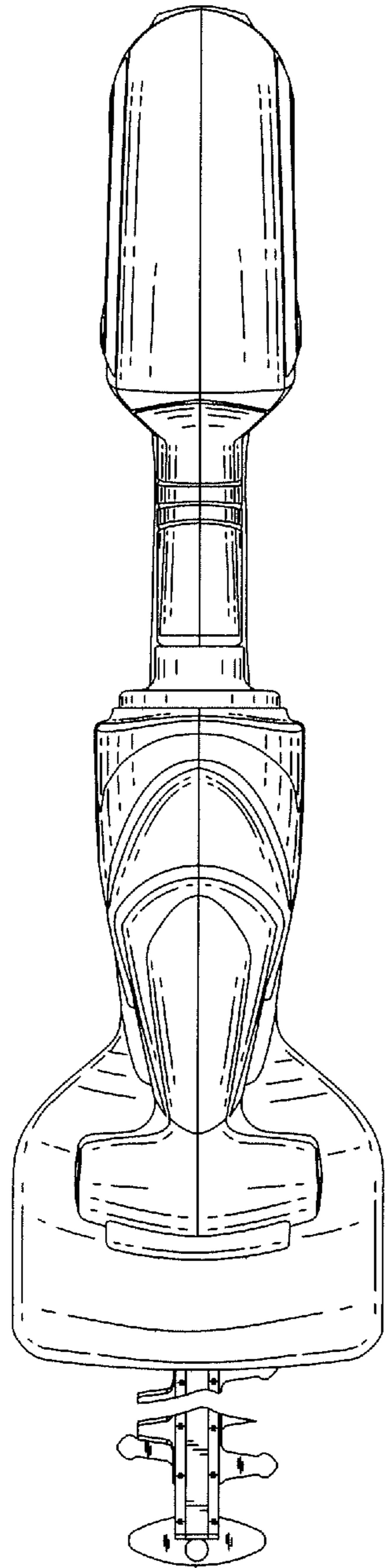


Fig. 5

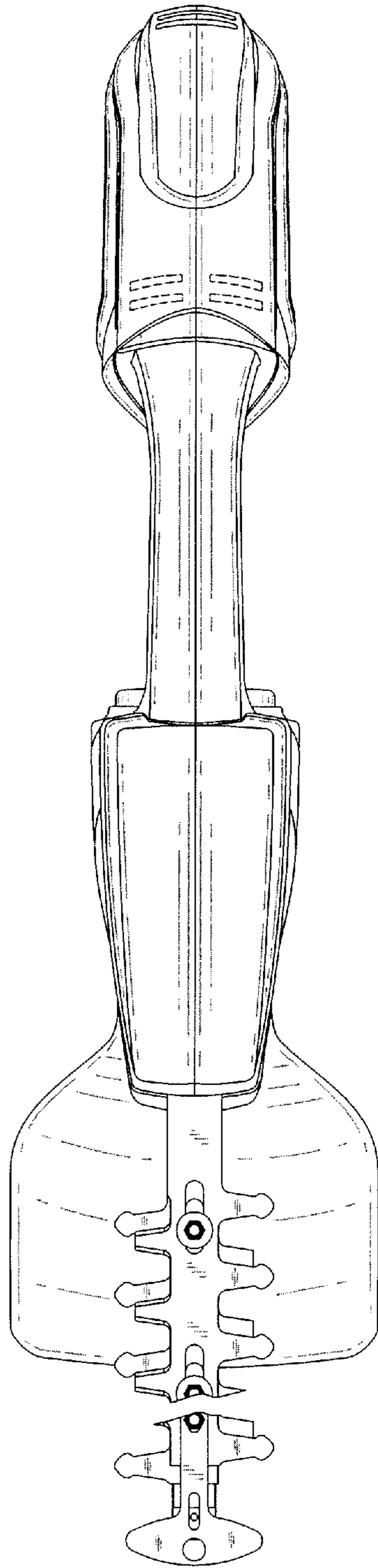


Fig. 6

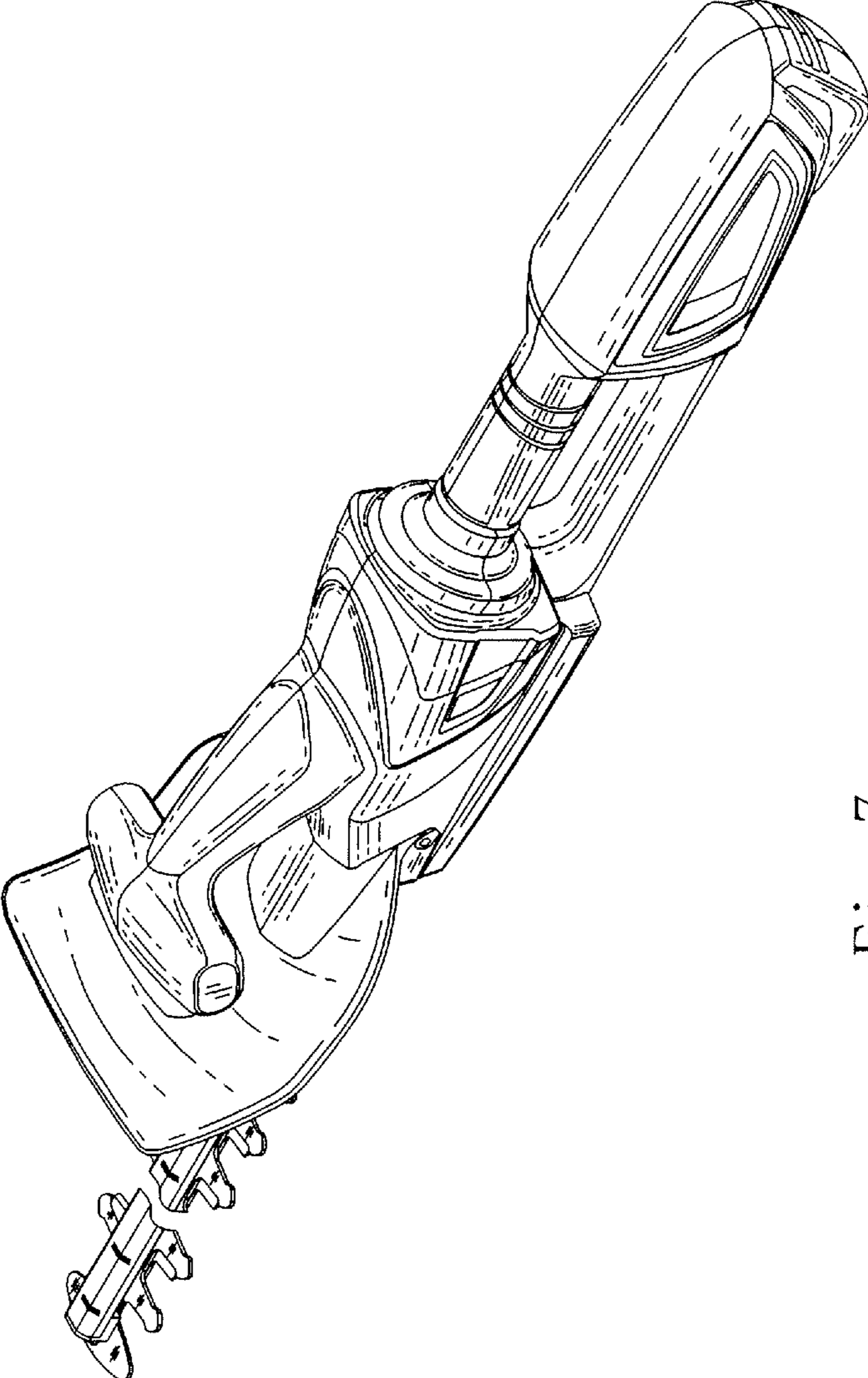


Fig. 7