

US00D668509S

(12) **United States Design Patent**
Beugelsdijk et al.

(10) **Patent No.:** **US D668,509 S**
(45) **Date of Patent:** **** Oct. 9, 2012**

(54) **CONTAINER FOR COFFEE BEANS**

(75) Inventors: **Maria Margaretha Agnes Beugelsdijk**,
Delfgauw (NL); **Gerbrand Kristiaan de Graaff**,
Hillegom (NL)

(73) Assignees: **Koninklijke Philips Electronics N.V.**,
Eindhoven (NL); **Sara Lee/DE B.V.**,
Utrecht (NL)

(**) Term: **14 Years**

(21) Appl. No.: **29/399,942**

(22) Filed: **Aug. 22, 2011**

(30) **Foreign Application Priority Data**

Feb. 24, 2011 (EM) 001826439-0003

(51) **LOC (9) Cl.** **07-01**

(52) **U.S. Cl.** **D7/615; D7/602; D7/400; D7/510**

(58) **Field of Classification Search** D7/538,
D7/615, 629, 601, 602, 612, 597, 509, 510,
D7/511, 399, 400; D9/504; 220/780, 806;
215/382; 99/286

See application file for complete search history.

(56) **References Cited**

U.S. PATENT DOCUMENTS

D129,604 S * 9/1941 Forgue D9/500
D267,071 S * 11/1982 Carlson D7/612
D352,210 S * 11/1994 Cousins et al. D7/612

D354,200 S * 1/1995 Grappolini D7/538
D375,655 S * 11/1996 King D7/511
D397,586 S * 9/1998 Bowers D7/615
D471,458 S * 3/2003 Booth et al. D9/504
D502,634 S * 3/2005 Yang et al. D7/615
D514,895 S * 2/2006 van Elderen D7/615
D515,927 S * 2/2006 Smay et al. D9/503
D516,429 S * 3/2006 Helps et al. D9/503
D519,322 S * 4/2006 Hutton D7/523
D530,616 S * 10/2006 Kipperman et al. D9/529
D553,308 S * 10/2007 Klein D30/199
D553,446 S * 10/2007 Yang et al. D7/615
D557,076 S * 12/2007 Wahl D7/629
D567,089 S * 4/2008 Glydon et al. D9/504
D582,730 S * 12/2008 Kim D7/615
D590,667 S * 4/2009 Trombly D7/629

* cited by examiner

Primary Examiner — Marianne Pandozzi

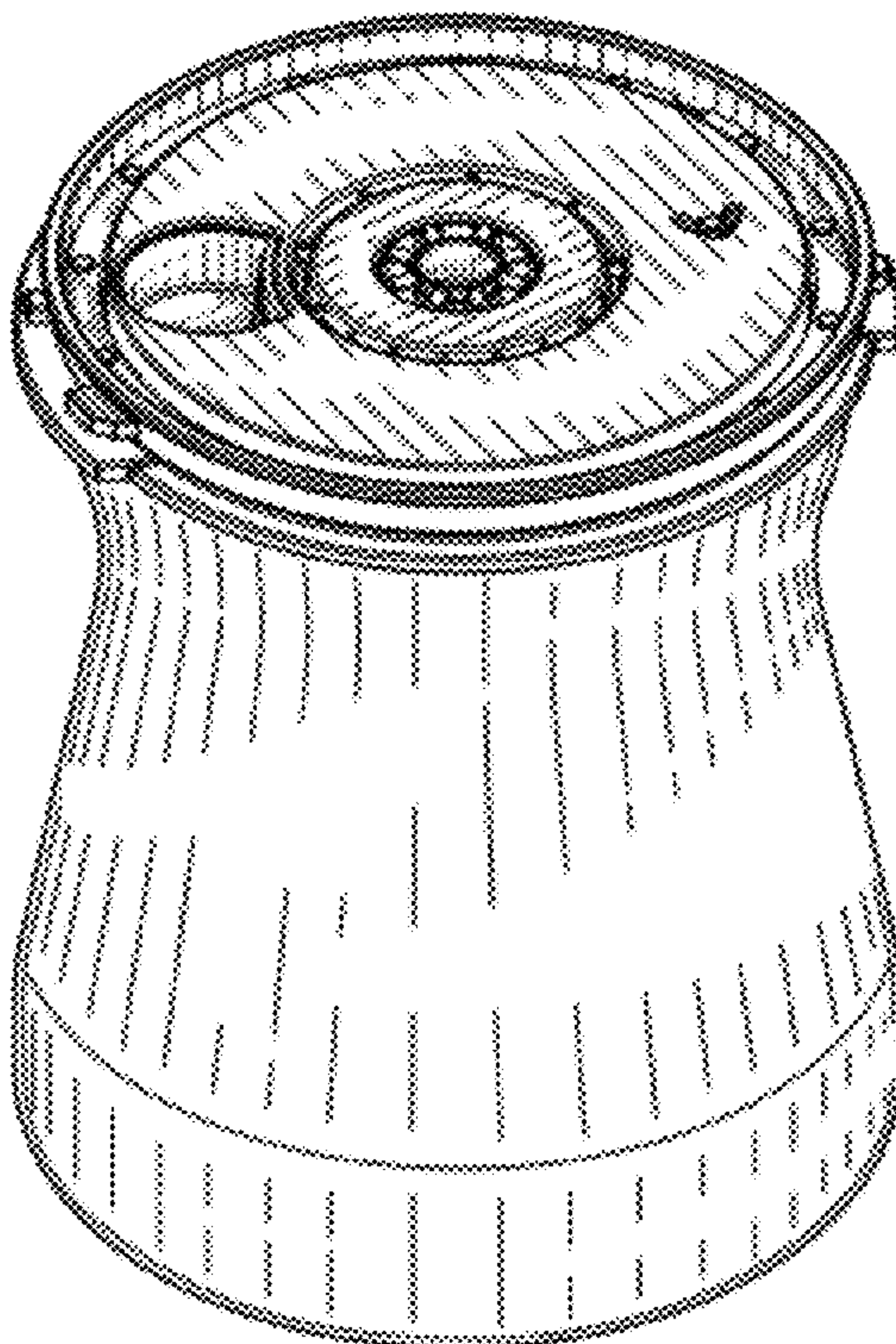
(57) **CLAIM**

The ornamental design for a container for coffee beans, as shown.

DESCRIPTION

FIG. 1 is a perspective view showing my design;
FIG. 2 is a front elevational view thereof;
FIG. 3 is a rear elevational view thereof;
FIG. 4 is a right side elevational view thereof;
FIG. 5 is a left side elevational view thereof;
FIG. 6 is a top plan view thereof; and,
FIG. 7 is a bottom plan view thereof.

1 Claim, 4 Drawing Sheets



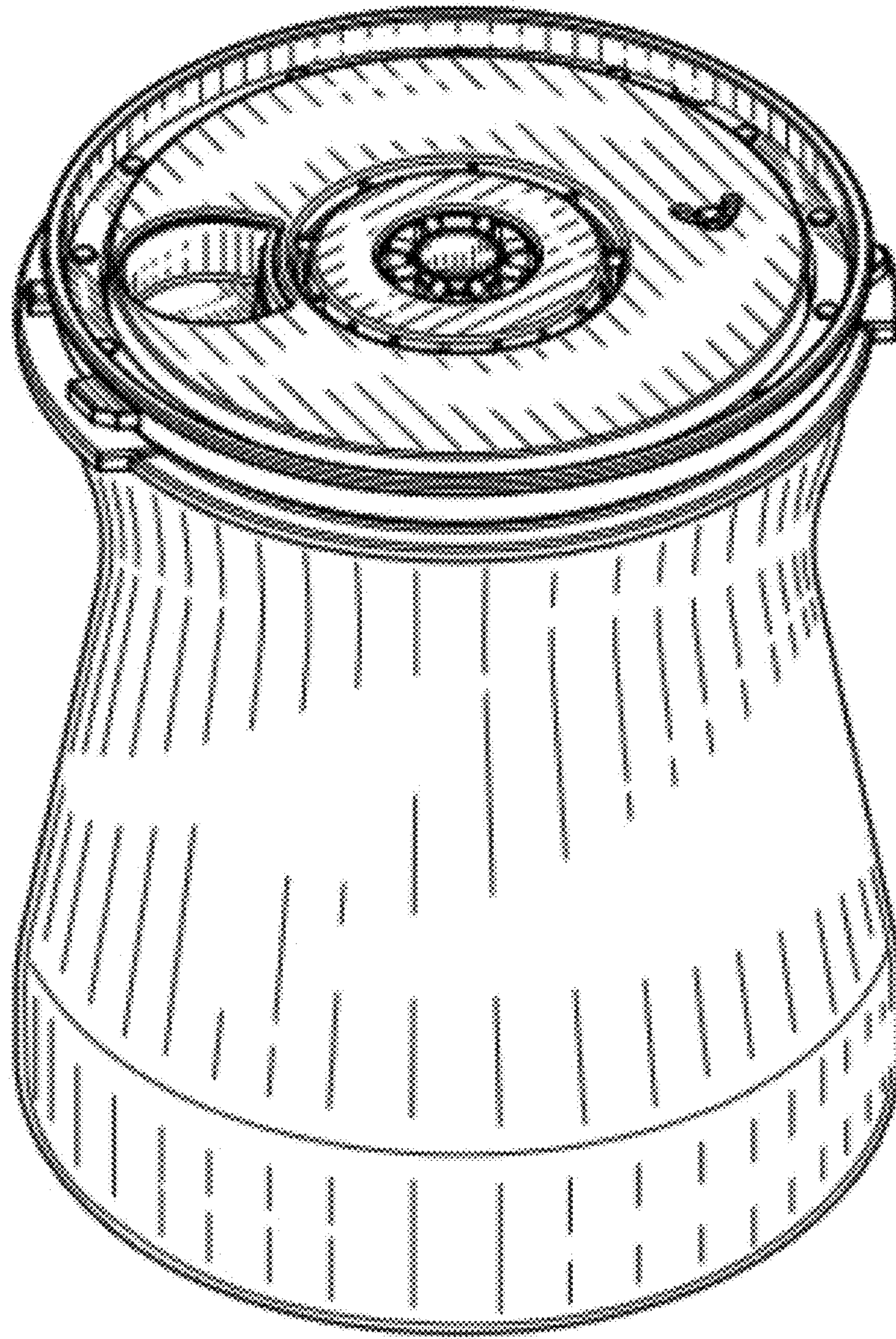


FIG. 1

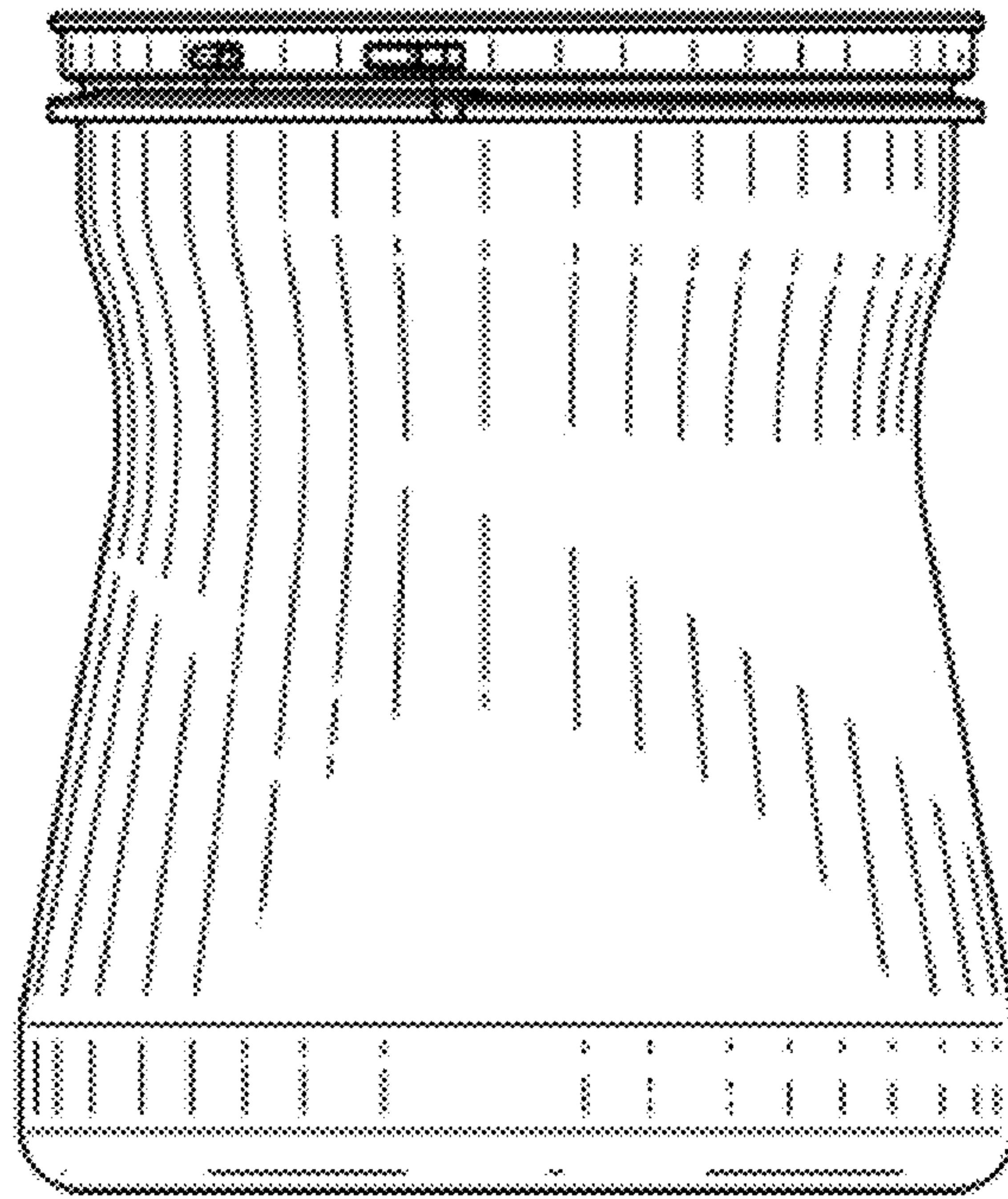


FIG. 2

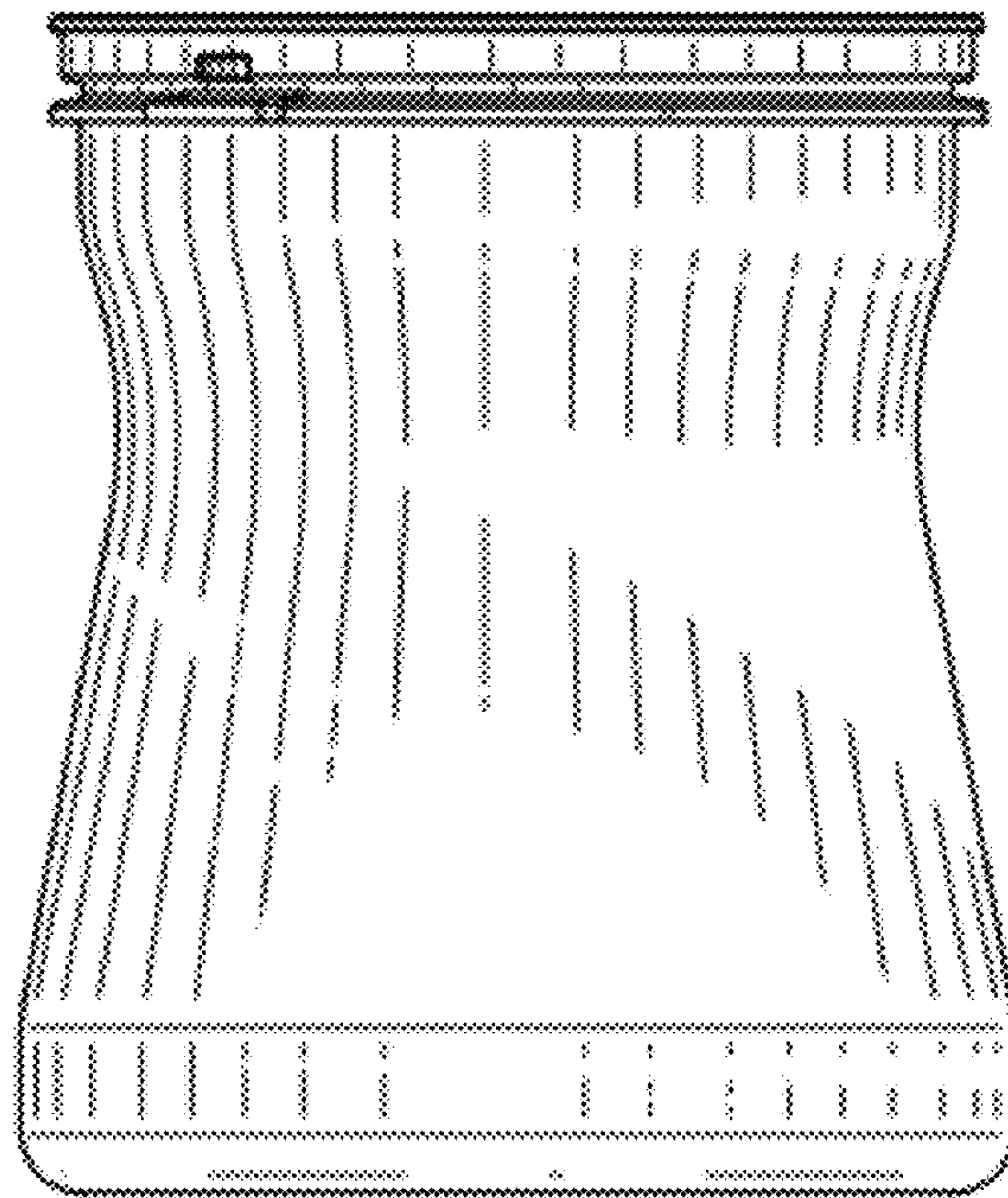


FIG. 3

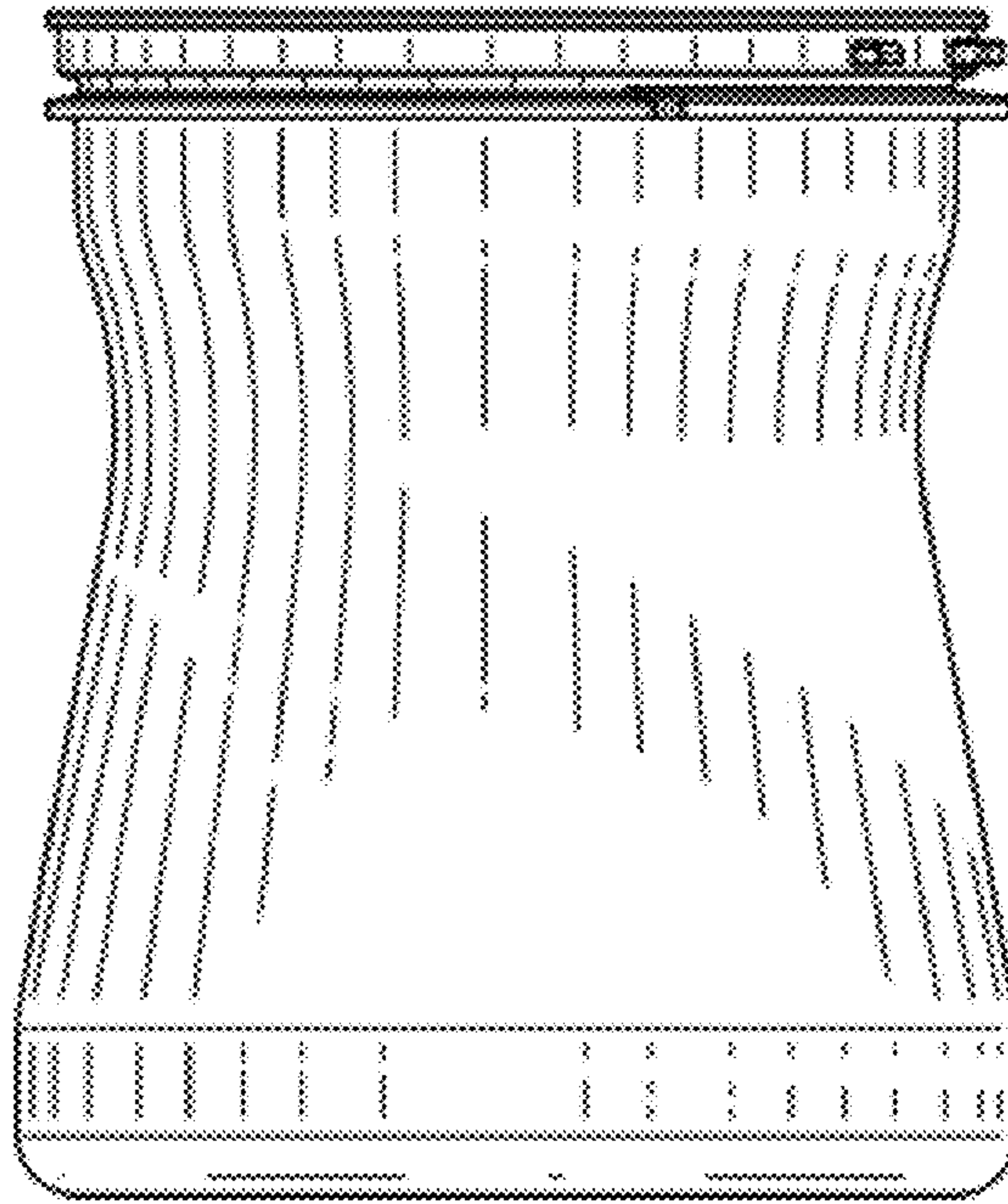


FIG. 4

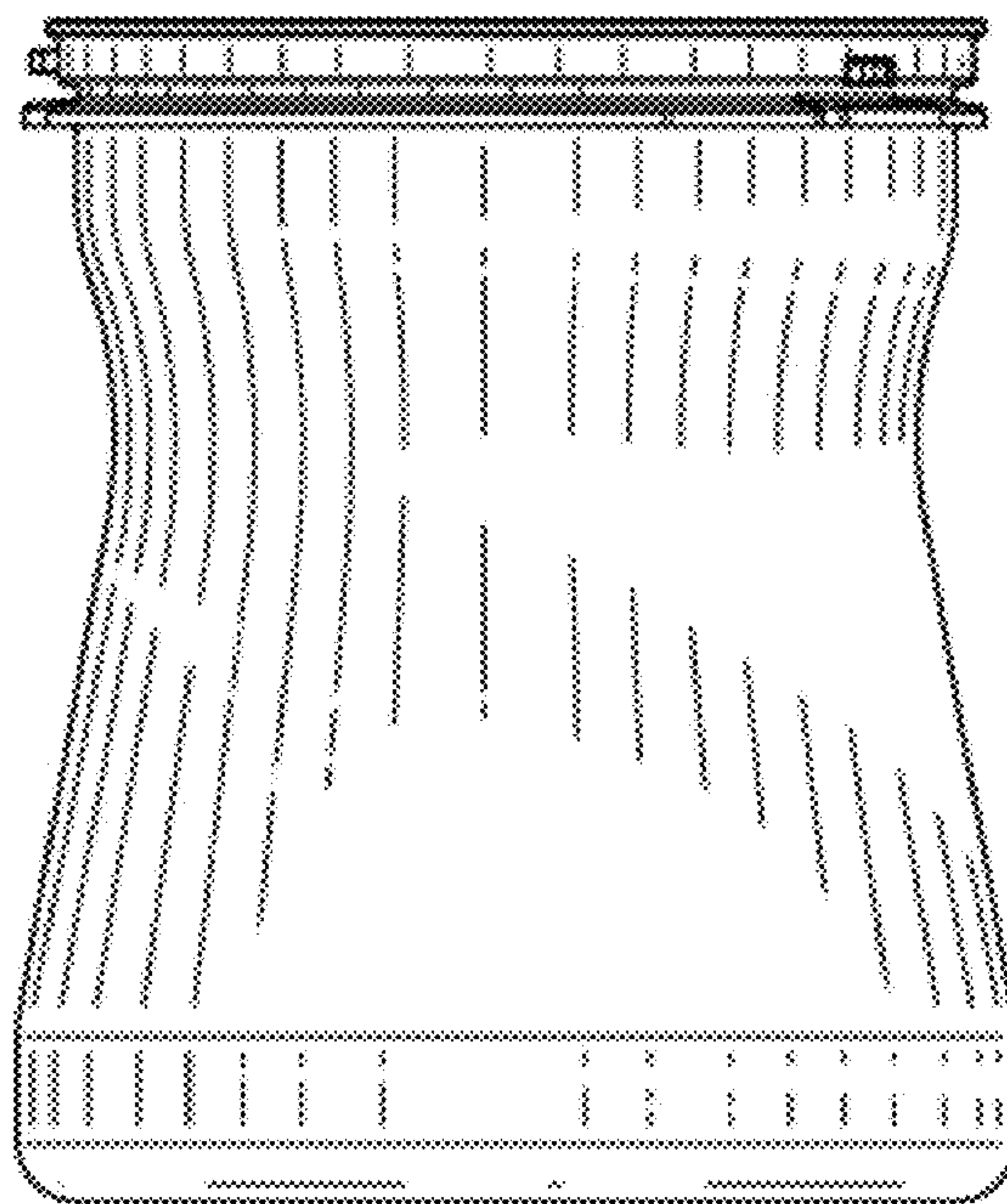


FIG. 5

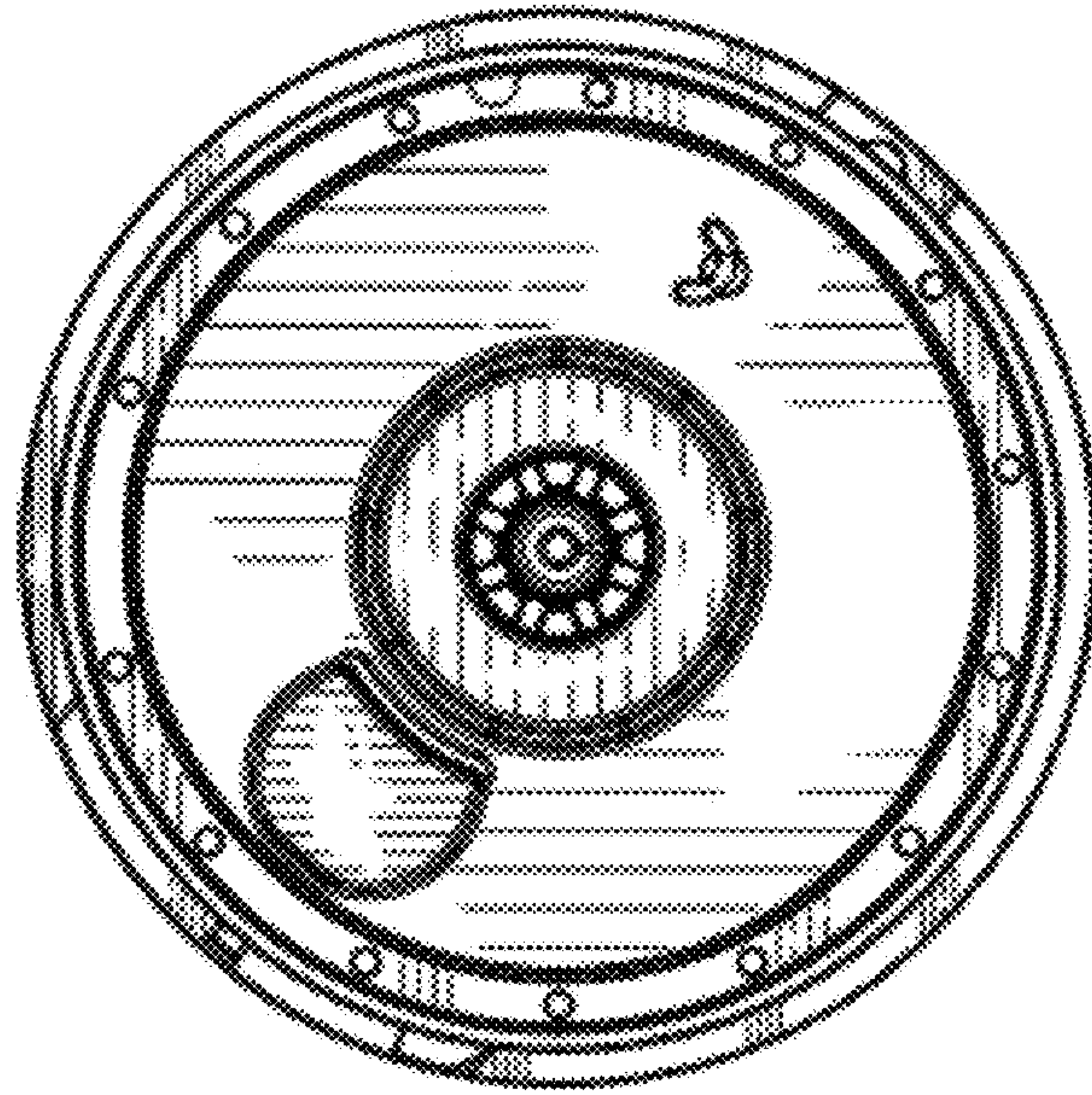


FIG. 6

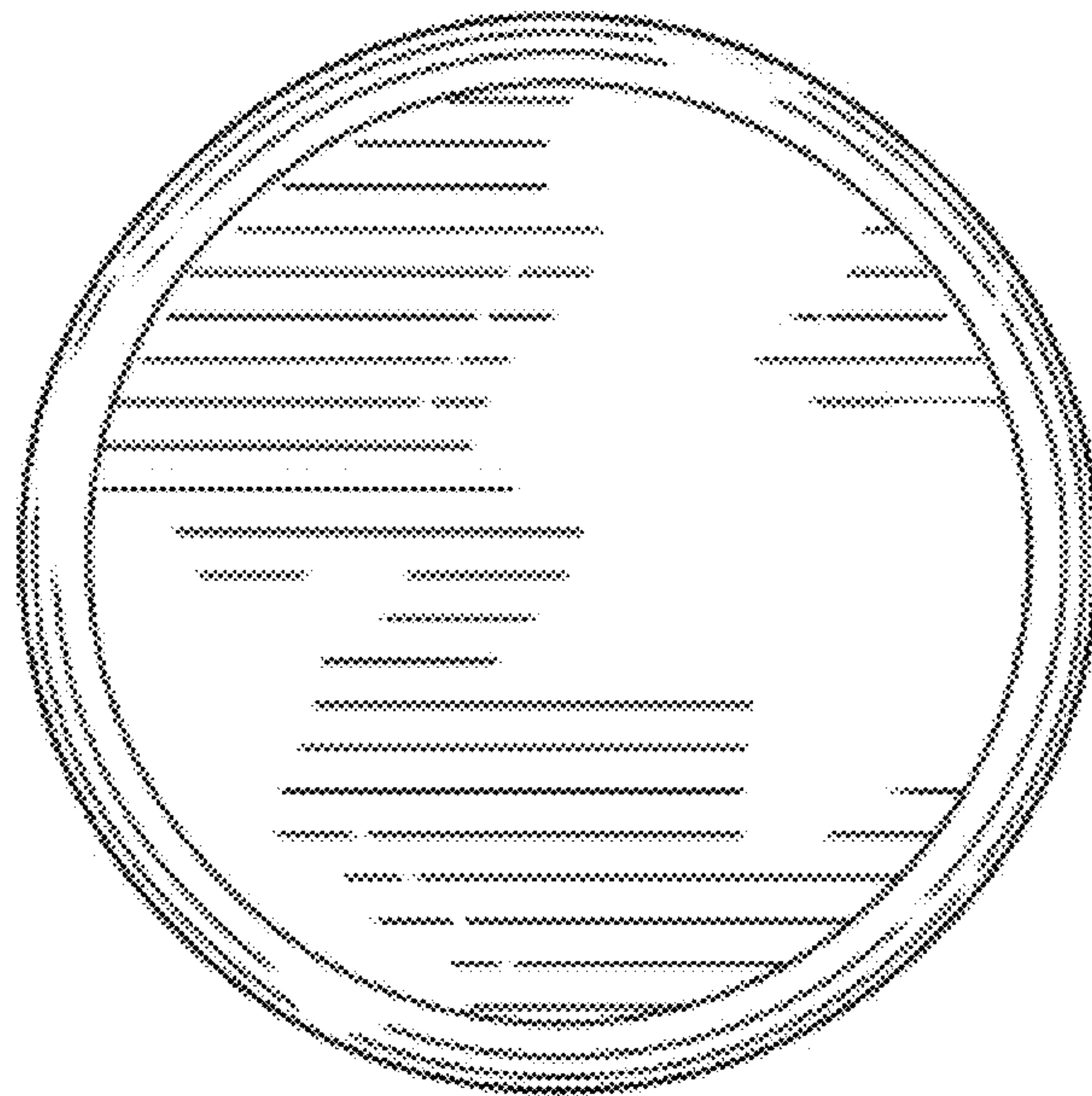


FIG. 7