

US00D668506S

(12) **United States Design Patent**
Zemel

(10) **Patent No.:** **US D668,506 S**

(45) **Date of Patent:** **** Oct. 9, 2012**

(54) **GRILL TOPPER**

(75) Inventor: **Marc Zemel**, Melville, NY (US)

(73) Assignee: **Mr. BAR-B-Q-, Inc.**, Old Bethpage, NY (US)

(**) Term: **14 Years**

(21) Appl. No.: **29/410,077**

(22) Filed: **Jan. 4, 2012**

(51) **LOC (9) Cl.** **07-02**

(52) **U.S. Cl.** **D7/409**

(58) **Field of Classification Search** D3/323;
D6/601; D7/323, 329–331, 337, 339, 346–347,
D7/350.1–350.4, 352–367, 391, 393, 395,
D7/402, 409, 505, 538, 542, 554.3; D9/456;
D15/89; D24/227; 99/324–326, 331–332,
99/337–340, 349, 369, 372, 396, 400–419,
99/425–426, 444–450, 483; 126/37 R, 39 B,
126/41 R, 261, 332, 378.1; 206/501–505,
206/507–508; 219/386, 400, 405, 429–442,
219/450.1, 620–624, 725, 730–735; 220/315,
220/573.1–573.5, 912; 426/438, 441
See application file for complete search history.

D241,777 S *	10/1976	Allman et al.	D15/89
D271,072 S *	10/1983	Mjelde	D7/505
4,428,281 A *	1/1984	Miller	99/445
4,432,334 A	2/1984	Holt		
4,930,491 A *	6/1990	Purello	126/332
D341,292 S *	11/1993	Johnston	D7/409
5,299,931 A	4/1994	Lee		
5,453,574 A *	9/1995	Zuran et al.	126/41 R
D378,561 S *	3/1997	Ferris et al.	D7/554.3
D387,874 S *	12/1997	Vila	D24/227
5,870,946 A *	2/1999	Dudley	99/426
D423,867 S	5/2000	Cael et al.		
6,065,384 A	5/2000	Widder		
6,164,194 A	12/2000	Westmoreland		
D463,202 S *	9/2002	Smith	D7/359
D463,667 S *	10/2002	Hwang	D3/323
6,457,594 B1	10/2002	Tiemann		
6,481,343 B1 *	11/2002	Rigney et al.	99/396
7,339,138 B1	3/2008	Brooks		
7,340,994 B2 *	3/2008	Bruno et al.	99/450

(Continued)

Primary Examiner — Ricky Pham

(74) *Attorney, Agent, or Firm* — Carter, DeLuca, Farrell & Schmidt LLP

(57) **CLAIM**

The ornamental design for a grill topper, as shown and described.

DESCRIPTION

FIG. 1 is a front side perspective view of a grill topper in accordance with the present design; FIG. 2 is a right side elevational view thereof; FIG. 3 is a left side elevational view thereof; FIG. 4 is a front elevational view thereof; FIG. 5 is a rear elevational view thereof; FIG. 6 is a top plan view thereof; and, FIG. 7 is a bottom view thereof.

The broken lines shown are included for the purpose of illustrating a portion of the grill topper that forms no part of the claimed design.

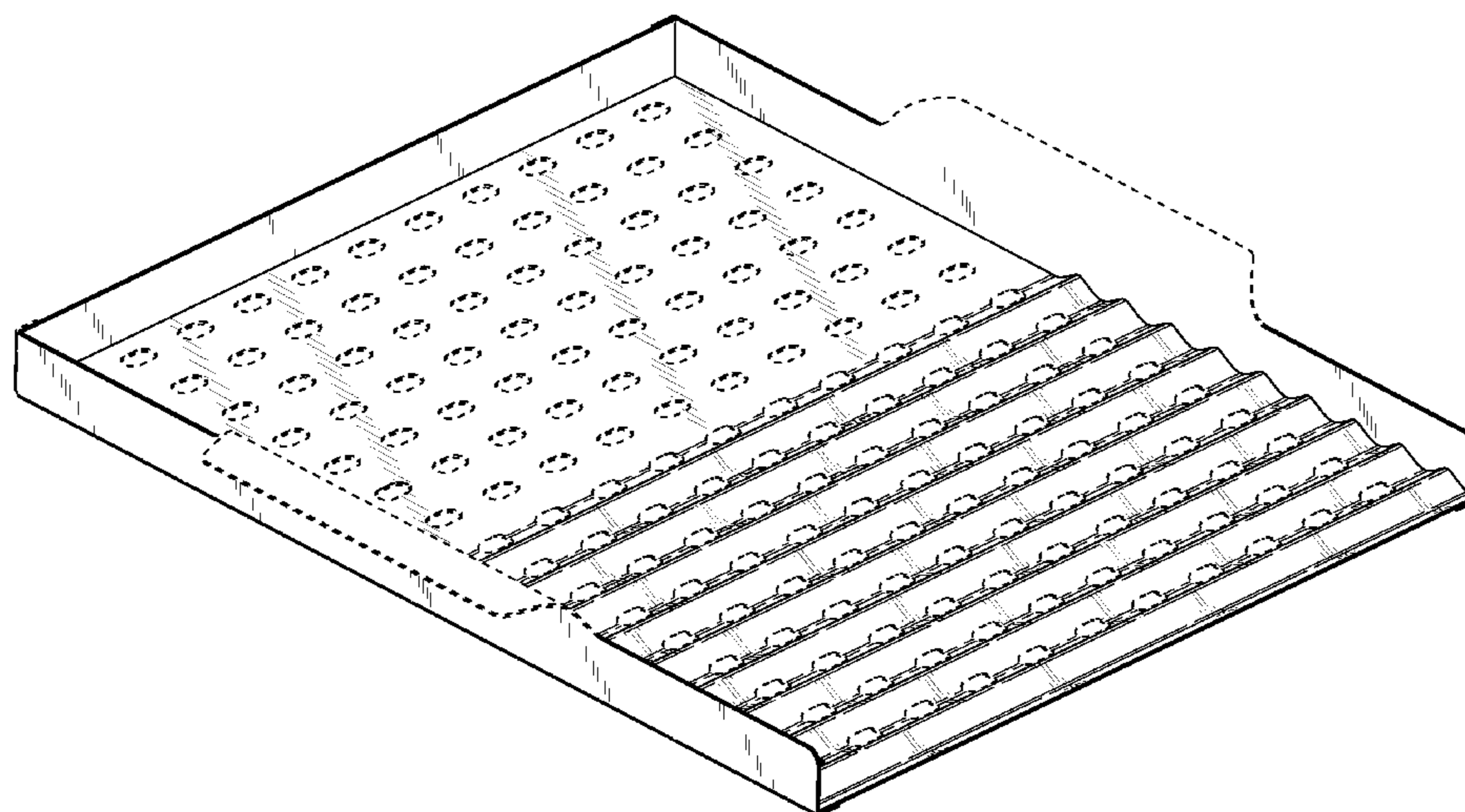
The stippling in the drawings is for shading purposes only.

1 Claim, 5 Drawing Sheets

(56) **References Cited**

U.S. PATENT DOCUMENTS

386,599 A	7/1888	Neville
828,330 A	8/1900	Mooney
747,700 A	12/1903	Grimm
1,091,877 A	3/1914	Collis
1,345,119 A	6/1920	Biddle
1,386,643 A	8/1921	Mironchuk
2,323,916 A	7/1943	Katz
2,501,104 A	3/1950	Smith
2,614,514 A	10/1952	Martindale et al.
D179,054 S	10/1956	Beeler
2,780,163 A	2/1957	Lee
2,986,138 A	11/1957	Moore et al.
3,075,798 A	1/1963	Smith
3,084,617 A	4/1963	Jamentz



US D668,506 S

Page 2

U.S. PATENT DOCUMENTS

D566,556 S *	4/2008	Baker et al.	D9/456	D621,217 S	8/2010	Zemel	
D569,160 S *	5/2008	Mossbeck	D6/601	D635,825 S *	4/2011	Borovicka et al.	D7/409
D588,399 S *	3/2009	Vrbaneck	D7/359	7,946,223 B2 *	5/2011	Raichlen et al.	99/419
7,587,973 B2	9/2009	Kaliveh et al.		8,037,879 B2 *	10/2011	Murrin et al.	126/39 B
D604,556 S *	11/2009	Zemel	D7/359	D650,632 S *	12/2011	Zemel	D7/409
D608,146 S *	1/2010	Zemel	D7/409	D651,043 S *	12/2011	Sarnoff et al.	D7/409
D618,043 S *	6/2010	Zemel	D7/359	D655,130 S *	3/2012	Sarnoff et al.	D7/354
D618,957 S	7/2010	Zemel		D658,942 S *	5/2012	Borovicka et al.	D7/409
D620,307 S	7/2010	Zemel					

* cited by examiner

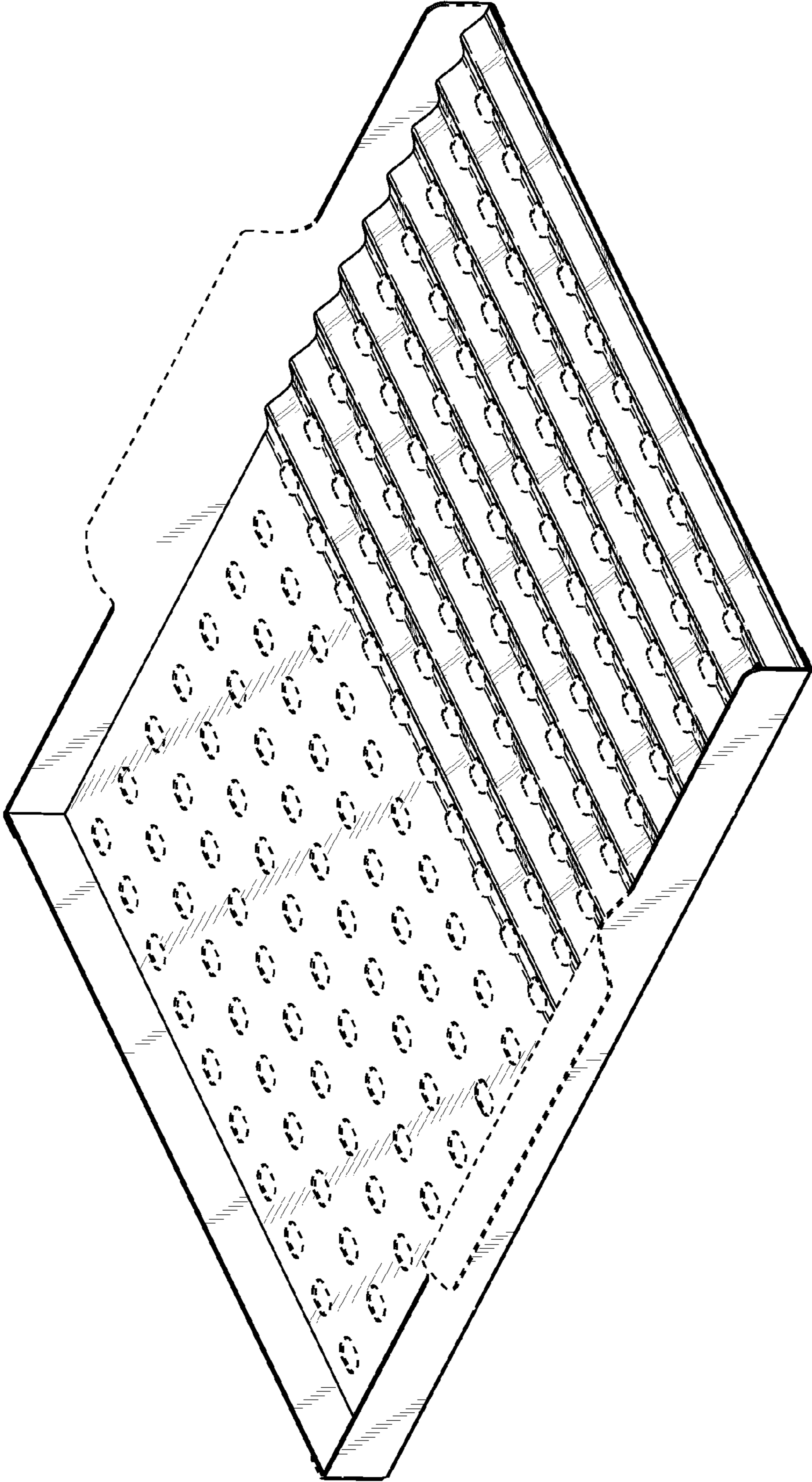


FIG. 1



FIG. 2

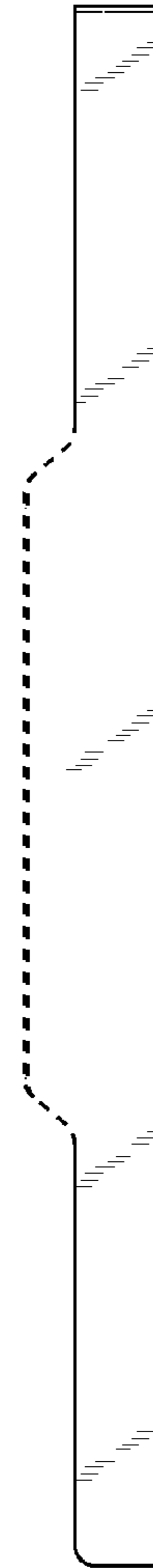


FIG. 3

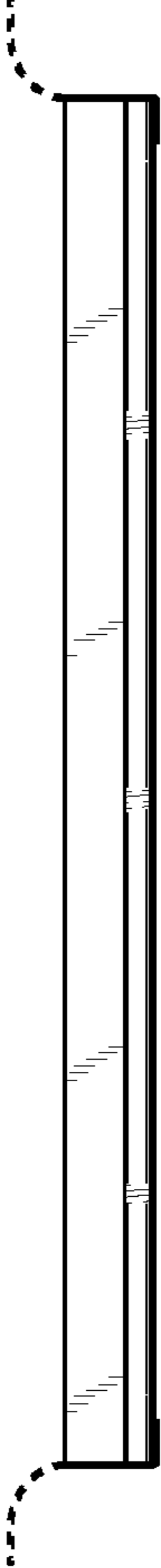


FIG. 4

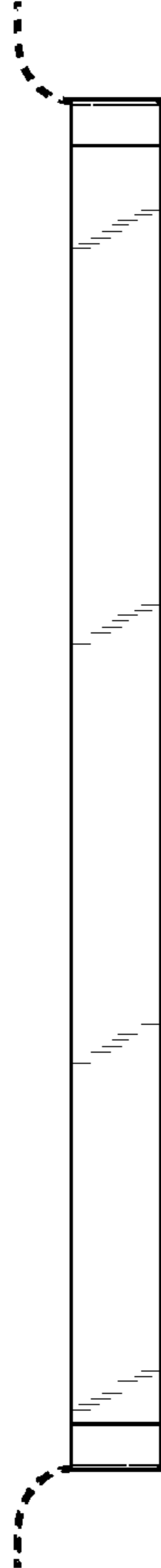


FIG. 5

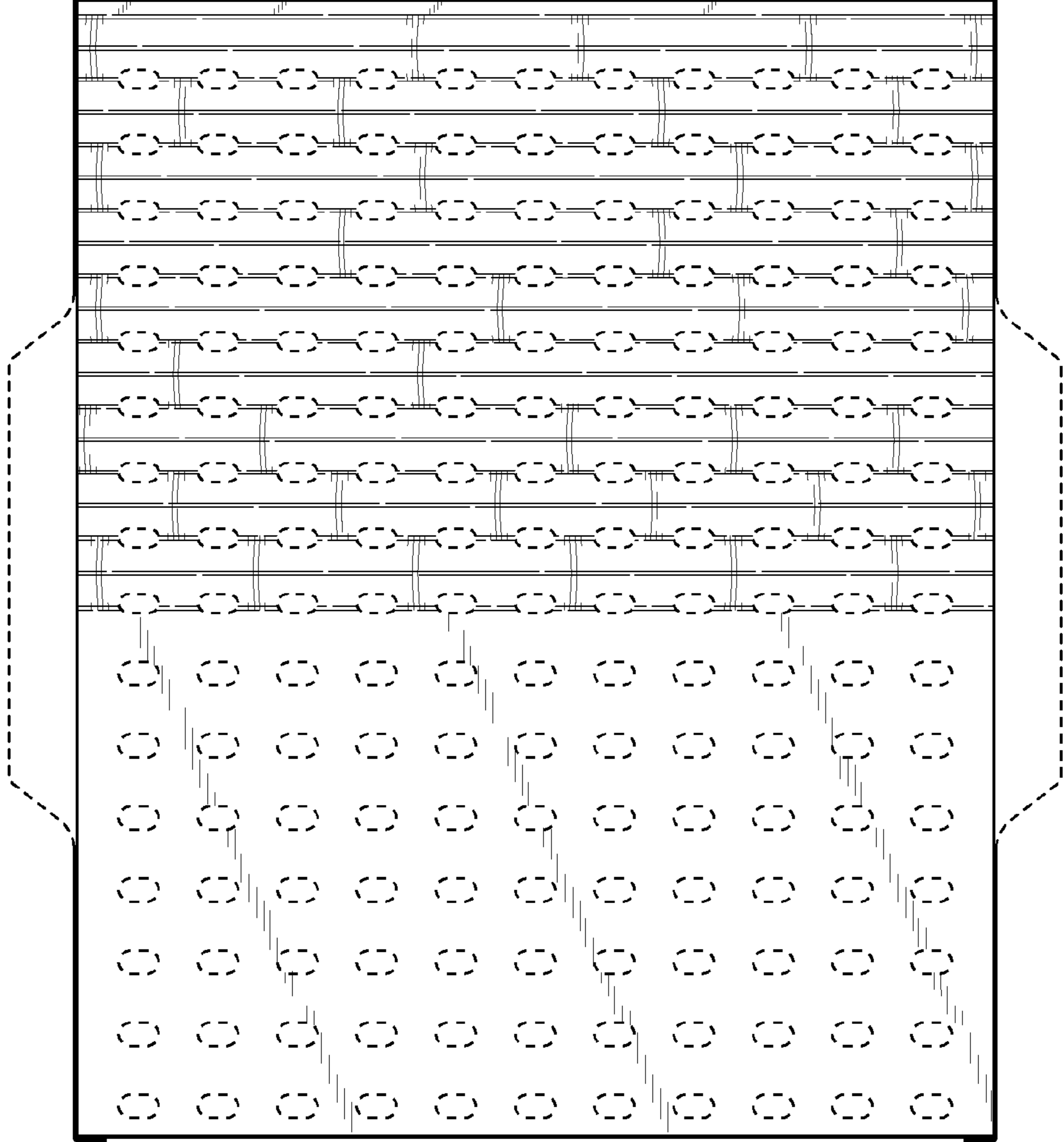


FIG. 6

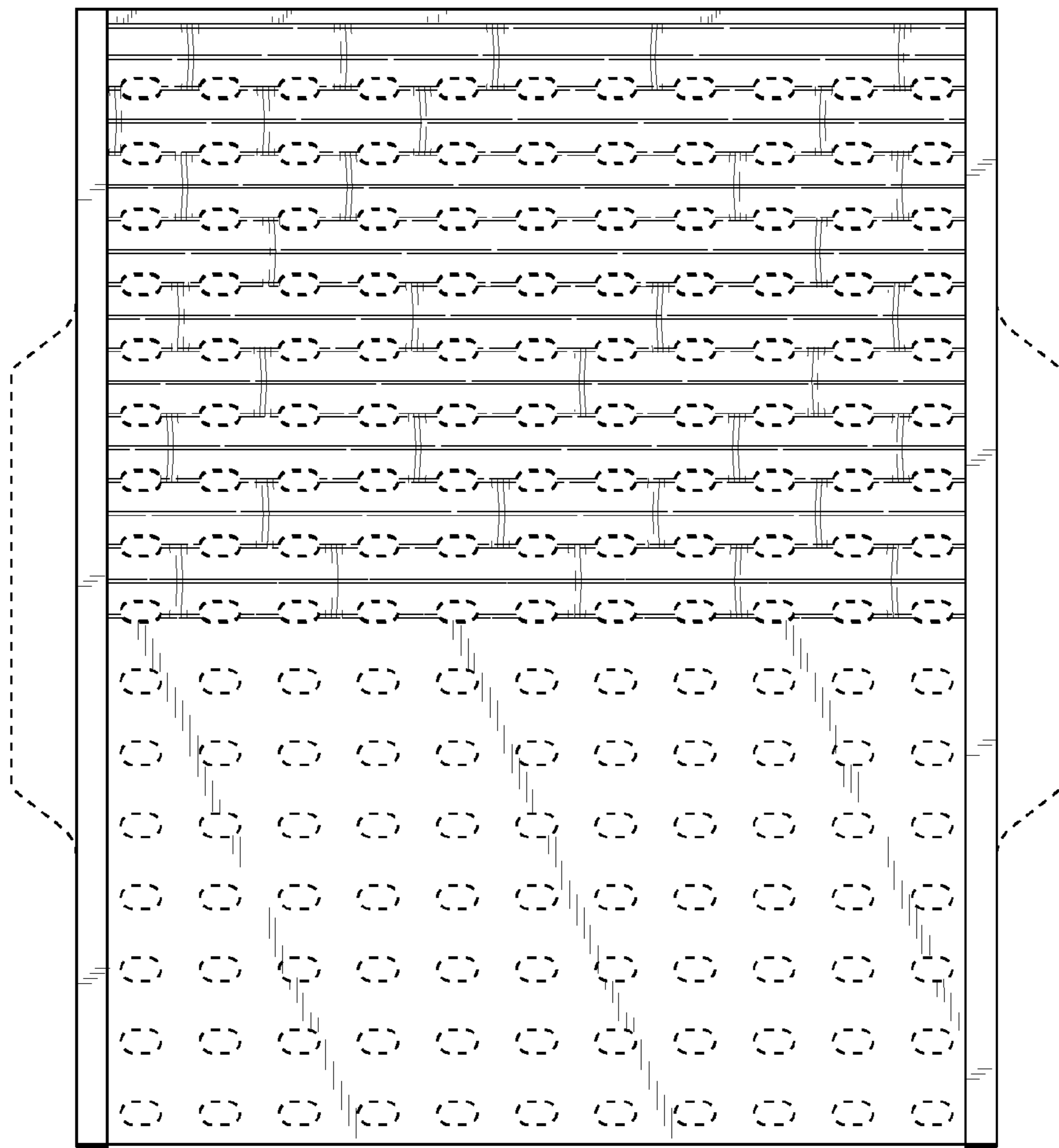


FIG. 7