



US00D668505S

(12) **United States Design Patent**
Shrader et al.

(10) **Patent No.:** **US D668,505 S**

(45) **Date of Patent:** **** Oct. 9, 2012**

(54) **BASE FOR A KITCHEN APPLIANCE**

(75) Inventors: **Benjamin Paul Shrader**, Anderson, SC (US); **Daniel Hartly Green**, Nashville, TN (US)

(73) Assignee: **Electrolux Home Products, Inc.**, Charlotte, NC (US)

(**) Term: **14 Years**

(21) Appl. No.: **29/386,872**

(22) Filed: **Mar. 4, 2011**

(51) **LOC (9) Cl.** **07-02**

(52) **U.S. Cl.** **D7/403**

(58) **Field of Classification Search** D7/350.1, D7/350.3, 350.4, 351, 402, 403, 405, 406; 219/756, 757, 758, 391; 126/19 M, 21 A, 126/275 E; 99/352

See application file for complete search history.

(56) **References Cited**

U.S. PATENT DOCUMENTS

D267,851 S	2/1983	Boldt et al.	
D334,688 S *	4/1993	Kitae et al.	D7/351
D481,582 S *	11/2003	Seum et al.	D7/350.1
D489,934 S	5/2004	Sagawa et al.	
D531,447 S	11/2006	Lee et al.	
D539,073 S	3/2007	Kanza	
D540,613 S	4/2007	Jeon	
D550,024 S	9/2007	Jeon	
D567,013 S *	4/2008	Choya	D7/350.1
D568,675 S *	5/2008	Kawata	D7/350.1
D586,180 S	2/2009	Pino et al.	
D586,619 S	2/2009	Pino et al.	
D587,959 S	3/2009	Hensel	
D607,264 S	1/2010	Lee	
D625,557 S	10/2010	Pino et al.	
2011/0023861 A1	2/2011	Hensel	

FOREIGN PATENT DOCUMENTS

CA	128066	8/2009
CN	3576807	11/2006
CN	300765574	4/2008
CN	300765576	4/2008

CN	300789761	6/2008
CN	300833680	10/2008
CN	300946130	6/2009
CN	301018786	9/2009
CN	301037773	10/2009
CN	301060123	11/2009
CN	301355632	9/2010
CN	301355633	9/2010
CN	301355634	9/2010
CN	301355635	9/2010
CN	301390858	11/2010

(Continued)

OTHER PUBLICATIONS

<http://www.brevilleusa.com/cooking/the-compact-smart-oven.html>, 1 sheet, dated Jan. 13, 2011.

(Continued)

Primary Examiner — Ruth McInroy

(74) *Attorney, Agent, or Firm* — Banner & Witcoff, Ltd.

(57) **CLAIM**

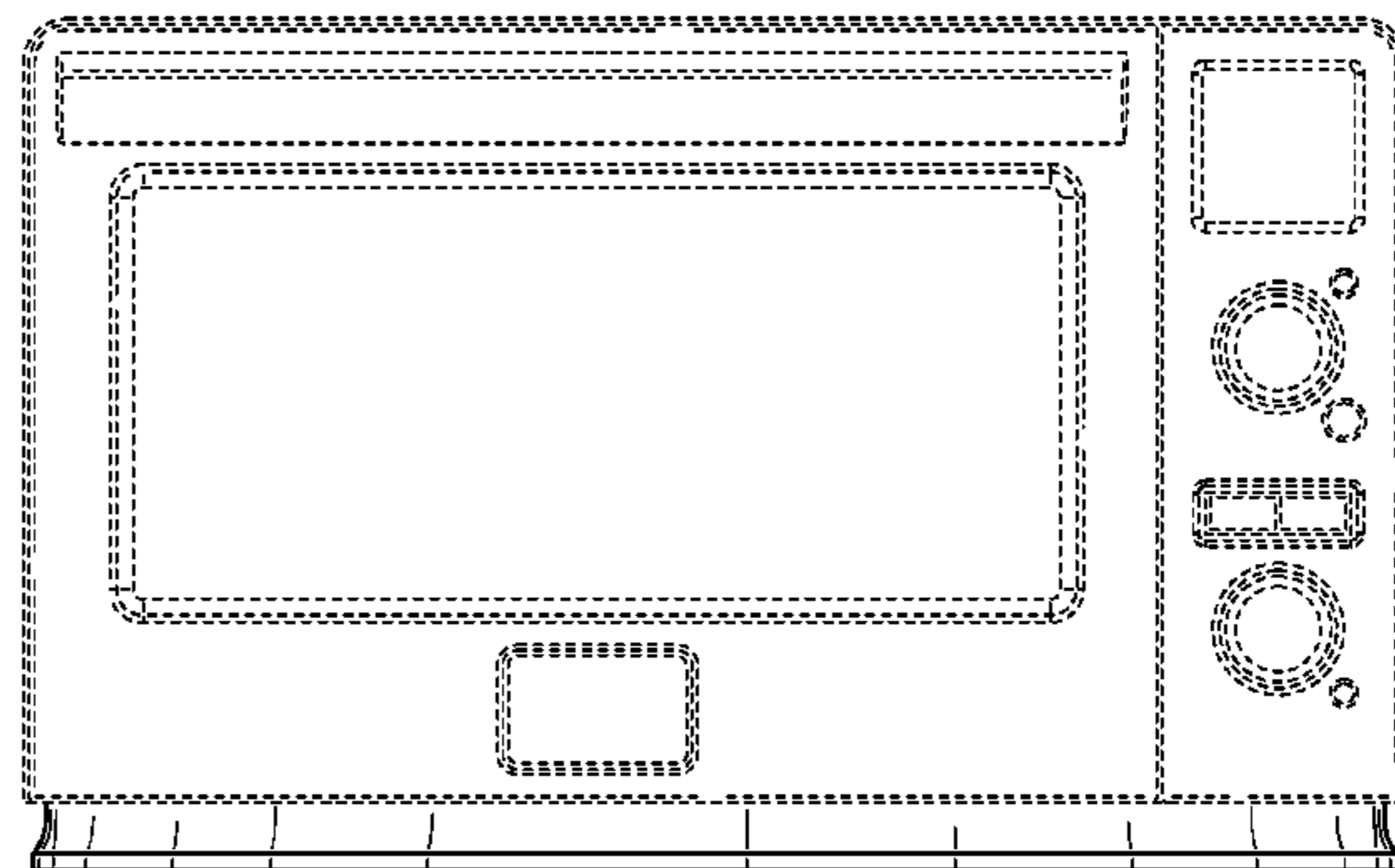
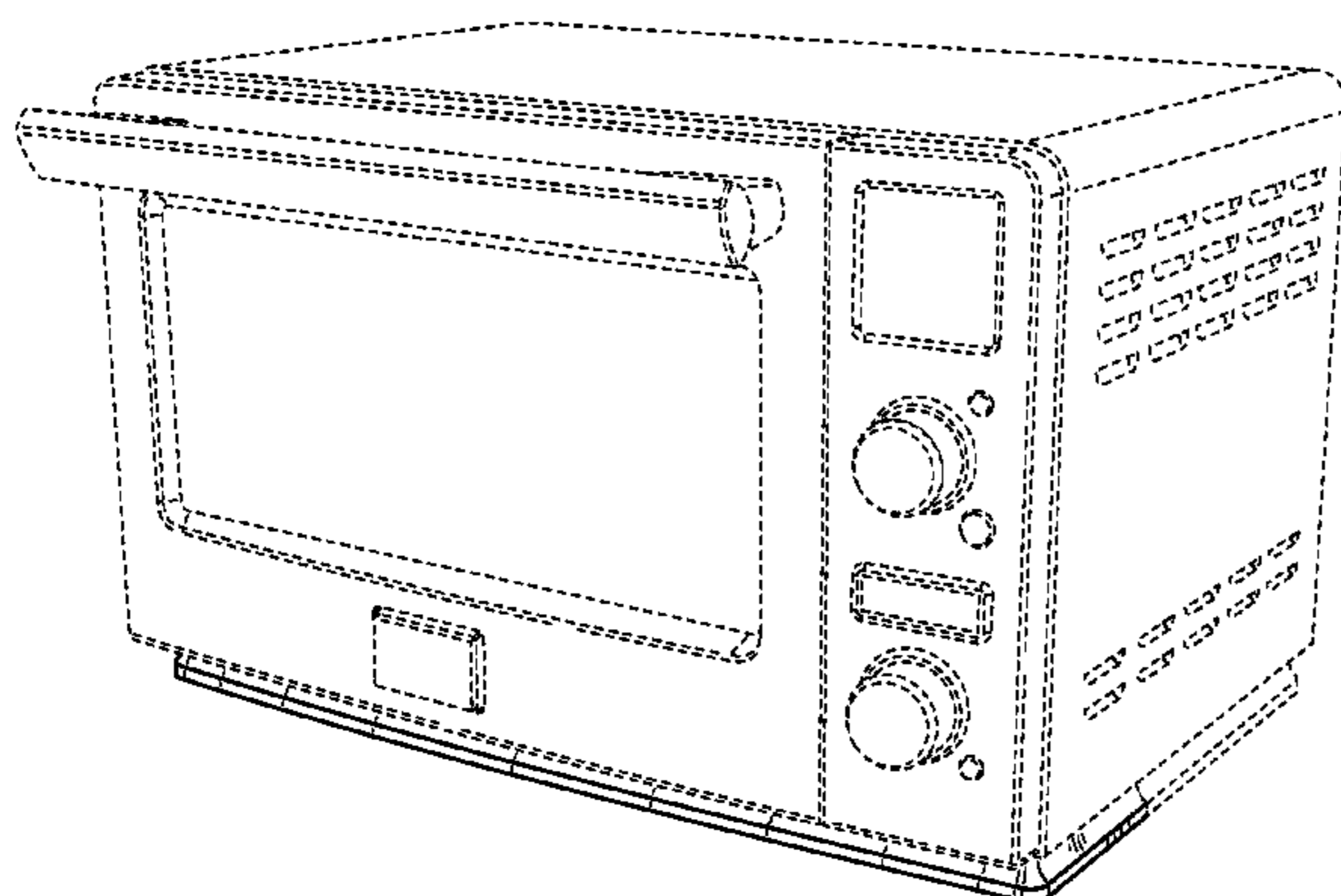
The ornamental design for a base for a kitchen appliance, as shown and described.

DESCRIPTION

FIG. 1 is a perspective view of a base for a kitchen appliance showing our new design; FIG. 2 is a front view thereof; FIG. 3 is a right side view thereof; FIG. 4 is a left side view thereof; and, FIG. 5 is a bottom view thereof.

The uneven length broken lines on the left and right side ends of the shaded region are unclaimed boundaries and form no part of the claimed design. The broken line showing of the remainder of the kitchen appliance is for environmental purposes only and forms no part of the claimed design.

1 Claim, 4 Drawing Sheets



FOREIGN PATENT DOCUMENTS

CN 301450023 1/2011
CN 301456009 2/2011

OTHER PUBLICATIONS

<http://www.brevilleusa.com/cooking/the-compact-smart-oven-tm.html>, 1 sheet, dated Jan. 13, 2011.

http://www.cuisinart.com/products/toaster_ovens/tob-60.html, 1 sheet, dated Jan. 13, 2011.

http://ecx.images-amazon.com/images/I/41T6JyMfWdL._SS500_.jpg, 1 sheet, dated Jan. 13, 2011.

<http://www.amazon.com/George-Foreman-TO2021B-Countertop-Rotisserie/dp/B003YC1...>, 5 sheets, dated Jan. 13, 2011.

<http://www.amazon.com/KitchenAid-KC0223CU-Convection-Countertop-Oven/dp/B003...>, 2 sheets, dated Jan. 13, 2011.

<http://www.oster.com/ProductDetails.aspx?pid=3113>, Vega Toaster Oven—TSSTTVVG01, 1 sheet, dated Jan. 13, 2011.

<http://www.hotplates.com/Oster-6297-0ST1052.html>, 1 sheet, dated Jan. 13, 2011.

<http://common2.csnimages.com/If/8/hash/1/262119/1/>

6+Slice+Toaster+Oven+in+Stainless..., 1 sheet, dated Jan. 13, 2011.

* cited by examiner

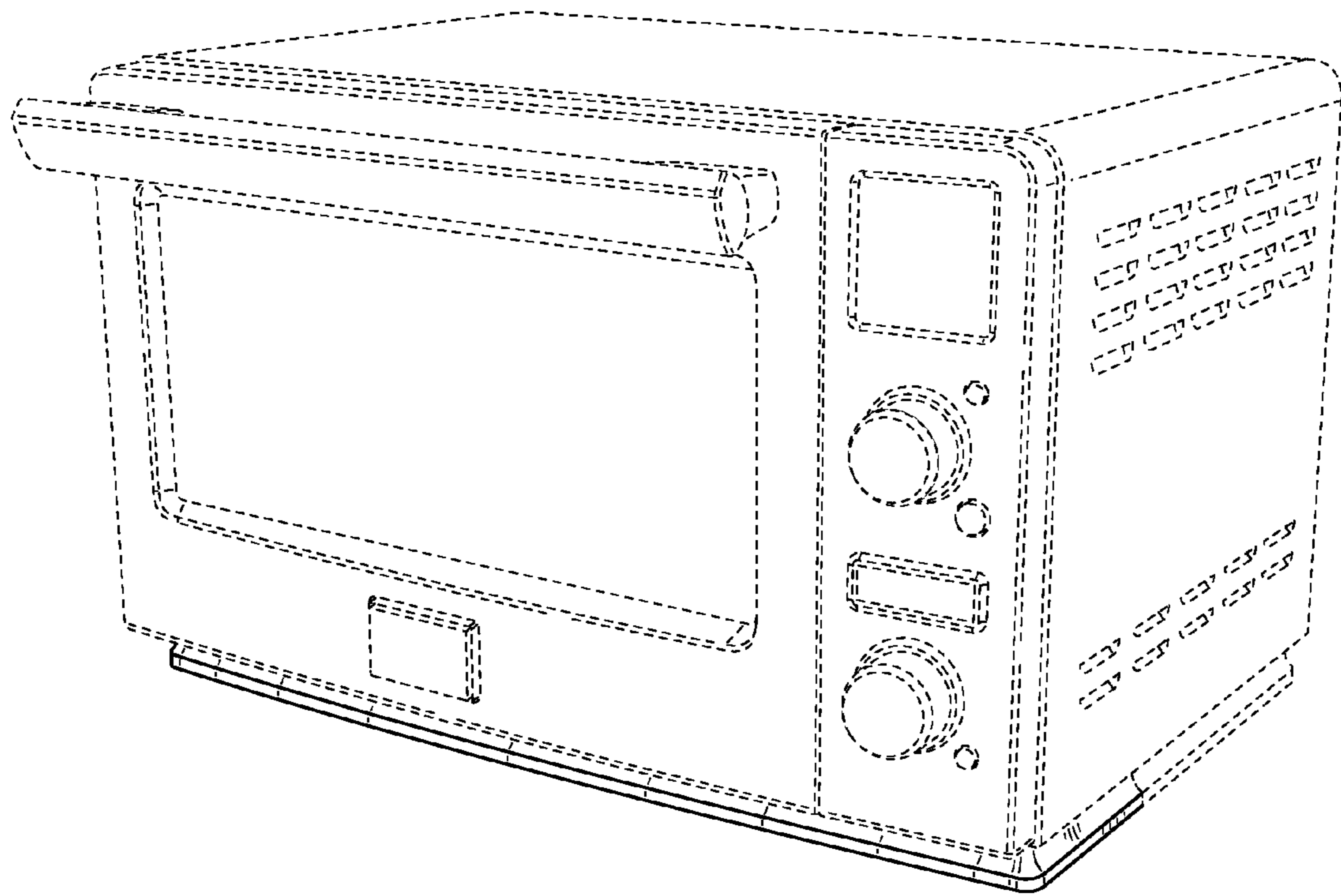


FIG. 1

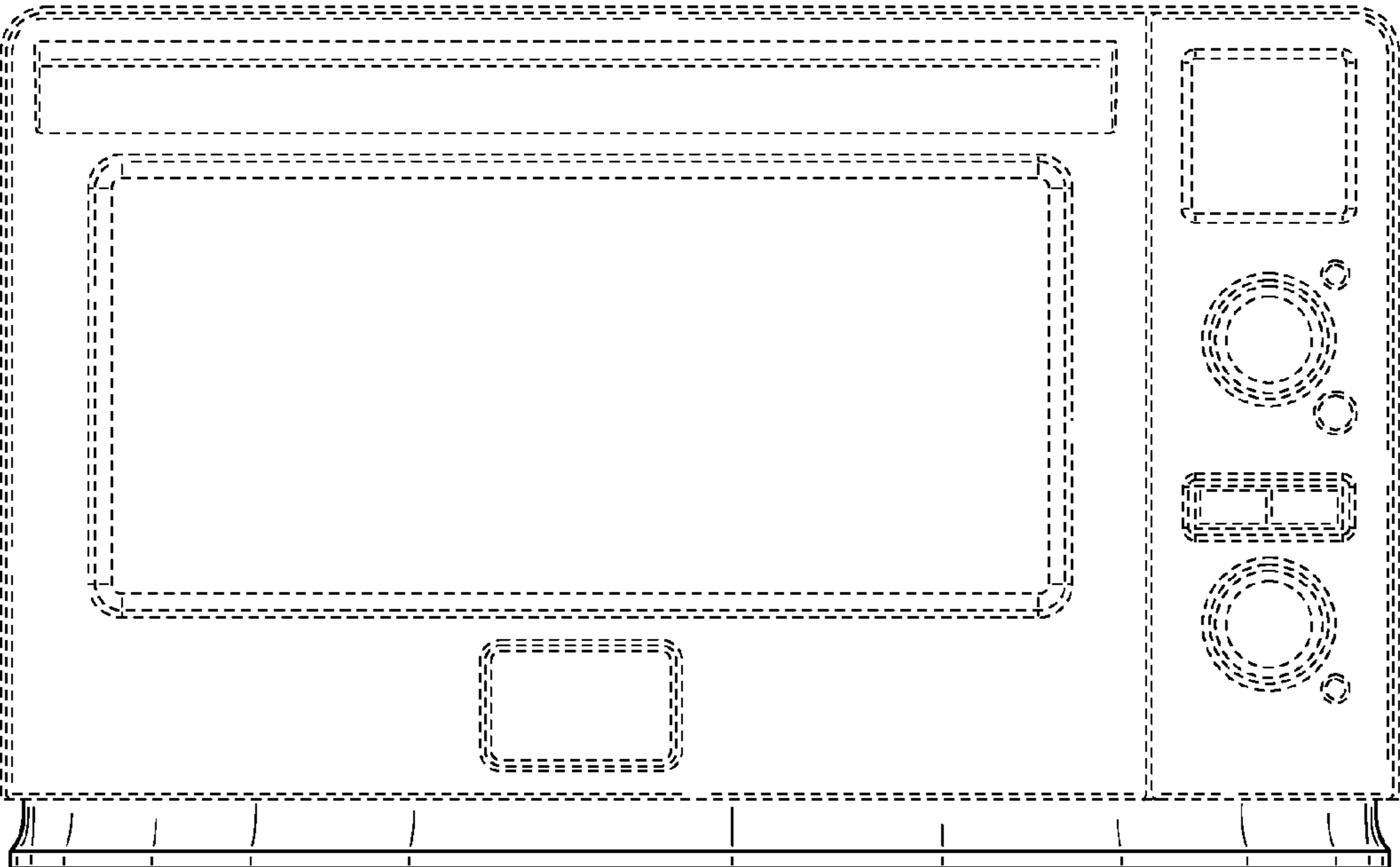


FIG. 2

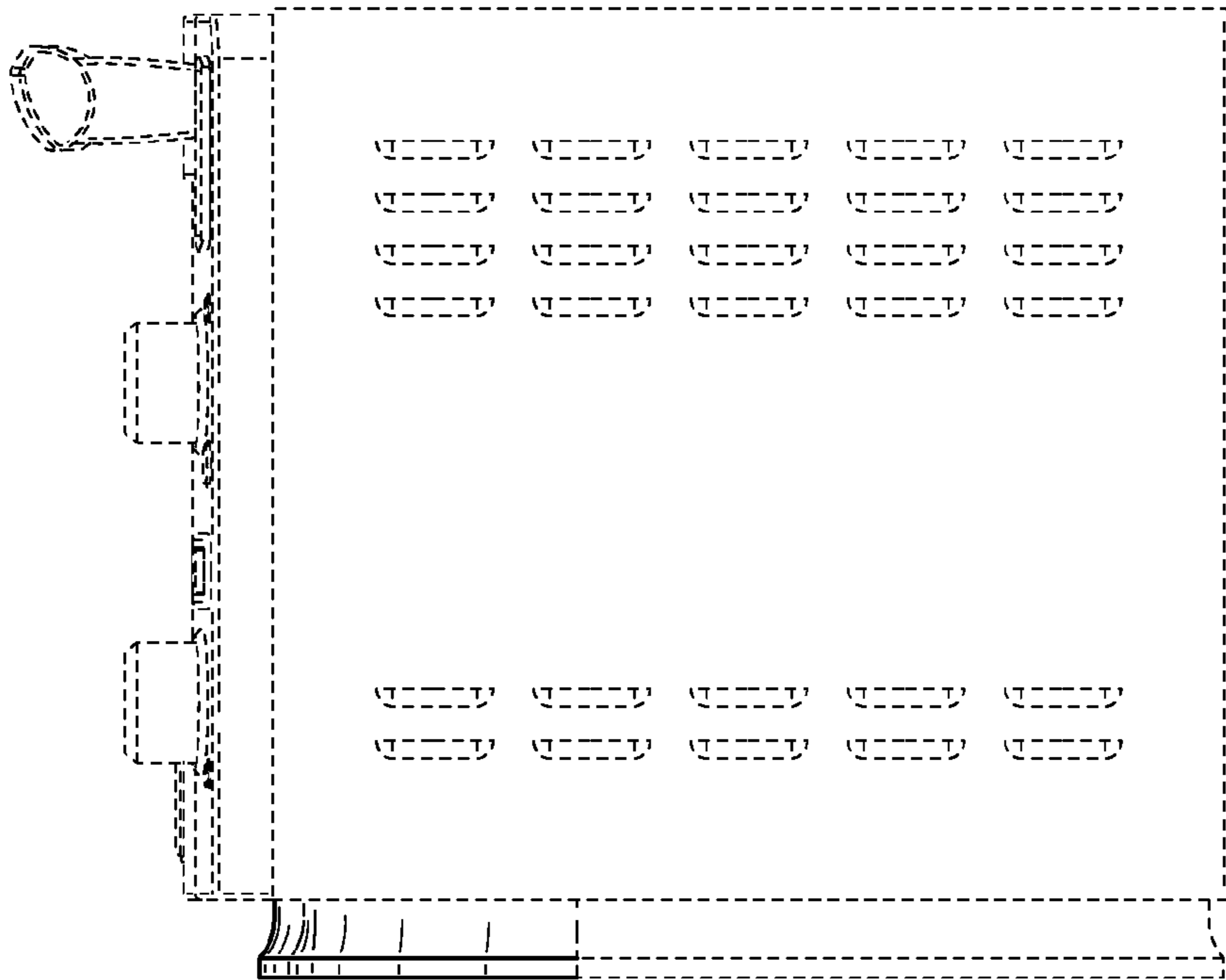


FIG. 3

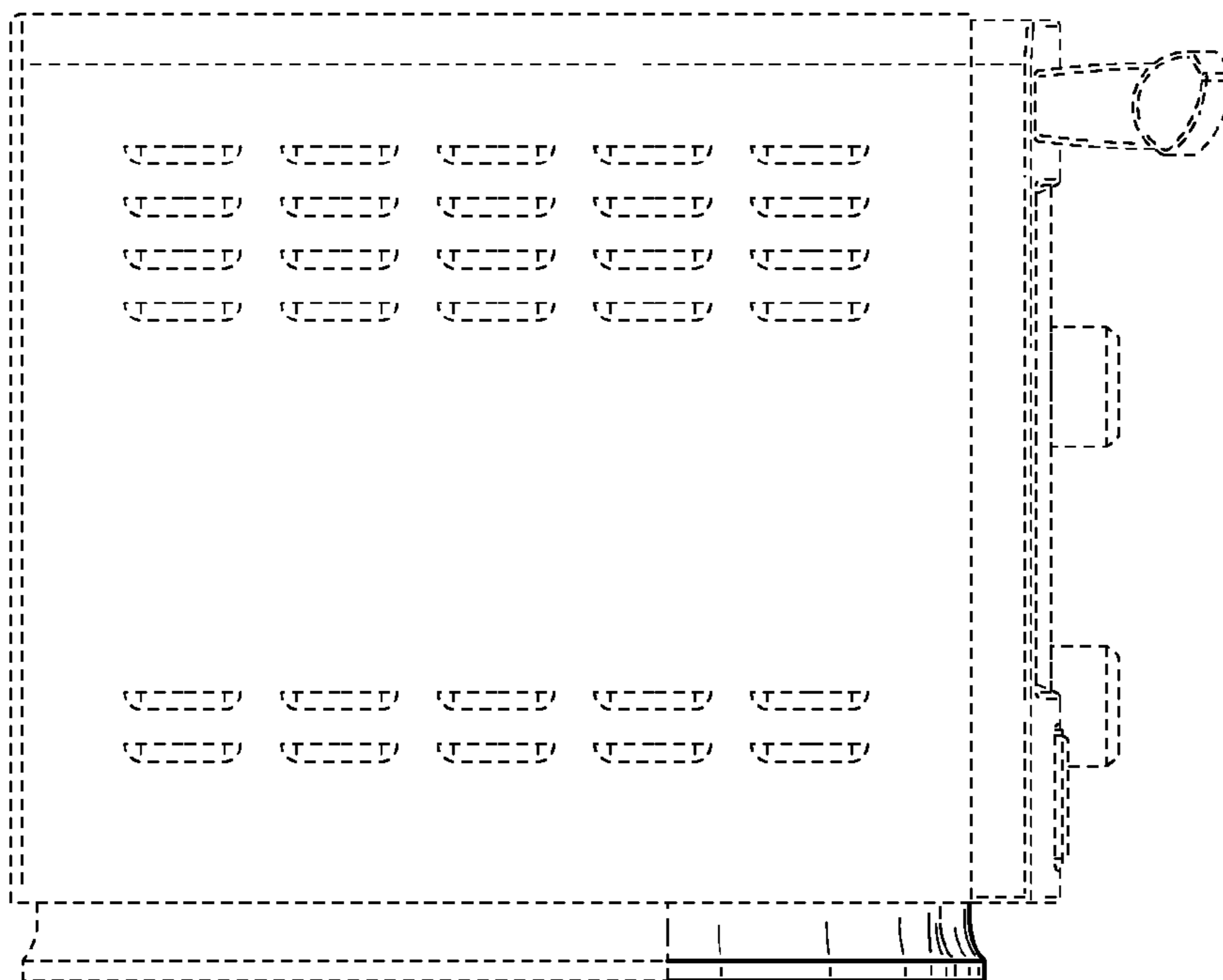


FIG. 4

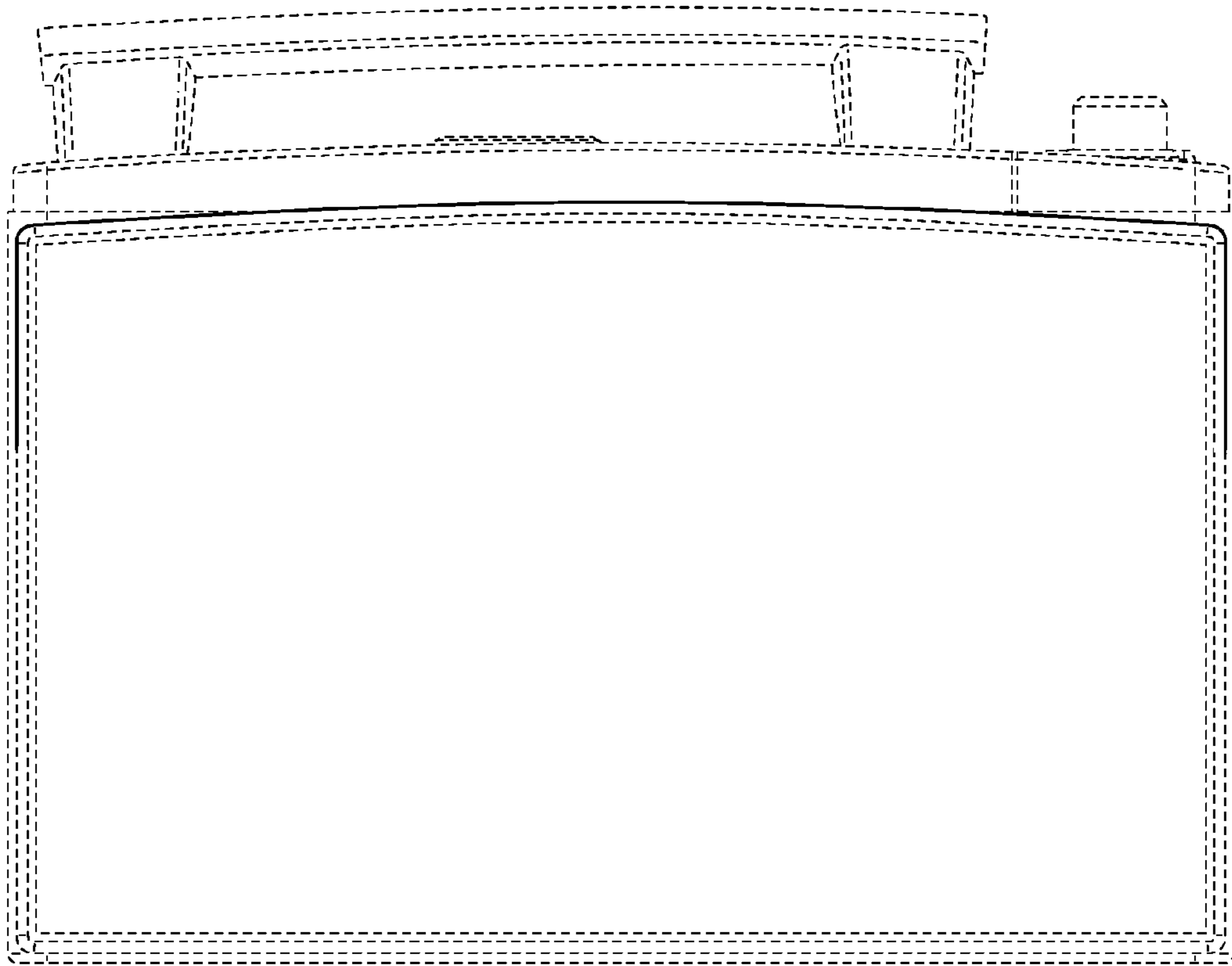


FIG. 5