



US00D668503S

(12) **United States Design Patent**  
**Kotani**

(10) **Patent No.:** **US D668,503 S**  
(45) **Date of Patent:** **\*\* Oct. 9, 2012**

(54) **UPPER CLOSURE FOR VACUUM BOTTLE**

(75) Inventor: **Keito Kotani**, Osaka (JP)

(73) Assignee: **Zojirushi Corporation** (JP)

(\*\*) Term: **14 Years**

(21) Appl. No.: **29/404,175**

(22) Filed: **Oct. 17, 2011**

(30) **Foreign Application Priority Data**

May 18, 2011 (JP) ..... 2011-011168

(51) **LOC (9) Cl.** ..... **07-01**

(52) **U.S. Cl.** ..... **D7/392.1**

(58) **Field of Classification Search** ..... D7/510,  
D7/532, 507, 396, 2, 900, 392.1, 387, 511;  
215/388, 300; D9/434, 435

See application file for complete search history.

(56) **References Cited**

**U.S. PATENT DOCUMENTS**

D372,163 S *	7/1996	Ahern, Jr. ....	D7/392.1
D372,164 S *	7/1996	Ahern, Jr. ....	D7/392.1
D554,987 S *	11/2007	Terrasi .....	D9/424
D572,070 S *	7/2008	Teh-hsiung .....	D7/319
D608,640 S *	1/2010	Carreno .....	D9/449
D619,418 S *	7/2010	Nezu et al. ....	D7/510
D635,022 S *	3/2011	Stolle .....	D9/449
7,997,187 B2 *	8/2011	Garman et al. ....	99/304
D658,981 S *	5/2012	Taylor et al. ....	D9/434

**FOREIGN PATENT DOCUMENTS**

JP	1116271	7/2001
JP	1157681	11/2002
JP	1342827	10/2008
JP	1357209	4/2009
JP	1357211	4/2009
JP	1360268	5/2009

JP	1367883	8/2009
JP	1367884	8/2009
JP	1369082	9/2009
JP	1369083	9/2009
JP	1382008	3/2010

**OTHER PUBLICATIONS**

The design of an upper closure in the vacuum bottle disclosed on the web site (<http://www.zojirushi.co.jp/corp/news/2011/110119/SMKA.html>) on Feb. 21, 2011, which was furnished in JPO on Feb. 25, 2011.

\* cited by examiner

*Primary Examiner* — Cynthia Underwood

(74) *Attorney, Agent, or Firm* — SAIDMAN DesignLaw Group

(57) **CLAIM**

The ornamental design for an upper closure for vacuum bottle, as shown and described.

**DESCRIPTION**

FIG. 1 is a perspective view of an upper closure for vacuum bottle showing my new design;

FIG. 2 is a front view thereof;

FIG. 3 is a rear view thereof;

FIG. 4 is a left side view thereof;

FIG. 5 is a right side view thereof;

FIG. 6 is a top plan view thereof;

FIG. 7 is a bottom view thereof;

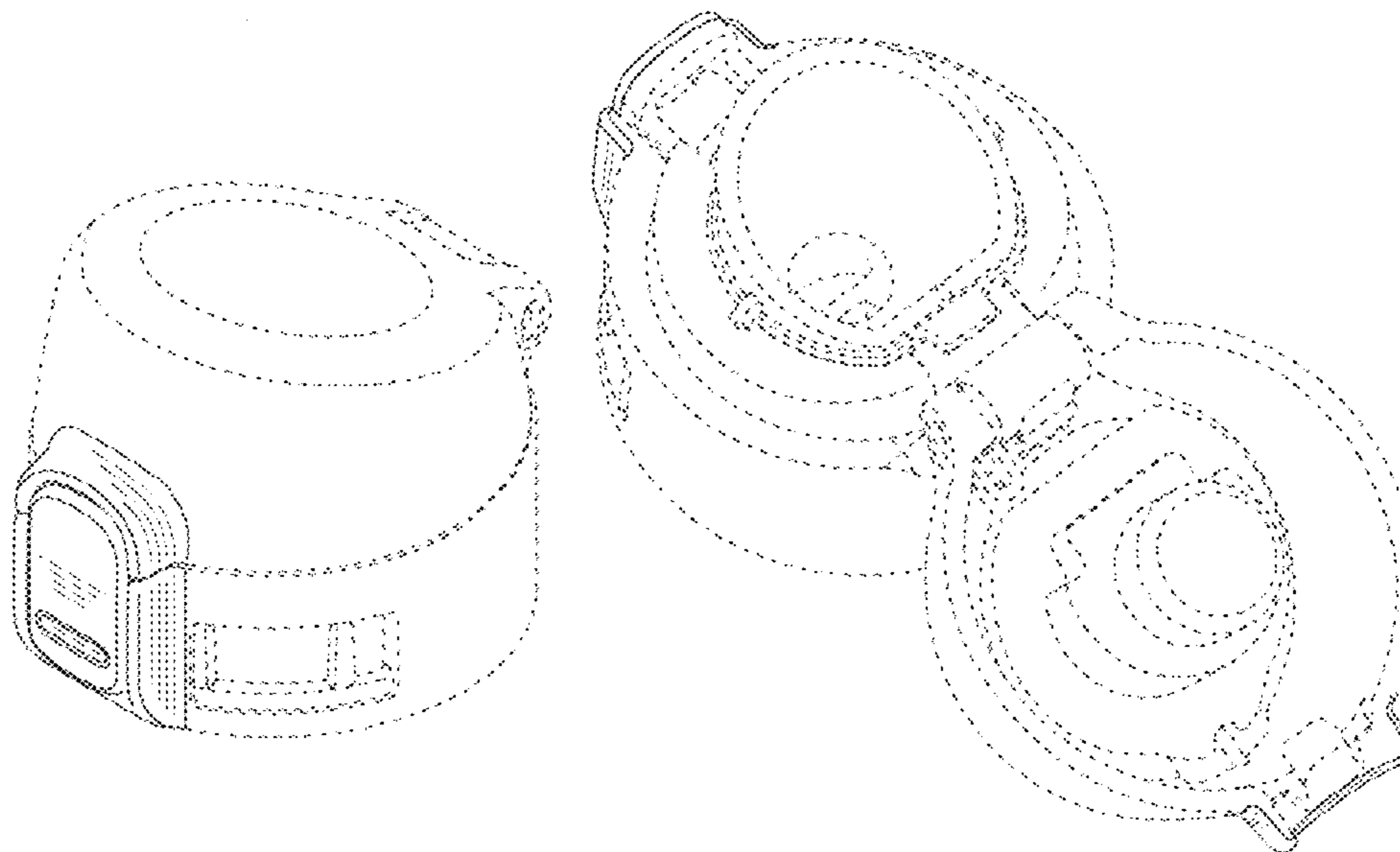
FIG. 8 is another perspective view wherein the cap of the upper closure is opened;

FIG. 9 is still another perspective view wherein the cap of the upper closure is opened; and,

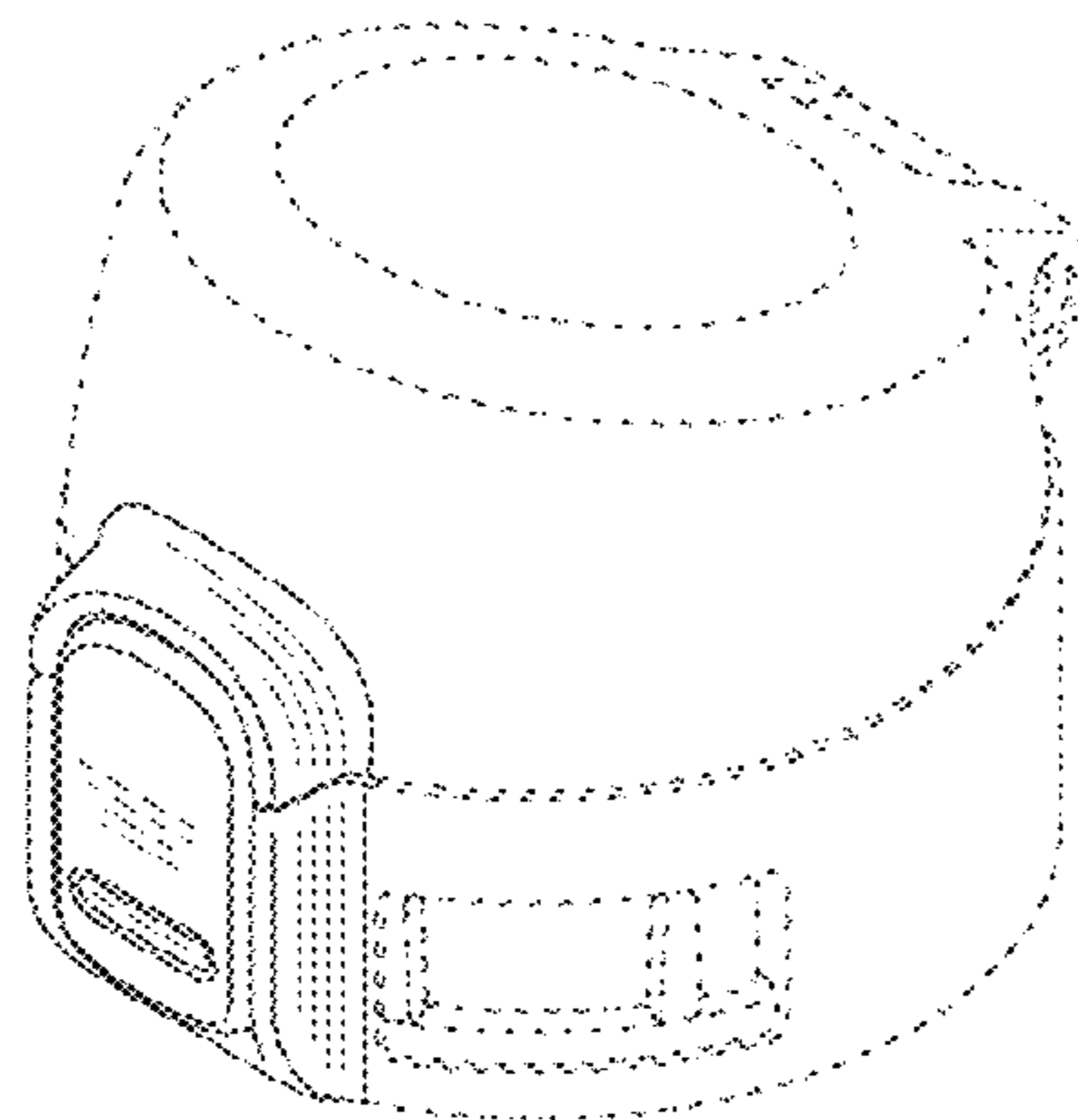
FIG. 10 is an explanatory view showing the upper closure with an associated vacuum bottle.

The broken lines shown in the drawings are for illustrative purposes only and form no part of the claimed design.

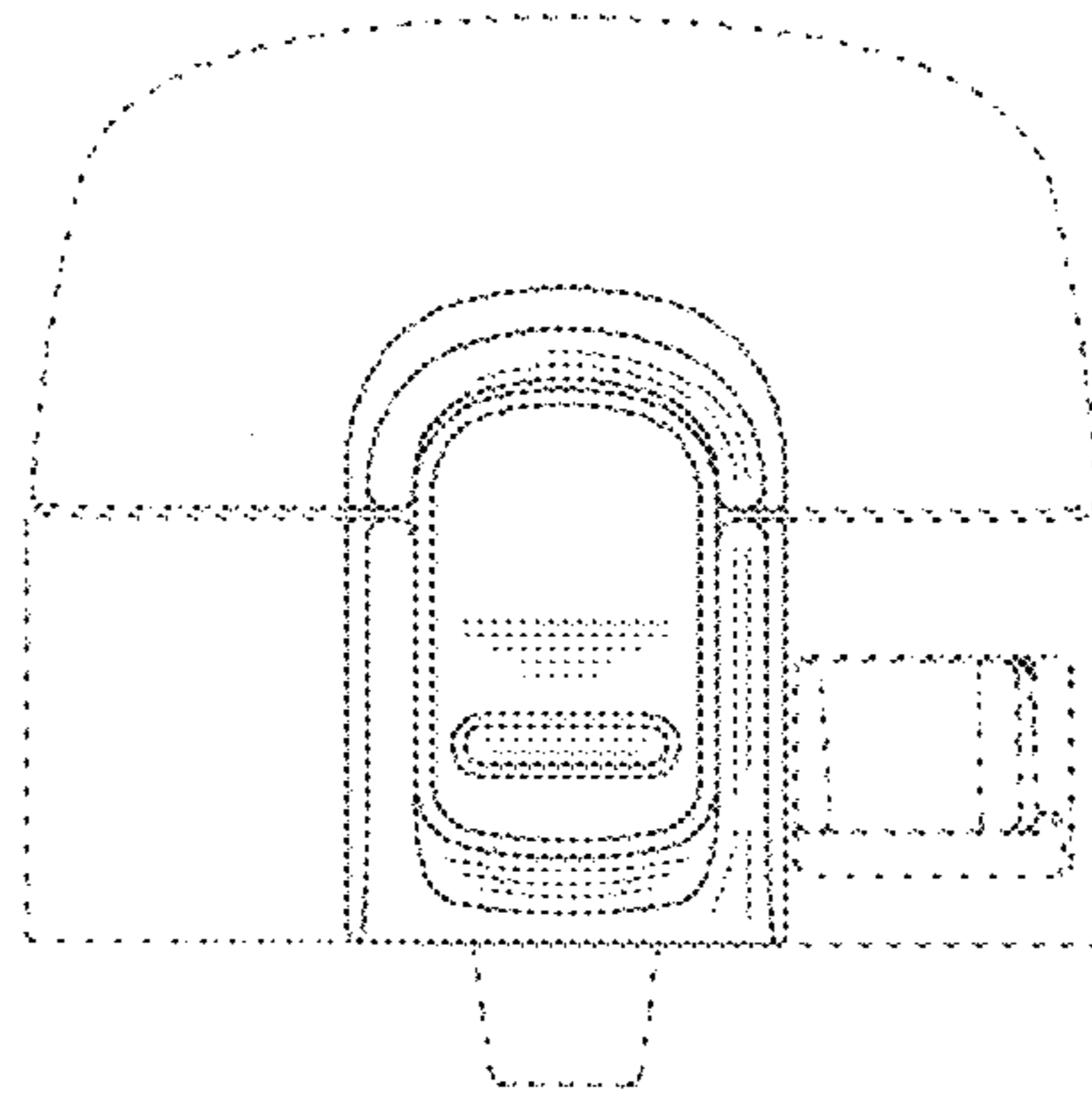
**1 Claim, 10 Drawing Sheets**



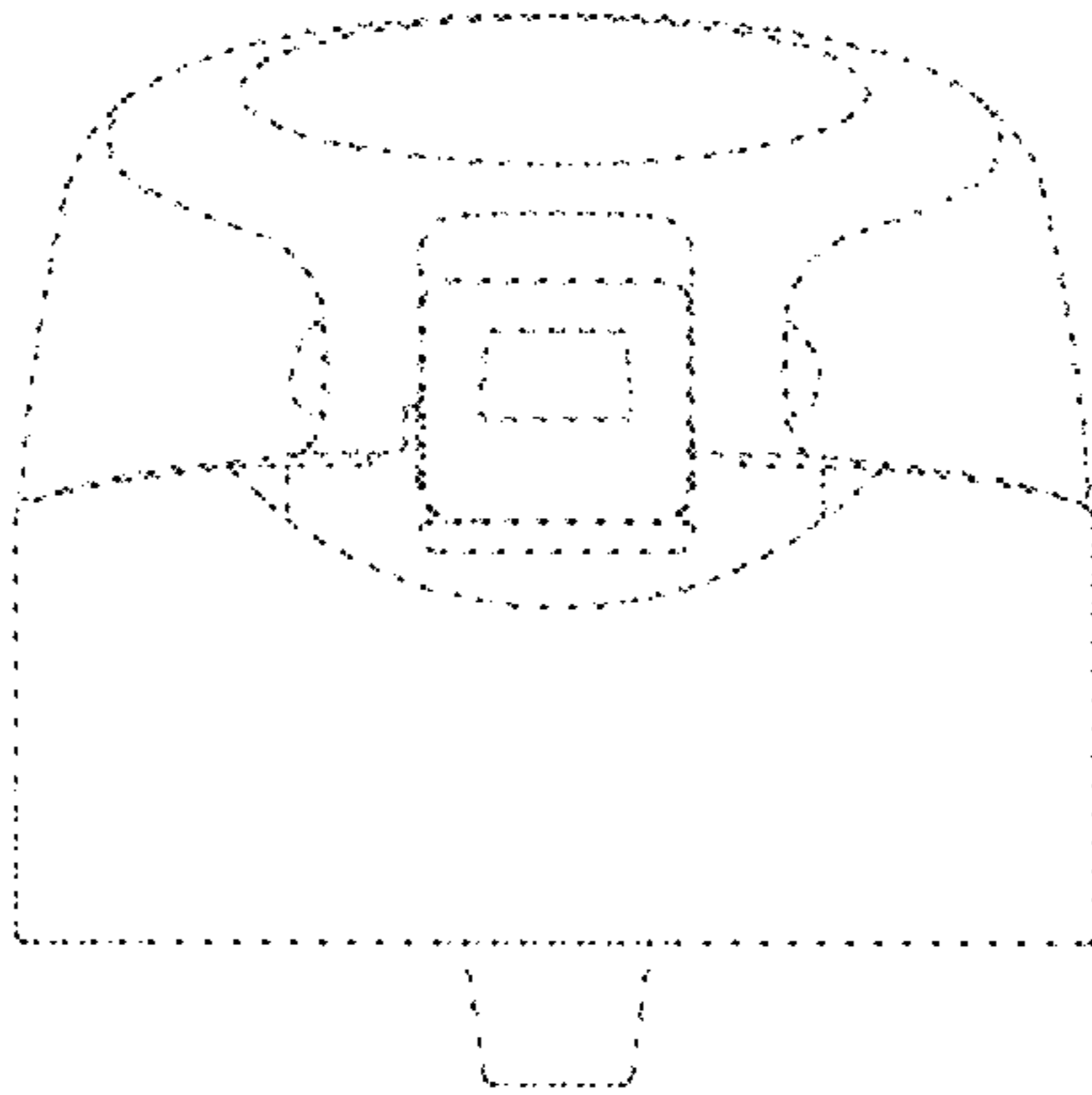
*Fig. 1*



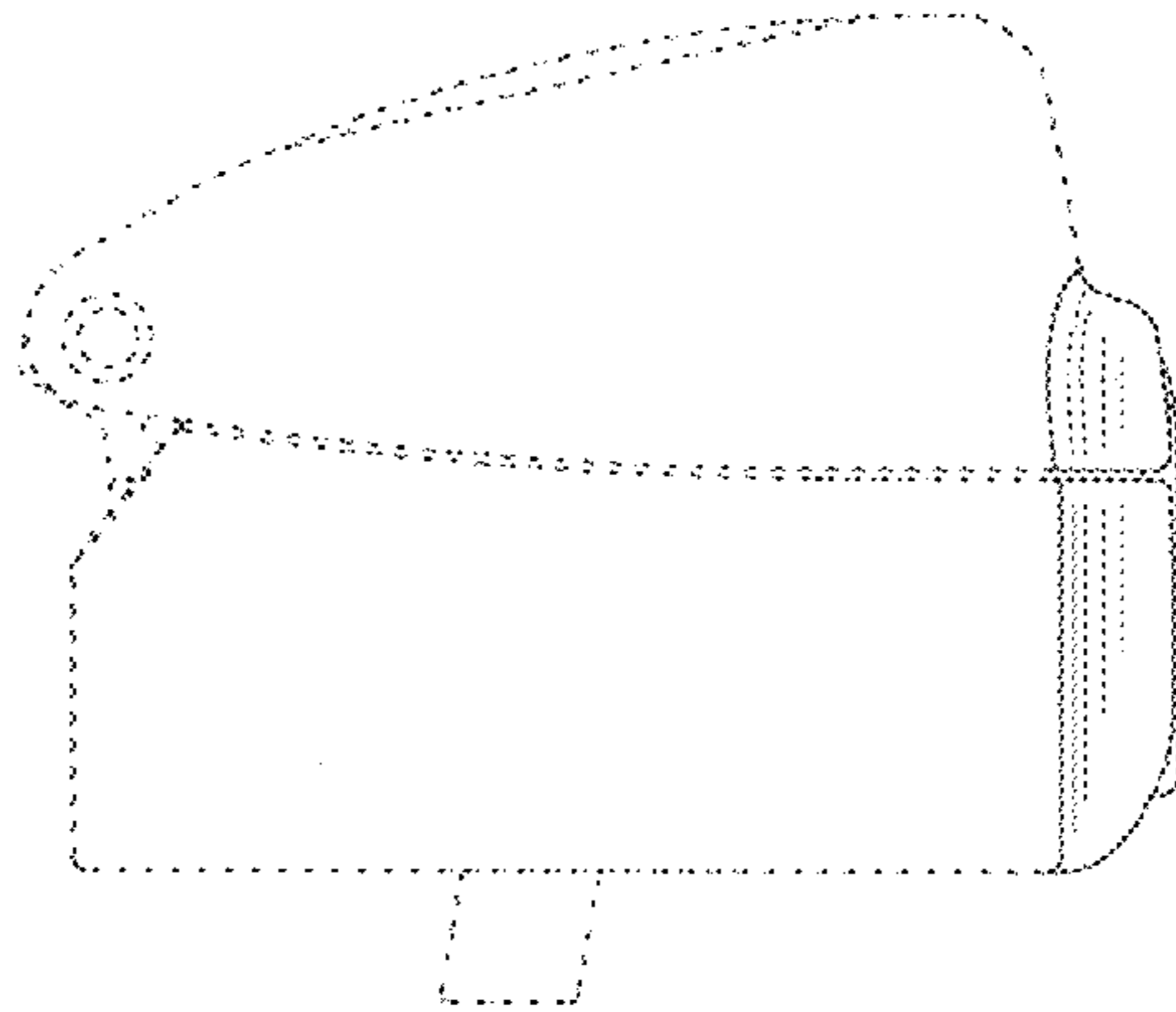
*Fig. 2*



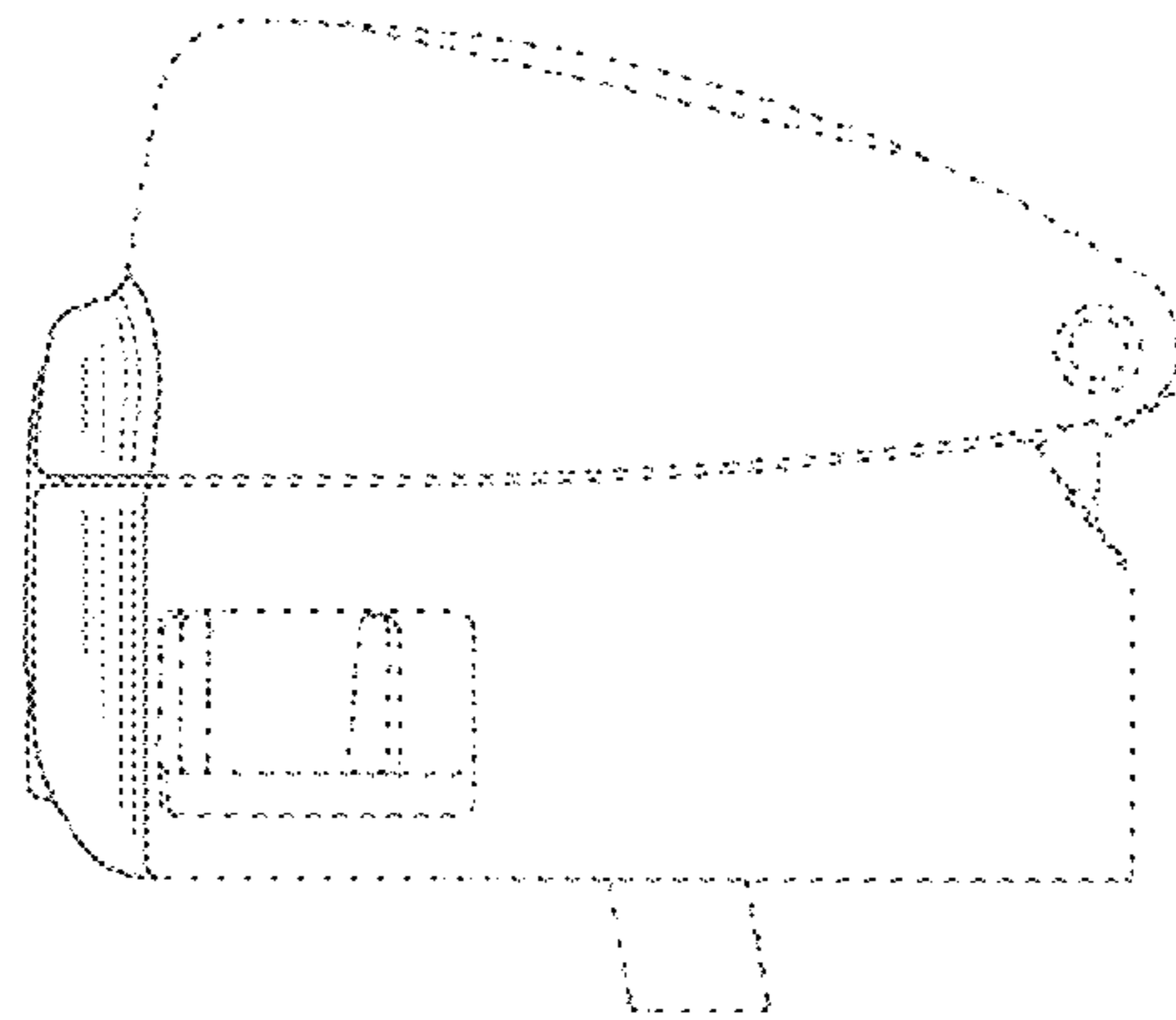
*Fig. 3*



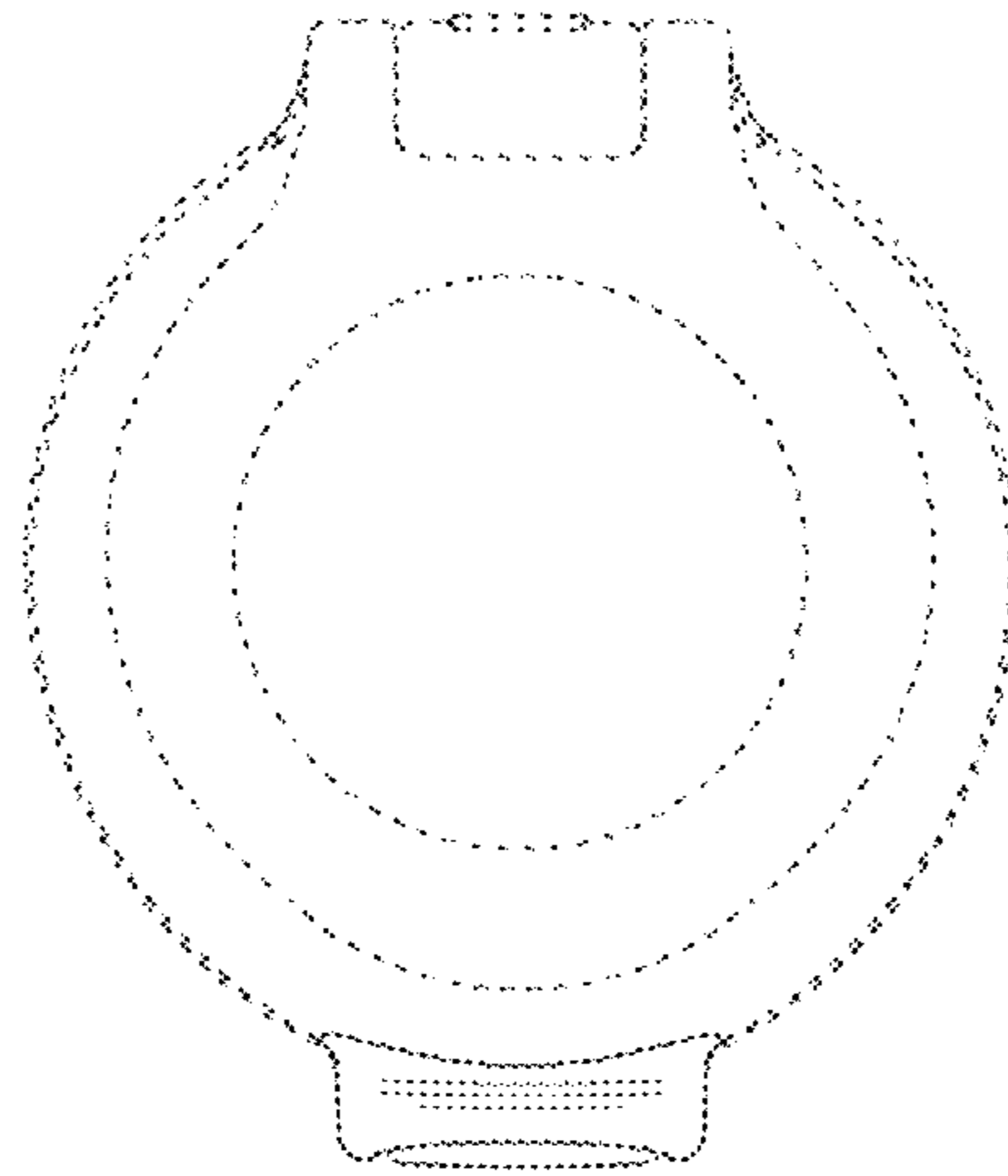
*Fig. 4*



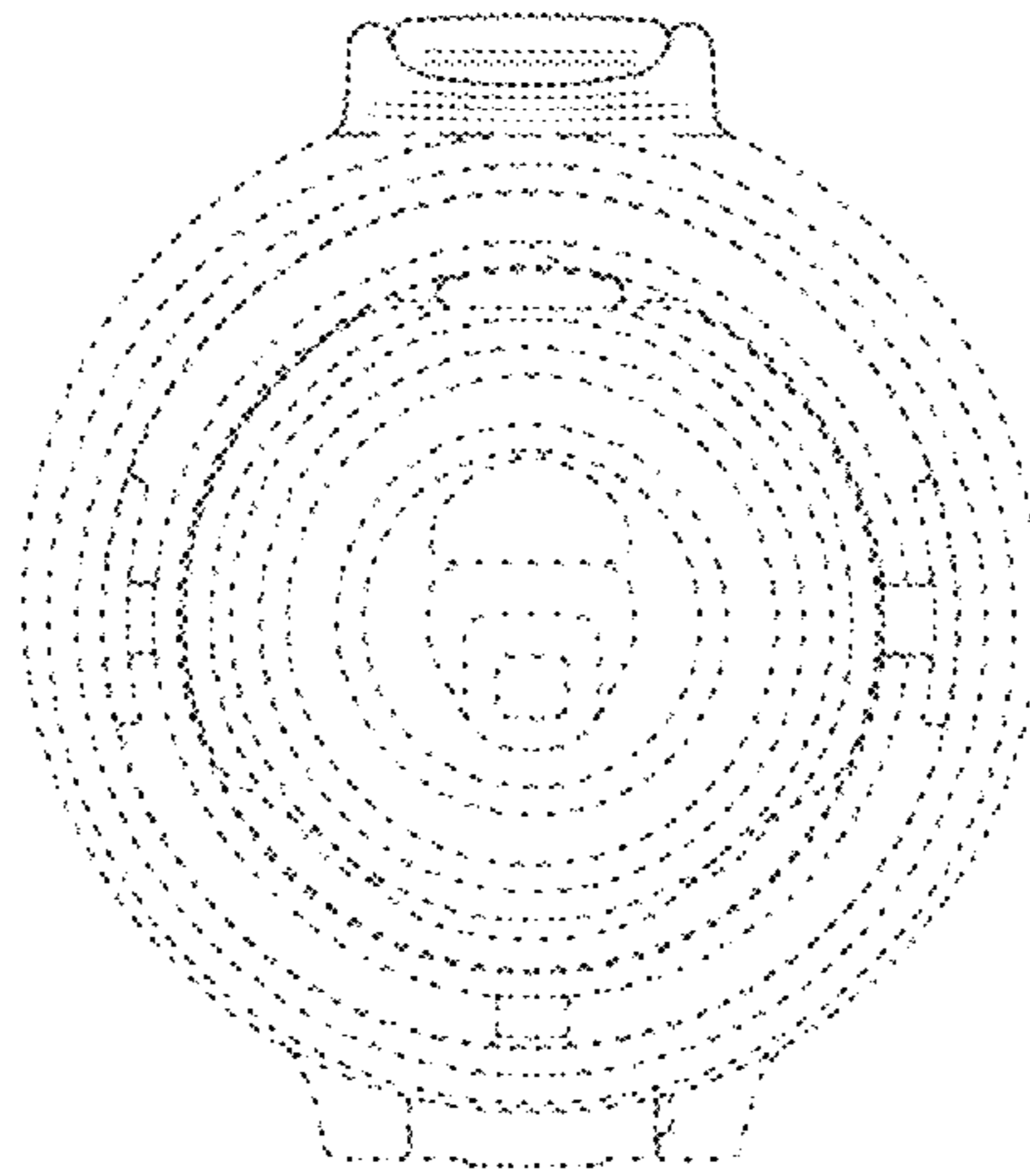
*Fig. 5*



*Fig. 6*

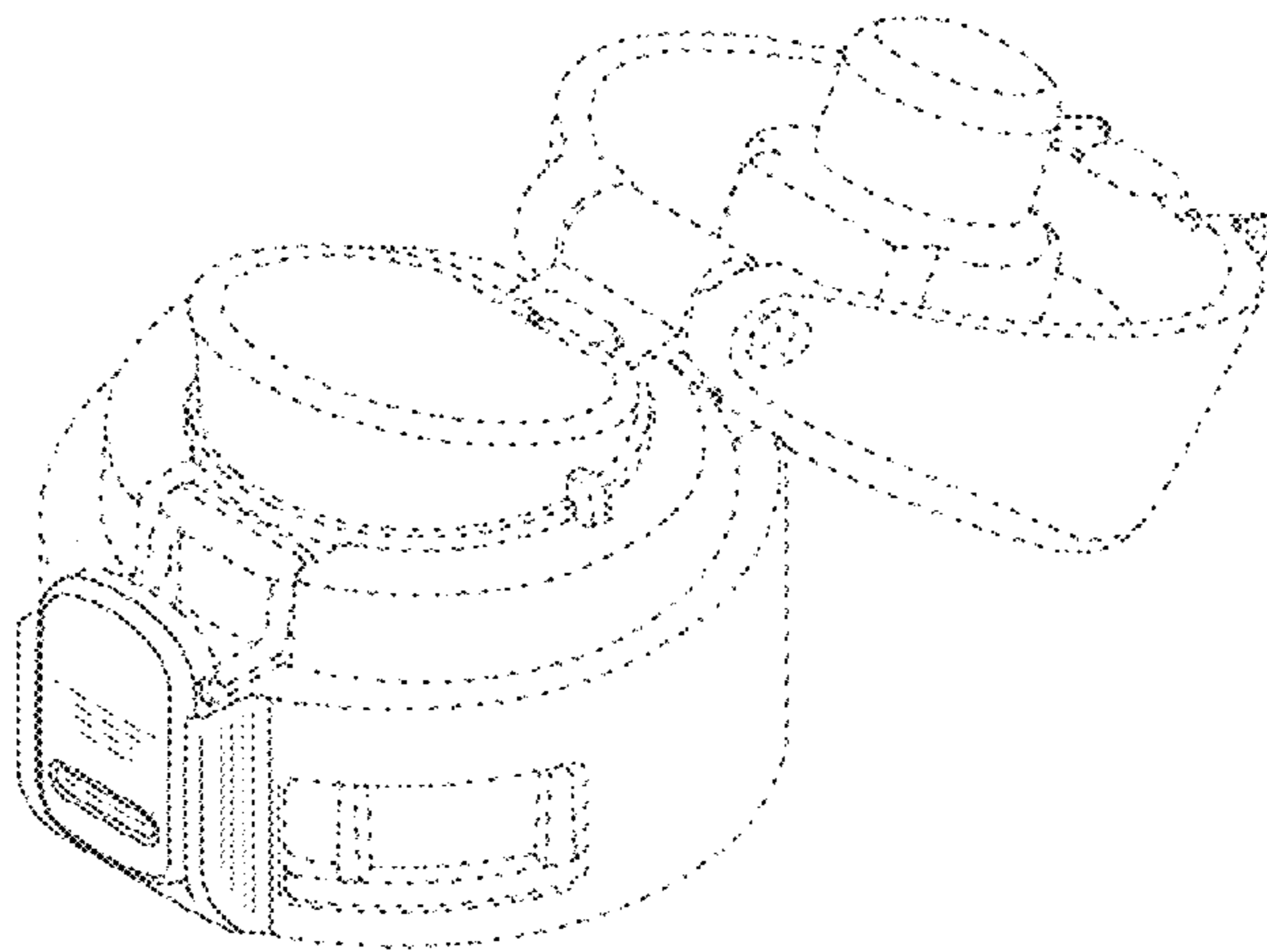


*Fig. 7*

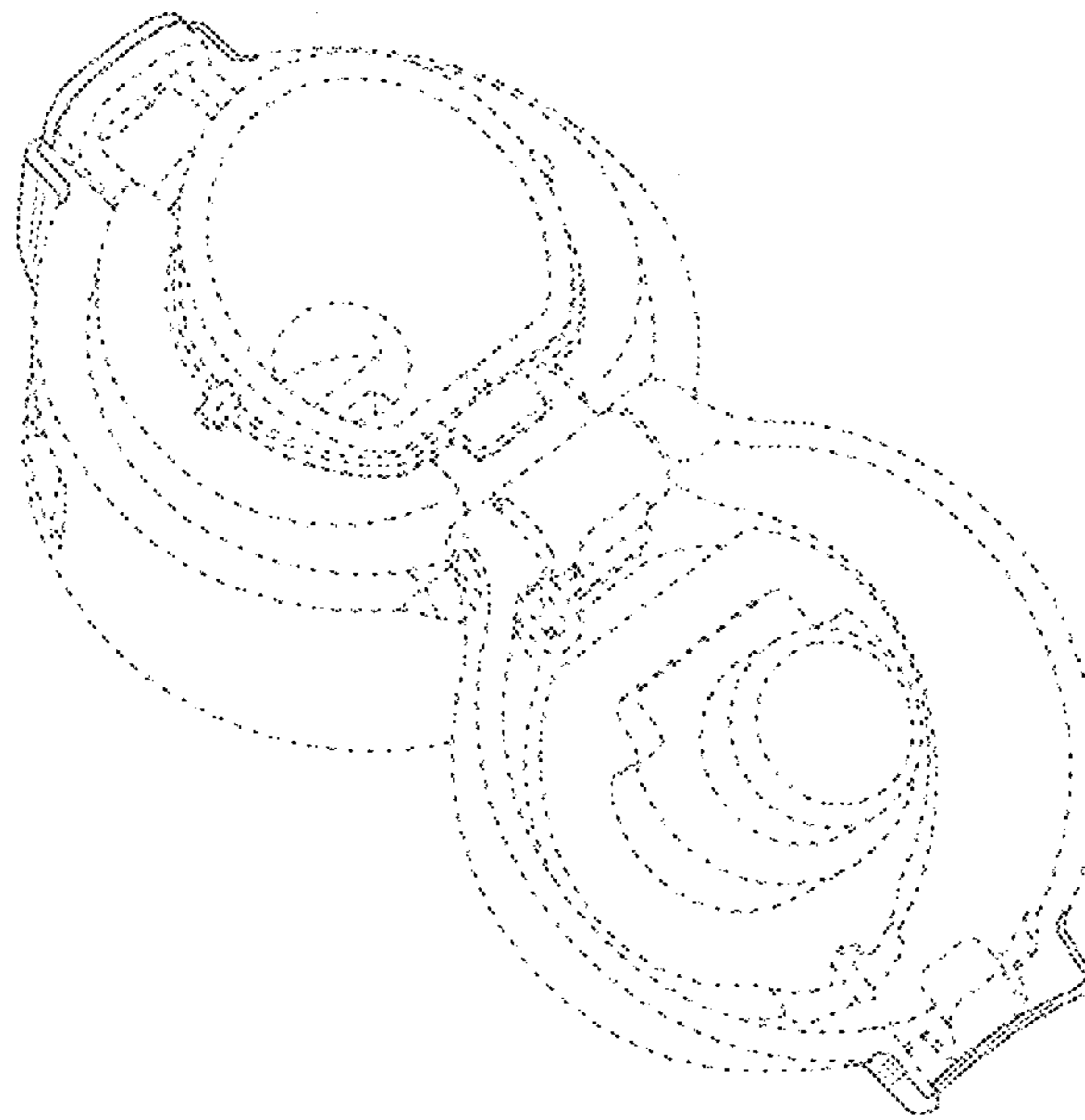




*Fig. 8*



*Fig. 9*



*Fig. 10*

