



US00D668501S

(12) **United States Design Patent**
Hensel et al.

(10) **Patent No.:** **US D668,501 S**
(45) **Date of Patent:** **** Oct. 9, 2012**

(54) **FOOD PROCESSOR BASE**

(75) Inventors: **Keith James Hensel**, Lane Cove (AU);
Daniel Armstrong, Kaleen (AU)

(73) Assignee: **Breville Pty Limited**, Botany, New
South Wales (AU)

(**) Term: **14 Years**

(21) Appl. No.: **29/389,019**

(22) Filed: **Apr. 6, 2011**

(30) **Foreign Application Priority Data**

Oct. 15, 2010 (AU) 14460/2010

(51) **LOC (9) Cl.** **31-00**

(52) **U.S. Cl.** **D7/386; D7/376; D7/378; D7/384**

(58) **Field of Classification Search** D7/301-313,
D7/316-319, 356-357, 368, 372-386, 391-398,
D7/412-415, 515, 665, 679, 691; 99/348,
99/467, 492, 508-512; 241/30-37.5, 101.01-101.2,
241/166-169.1, 172, 199.12, 282.1-282.2,
241/285.1-285.3, 291, 292.1; 366/64-67,
366/98, 129, 142-144, 197-211, 241-254,
366/262, 279-292, 325.8, 325.92, 341-347;
416/75-77, 70 R, 163

See application file for complete search history.

(56) **References Cited**

U.S. PATENT DOCUMENTS

D347,966 S * 6/1994 Doggett D7/378
6,092,922 A * 7/2000 Kett et al. 366/205

D484,357 S * 12/2003 Seum et al. D7/378
D537,674 S * 3/2007 Davenport et al. D7/378
D538,595 S * 3/2007 White et al. D7/413
D577,537 S * 9/2008 Lee D7/386
D580,216 S * 11/2008 Ryan D7/384
D611,760 S * 3/2010 Ball D7/378
D625,141 S * 10/2010 Moore D7/378
D625,142 S * 10/2010 Moore D7/384
D625,143 S * 10/2010 Moore et al. D7/384
D625,144 S * 10/2010 Moore D7/384
D658,430 S * 5/2012 Hoare et al. D7/386

* cited by examiner

Primary Examiner — Ricky Pham

(74) *Attorney, Agent, or Firm* — Molins & Co

(57) **CLAIM**

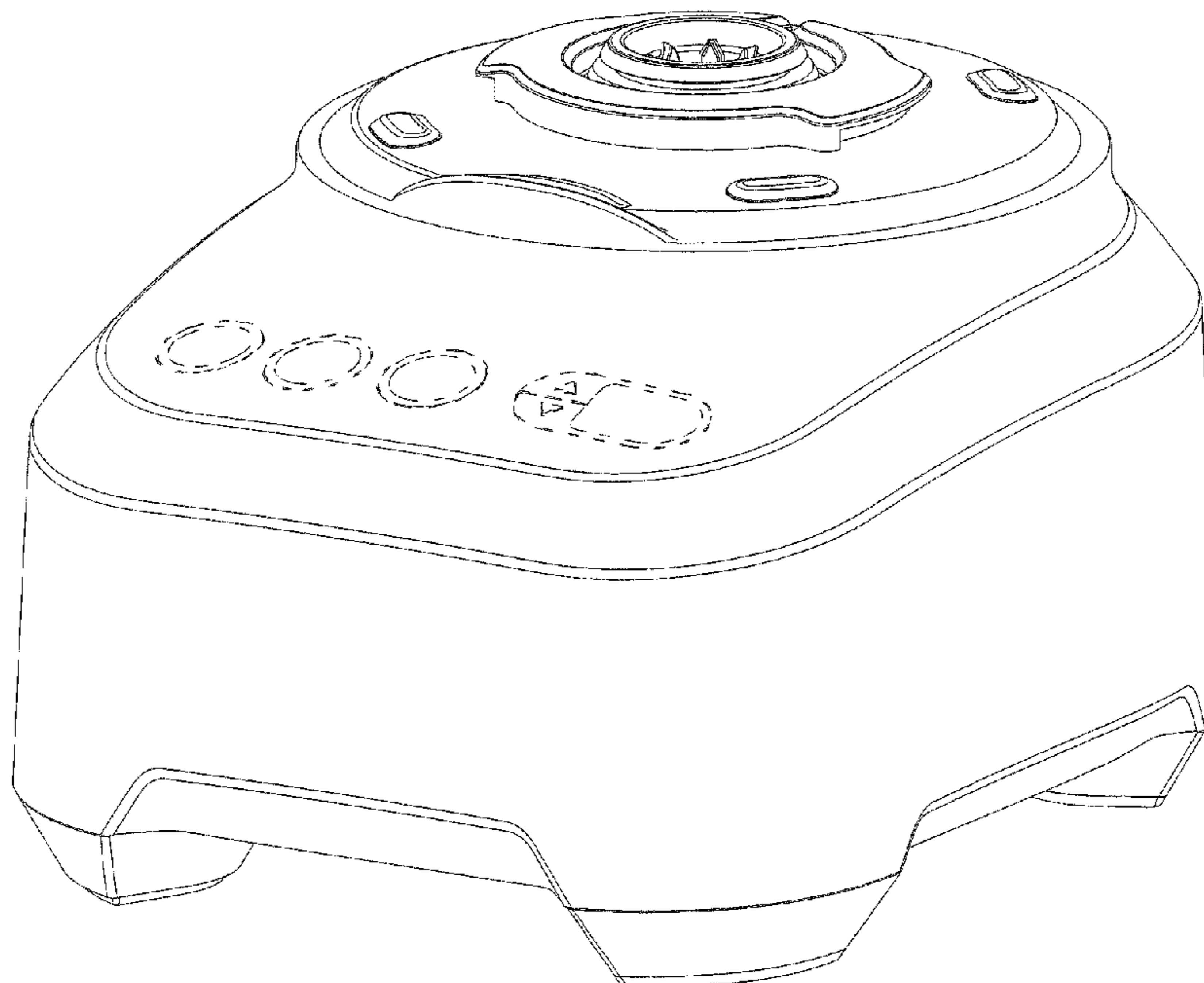
The ornamental design for a food processor base, as shown and described.

DESCRIPTION

FIG. 1 is a front perspective view of a food processor base showing our new design;
FIG. 2 is a rear perspective view thereof;
FIG. 3 is a front view thereof;
FIG. 4 is a right view thereof;
FIG. 5 is a rear view thereof;
FIG. 6 is a left view thereof;
FIG. 7 is a top view thereof; and,
FIG. 8 is a bottom view thereof.

The broken lines shown in the drawings are for illustrative purposes only and form no part of the claimed design.

1 Claim, 8 Drawing Sheets



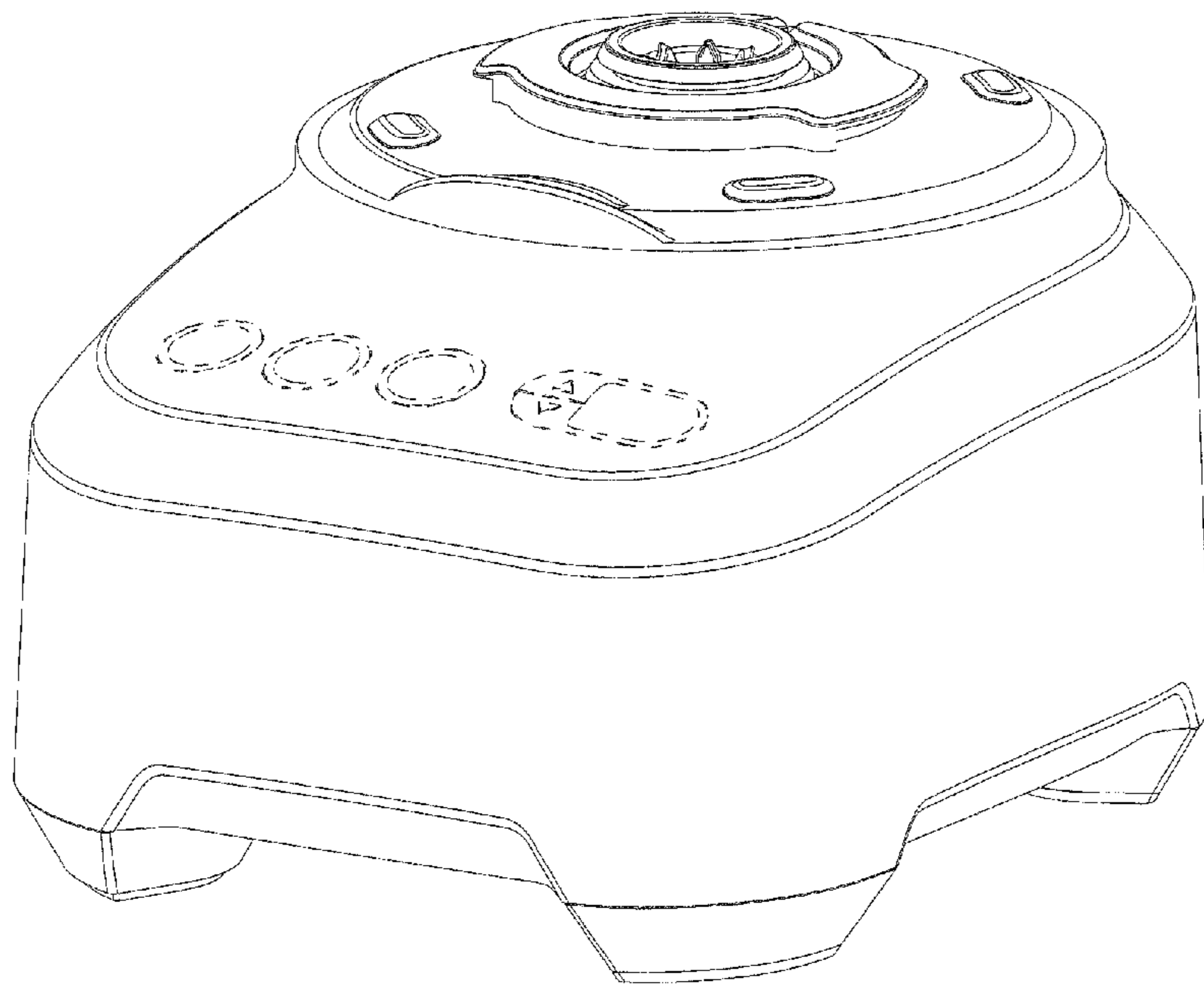


FIG. 1

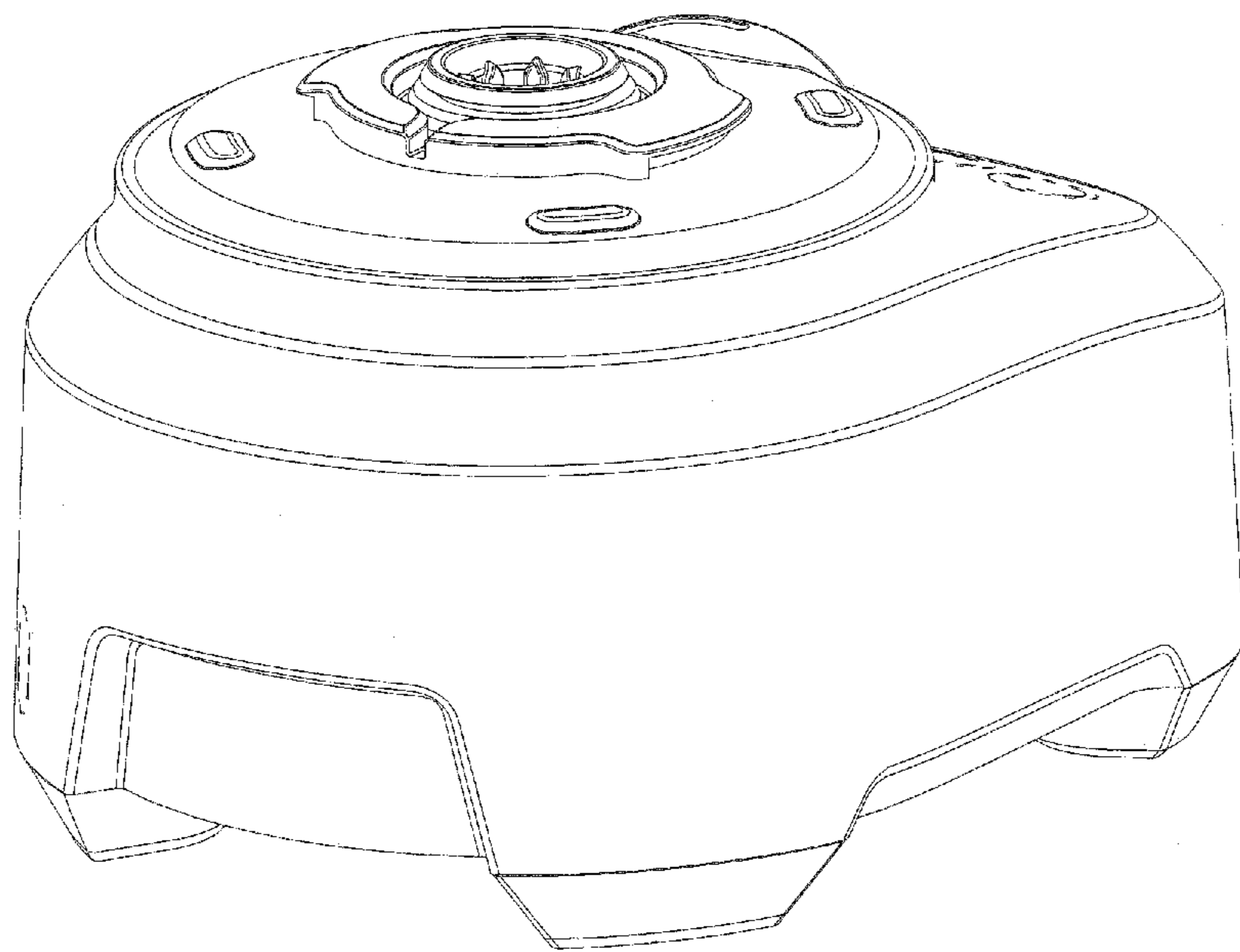


FIG. 2

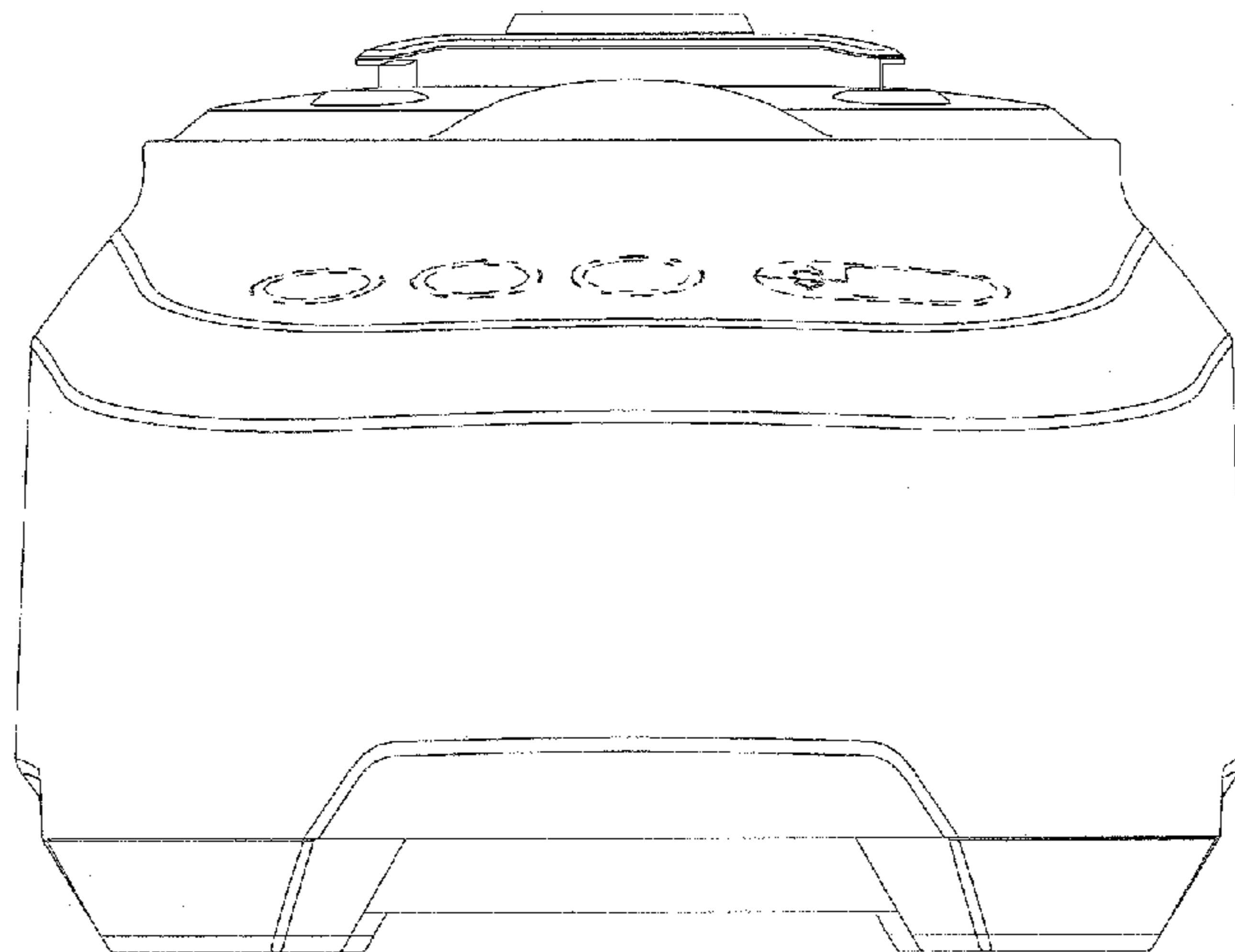


FIG. 3

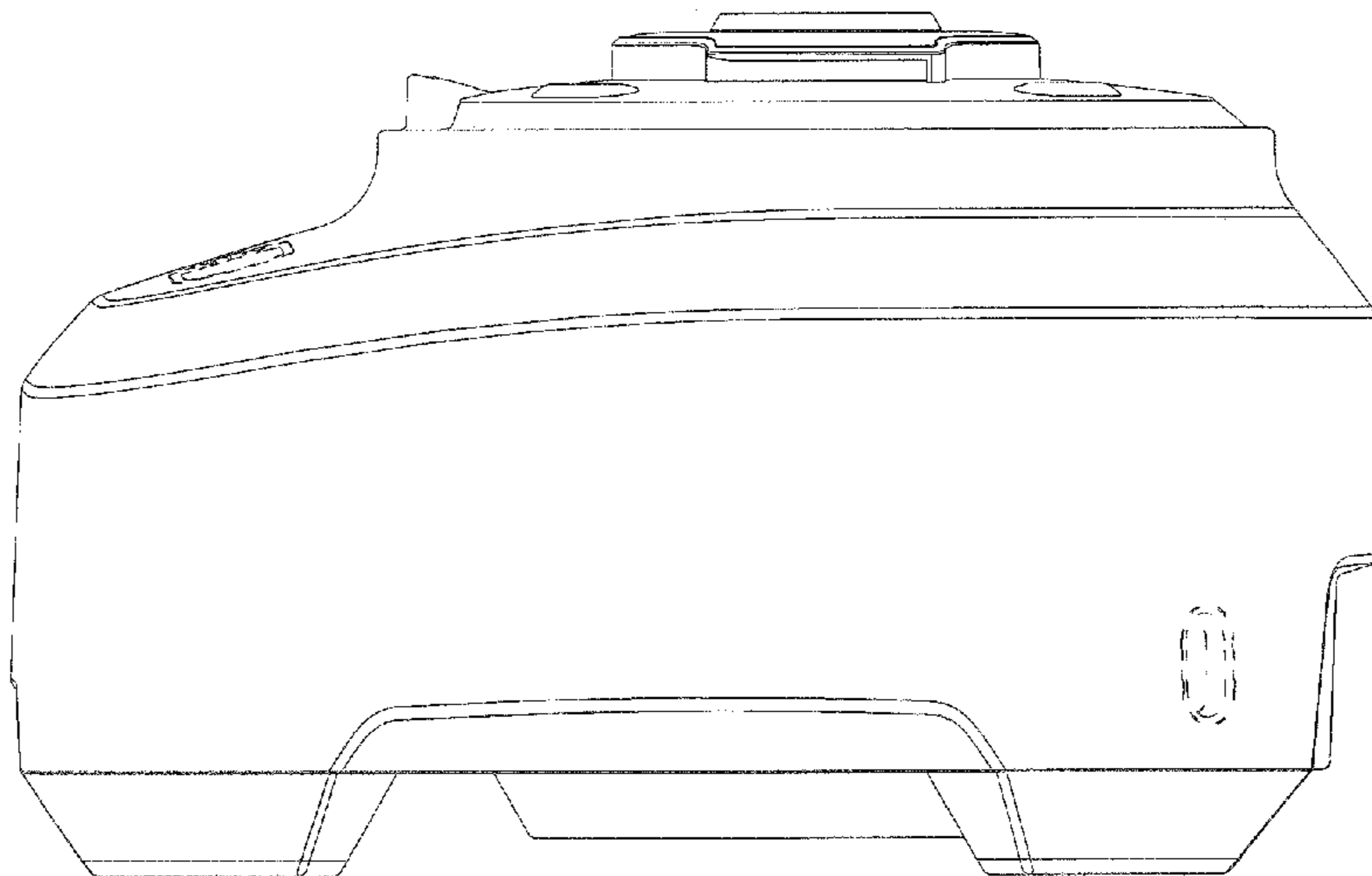


FIG. 4

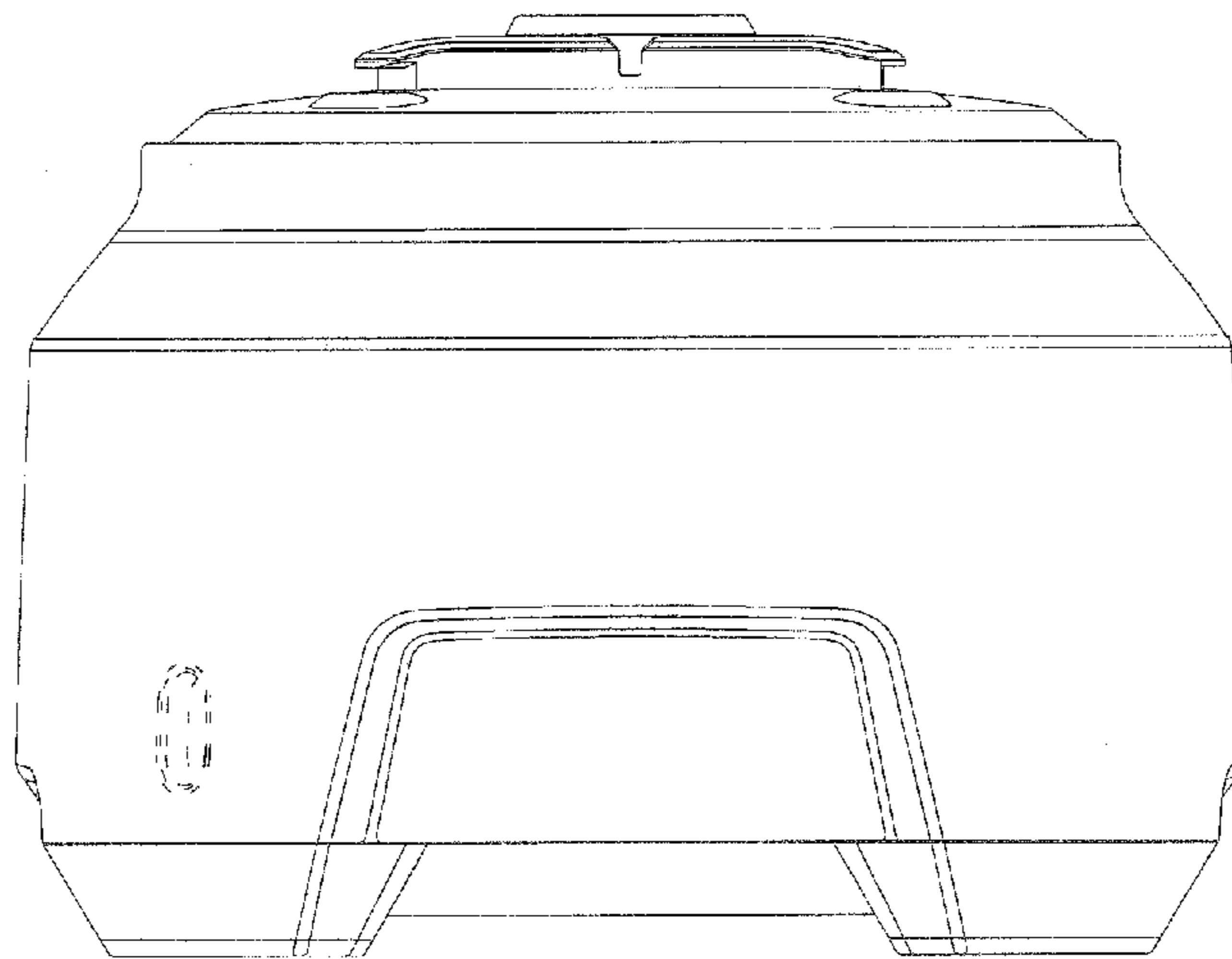


FIG. 5

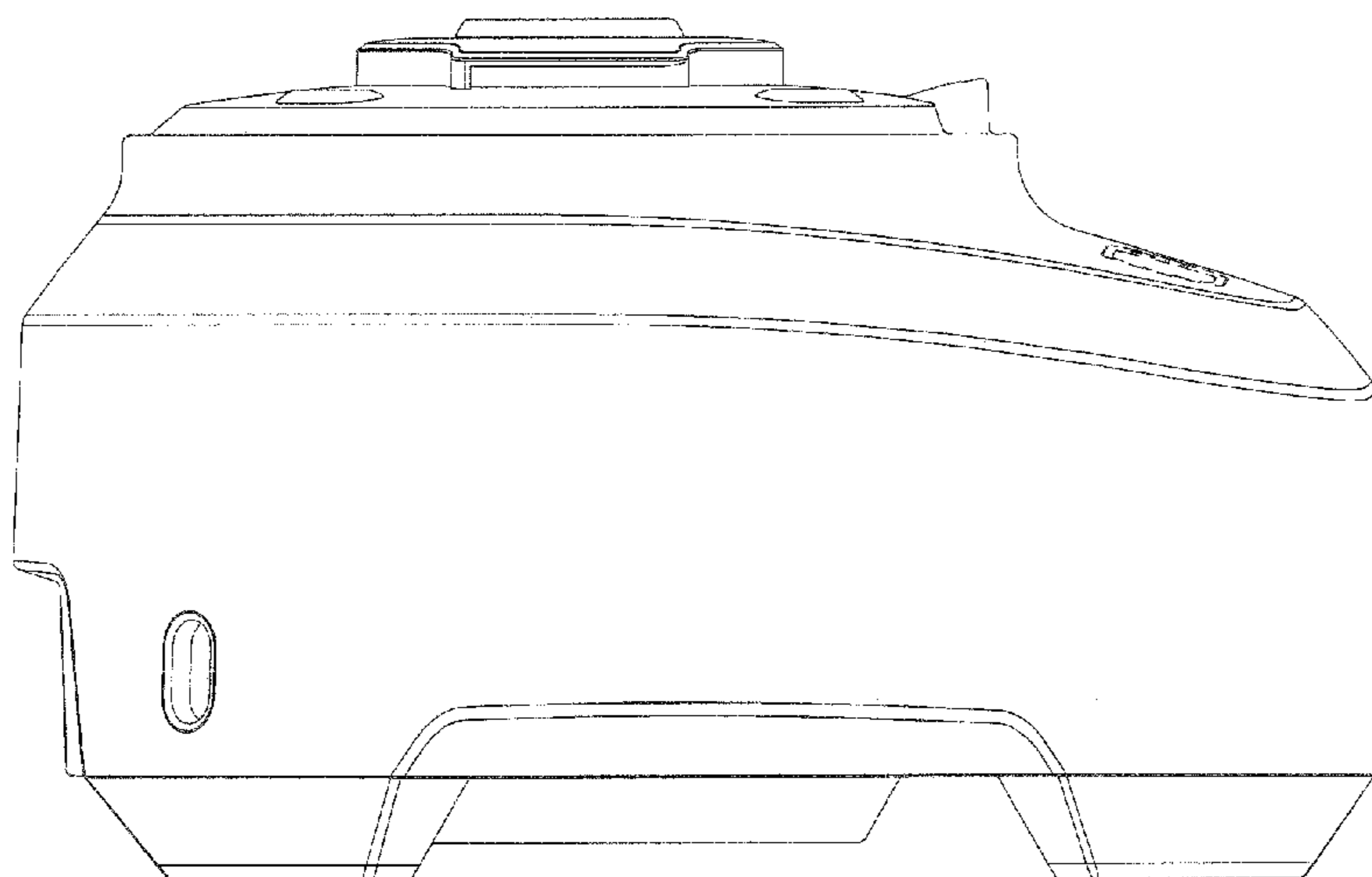


FIG. 6

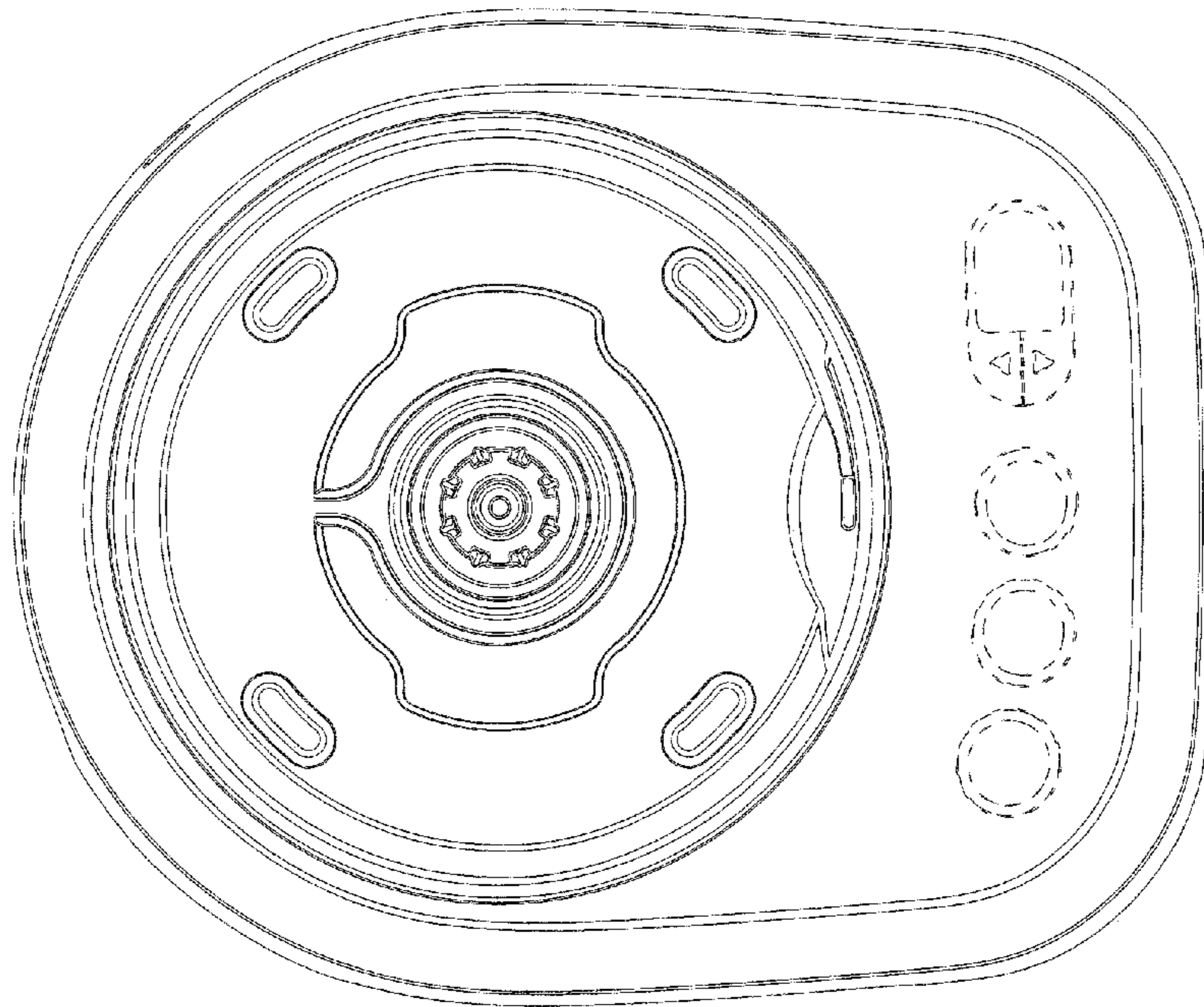


FIG. 7

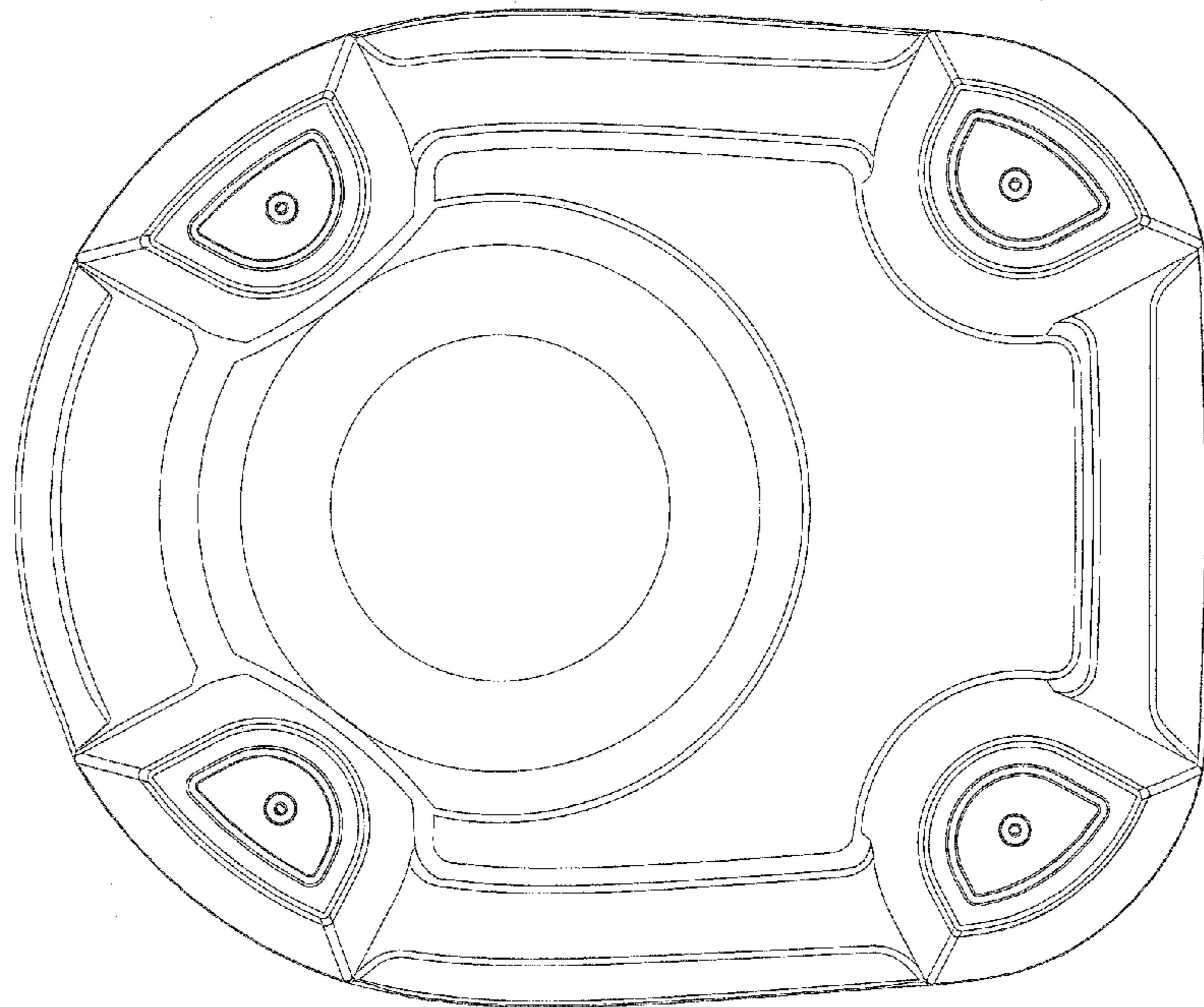


FIG. 8