



US00D668497S

(12) **United States Design Patent**
Hixon

(10) **Patent No.:** **US D668,497 S**
(45) **Date of Patent:** **** Oct. 9, 2012**

(54) **DRINK DISPENSER**

(76) Inventor: **Shawnette Hixon**, Franklin, OH (US)

(**) Term: **14 Years**

(21) Appl. No.: **29/387,985**

(22) Filed: **Mar. 22, 2011**

(51) **LOC (9) Cl.** **07-01**

(52) **U.S. Cl.** **D7/301; D7/306**

(58) **Field of Classification Search** D7/306–308,
D7/301, 300, 309–311; D23/207, 209; D20/5;
210/335; 220/23.83, 435; 99/295; D9/646
See application file for complete search history.

(56) **References Cited**

U.S. PATENT DOCUMENTS

D42,959 S *	9/1912	Cordley	D7/301
D45,038 S *	12/1913	Williams	D24/207
D47,948 S *	10/1915	Courtney	D7/313
D57,457 S *	3/1921	Ward	D7/301
D57,458 S *	3/1921	Ward	D7/301
D57,952 S *	5/1921	Travis	D7/308
1,499,183 A *	6/1924	Morrison	206/457
D75,449 S *	6/1928	Saugman	D7/301
D78,123 S *	3/1929	Philippeau	D7/301
D83,685 S *	3/1931	Leibinc	D7/301
D93,648 S *	10/1934	Travis	D7/308
D130,876 S *	12/1941	Reid	D9/646
D140,841 S *	4/1945	D'Amato	D9/646
D165,824 S *	2/1952	Collins	D7/301
D249,328 S	9/1978	Fields		

D366,634 S	1/1996	Anderson		
D378,260 S	3/1997	Precelton		
D386,037 S	11/1997	Trahan		
D442,416 S	5/2001	Bedard		
D476,506 S *	7/2003	Sneider	D6/450
D489,930 S	5/2004	Tse		
D489,971 S	5/2004	Tamez		
D575,079 S *	8/2008	Hirsh	D6/434
D577,601 S	9/2008	Kao		
D604,086 S *	11/2009	Lipinski et al.	D7/301
D611,287 S *	3/2010	Lochen	D7/301
D632,519 S *	2/2011	Zimmermann	D7/301
D650,245 S *	12/2011	Abrams	D7/628

* cited by examiner

Primary Examiner — Marianne Pandozzi

(74) *Attorney, Agent, or Firm* — R. William Graham

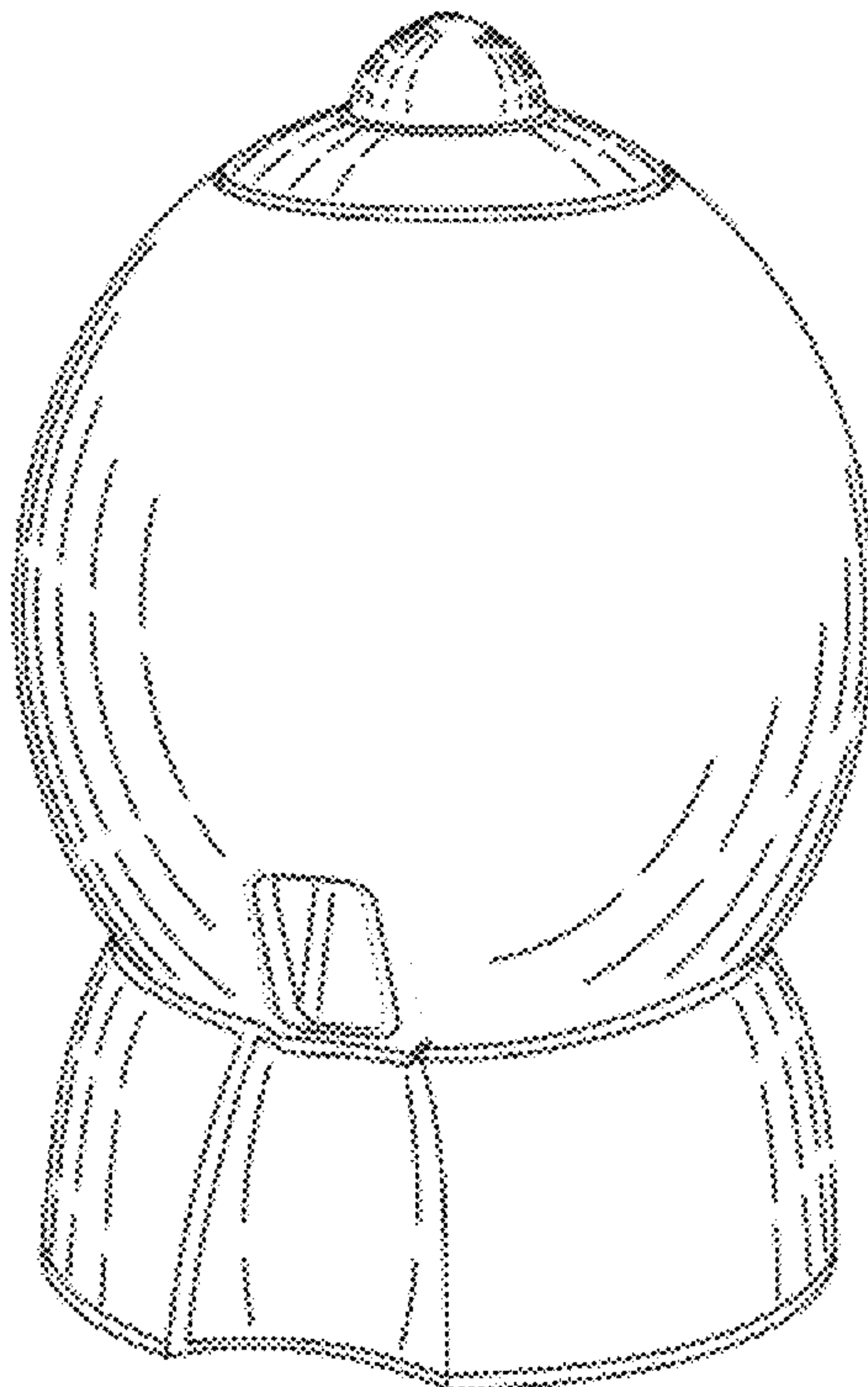
(57) **CLAIM**

The ornamental design for a drink dispenser, as shown and described.

DESCRIPTION

FIG. 1 is a front, side perspective view of a drink dispenser showing my new design;
FIG. 2 is a rear perspective view thereof;
FIG. 3 is a front perspective view thereof;
FIG. 4 is a top plan view thereof;
FIG. 5 is a rear perspective view thereof; and,
FIG. 6 is bottom plan view thereof.
The broken lines in the drawings are included for the purpose of illustration and form no part of the claimed design.

1 Claim, 2 Drawing Sheets



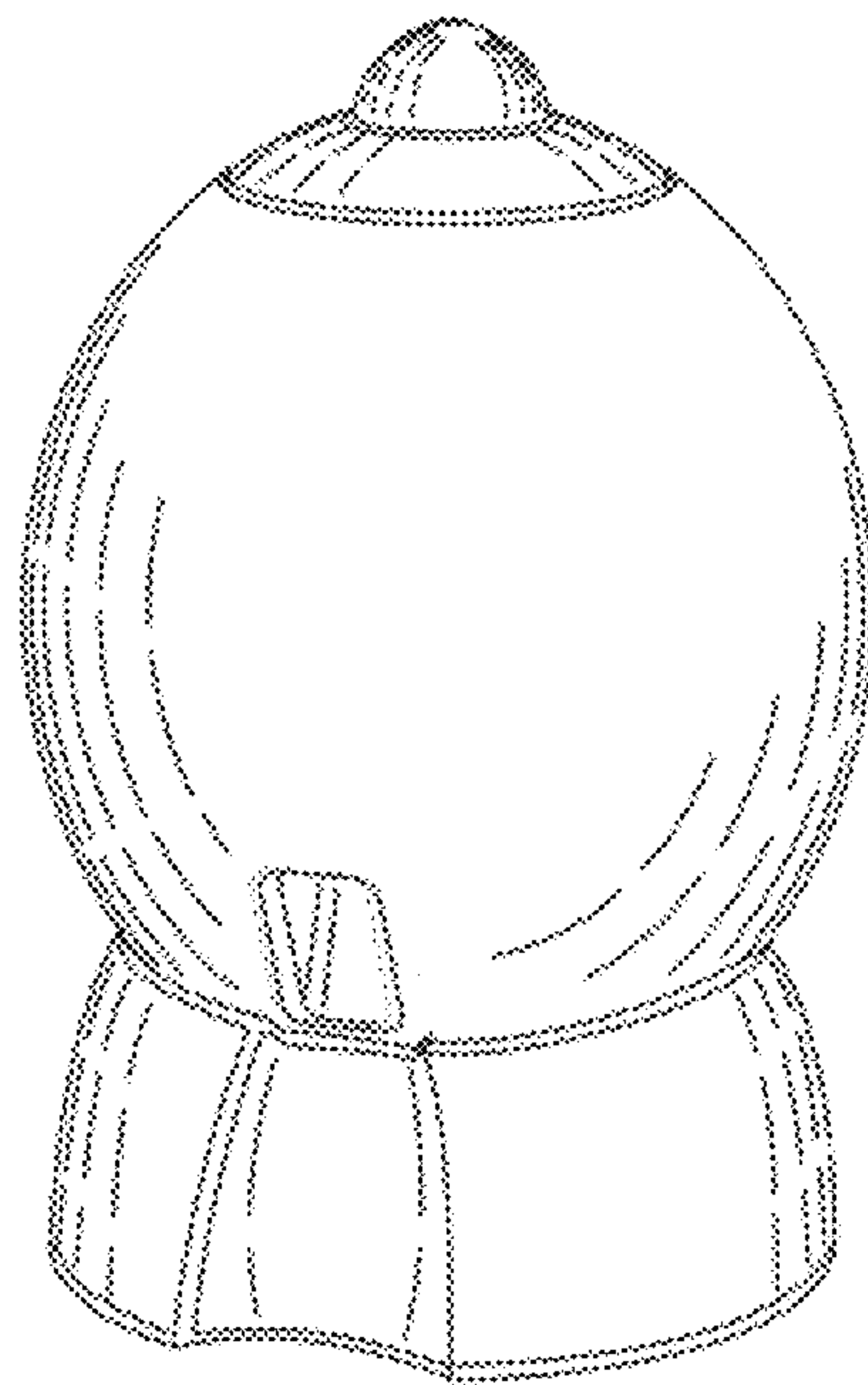


Fig. 1

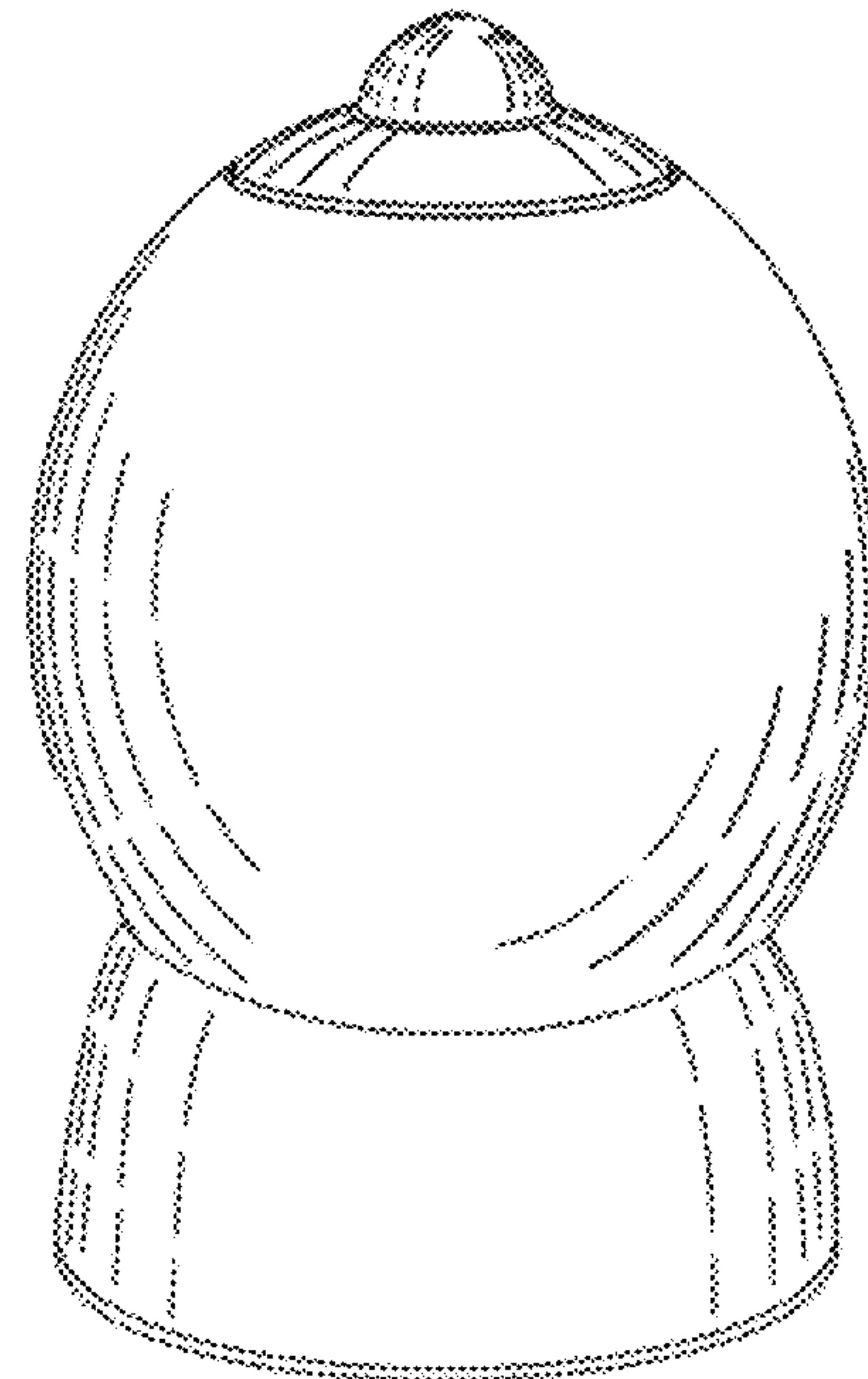


Fig. 2

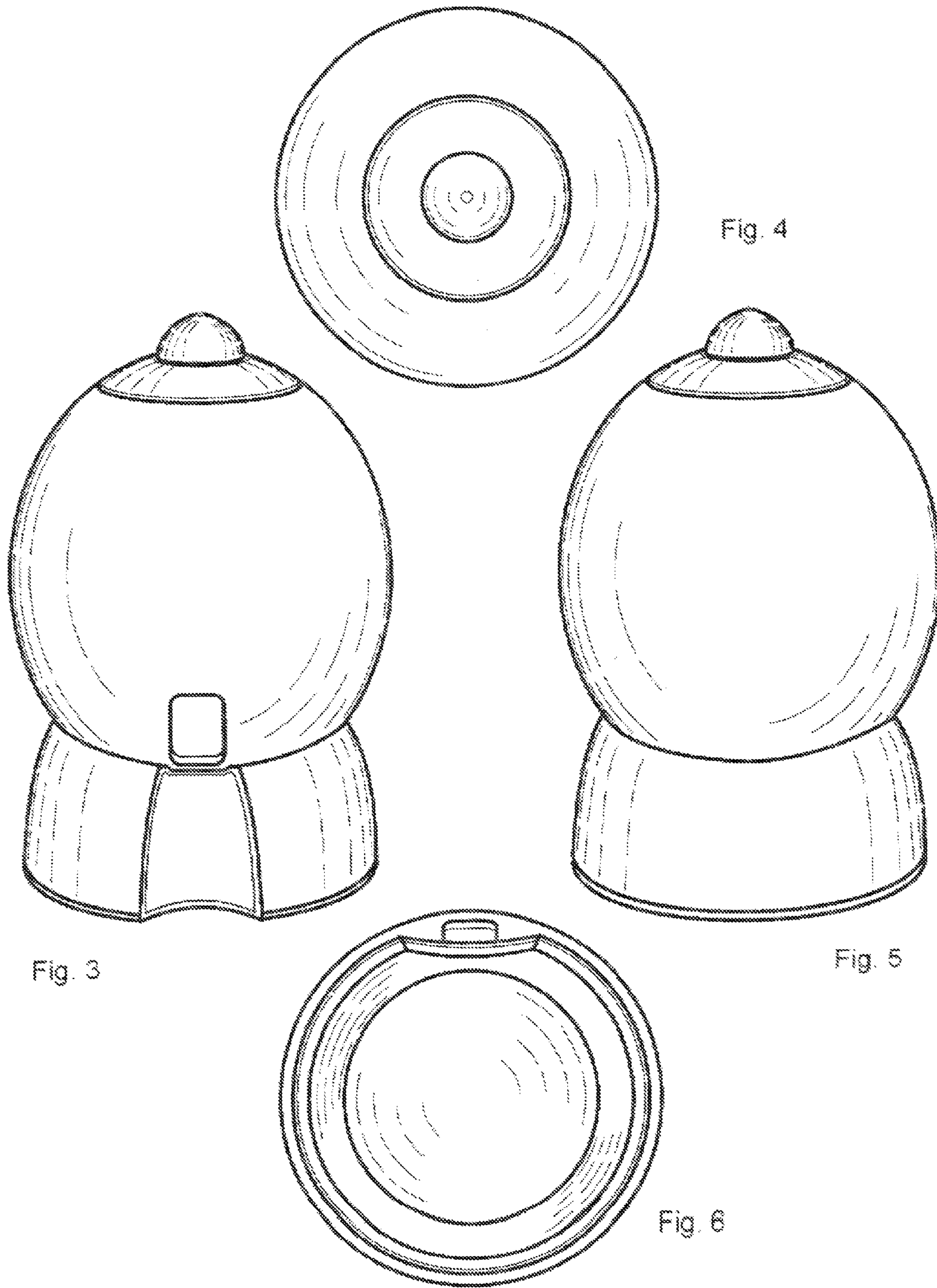


Fig. 3

Fig. 4

Fig. 5

Fig. 6