

US00D668496S

(12) **United States Design Patent**
Ho et al.

(10) **Patent No.:** **US D668,496 S**

(45) **Date of Patent:** **** Oct. 9, 2012**

(54) **SCOURING PAD HOLDER**

(75) Inventors: **Hsin Kun Ho**, New Taipei (TW); **Po Lin Fu**, New Taipei (TW)

(73) Assignee: **3M Innovative Properties Company**,
St. Paul, MN (US)

(**) Term: **14 Years**

(21) Appl. No.: **29/384,227**

(22) Filed: **Jan. 28, 2011**

(51) **LOC (9) Cl.** **06-04**

(52) **U.S. Cl.** **D6/553**

(58) **Field of Classification Search** D6/553,
D6/540, 567, 574; D3/201, 304, 315, 901;
211/13.1, 85.1, 82.12, 70.6, 86.01, 87.01,
211/119.009, 126.1; 206/77.1, 5, 207, 349,
206/361, 363, 812

See application file for complete search history.

(56) **References Cited**

U.S. PATENT DOCUMENTS

D322,002 S * 12/1991 Emery D6/567
D409,426 S * 5/1999 Hampshire D6/567

D453,651 S * 2/2002 Snell D6/553
D532,234 S * 11/2006 Snell D6/567
D566,361 S * 4/2008 Snell D6/567
D636,201 S * 4/2011 Kolano et al. D6/553

* cited by examiner

Primary Examiner — Brian N Vinson

(74) *Attorney, Agent, or Firm* — David B. Patchett; Irina Hass

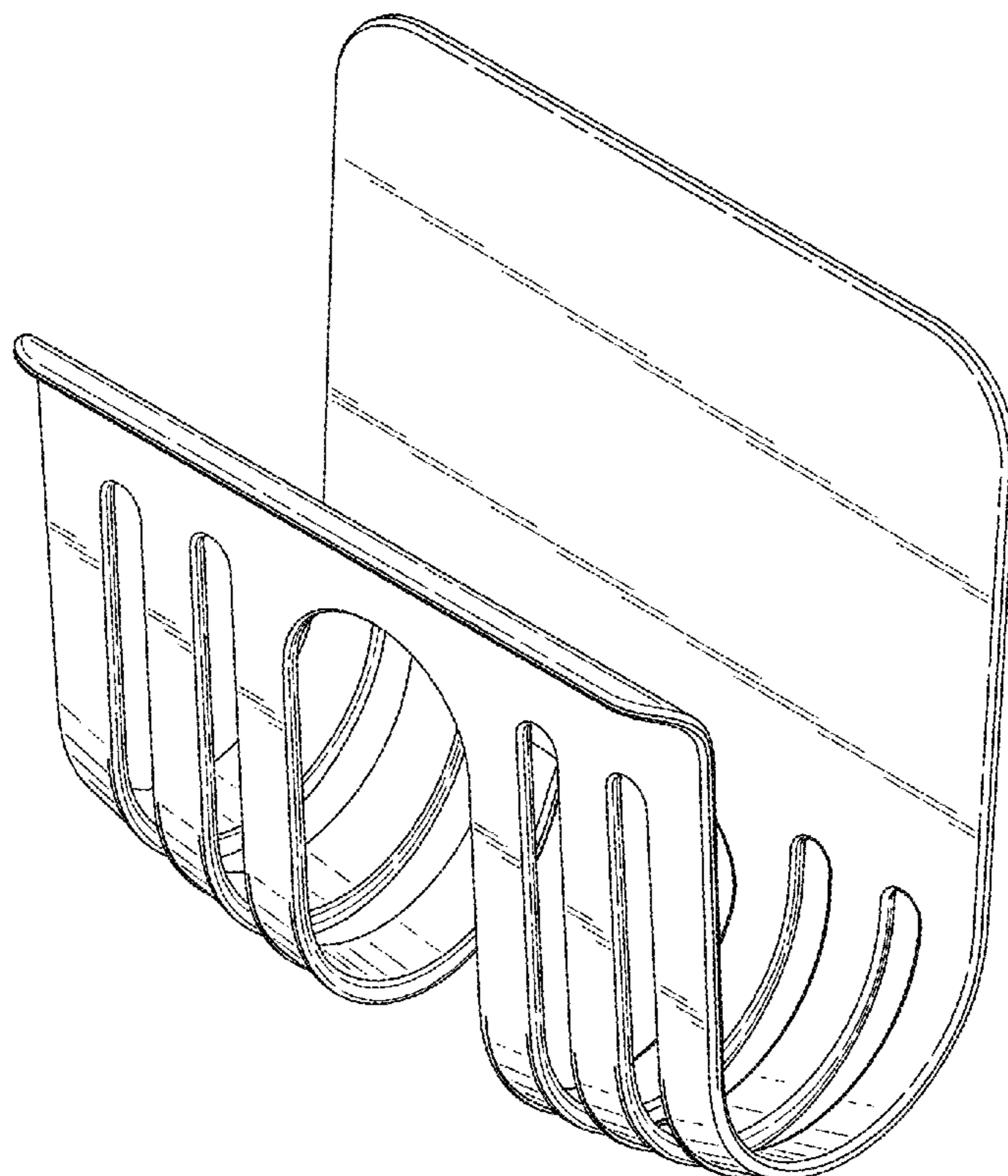
(57) **CLAIM**

The ornamental design for a scouring pad holder, as shown and described.

DESCRIPTION

FIG. 1 is a perspective view of a scouring pad holder showing the new design;
FIG. 2 is a front view thereof;
FIG. 3 is a back view thereof;
FIG. 4 is a left side view thereof;
FIG. 5 is a right side view thereof;
FIG. 6 is a top view thereof; and,
FIG. 7 is a bottom view thereof.

1 Claim, 3 Drawing Sheets



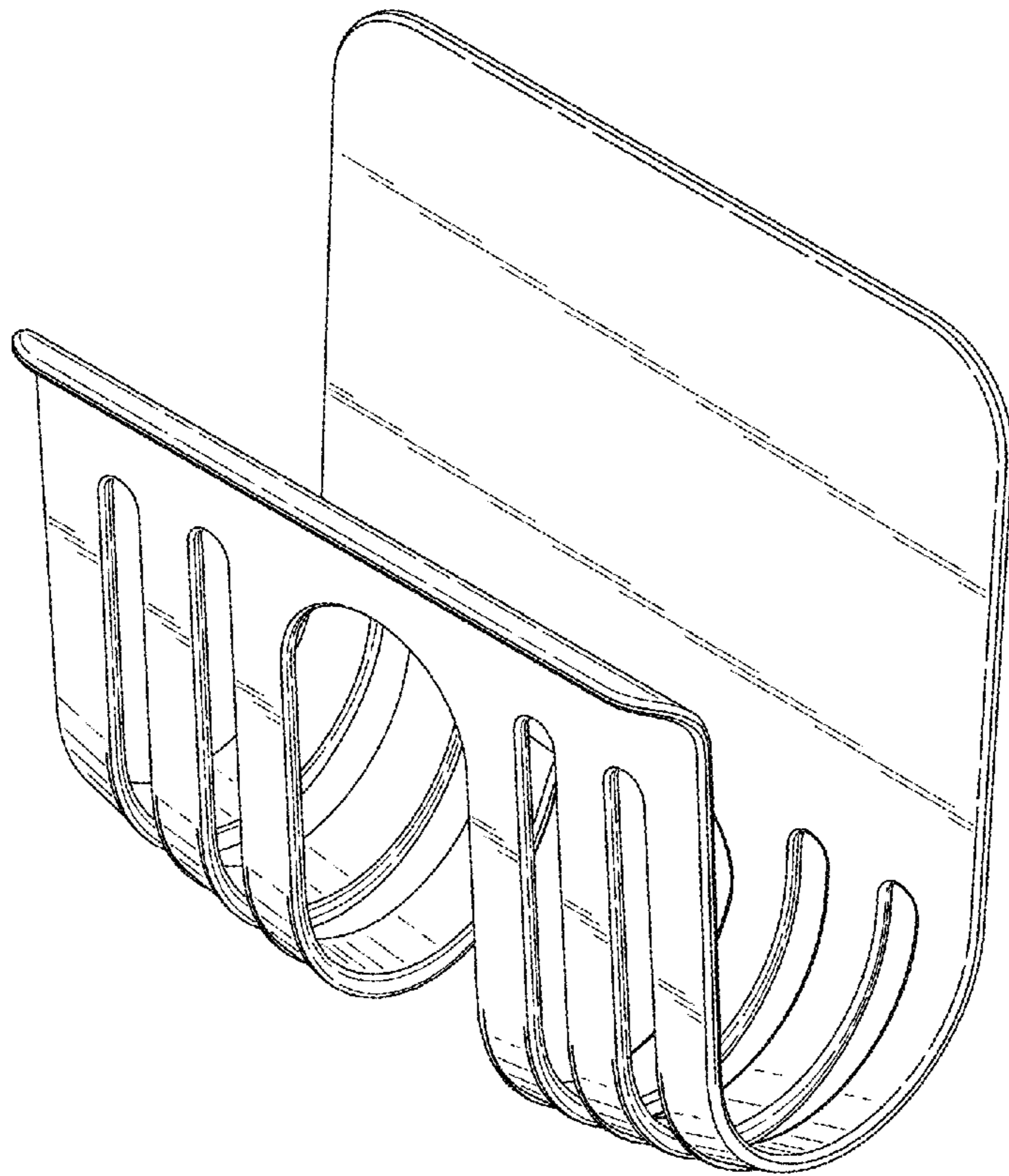


Fig. 1

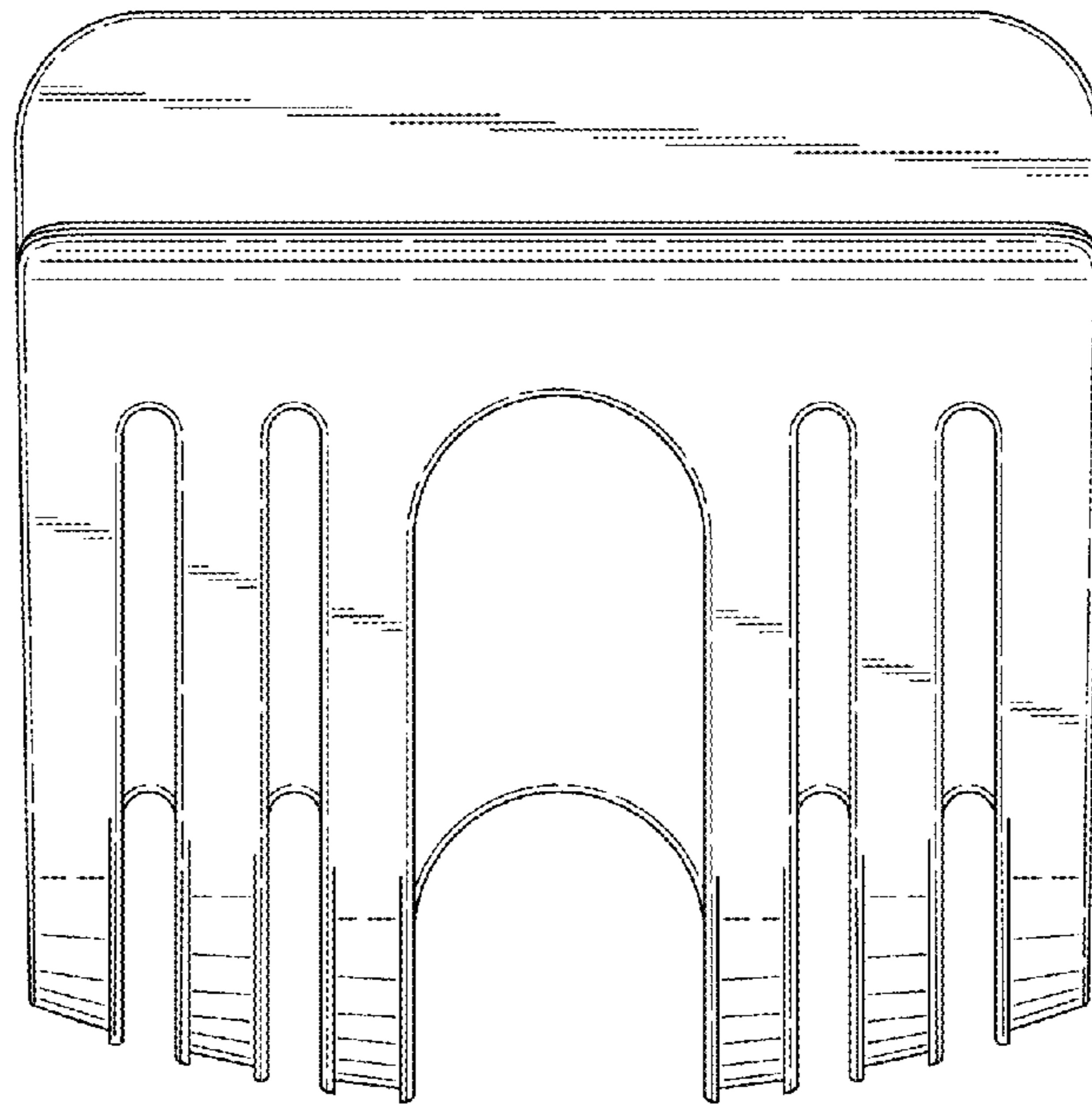


Fig. 2

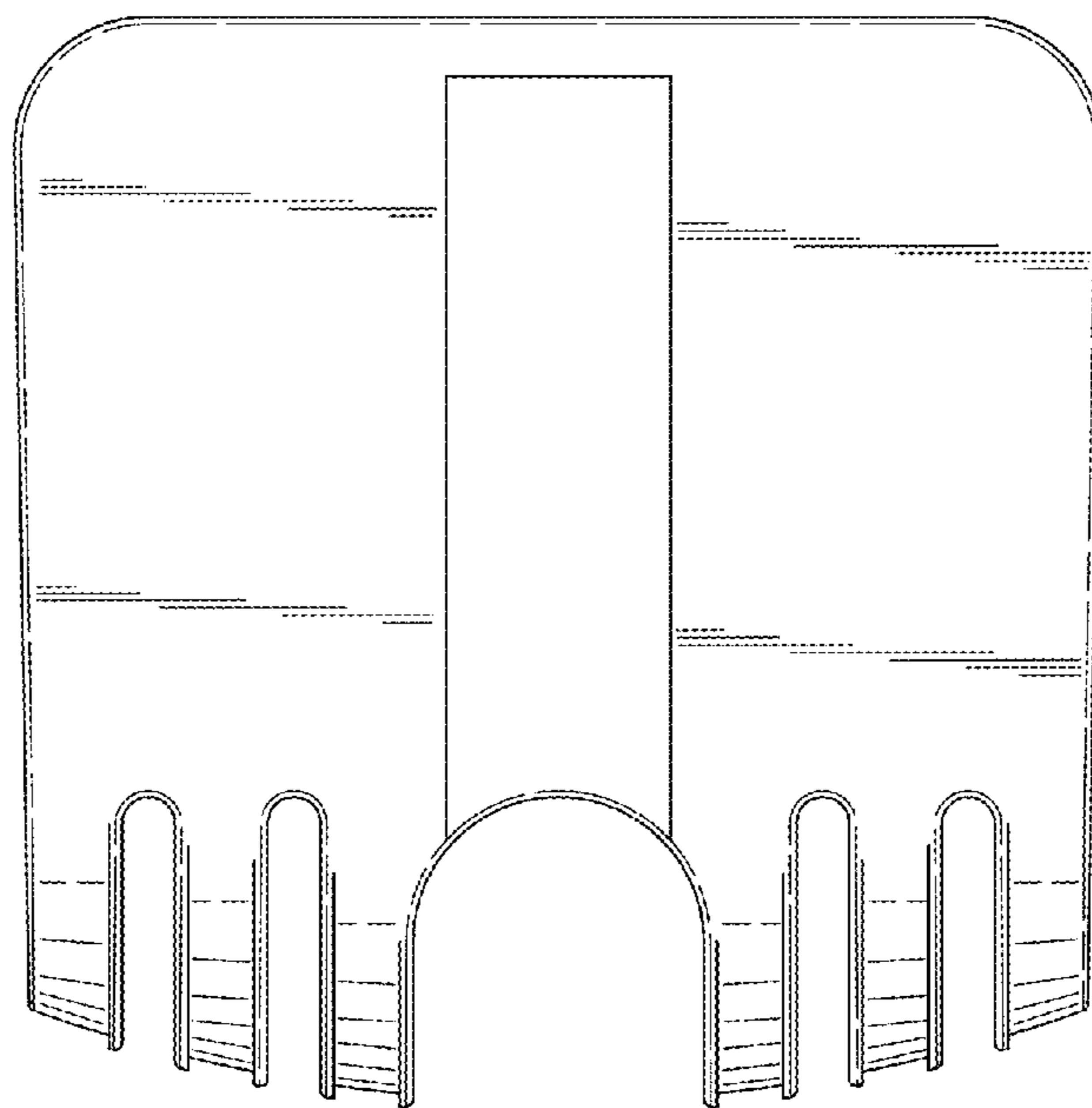


Fig. 3

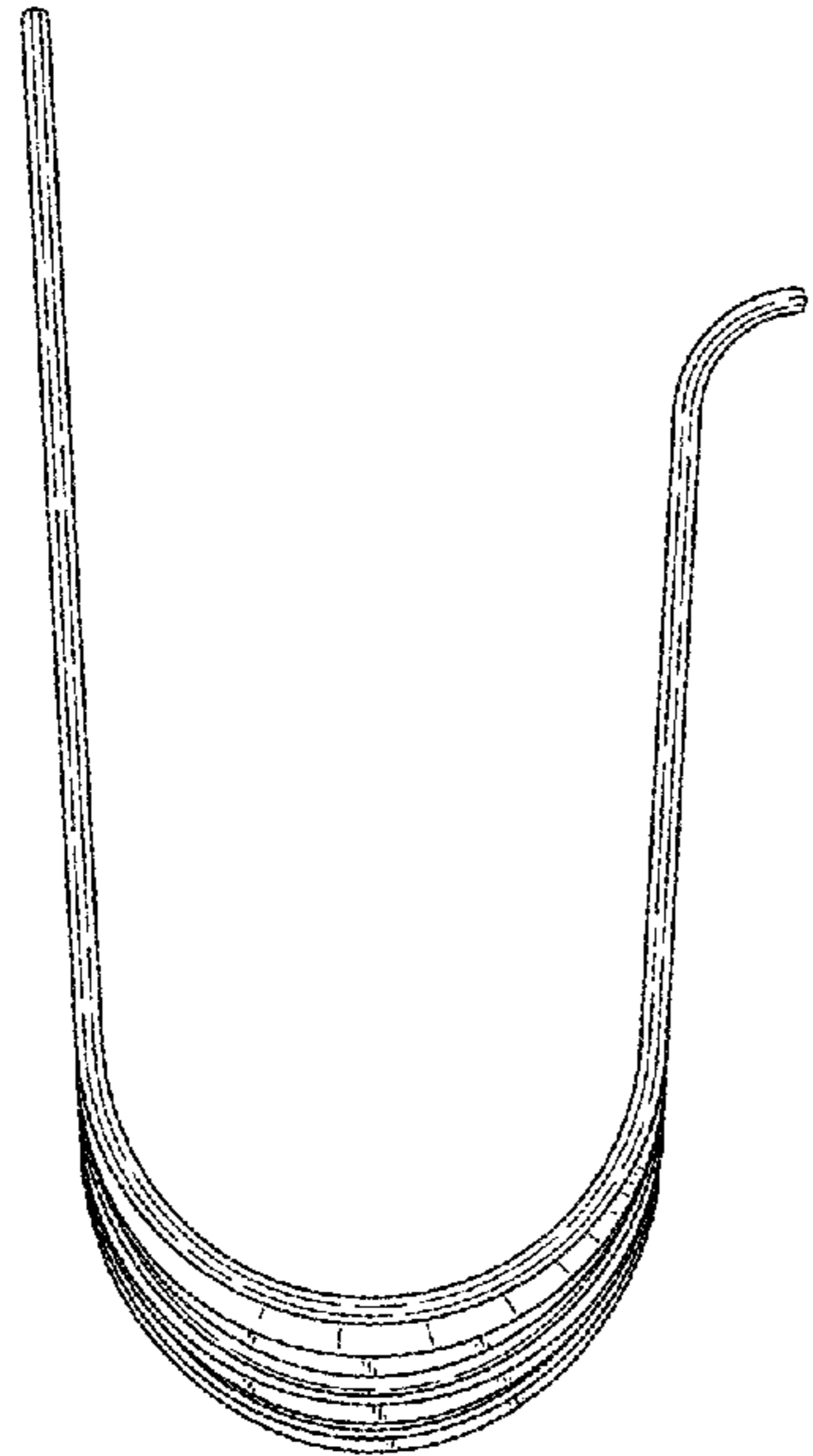


Fig. 4

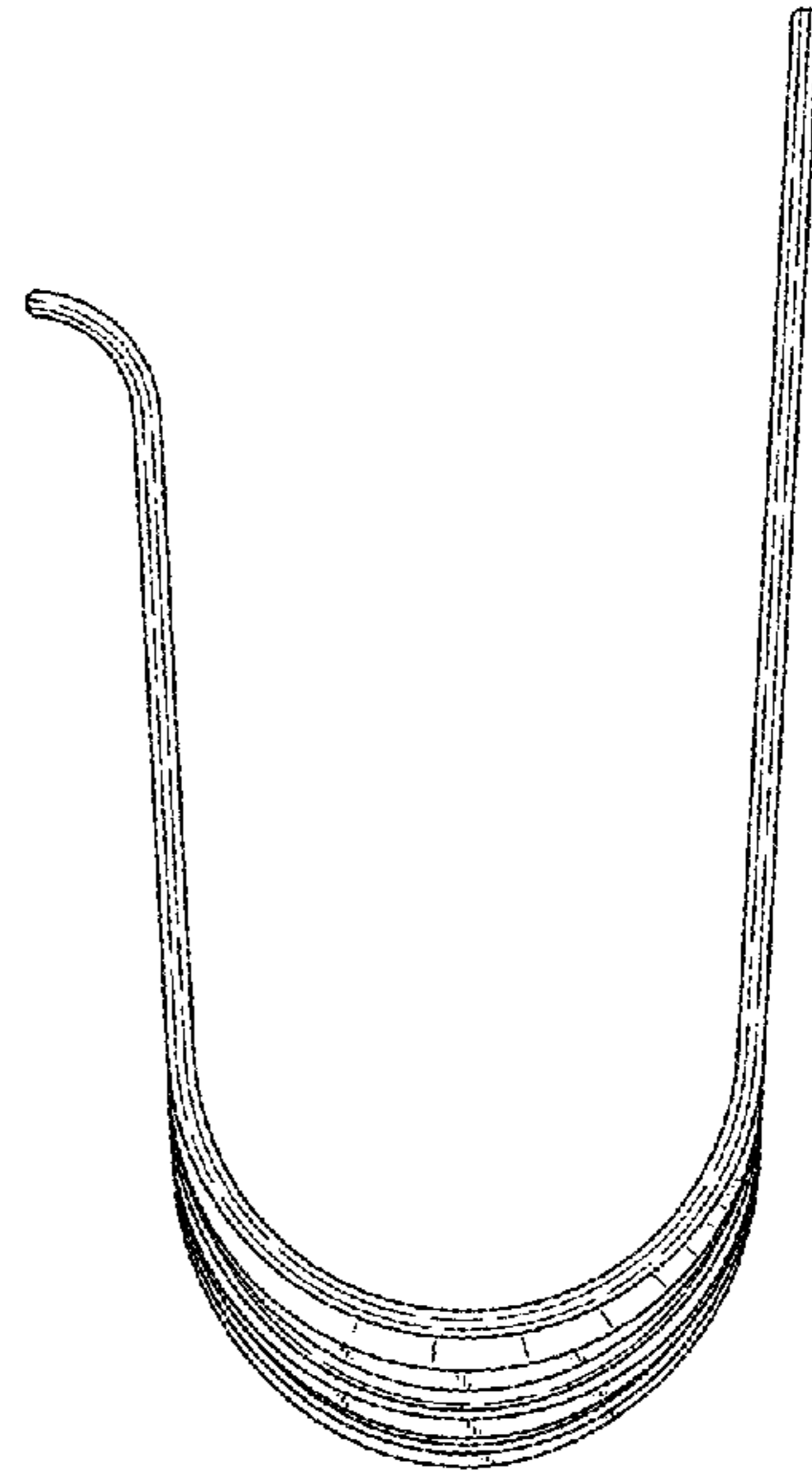


Fig. 5

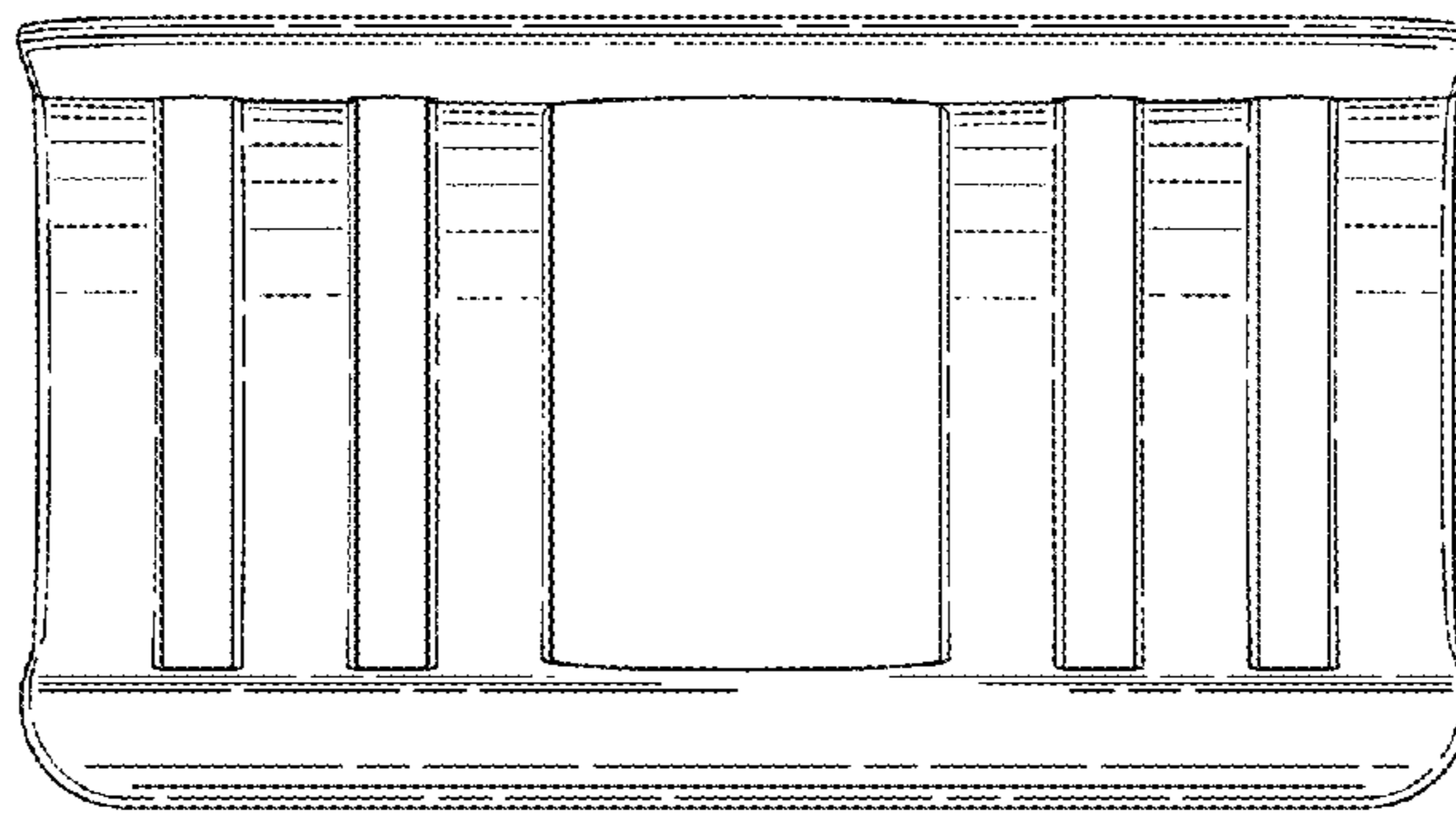


Fig. 6

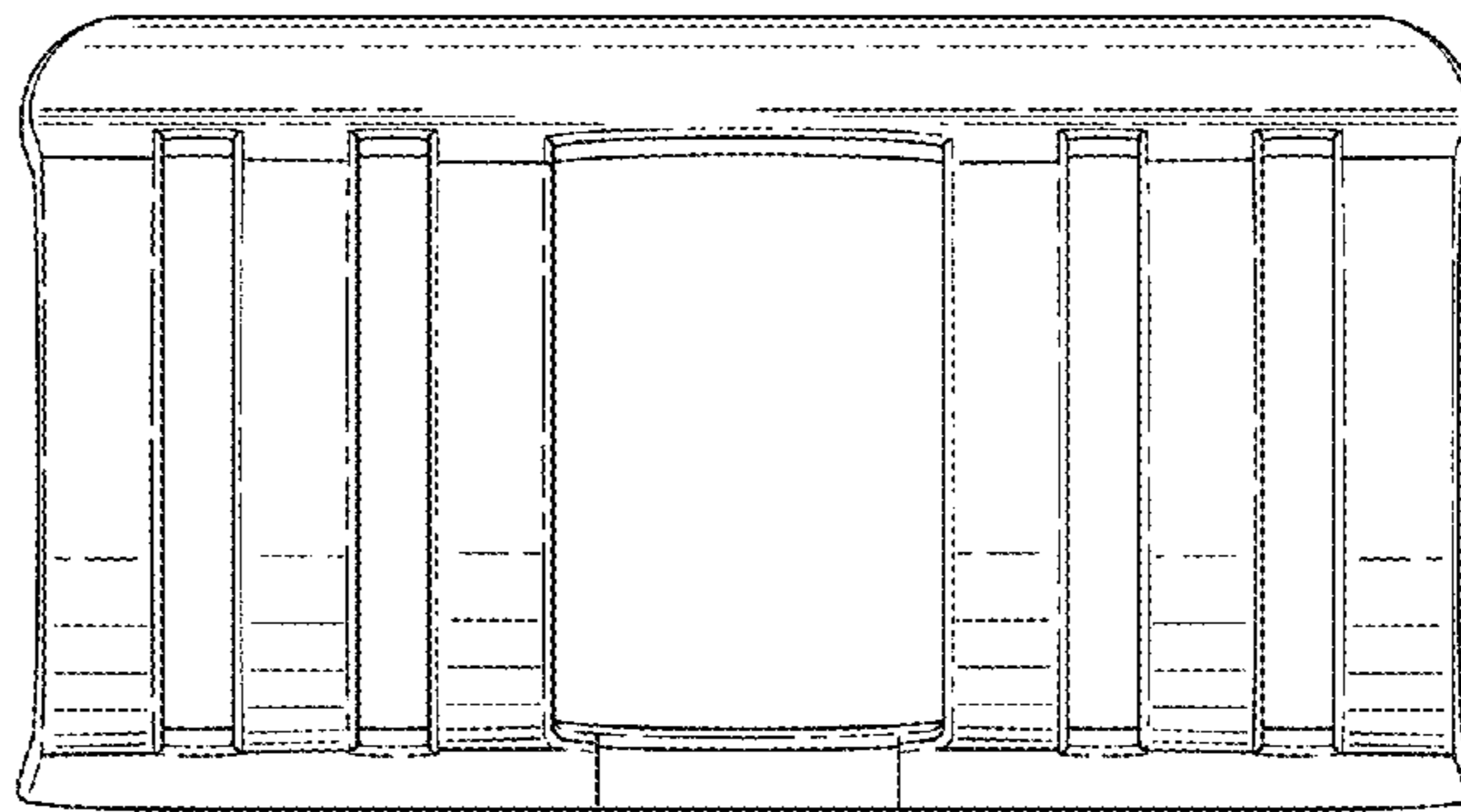


Fig. 7

UNITED STATES PATENT AND TRADEMARK OFFICE
CERTIFICATE OF CORRECTION

PATENT NO. : D668,496 S
APPLICATION NO. : 29/384227
DATED : October 9, 2012
INVENTOR(S) : Hsin-Kun Ho et al.

Page 1 of 1

It is certified that error appears in the above-identified patent and that said Letters Patent is hereby corrected as shown below:

Title Page,

Add Item (30), **Foreign Application Priority Data**, Aug. 02, 2010, CN, 201030260139.2.

Signed and Sealed this
Nineteenth Day of November, 2013



Teresa Stanek Rea
Deputy Director of the United States Patent and Trademark Office